



US00D916254S

(12) **United States Design Patent** (10) **Patent No.:** **US D916,254 S**  
**Moller et al.** (45) **Date of Patent:** **\*\* Apr. 13, 2021**

(54) **SINK**

(71) Applicant: **Kohler Co.**, Kohler, WI (US)

(72) Inventors: **Adam M. Moller**, Grafton, WI (US);  
**Shawn J. Booth**, Sheboygan, WI (US);  
**Richard C. Kong**, Sheboygan, WI (US);  
**Carlos F. Uceda**, Sheboygan, WI (US)

(73) Assignee: **Kohler Co.**, Kohler, WI (US)

(\*\*) Term: **15 Years**

(21) Appl. No.: **29/692,260**

(22) Filed: **May 23, 2019**

(51) **LOC (13) Cl.** ..... **23-02**

(52) **U.S. Cl.**  
USPC ..... **D23/284**

(58) **Field of Classification Search**  
USPC ..... D23/284, 286, 293.1, 308  
CPC ..... A47B 77/06  
See application file for complete search history.

(56) **References Cited**

**U.S. PATENT DOCUMENTS**

D292,609 S	11/1987	Kolada
D295,671 S	5/1988	Kohler
D307,964 S	5/1990	Sauter et al.
D320,263 S	9/1991	Kohler et al.
D405,875 S	2/1999	Slothower et al.
D443,049 S	5/2001	Kuo
D492,396 S	6/2004	Sutopo
D507,042 S	7/2005	Sutopo
D652,492 S	1/2012	Slothower et al.

(Continued)

*Primary Examiner* — Robert A Delehanty

(74) *Attorney, Agent, or Firm* — Lempia Summerfield Katz LLC

(57) **CLAIM**

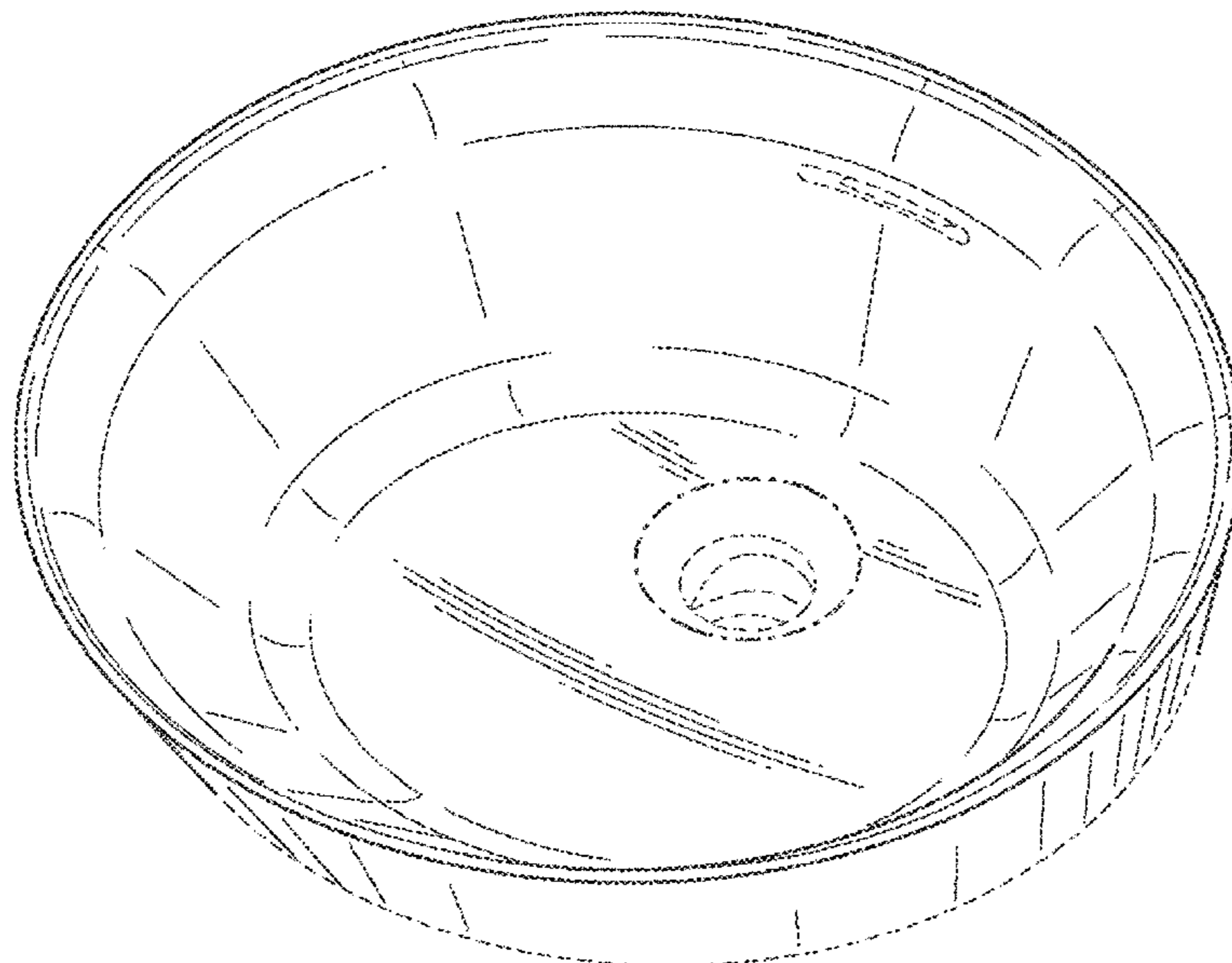
We claim the ornamental design for a sink, as shown and described.

**DESCRIPTION**

FIG. 1 is a perspective view of an embodiment of the claimed design;  
FIG. 2 is a top view of the embodiment of FIG. 1;  
FIG. 3 is a bottom view of the embodiment of FIG. 1;  
FIG. 4 is a front view of the embodiment of FIG. 1;  
FIG. 5 is a rear view of the embodiment of FIG. 1;  
FIG. 6 is a side view of the embodiment of FIG. 1;  
FIG. 7 is another side view of the embodiment of FIG. 1;  
FIG. 8 is a cross-sectional view taken along line 8-8 in FIG. 2;  
FIG. 9 is a cross-sectional view taken along line 9-9 in FIG. 2;  
FIG. 10 is a perspective view of another embodiment of the claimed design;  
FIG. 11 is a top view of the embodiment of FIG. 10;  
FIG. 12 is a bottom view of the embodiment of FIG. 10;  
FIG. 13 is a front view of the embodiment of FIG. 10;  
FIG. 14 is a rear view of the embodiment of FIG. 10;  
FIG. 15 is a side view of the embodiment of FIG. 10;  
FIG. 16 is another side view of the embodiment of FIG. 10;  
FIG. 17 is a cross-sectional view taken along line 39-39 in FIG. 11; and,  
FIG. 18 is a cross-sectional view taken along line 40-40 in FIG. 11.

The ornamental design that is claimed is shown in the drawings as solid lines and surfaces having surface shading: The broken lines in the drawings are for illustrative purposes only and form no part of the claimed design. For example, broken lines formed by equal length dashes show unclaimed portions of the design. Broken lines formed of unequal length dashes (i.e., dash-dot) show boundaries between either claimed and unclaimed portions of the design or between unclaimed and unclaimed portions of the design.

**1 Claim, 12 Drawing Sheets**



(56)

**References Cited**

U.S. PATENT DOCUMENTS

D678,991 S \* 3/2013 Stauffer ..... D23/293.1  
D875,901 S \* 2/2020 LeTourneau ..... D23/284

\* cited by examiner

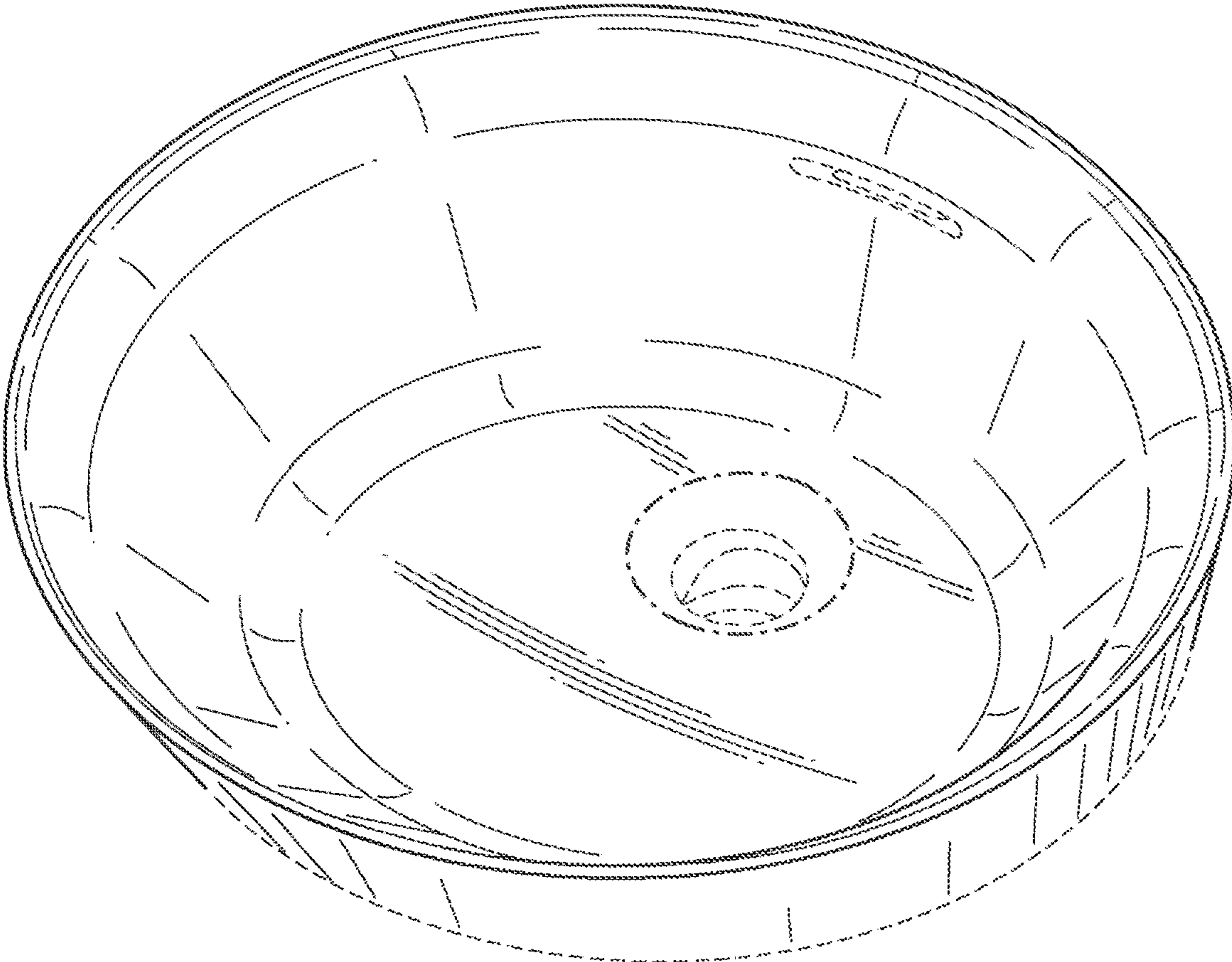


FIG. 1

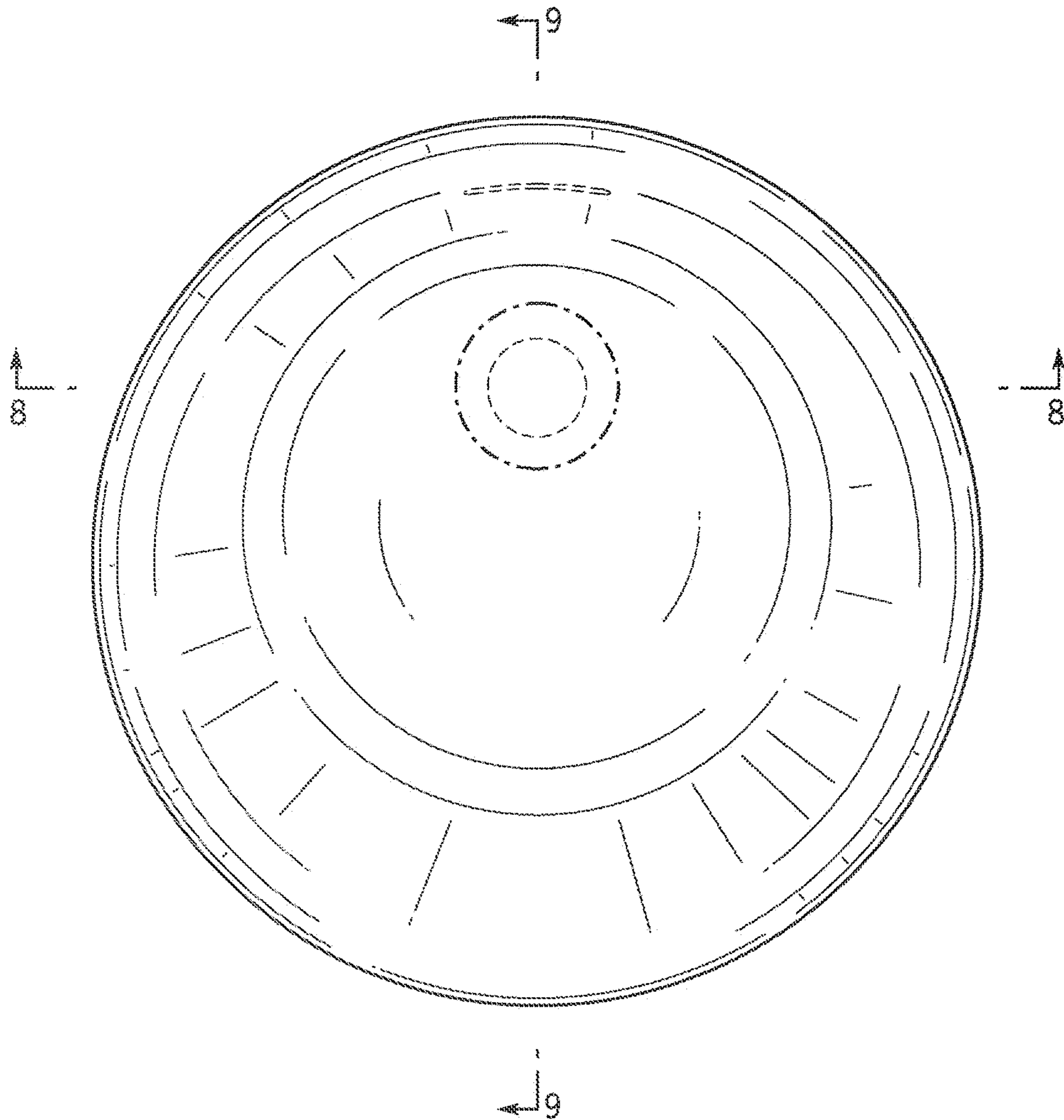


FIG. 2



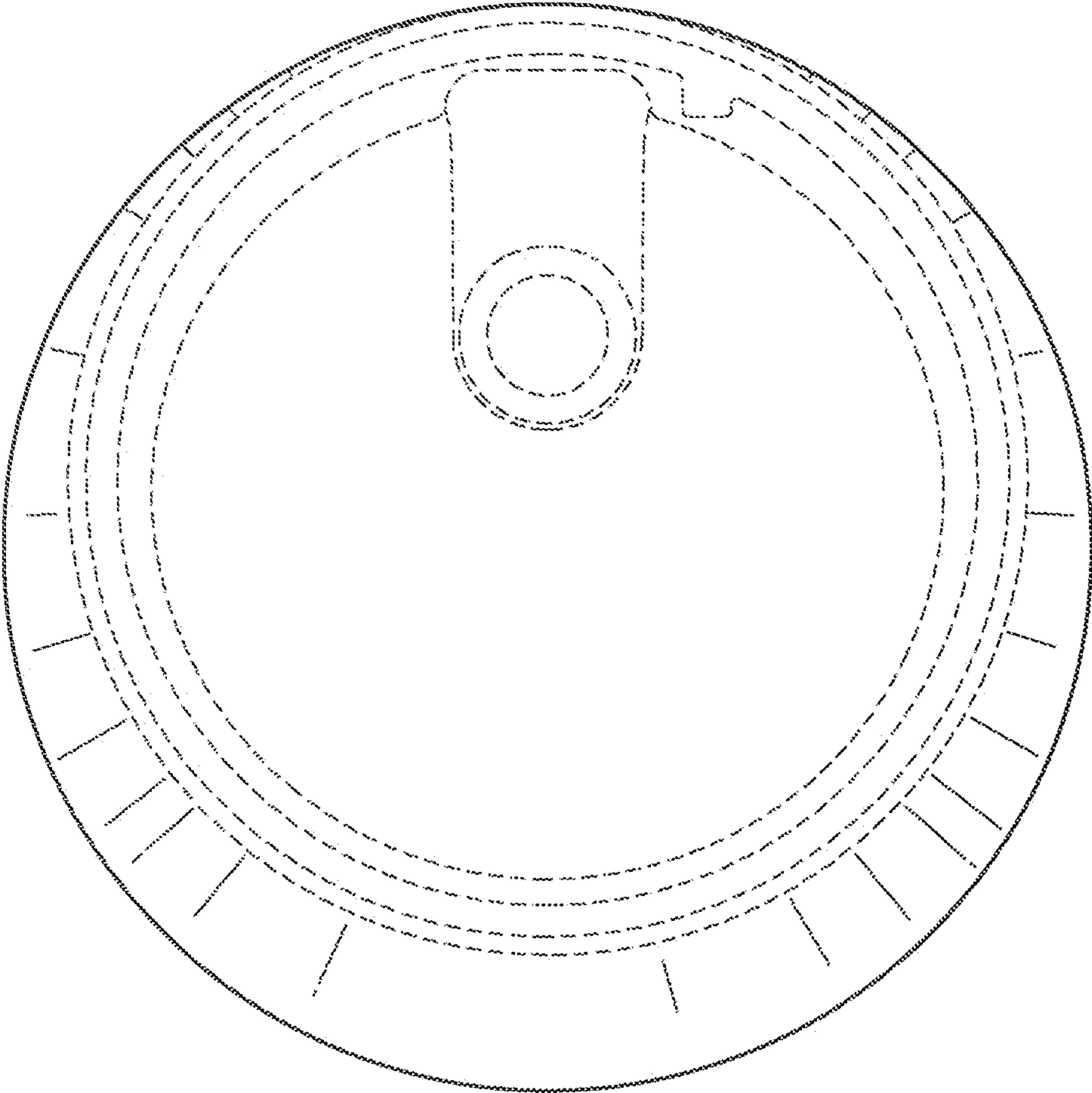


FIG. 3

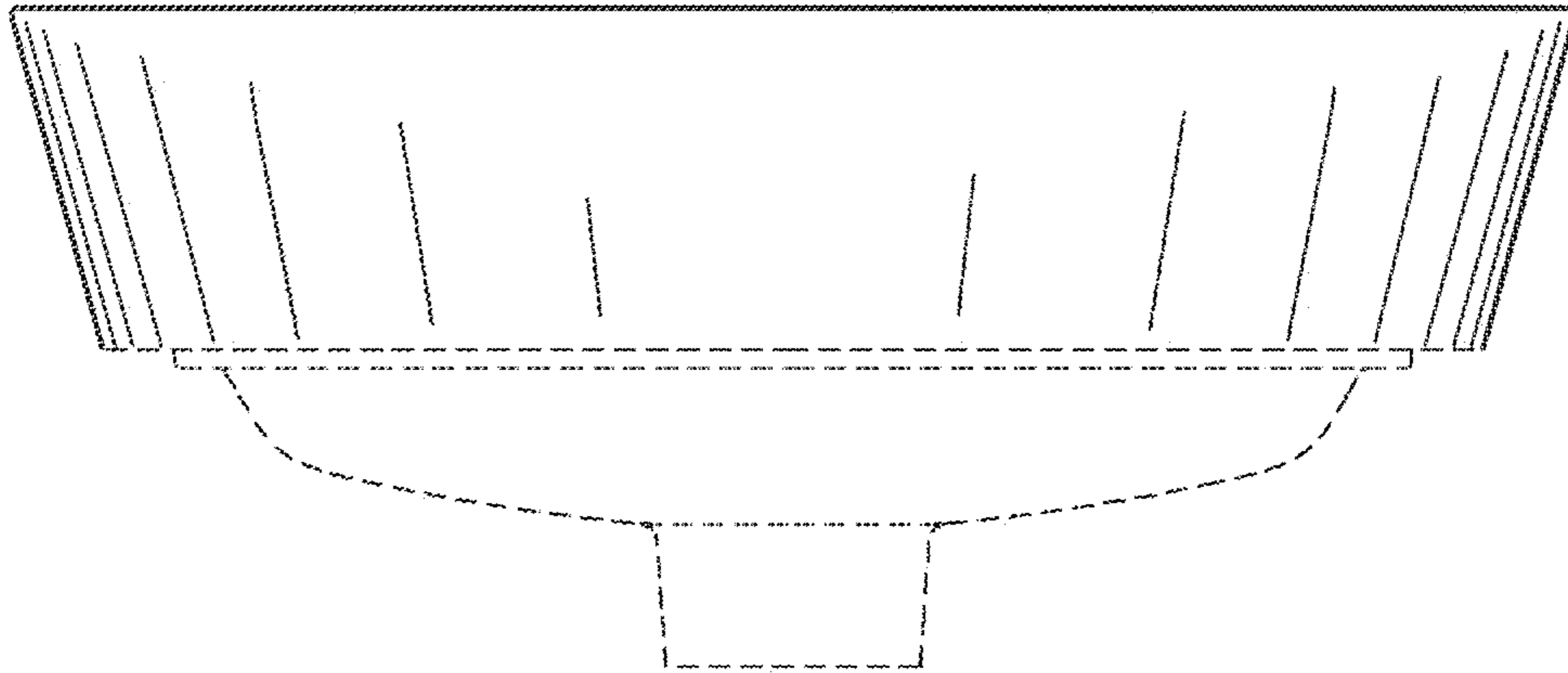


FIG. 4

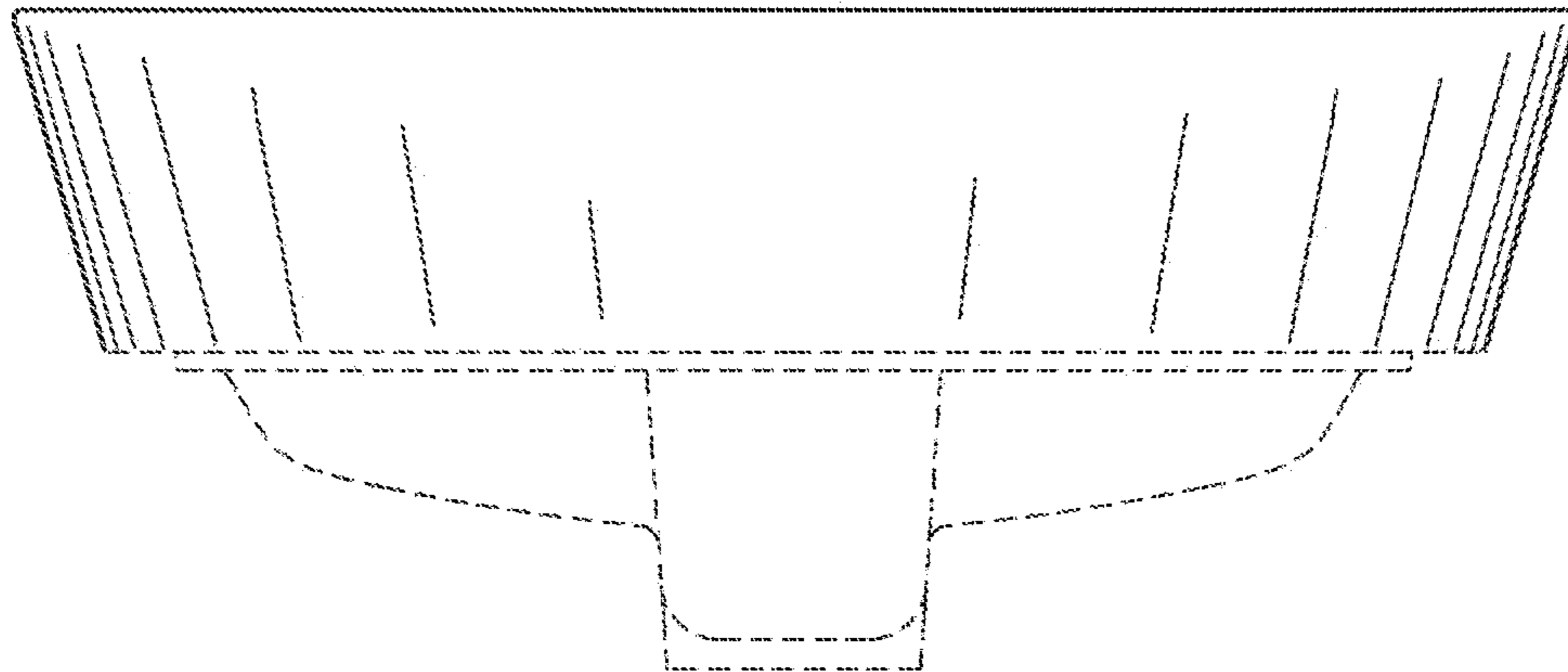


FIG. 5

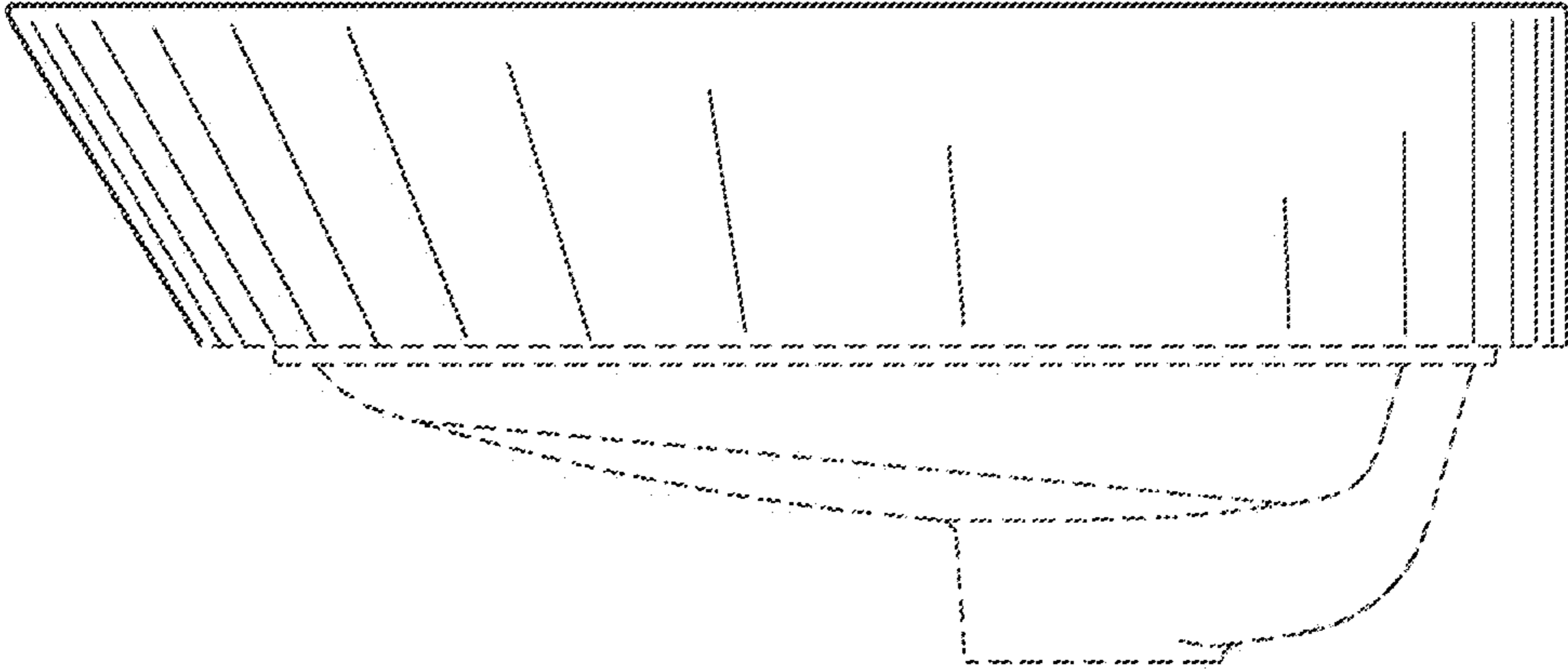


FIG. 6

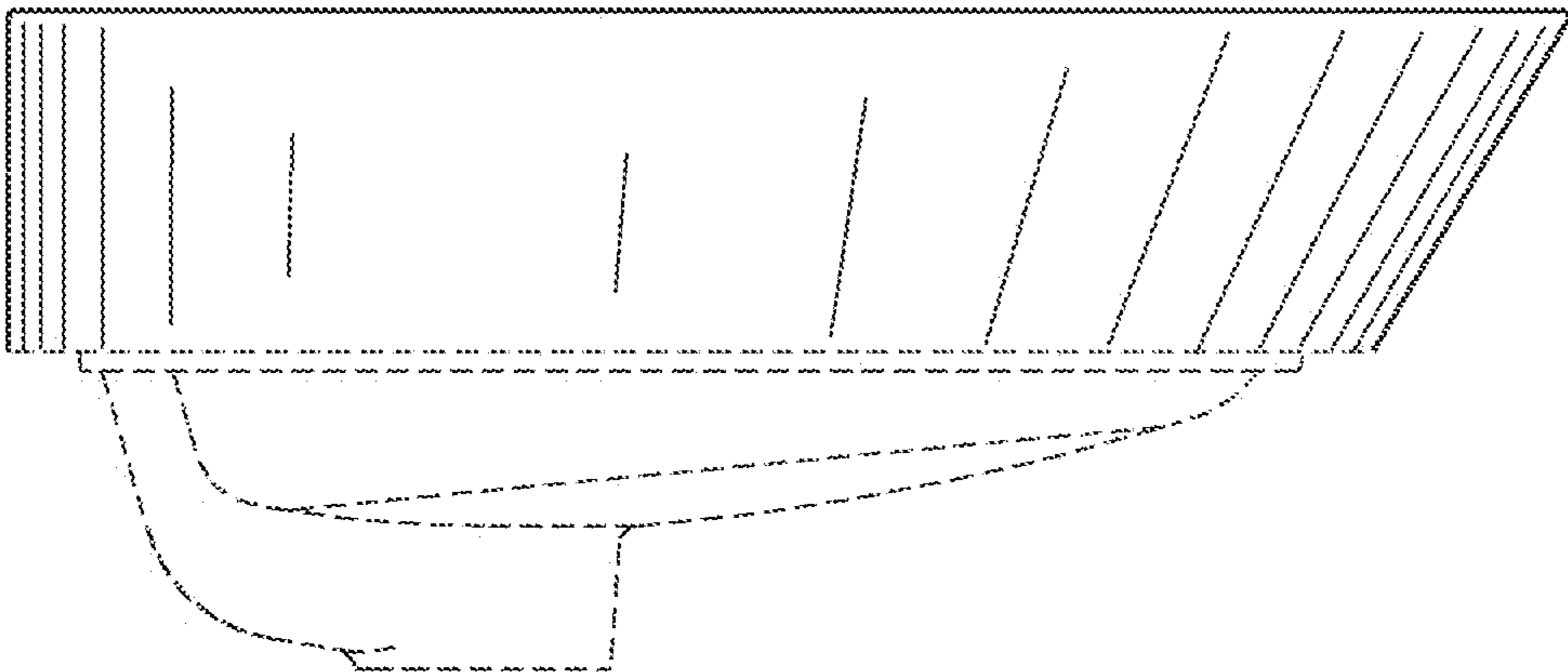


FIG. 7

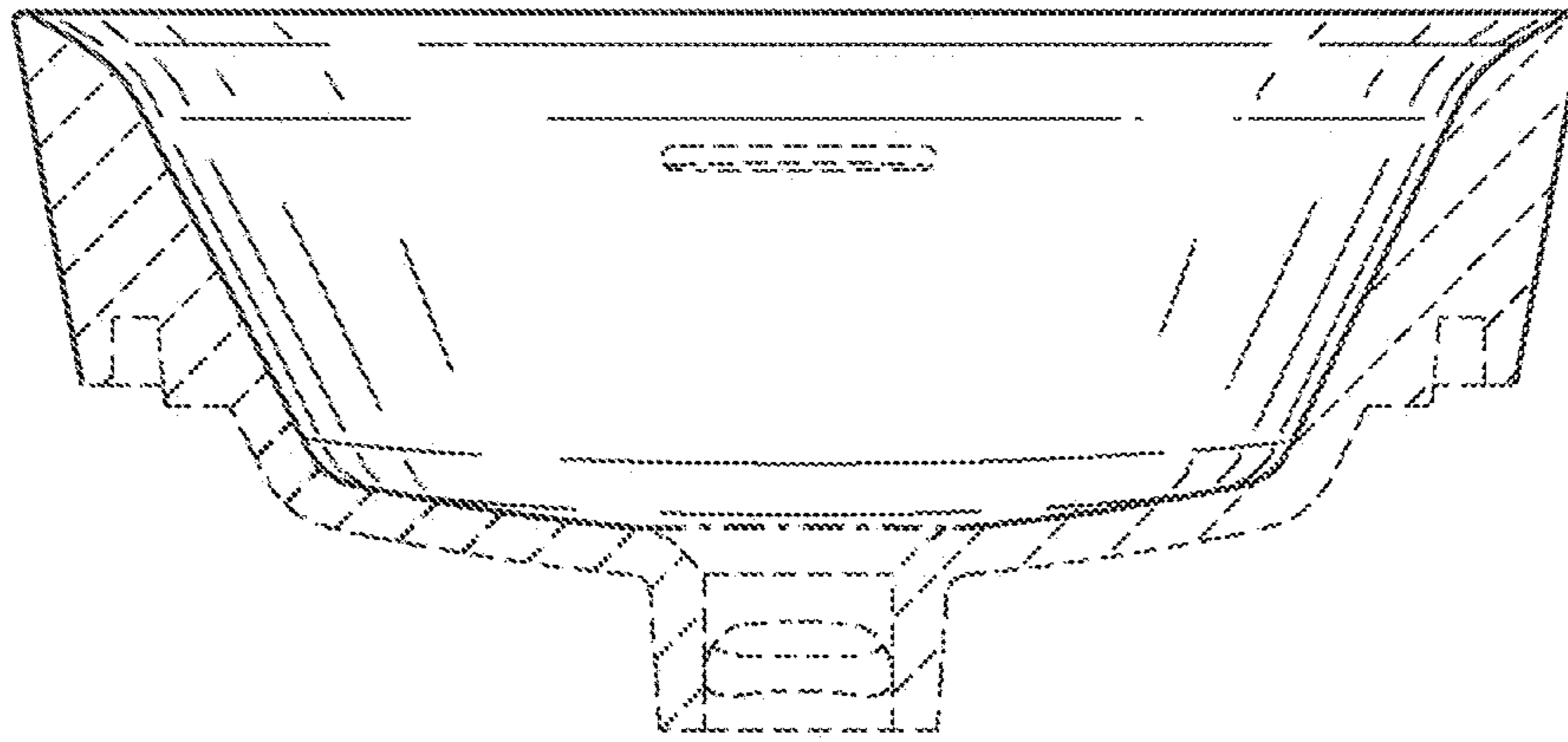


FIG. 8

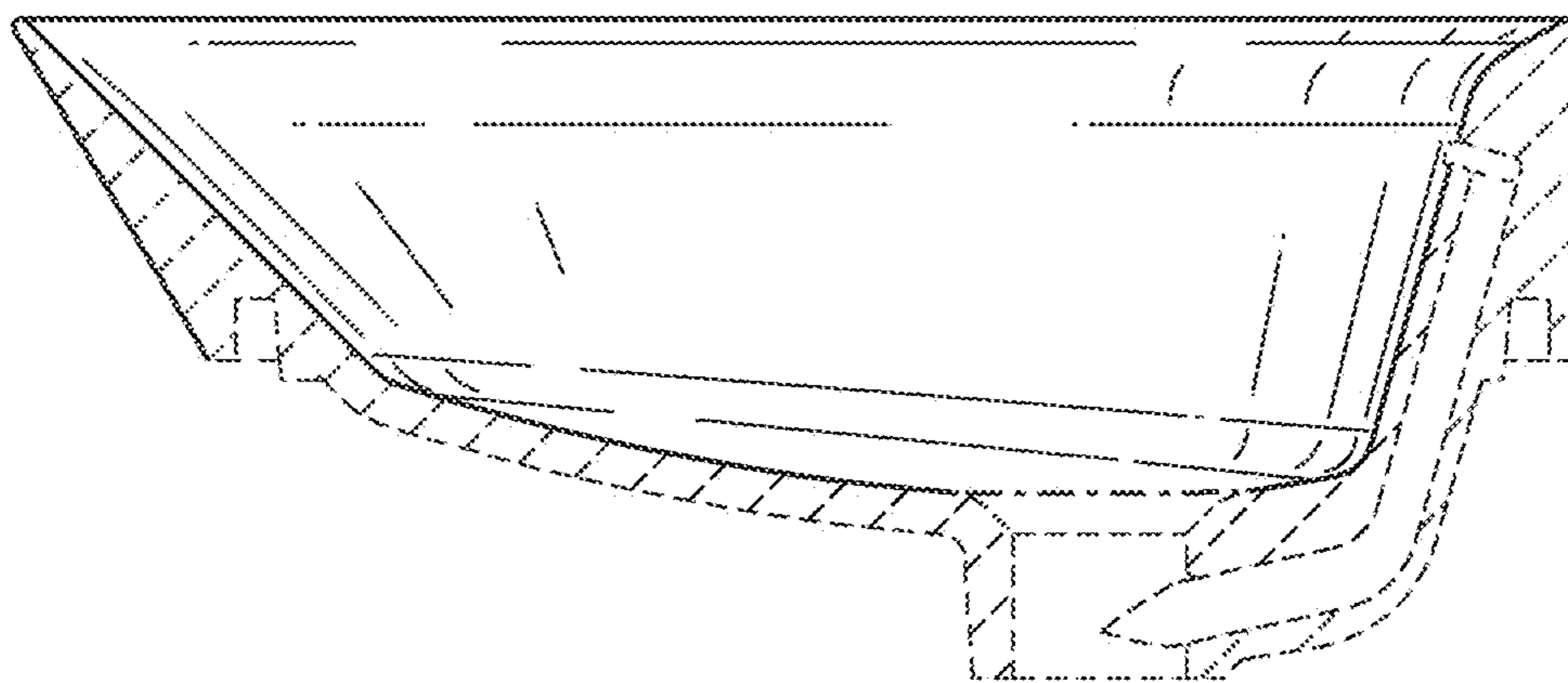


FIG. 9



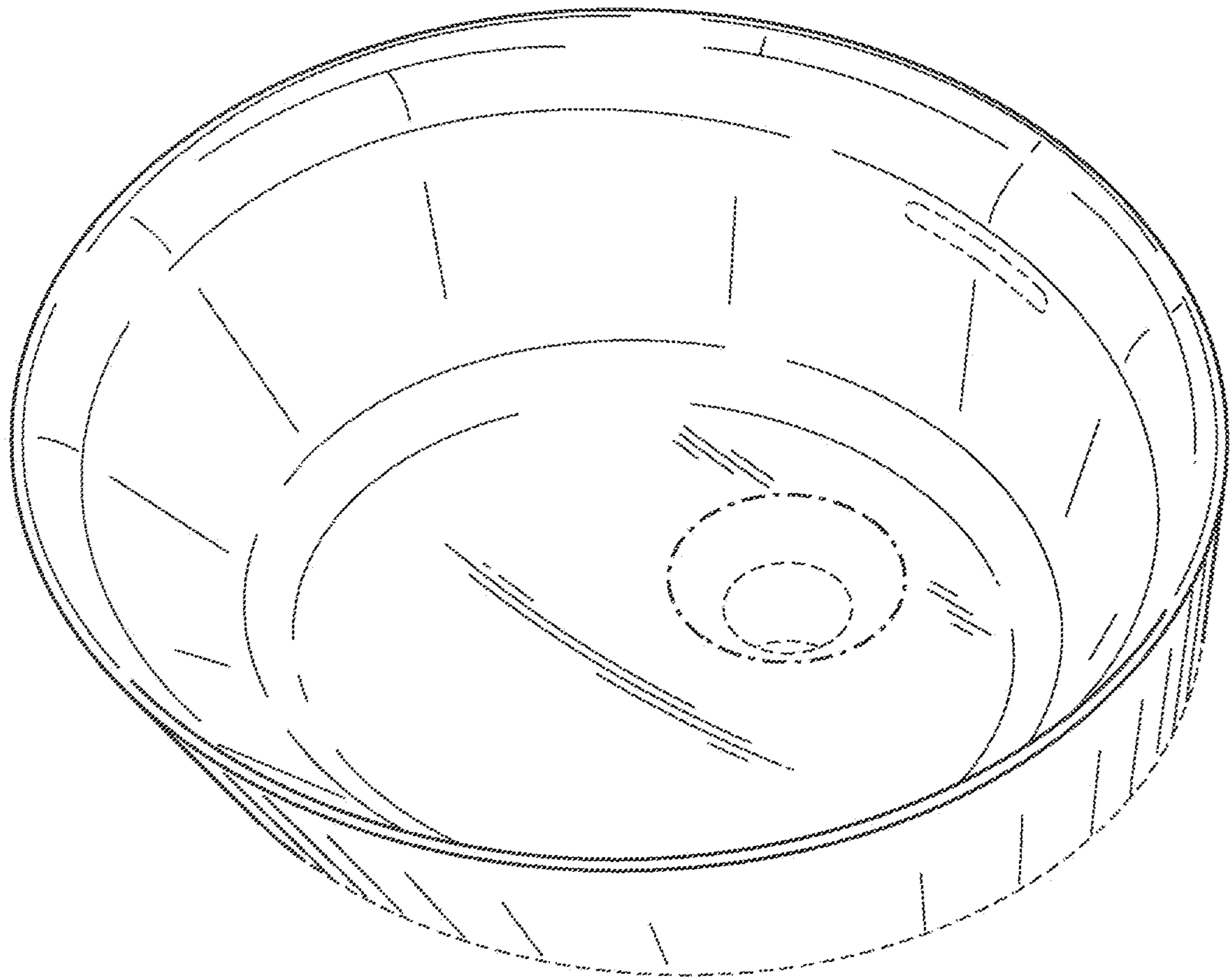


FIG. 10

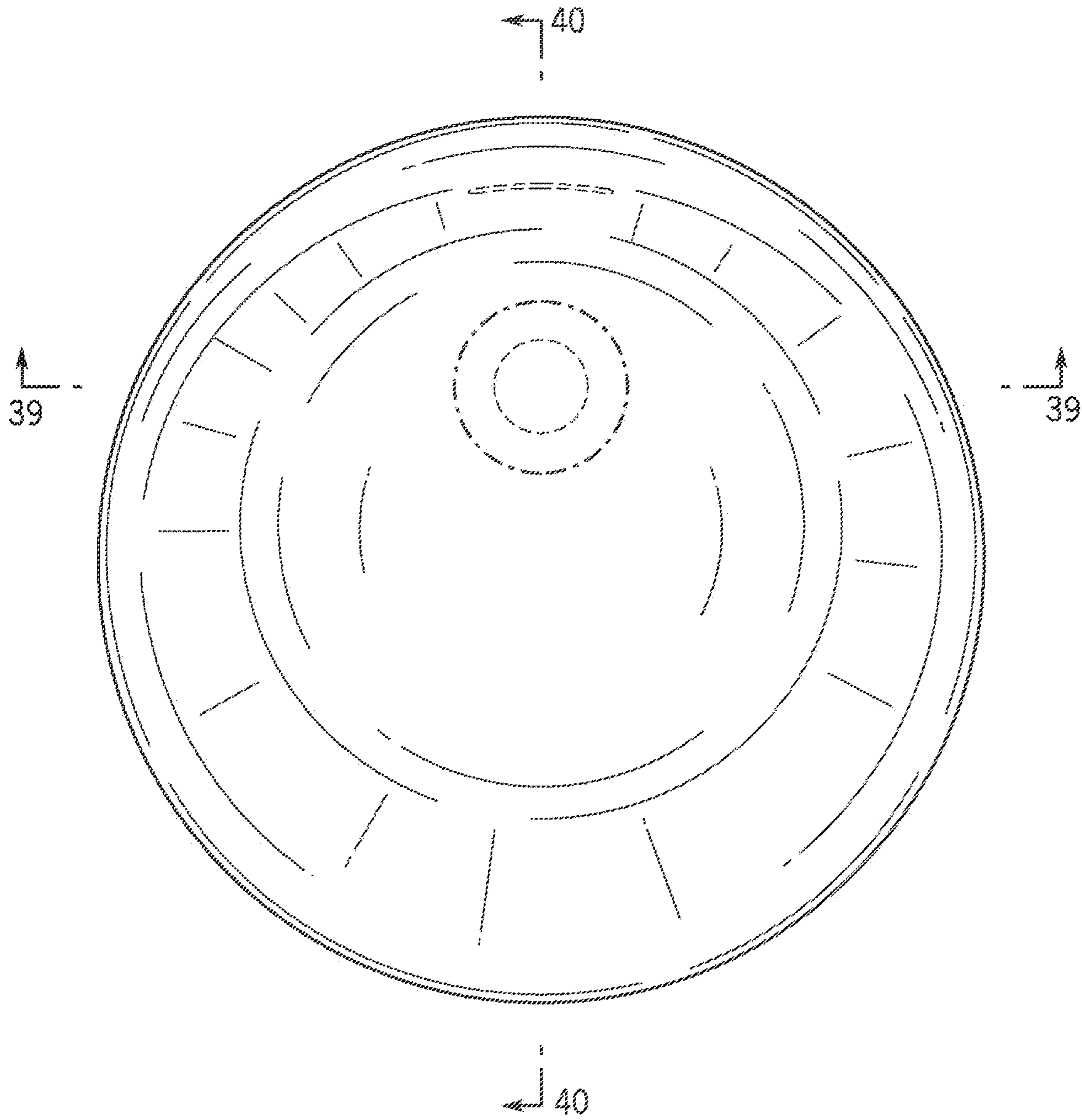


FIG. 11

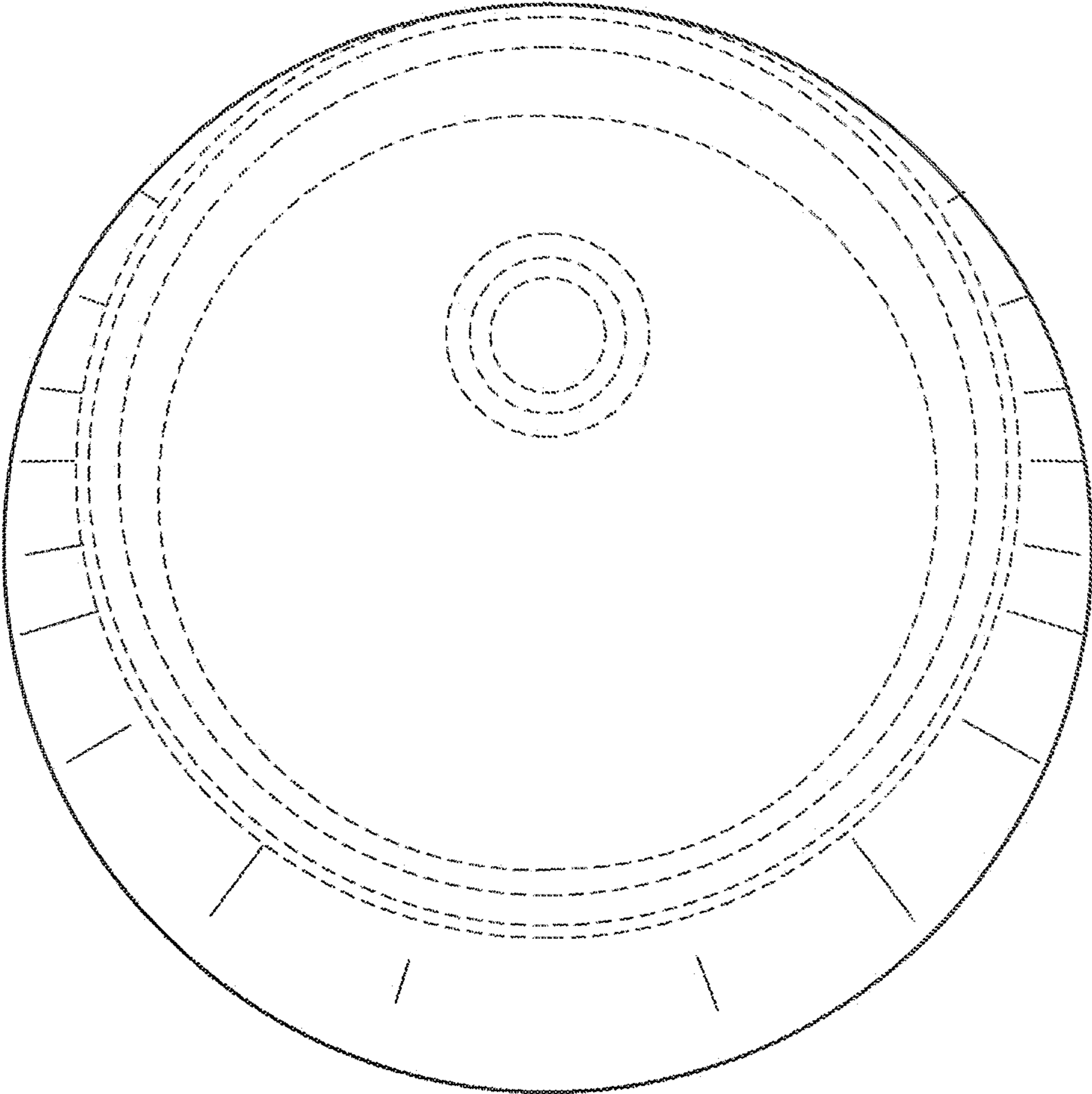


FIG. 12

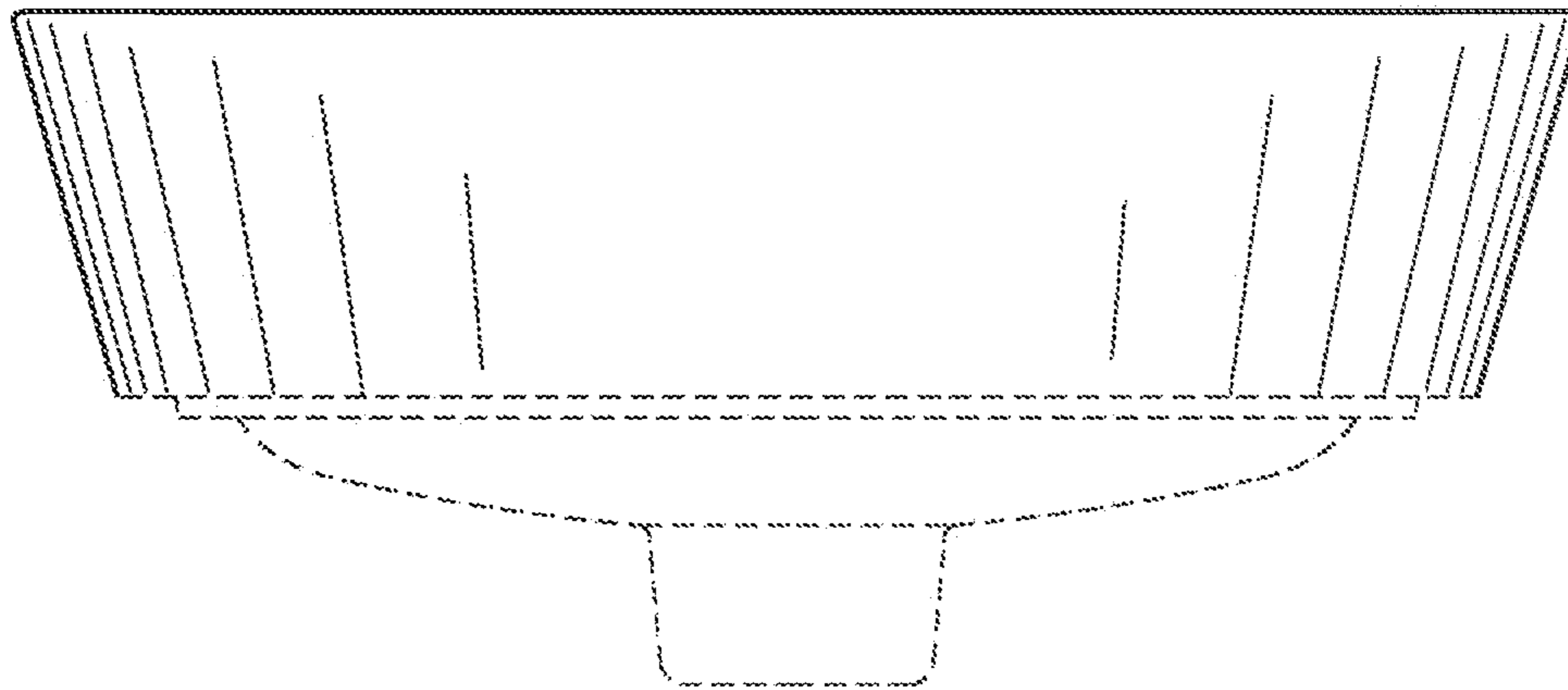


FIG. 13

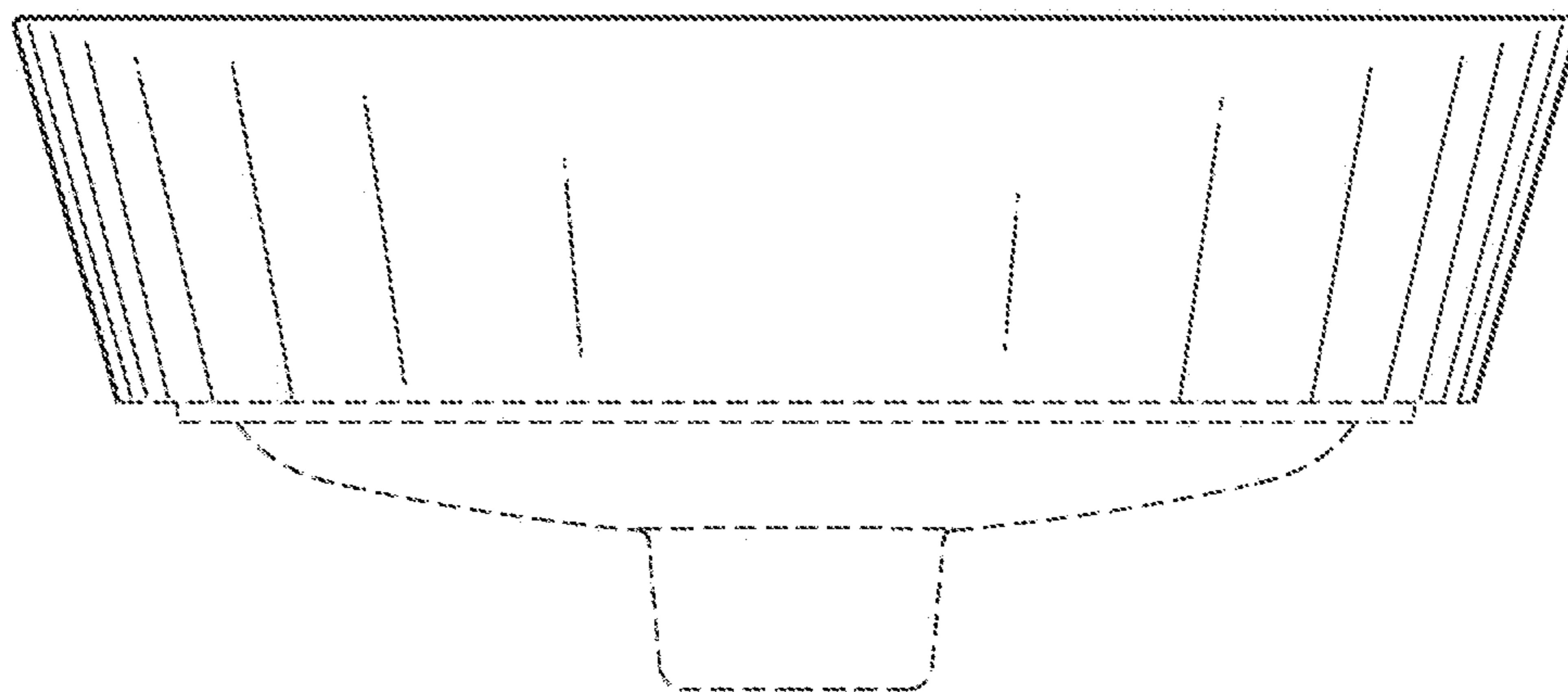


FIG. 14

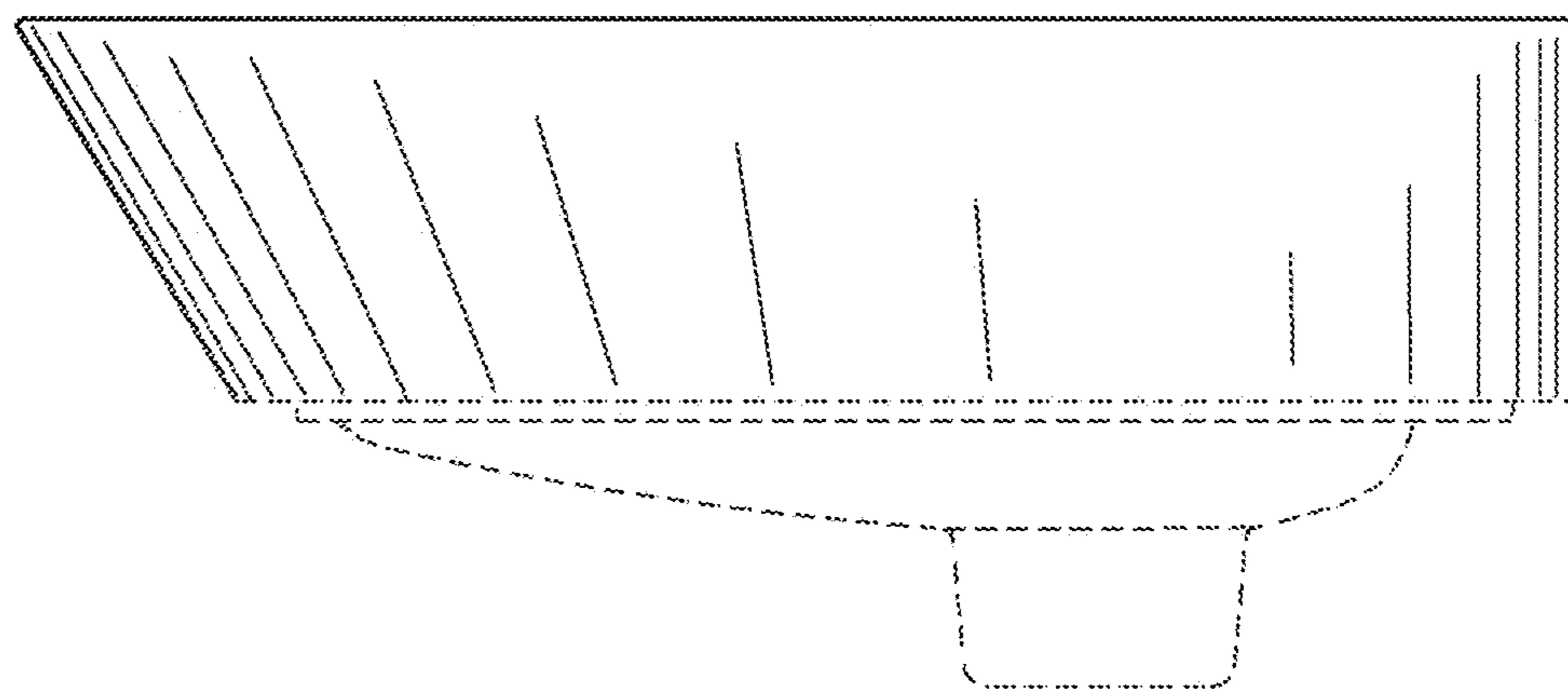


FIG. 15

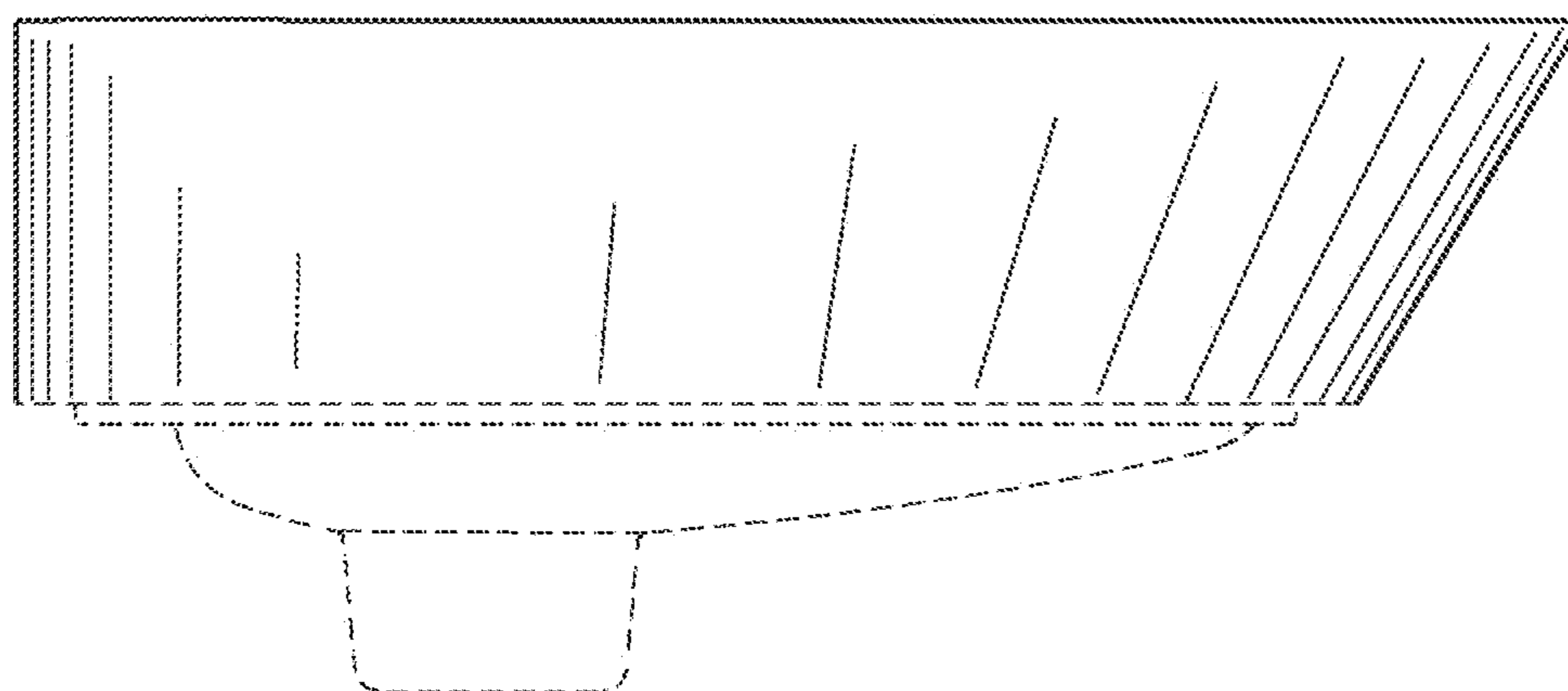


FIG. 16



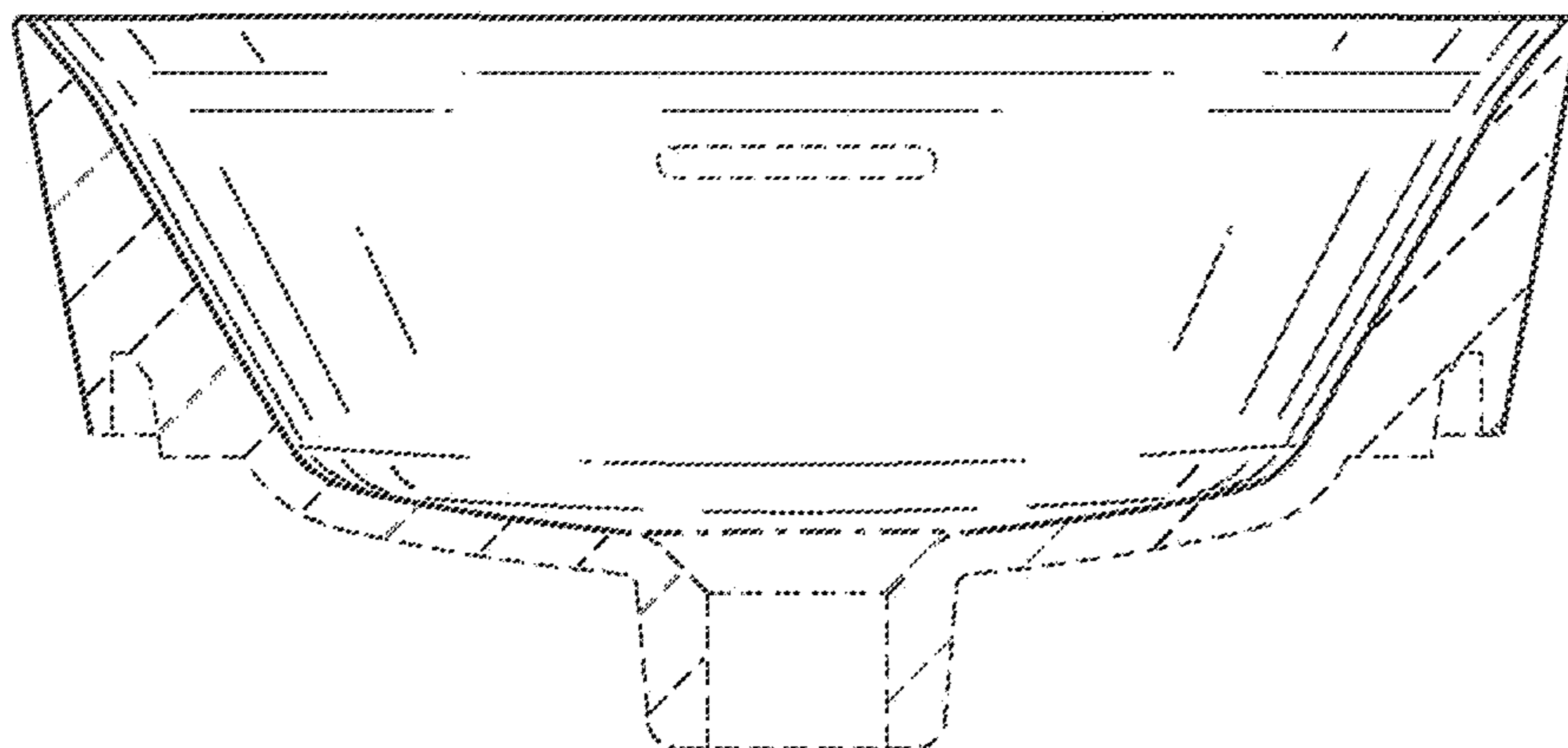


FIG. 17

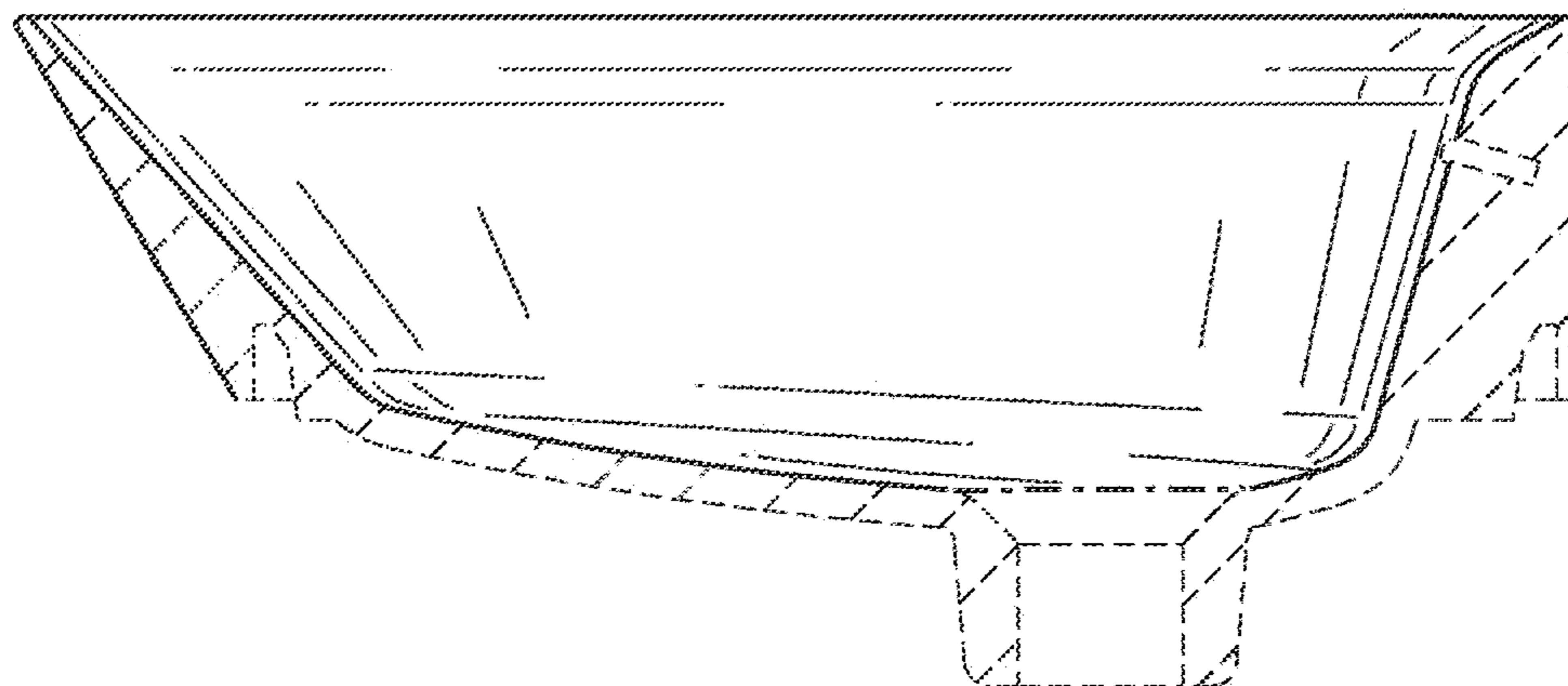


FIG. 18