



US00D916253S

(12) **United States Design Patent** (10) **Patent No.:** **US D916,253 S**  
**O'Brien** (45) **Date of Patent:** **\*\* Apr. 13, 2021**

(54) **WALK IN BATH**  
(71) Applicant: **Kohler Co.**, Kohler, WI (US)  
(72) Inventor: **Sarah K. O'Brien**, Sheboygan, WI (US)  
(73) Assignee: **KOHLER CO**, Kohler, WI (US)  
(\*\*) Term: **15 Years**

2,804,629 A 9/1957 Ring  
2,977,604 A 4/1961 Miller  
2,991,482 A 7/1961 Brass  
3,015,110 A 1/1962 Treand  
3,066,316 A 12/1962 Russel  
3,371,354 A 3/1968 Hayslett  
3,380,078 A 4/1968 Hanson  
3,416,166 A 12/1968 Hanson  
3,423,769 A 1/1969 Cowley  
3,604,018 A 9/1971 Moran

(Continued)

(21) Appl. No.: **29/676,079**  
(22) Filed: **Jan. 8, 2019**

**OTHER PUBLICATIONS**

U.S. Appl. No. 12/576,623, filed Oct. 9, 2009, Johnson.

*Primary Examiner* — John A Voytek  
(74) *Attorney, Agent, or Firm* — Foley & Lardner LLP

**Related U.S. Application Data**

(62) Division of application No. 29/590,651, filed on Jan. 12, 2017, now Pat. No. Des. 842,972.  
(51) **LOC (13) Cl.** ..... **23-02**  
(52) **U.S. Cl.**  
USPC ..... **D23/279**  
(58) **Field of Classification Search**  
USPC ... D23/277-279, 280.1, 280.2, 280.3, 280.4,  
D23/304-310  
CPC . A47K 3/006; A47K 3/02; A47K 3/04; A47K  
3/022; E05C 9/16  
See application file for complete search history.

(57) **CLAIM**

I claim the ornamental design for a walk in bath, as shown and described.

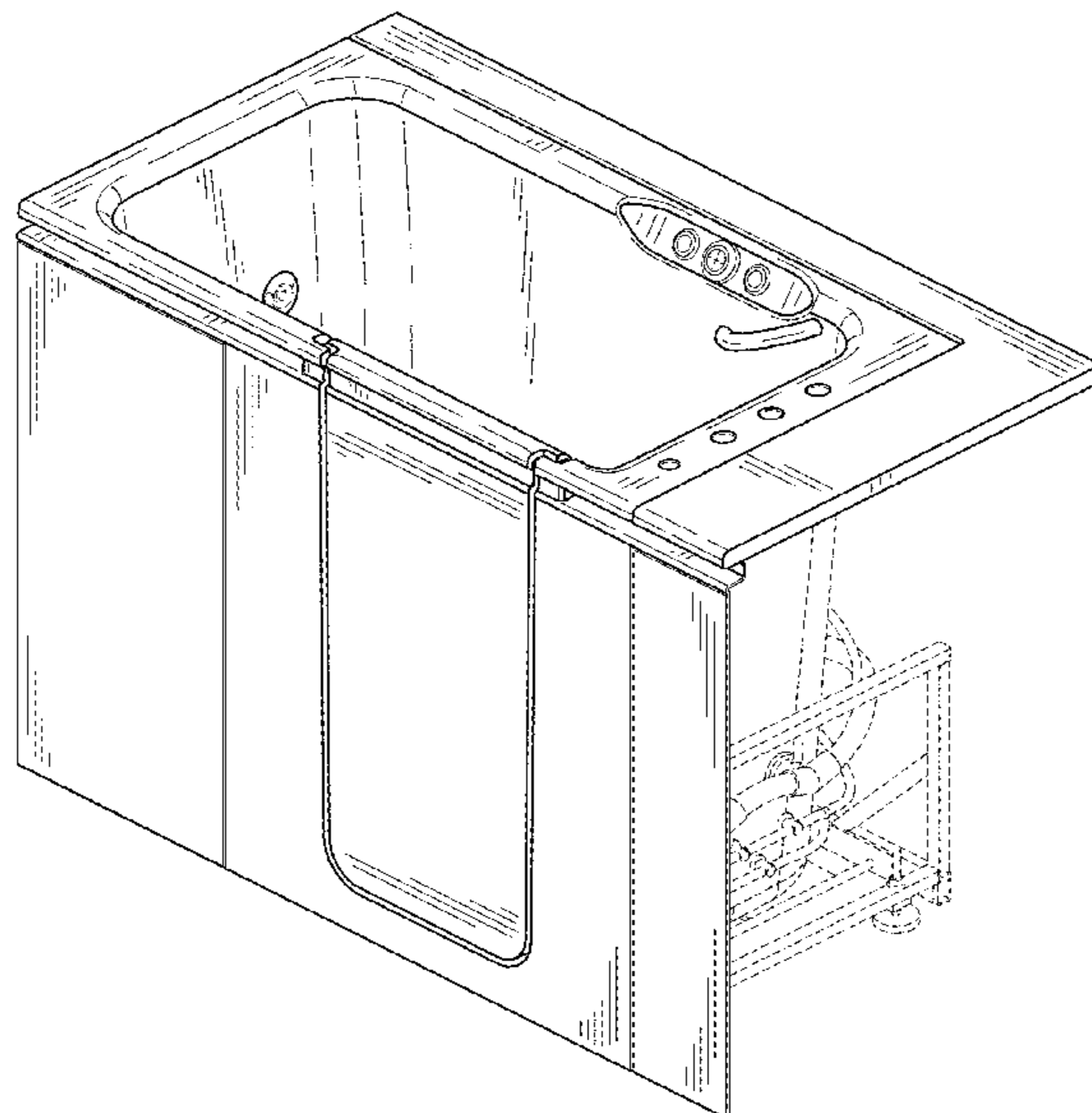
**DESCRIPTION**

FIG. 1 is a perspective view of the claimed design; FIG. 2 is a front view of the design shown in FIG. 1; FIG. 3 is a top view of the design shown in FIG. 1; FIG. 4 is a cross-sectional view of the design shown in FIG. 1 taken along line 4-4 in FIG. 3; FIG. 5 is another cross-sectional view of the design shown in FIG. 1 taken along line 5-5 in FIG. 3; FIG. 6 is another cross-sectional view of the design shown in FIG. 1 taken along line 6-6 in FIG. 3; and, FIG. 7 is yet another cross-sectional view of the design shown in FIG. 1 taken along line 7-7 in FIG. 3. The ornamental design which is claimed is shown in solid lines in the drawings. The broken lines in the drawings are for illustrative purposes only and form no part of the claimed design. Broken lines formed by equal length dashes (i.e., dash-dash) show unclaimed portions of the design.

(56) **References Cited**  
U.S. PATENT DOCUMENTS

77,480 A 5/1868 Gourlay  
228,722 A 6/1880 Arnd  
746,389 A 12/1903 Schmidt  
746,390 A 12/1903 Schmidt  
2,068,457 A 1/1937 Kirkwood  
2,075,933 A 4/1937 Friedlander  
D143,766 S 2/1946 Stanitz  
2,456,275 A 12/1948 Harris  
2,569,825 A 10/1951 Otis  
2,570,053 A 10/1951 Fowler et al.  
2,714,725 A 4/1955 Boone

**1 Claim, 6 Drawing Sheets**





(56)

References Cited

U.S. PATENT DOCUMENTS

2005/0044620 A1	3/2005	Metcalf	2010/0088816 A1	4/2010	Rollins
2005/0066436 A1	3/2005	Mazar	2010/0101012 A1	4/2010	Sampson
2005/0076431 A1	4/2005	Reynolds et al.	2010/0156120 A1	6/2010	Luo
2005/0102746 A1	5/2005	Wright et al.	2010/0192293 A1	8/2010	Sauers et al.
2005/0138724 A1	6/2005	Owen	2010/0212083 A1	8/2010	Stafford
2005/0160526 A1	7/2005	Korn	2010/0236041 A1	9/2010	Stafford
2005/0217017 A1	10/2005	Moser	2010/0251476 A1	10/2010	Bates et al.
2006/0075548 A1	4/2006	Kranson et al.	2010/0263119 A1	10/2010	Neidich et al.
2006/0207011 A1	9/2006	Meyers et al.	2010/0275364 A1	11/2010	Torres et al.
2006/0272085 A1	12/2006	Hribsek	2010/0275365 A1	11/2010	Fainberg
2007/0011803 A1	1/2007	Ogrodnick	2010/0325789 A1	12/2010	Ouyoung
2007/0022529 A1	2/2007	Thorne et al.	2011/0017147 A1	1/2011	Petruzzi
2007/0044231 A1	3/2007	Ball	2011/0035871 A1	2/2011	Seymour et al.
2007/0067901 A1	3/2007	Longman	2011/0088159 A1	4/2011	Knapp et al.
2007/0107120 A1	5/2007	Ingraham	2011/0099787 A1	5/2011	Stafford
2007/0130688 A1	6/2007	Thorne et al.	2011/0131720 A1	6/2011	Dean
2007/0235454 A1	10/2007	Woodruff	2011/0167554 A1	7/2011	Sato et al.
2008/0004677 A1	1/2008	Gay	2011/0167555 A1	7/2011	Zierler et al.
2008/0022448 A1	1/2008	Todd et al.	2011/0308005 A1	12/2011	Smith
2008/0083063 A1	4/2008	Libit et al.	2012/0005820 A1	1/2012	Stafford
2008/0092361 A1	4/2008	Neidich	2012/0030870 A1	2/2012	Storm
2008/0098510 A1	5/2008	O'Brien et al.	2012/0030871 A1	2/2012	Eriksson
2008/0109954 A1	5/2008	Neidich	2012/0096638 A1	4/2012	Webb
2008/0111383 A1	5/2008	Van Ravenhorst	2012/0192349 A1	8/2012	Torres et al.
2008/0134428 A1	6/2008	Call	2012/0192350 A1	8/2012	Stafford et al.
2008/0178380 A1	7/2008	Rydalch	2012/0198611 A1	8/2012	Zierler
2008/0189847 A1	8/2008	Yamasaki et al.	2012/0216343 A1	8/2012	Stafford et al.
2008/0216228 A1	9/2008	Bonanno	2012/0284992 A1	11/2012	Stafford
2008/0222787 A1	9/2008	Staudinger	2012/0304376 A1	12/2012	Neidich et al.
2008/0222790 A1	9/2008	Grant	2012/0311778 A1	12/2012	Dixon
2008/0265548 A1	10/2008	Hammer et al.	2013/0025044 A1	1/2013	Moyer
2008/0301868 A1	12/2008	Libit et al.	2013/0067655 A1	3/2013	Bennett et al.
2009/0013460 A1	1/2009	Whitley	2013/0086738 A1	4/2013	Millerd
2009/0025136 A1	1/2009	Cheng	2013/0086739 A1	4/2013	Booth, III
2009/0139021 A1	6/2009	Cheng	2013/0145542 A1	6/2013	Luo
2009/0211615 A1	8/2009	Ho	2013/0219609 A1	8/2013	Libit
2009/0288248 A1	11/2009	Longman	2013/0263371 A1	10/2013	Qian et al.
2010/0037382 A1	2/2010	Spiker et al.	2013/0263967 A1	10/2013	Woodruff
2010/0038934 A1	2/2010	Bennett et al.	2013/0283518 A1	10/2013	Ciechanowski et al.
2010/0052920 A1	3/2010	Roach	2014/0075665 A1	3/2014	Sital et al.
			2014/0201900 A1	7/2014	Torres
			2016/0000272 A1	1/2016	Jin

\* cited by examiner

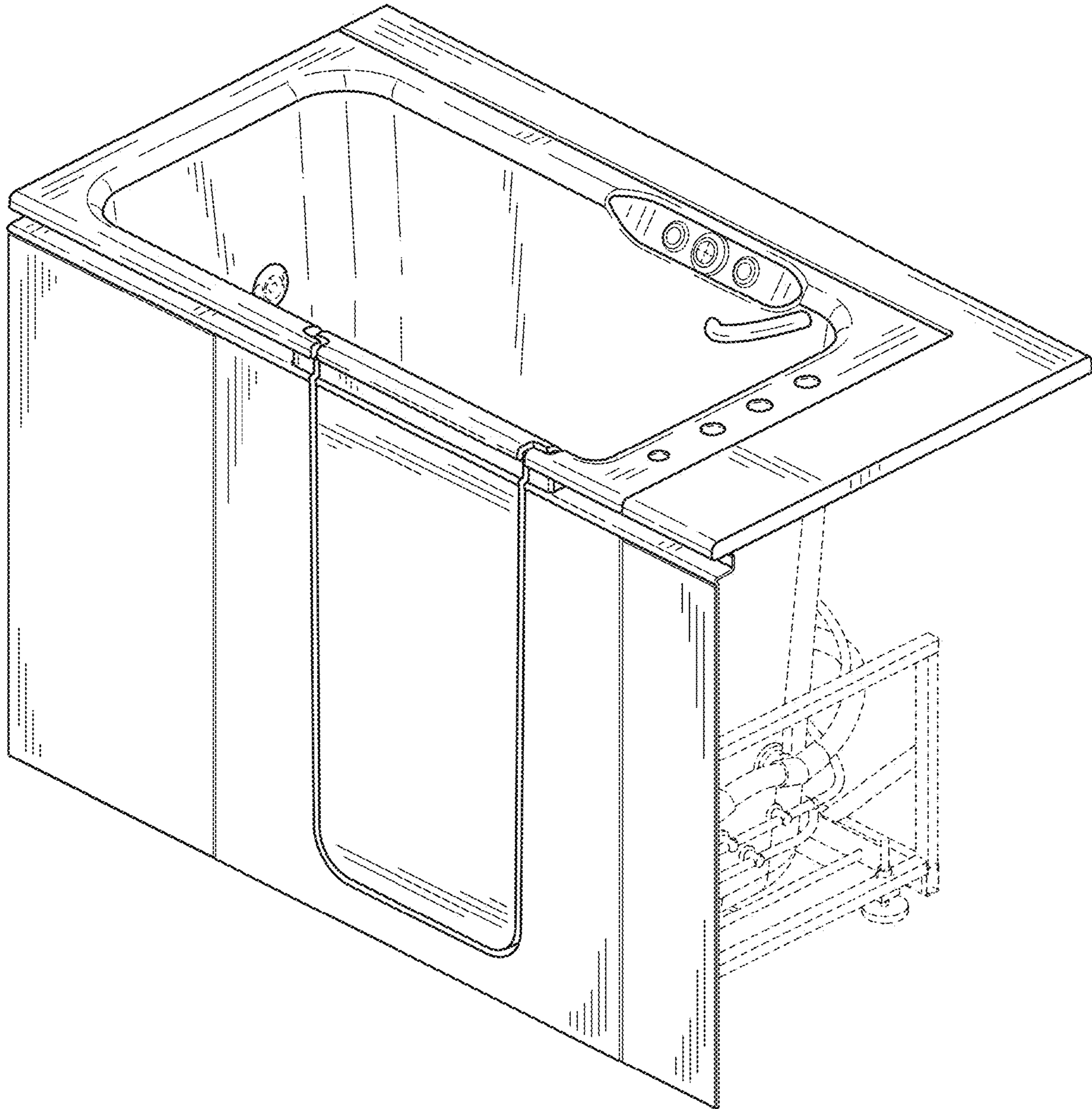


FIG. 1

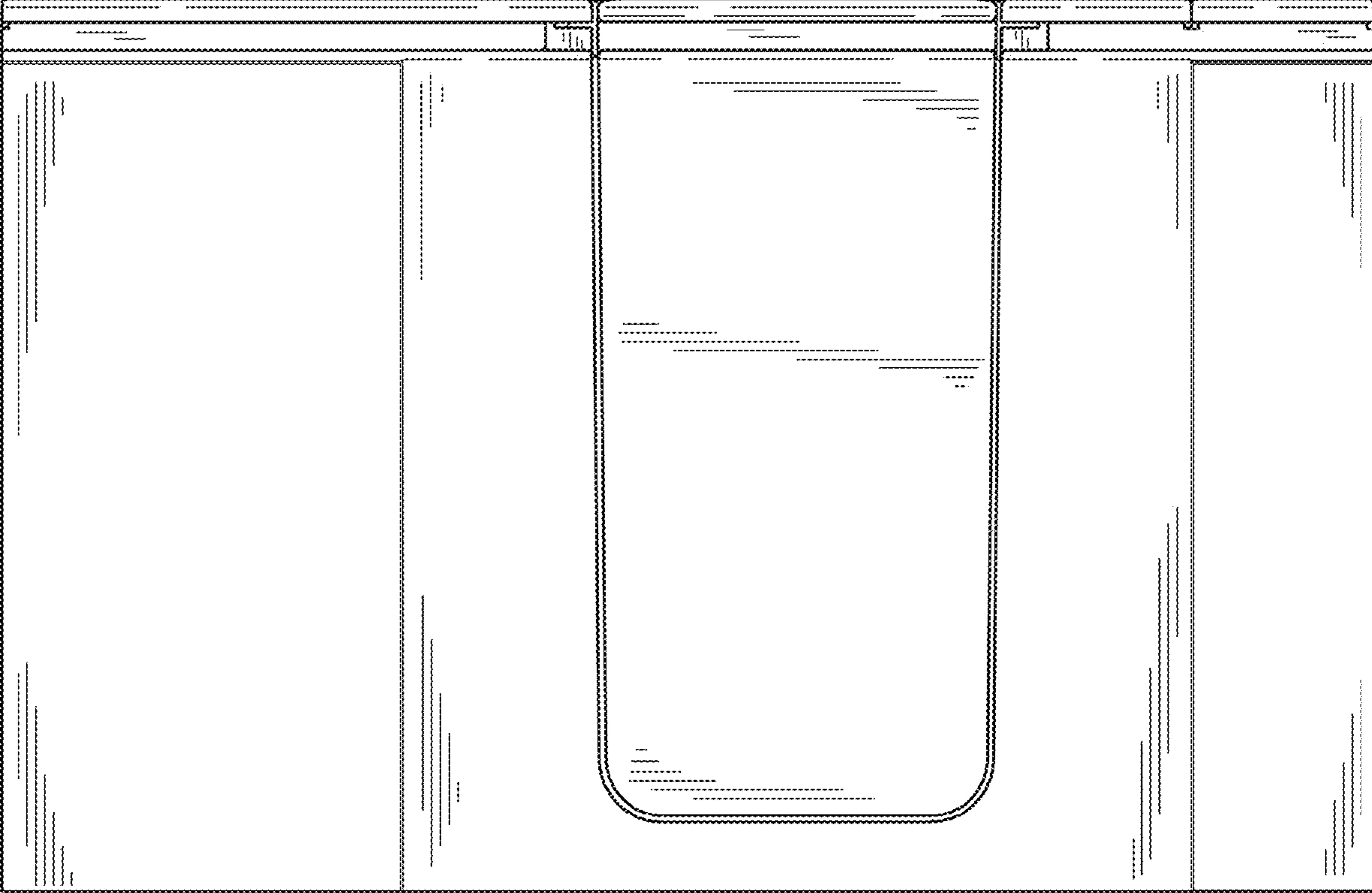


FIG. 2

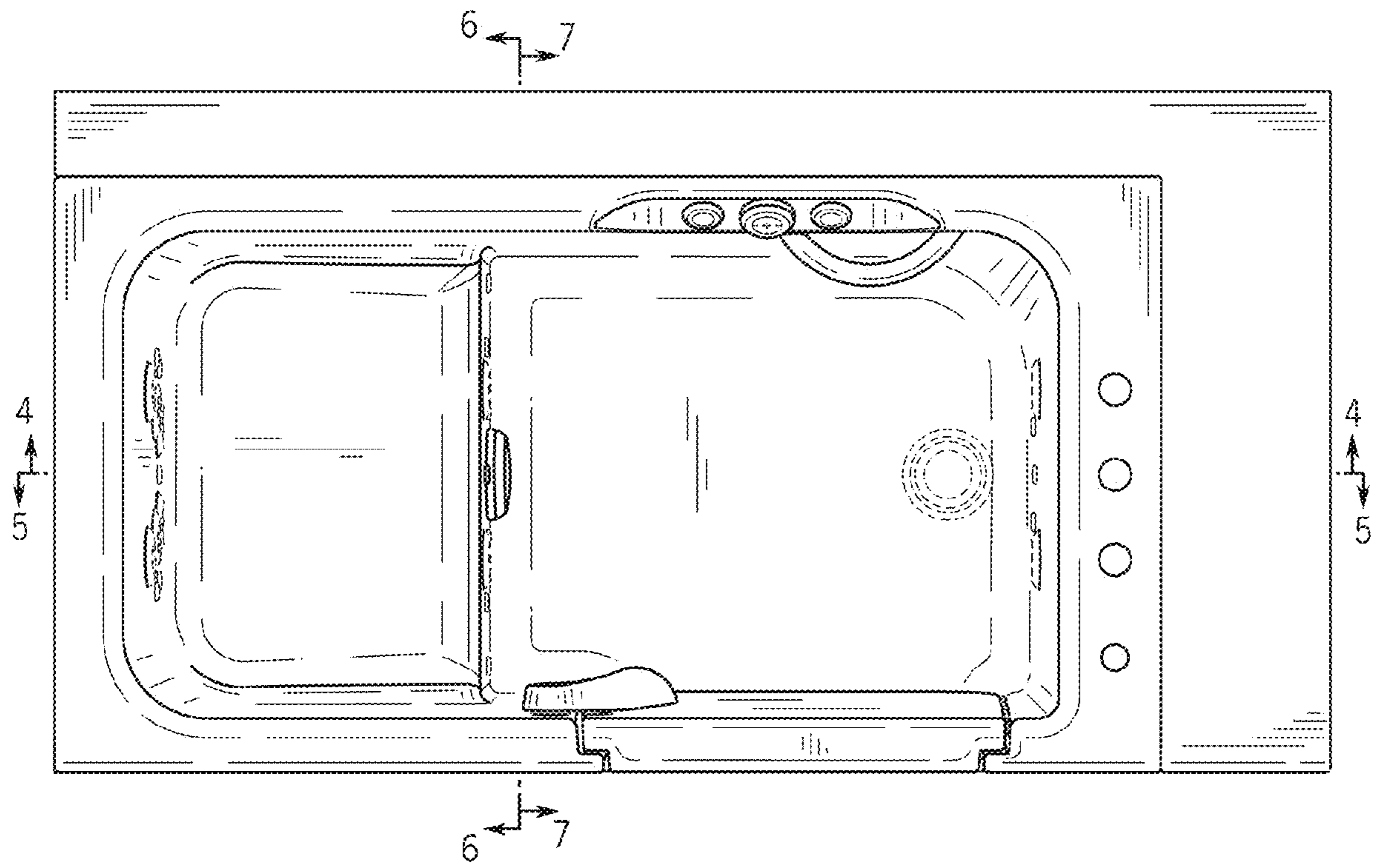


FIG. 3

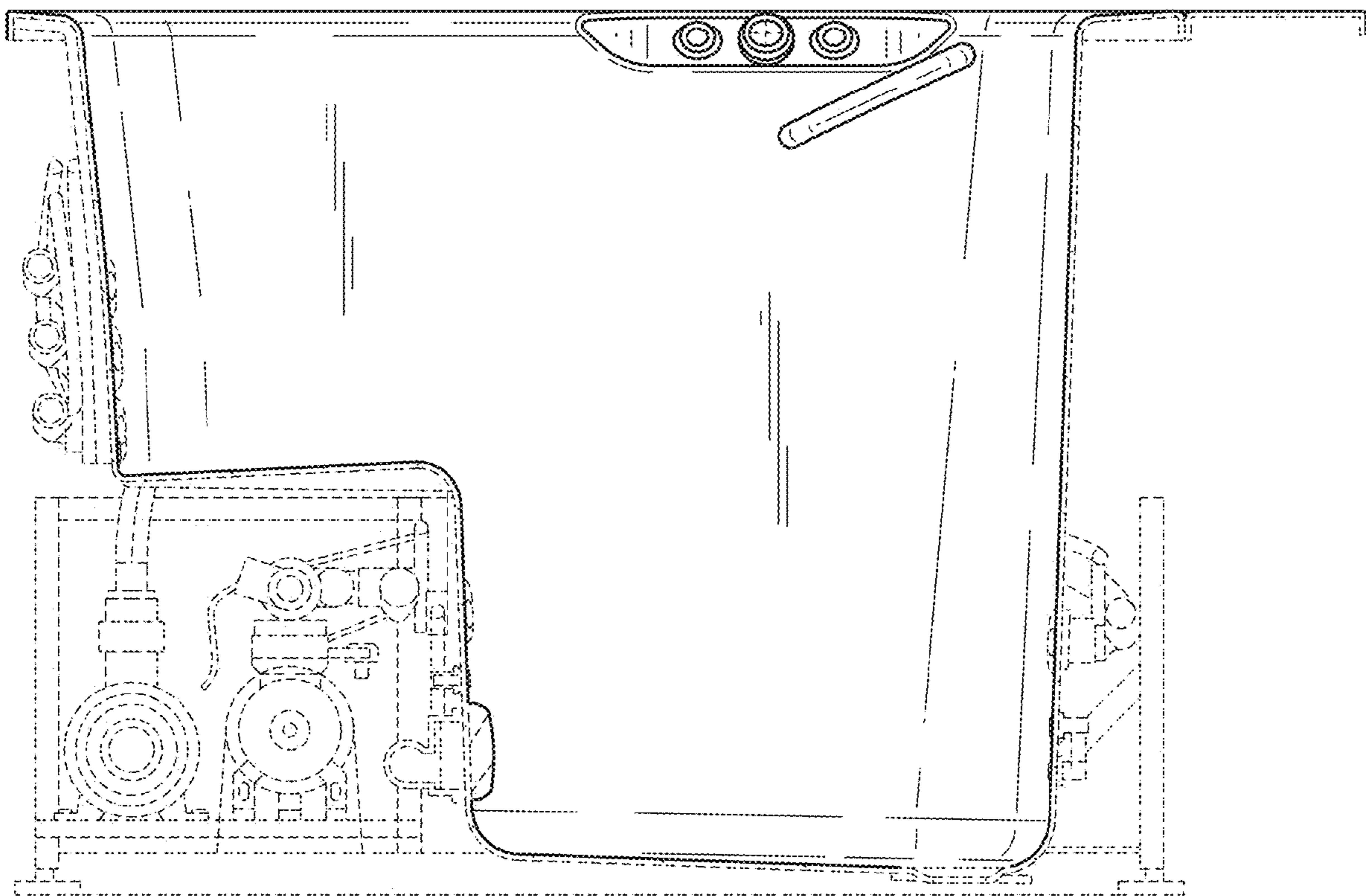


FIG. 4

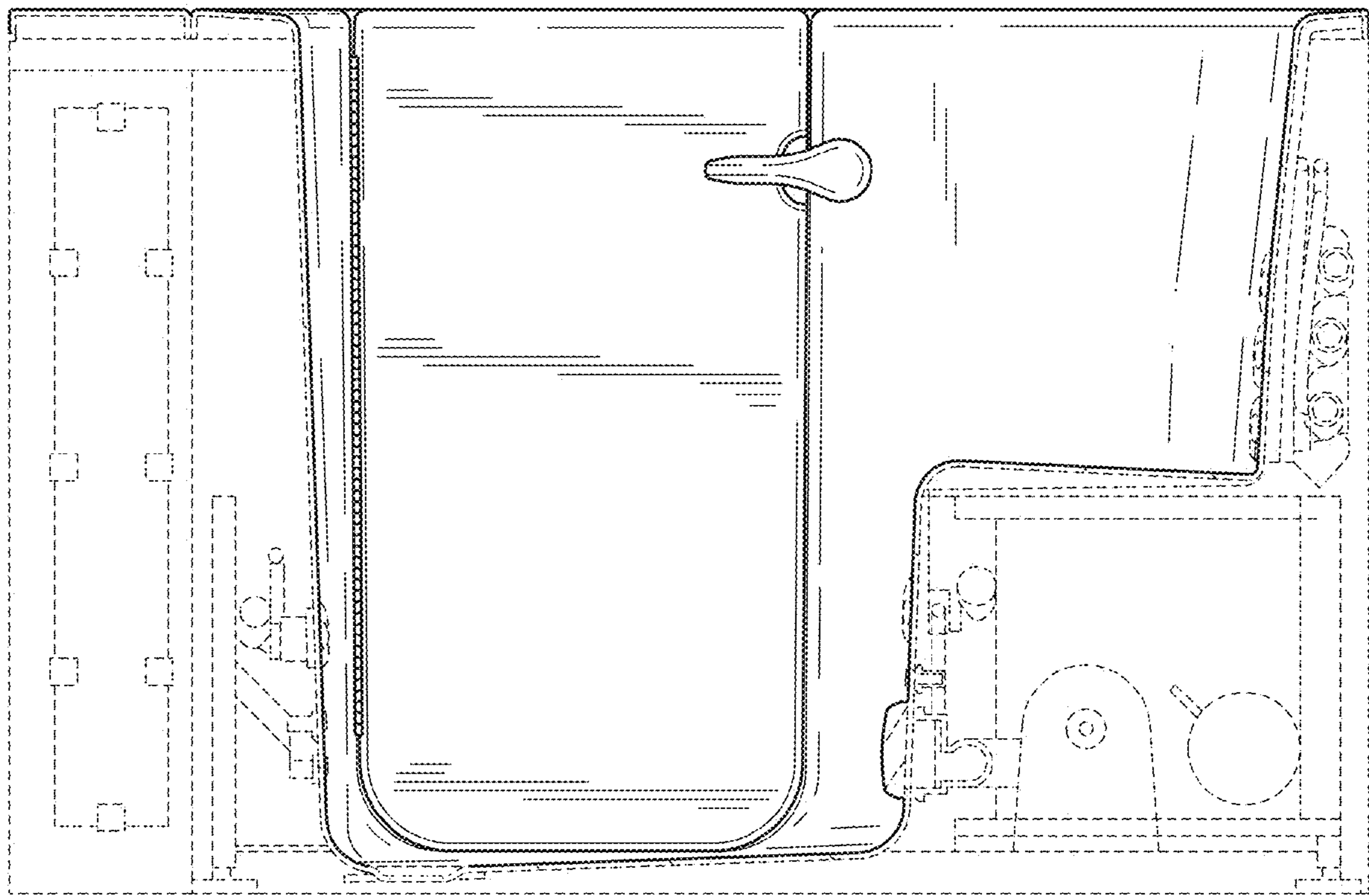


FIG. 5



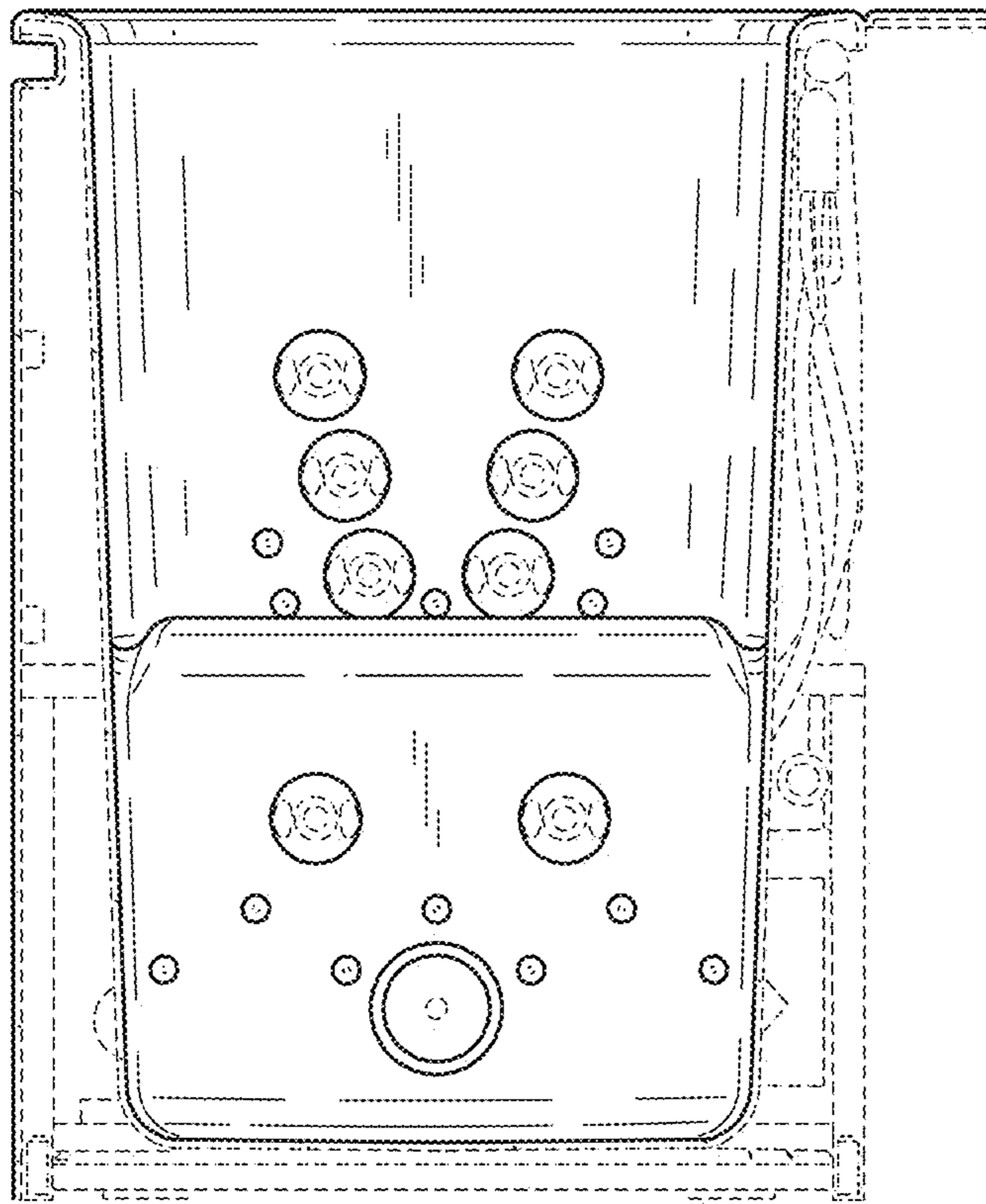


FIG. 6

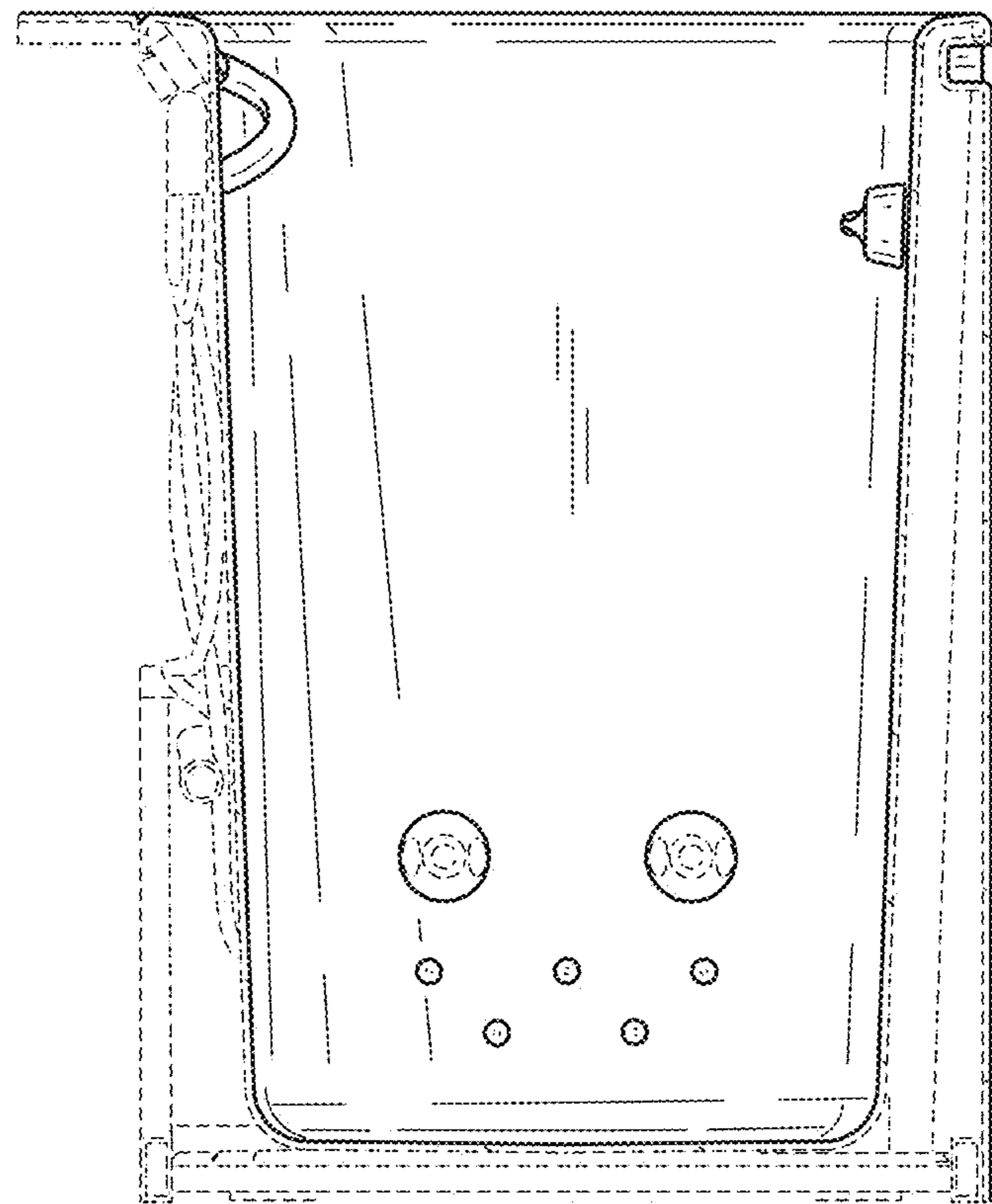


FIG. 7