



US00D916252S

(12) **United States Design Patent**
Tinaphong

(10) **Patent No.:** **US D916,252 S**
(45) **Date of Patent:** **** Apr. 13, 2021**

(54) **FLUID VALVE WITH ATTACHED ACTUATOR**

D676,941 S * 2/2013 Kluss D23/262
9,976,288 B2 5/2018 McAward et al.
D873,978 S * 1/2020 Edwards D23/263

(Continued)

(71) Applicant: **VOXX International Corporation**,
Hauppauge, NY (US)

FOREIGN PATENT DOCUMENTS

(72) Inventor: **Prapan Paul Tinaphong**, Carmel, IN
(US)

CN 103791142 A 5/2014 F16K 31/11

(73) Assignee: **VOXX International Corporation**,
Hauppauge, NY (US)

OTHER PUBLICATIONS

(**) Term: **15 Years**

Notification of Transmittal of the International Search Report and the Written Opinion of the International Searching Authority, or the Declaration, dated Jan. 28, 2019, which was issued by the International Searching Authority of WIPO in Applicant's related international PCT application having Serial No. PCT/US2018/052558, filed on Sep. 25, 2018.

(21) Appl. No.: **29/725,448**

(Continued)

(22) Filed: **Feb. 25, 2020**

Related U.S. Application Data

(63) Continuation of application No. 16/140,741, filed on Sep. 25, 2018, now Pat. No. 10,816,432.

Primary Examiner — Gino Colan

(51) **LOC (13) Cl.** **23-01**

(74) *Attorney, Agent, or Firm* — Bodner & O'Rourke, LLP; Gerald T. Bodner; Christian P. Bodner

(52) **U.S. Cl.**
USPC **D23/263**

(57) **CLAIM**

(58) **Field of Classification Search**
USPC D23/233, 235, 237, 241–249, 259, 262, D23/263
CPC .. F16K 17/06; F16K 11/0716; F16K 27/0263; F16K 31/0675; F16K 31/004; F16K 31/02; F16K 31/082; F16K 27/048; F16K 31/00; F16K 37/0025

The ornamental design of a fluid valve with attached actuator, substantially as shown and described.

See application file for complete search history.

DESCRIPTION

(56) **References Cited**

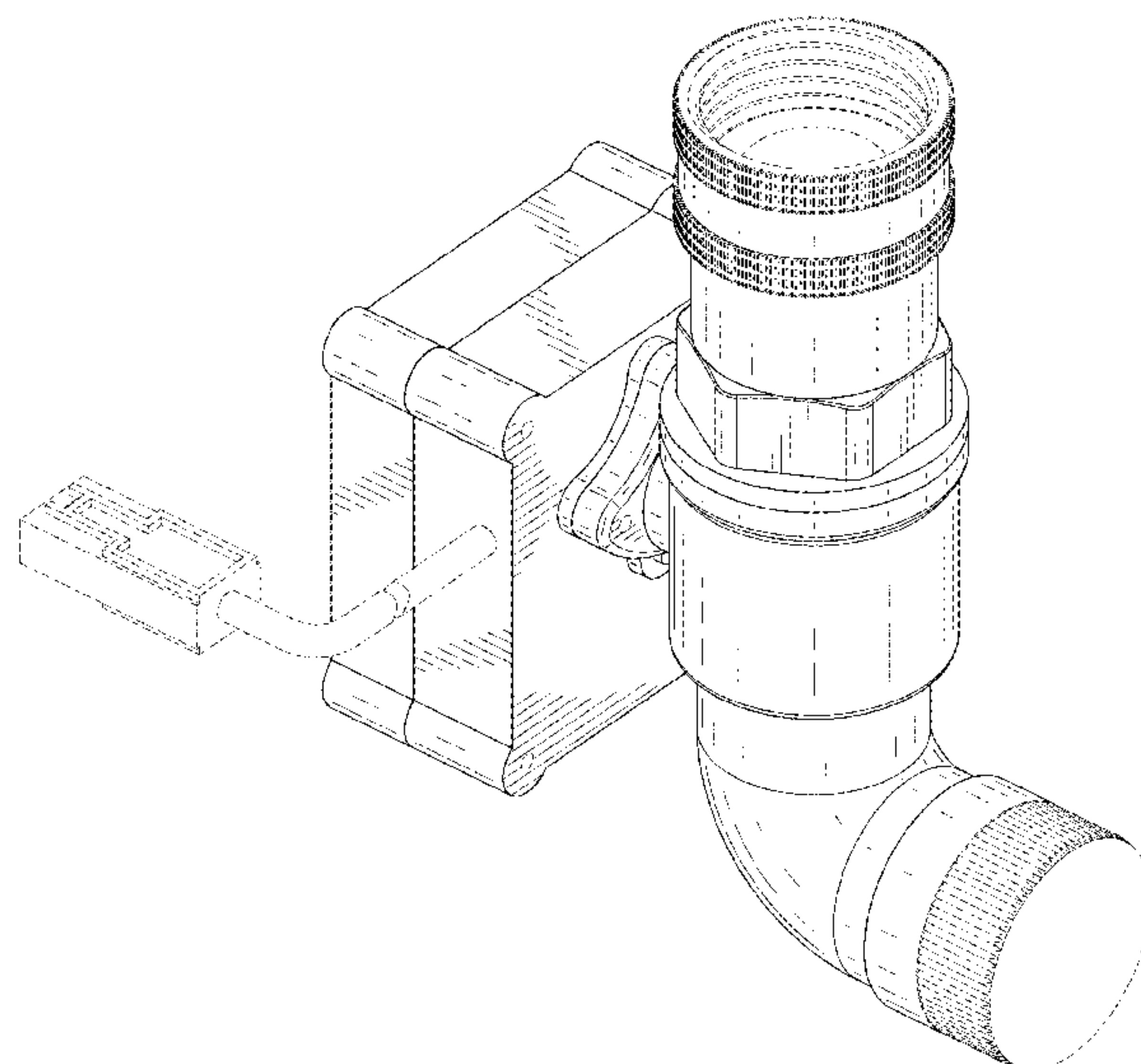
FIG. 1 is a front perspective view of a fluid valve with attached actuator showing my new design; FIG. 2 is a rear perspective view thereof; FIG. 3 is a top plan view thereof; FIG. 4 is a bottom plan view thereof; FIG. 5 is a left elevational view thereof; FIG. 6 is a right elevational view thereof; FIG. 7 is a front elevational view thereof; and, FIG. 8 is a rear elevational view thereof.

U.S. PATENT DOCUMENTS

4,324,268 A 4/1982 Jacobson 137/312
5,409,037 A 4/1995 Wheeler et al. 137/551
7,044,154 B2 5/2006 Henderson et al. 137/312
7,066,192 B1 6/2006 Delaney et al. 137/15.18
D652,122 S * 1/2012 Bonhag D23/263
D663,385 S * 7/2012 Marquis-Martin D23/259

The broken lines shown in the figures are for the purpose of illustrating portions of the fluid valve with attached actuator and form no part of the claimed design.

1 Claim, 8 Drawing Sheets



(56)

References Cited

U.S. PATENT DOCUMENTS

D886,250	S	*	6/2020	Ji Ho	D23/263
D893,683	S	*	8/2020	Dong	D23/263
2005/0224118	A1		10/2005	Tornay	137/624.11
2007/0289635	A1		12/2007	Ghazarian et al.	137/312
2008/0143540	A1		6/2008	Savla	340/605
2008/0314466	A1		12/2008	Cimberio et al.	137/883
2017/0044744	A1		2/2017	Everhart		

OTHER PUBLICATIONS

Written Opinion of the International Searching Authority, dated Jan. 28, 2019, which was issued by the International Searching Authority of WIPO in Applicant's related international PCT application having Serial No. PCT/US2018/052558, filed on Sep. 25, 2018.

International Search Report, dated Jan. 28, 2019, which was issued by the International Searching Authority of WIPO in Applicant's related international PCT application having Serial No. PCT/US2018/052558, filed on Sep. 25, 2018.

* cited by examiner

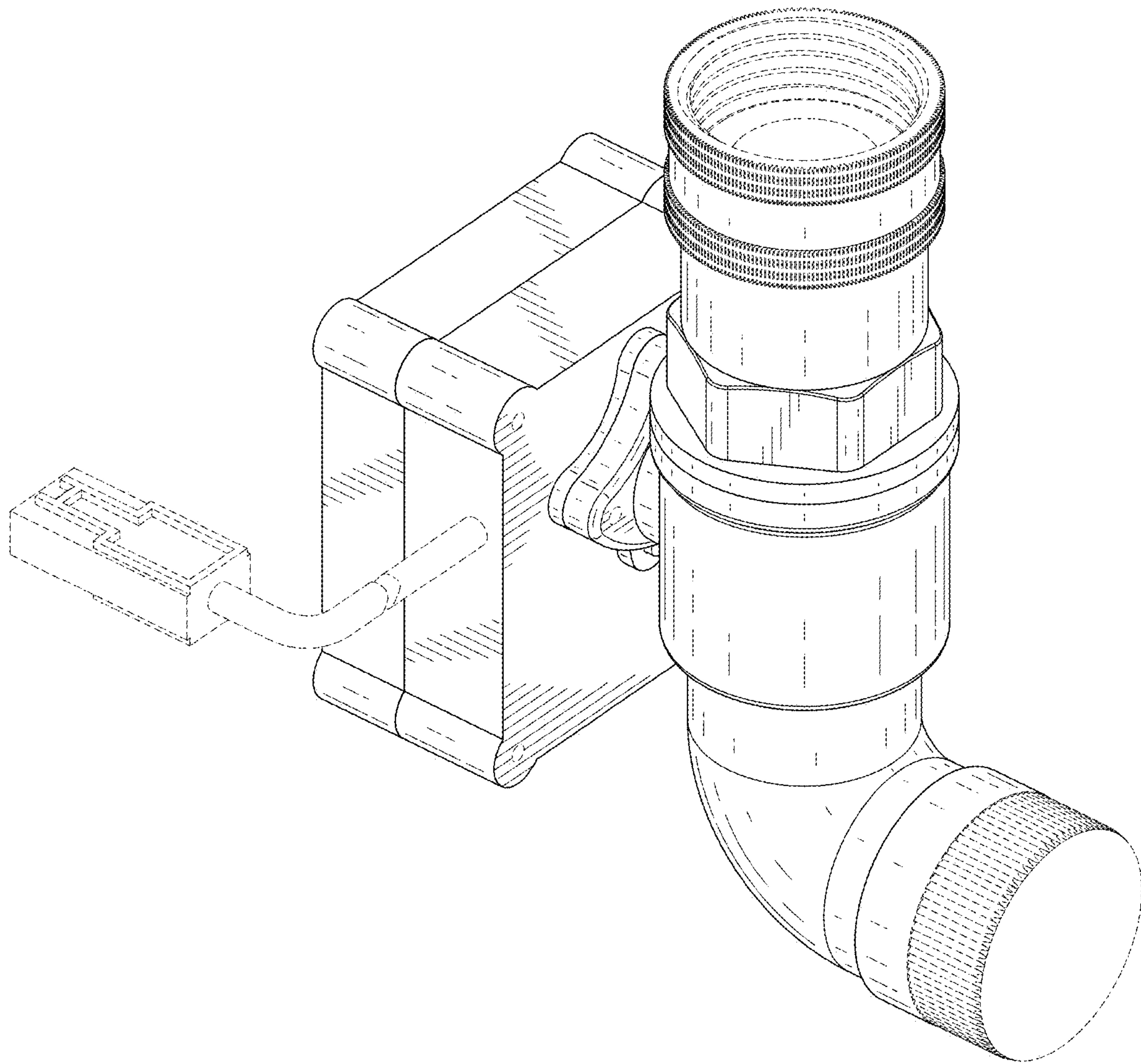


FIG. 1

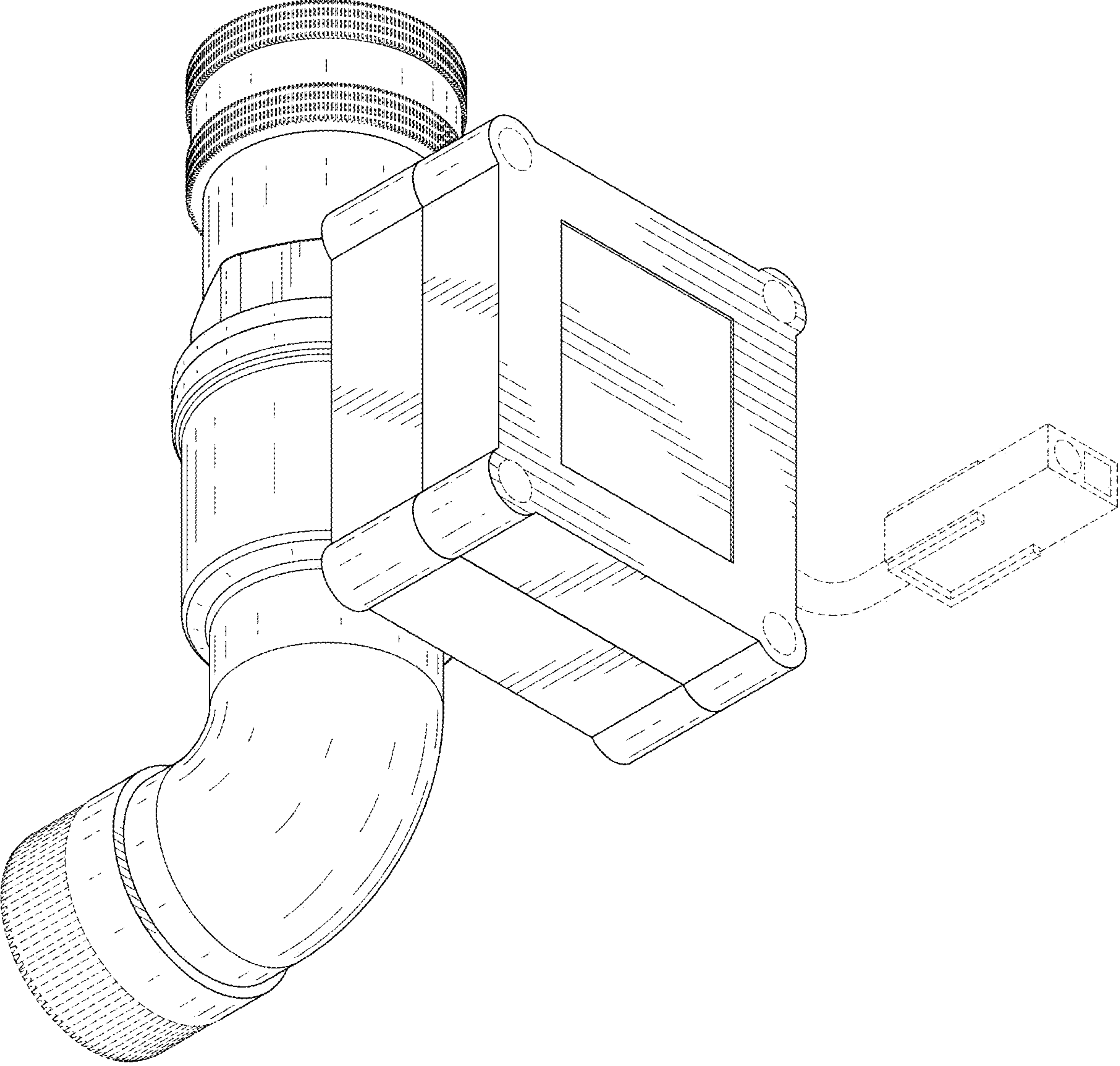


FIG. 2

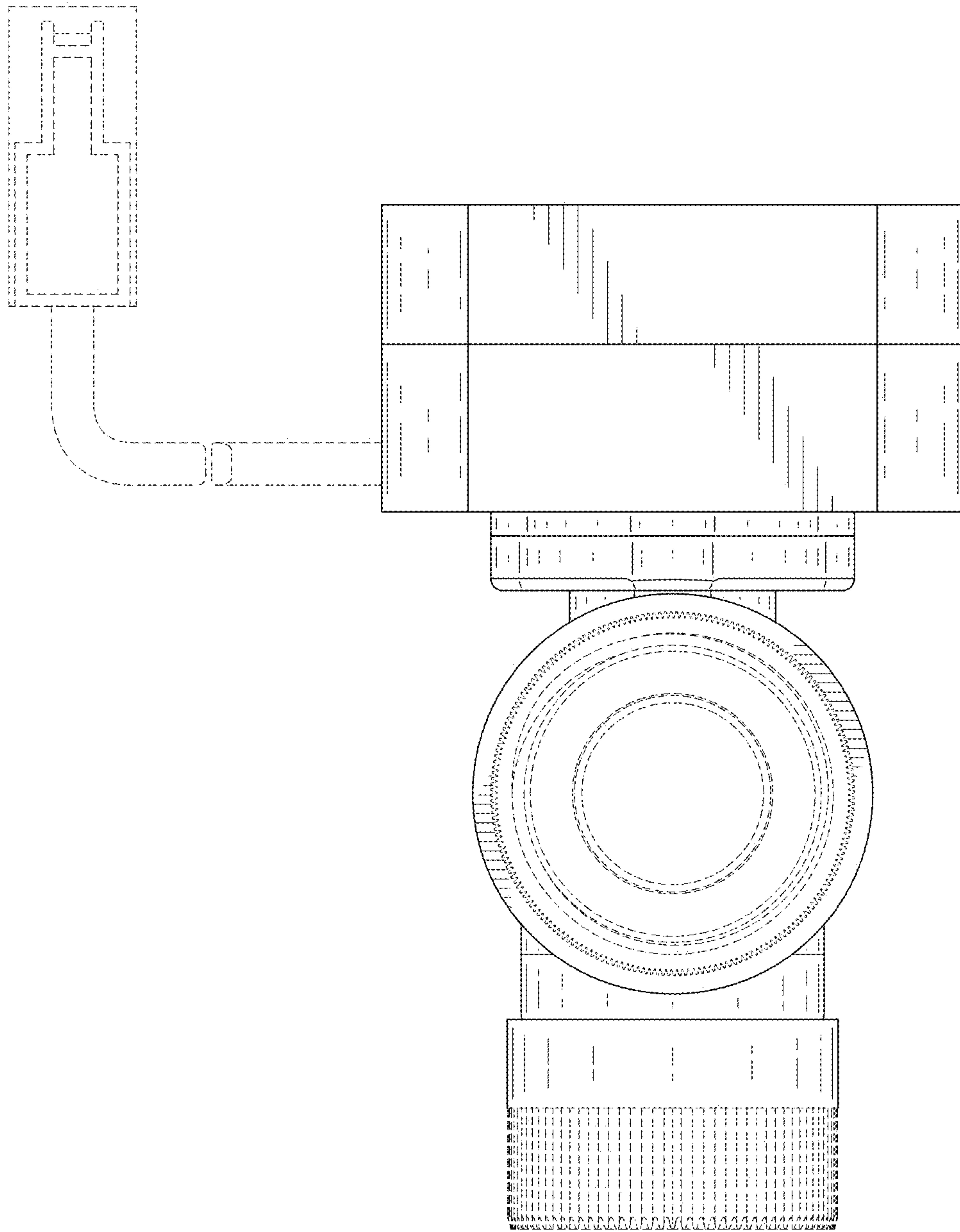


FIG. 3

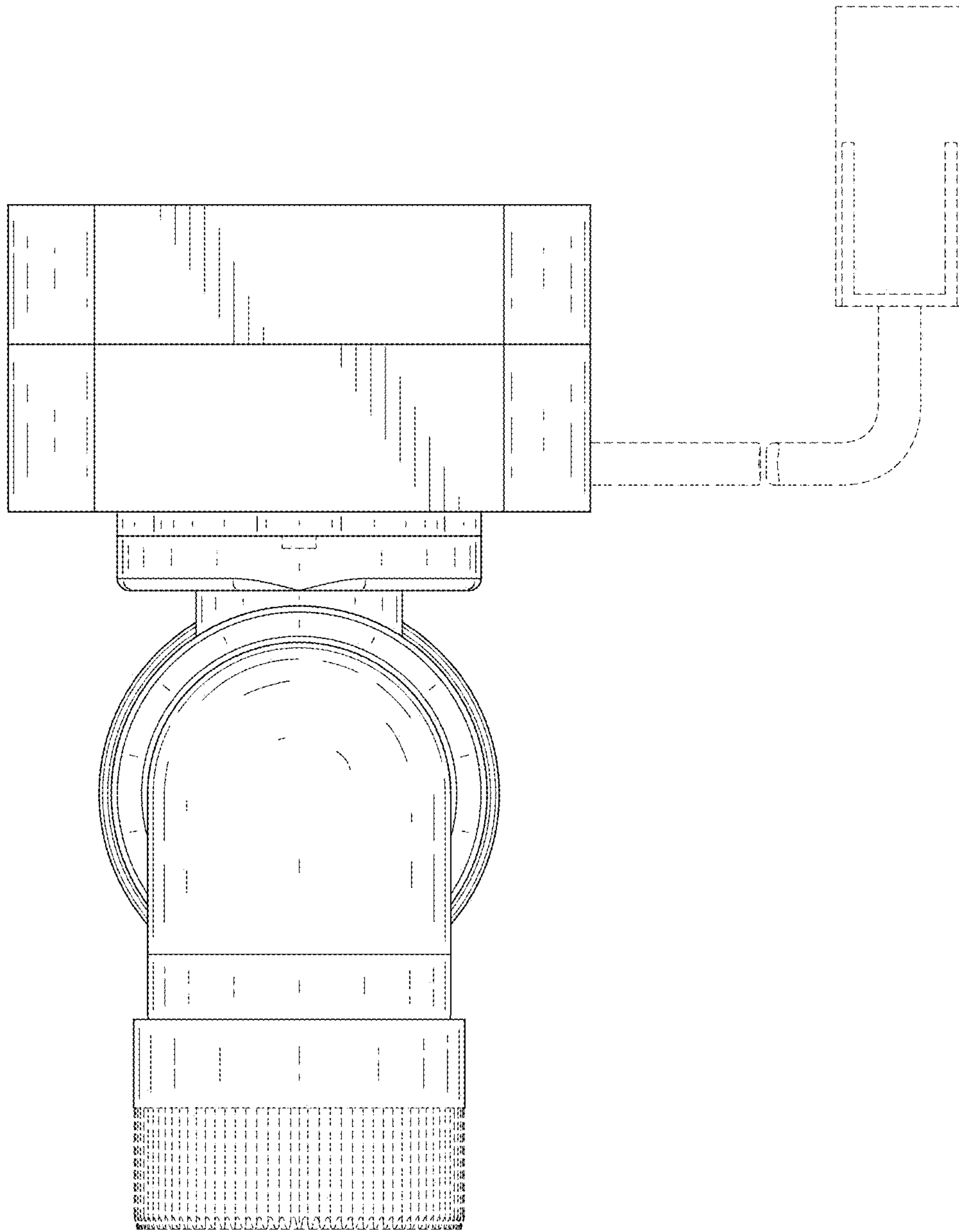


FIG. 4

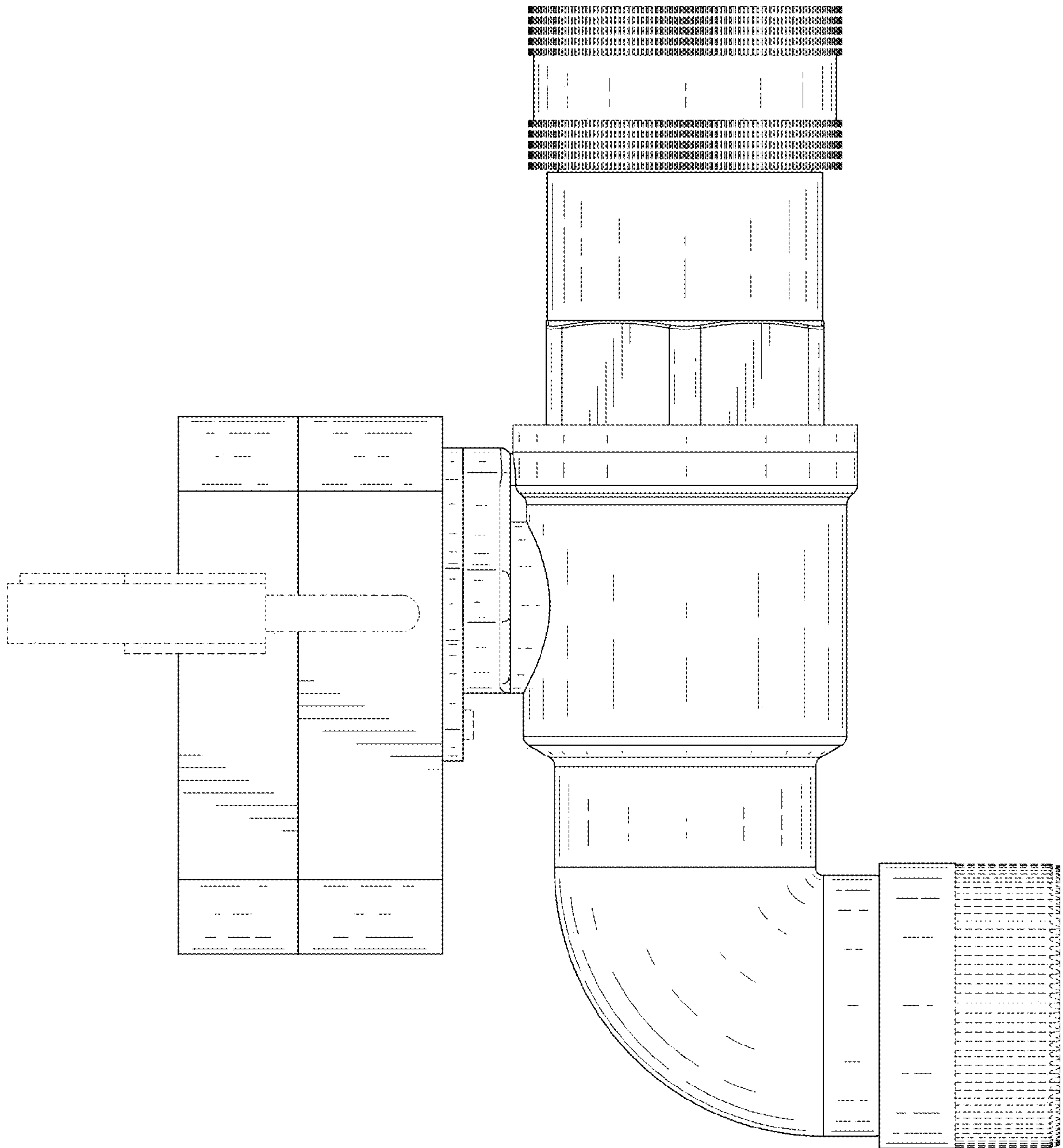


FIG. 5

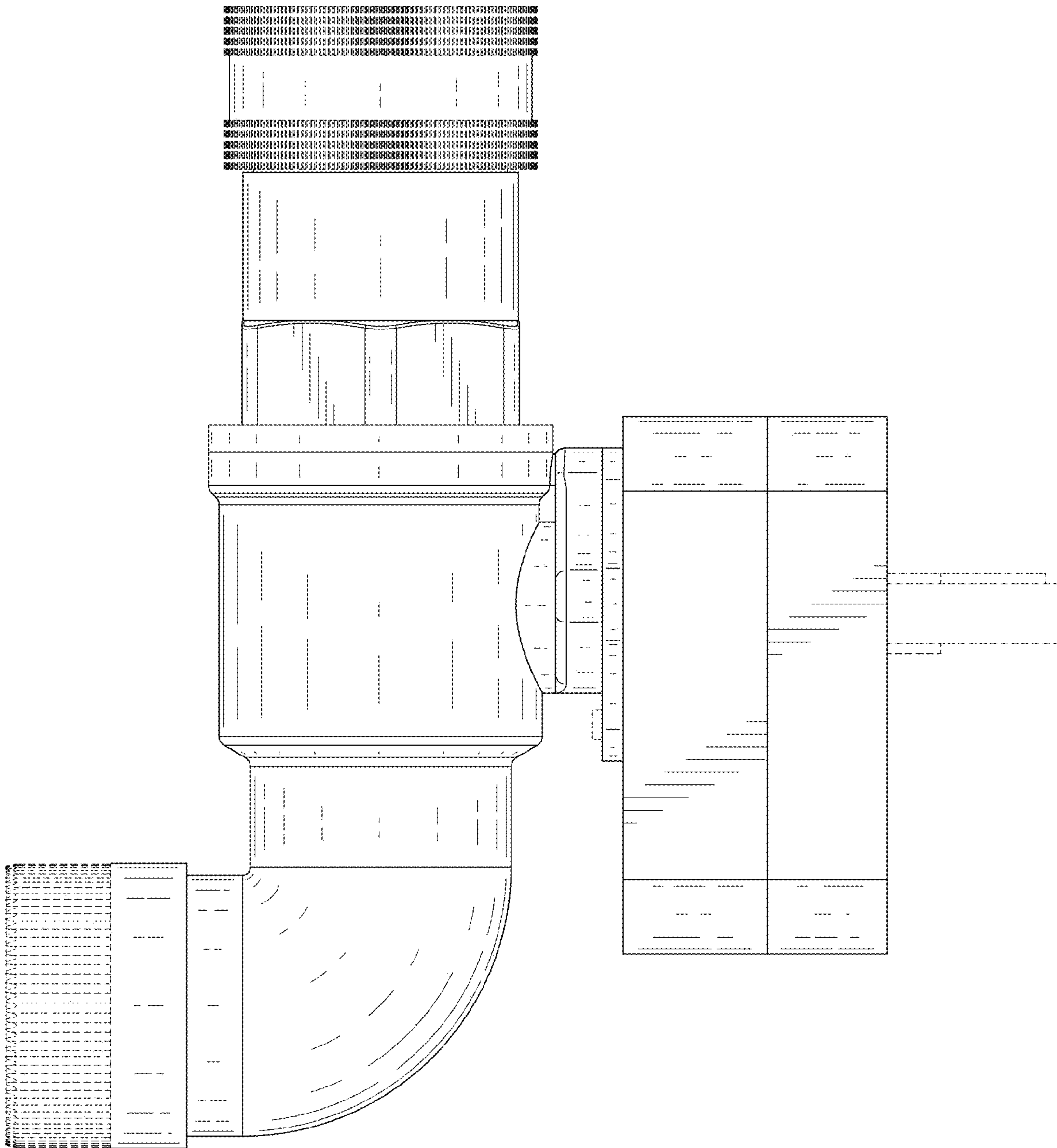


FIG. 6

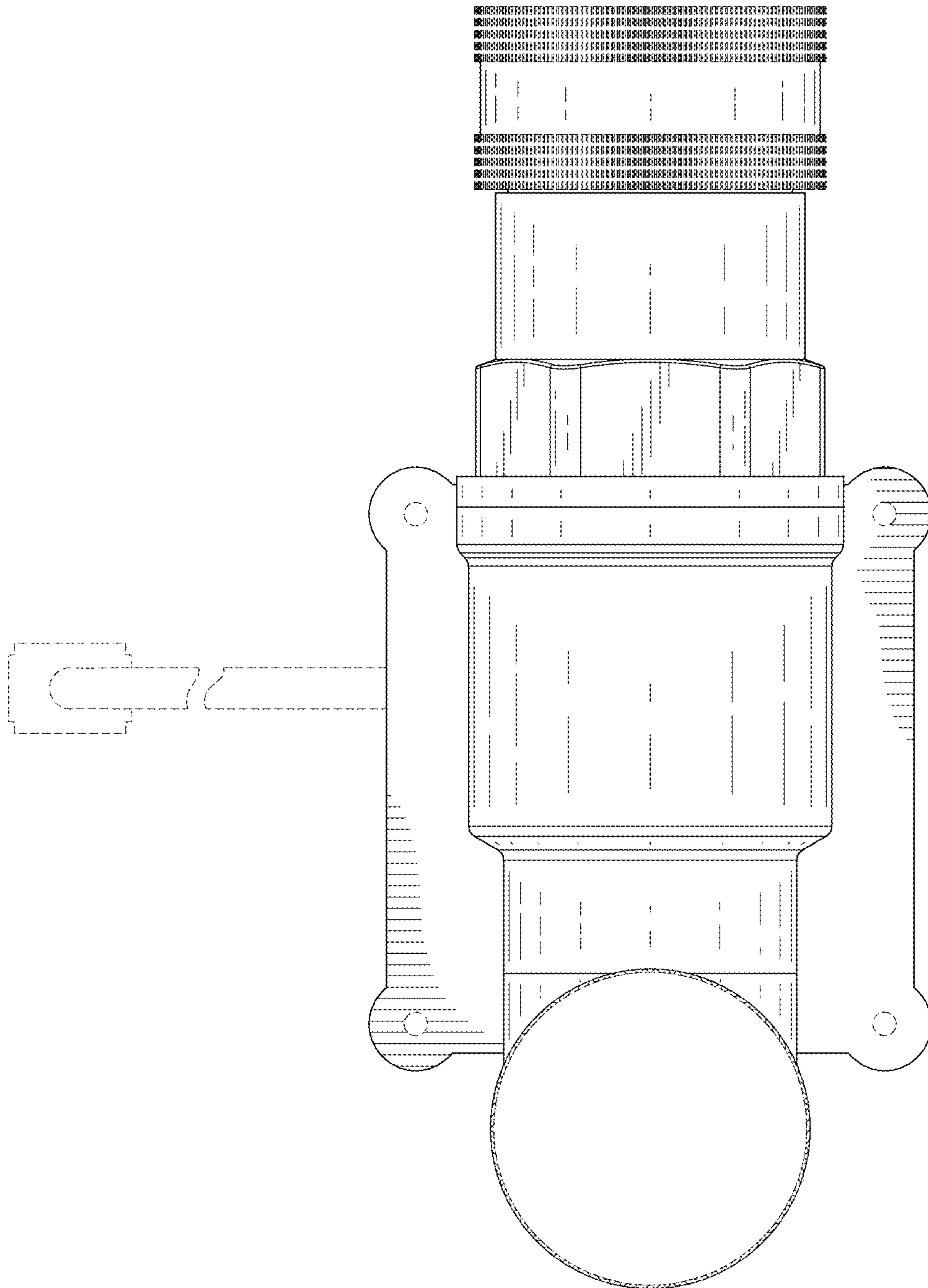


FIG. 7

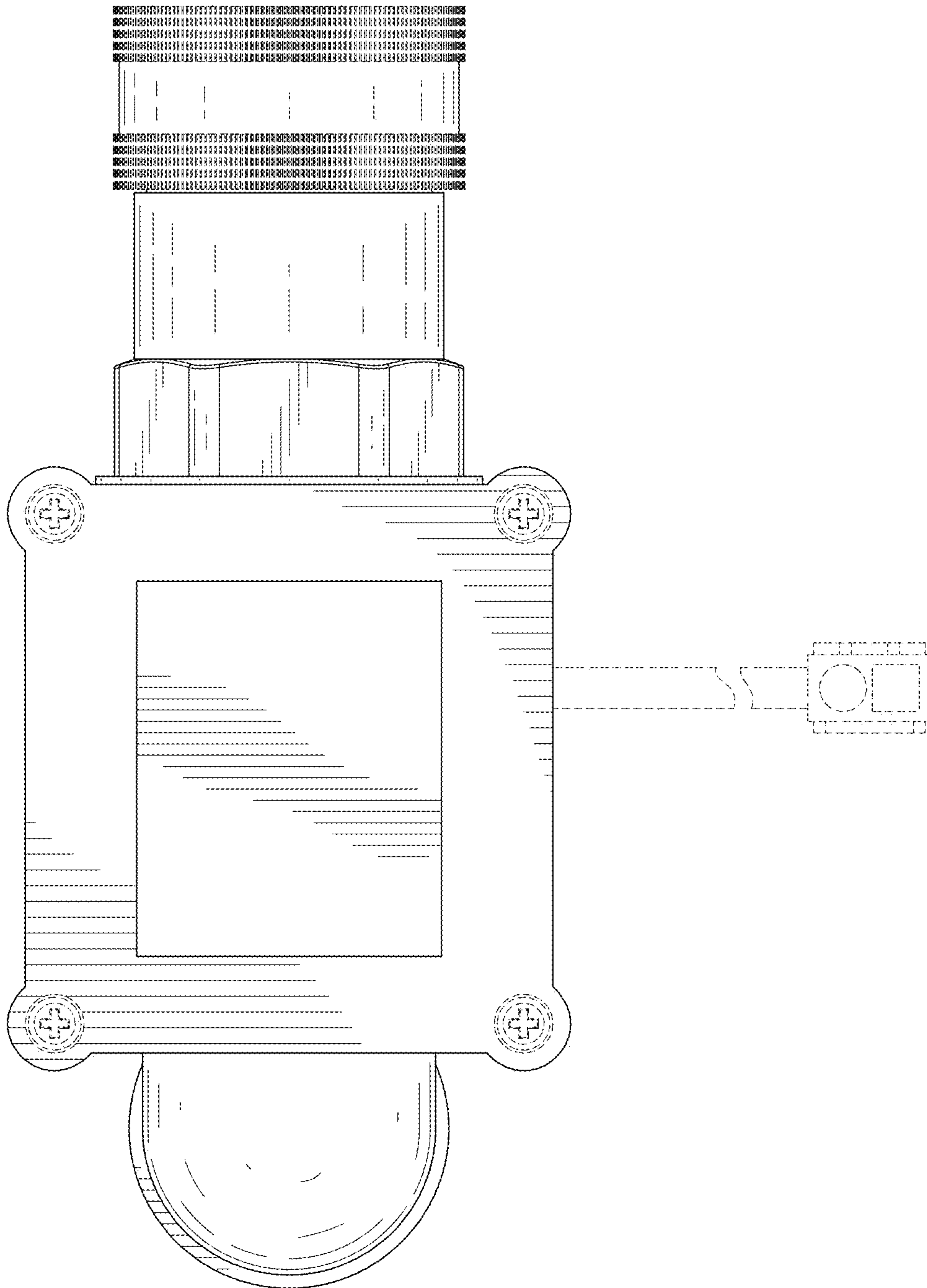


FIG. 8