



US00D916251S

(12) **United States Design Patent**
Huang et al.

(10) **Patent No.:** **US D916,251 S**
(45) **Date of Patent:** **** Apr. 13, 2021**

(54) **WATERING HOSE REPAIRER CONNECTOR**

(71) Applicant: **Fiskars Finland Oy Ab**, Helsinki (FI)

(72) Inventors: **Chao Huang**, Helsinki (FI); **Sami Lyytikäinen**, Helsinki (FI)

(73) Assignee: **FISKARS FINLAND OY AB**, Helsinki (FI)

(**) Term: **15 Years**

(21) Appl. No.: **29/715,581**

(22) Filed: **Dec. 3, 2019**

(30) **Foreign Application Priority Data**

Jun. 4, 2019 (EM) 006565594

(51) **LOC (13) Cl.** **23-01**

(52) **U.S. Cl.**
USPC **D23/262**

(58) **Field of Classification Search**
USPC 137/551–552; 251/331; D23/213, 233, D23/235, 259–262, 264–266, 249; 285/91, 345, 377, 388, 390, 16, 45, 285/148.22, 148.26, 244, 384, 395, 420, 285/189; D24/112, 127, 129, 108, 110.6, D24/113, 130; D13/133, 154–156; 138/109; 604/535; 403/11, 34, 196–197, 403/222, 325, 329, 334, 343
CPC F16L 11/00
See application file for complete search history.

(56) **References Cited**

U.S. PATENT DOCUMENTS

D395,502 S * 6/1998 Deily D24/112
D437,919 S * 2/2001 Chao D23/262

D438,603 S * 3/2001 Chao D23/262
D458,351 S * 6/2002 Chen D23/262
D458,352 S * 6/2002 Chen D23/262
D575,377 S * 8/2008 Roman D23/259
D613,373 S * 4/2010 Zore D23/233
D687,528 S * 8/2013 Meyer D23/262
D706,904 S * 6/2014 Faraon Chaul Huerta .. D23/233
D733,846 S * 7/2015 Guest D23/262
D748,762 S * 2/2016 Naslund D23/262
D822,800 S * 7/2018 Naslund D23/262
2010/0295292 A1* 11/2010 Wang F16L 33/224
285/24
2013/0181446 A1* 7/2013 Le Clinche F16L 37/0915
285/345
2013/0257043 A1* 10/2013 Guest F16L 37/101
285/322

* cited by examiner

Primary Examiner — Amy C Wierenga
(74) *Attorney, Agent, or Firm* — Leason Ellis LLP

(57) **CLAIM**

The ornamental design for a watering hose repairer connector, as shown and described.

DESCRIPTION

FIG. 1 is a perspective view of our watering hose repairer connector according to our new design; FIG. 2 is a front elevation view thereof; FIG. 3 is a rear elevation view thereof; FIG. 4 is a right side elevation view thereof; FIG. 5 is a left side elevation view thereof; FIG. 6 is a top plan view thereof; and, FIG. 7 is a bottom plan view thereof. The perspective view of FIG. 1 shows an interior of the watering hose repairer connector that is rotationally symmetric as shown in FIG. 2.

1 Claim, 7 Drawing Sheets

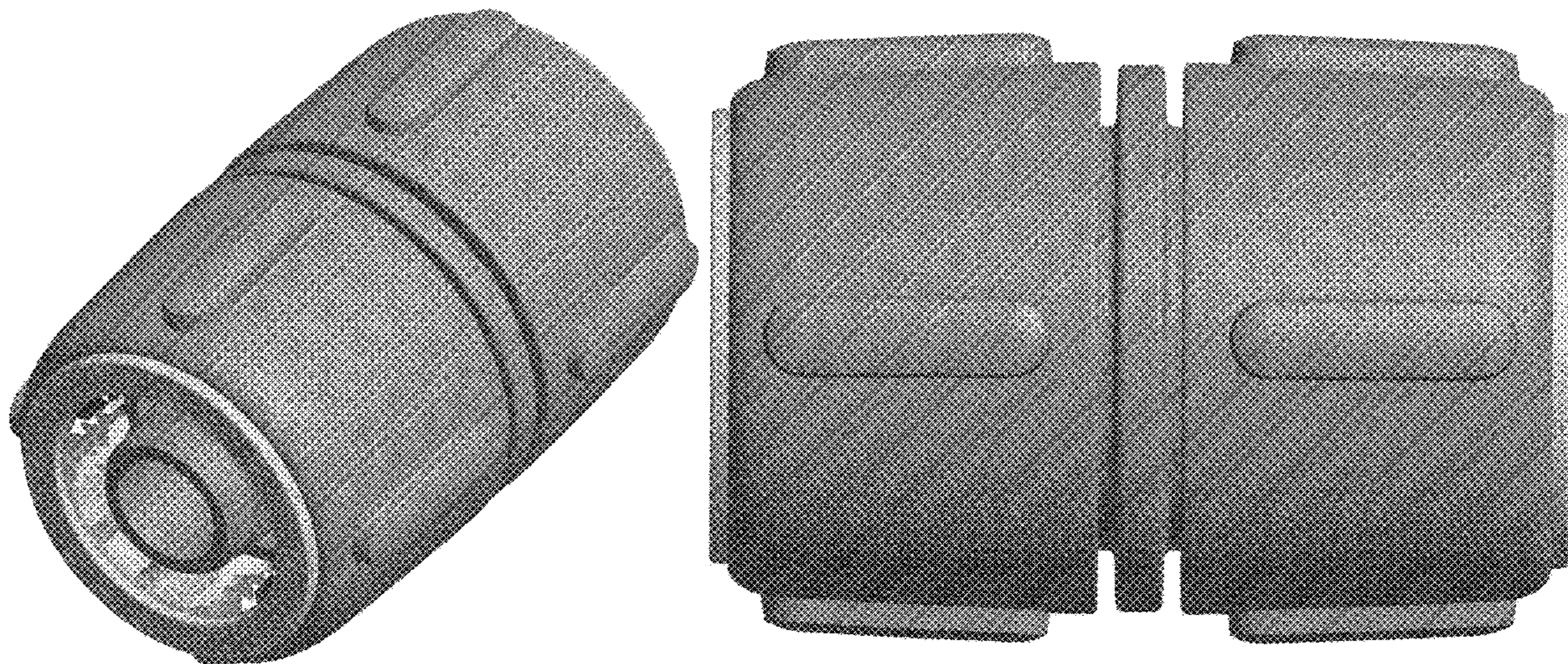




FIG. 1

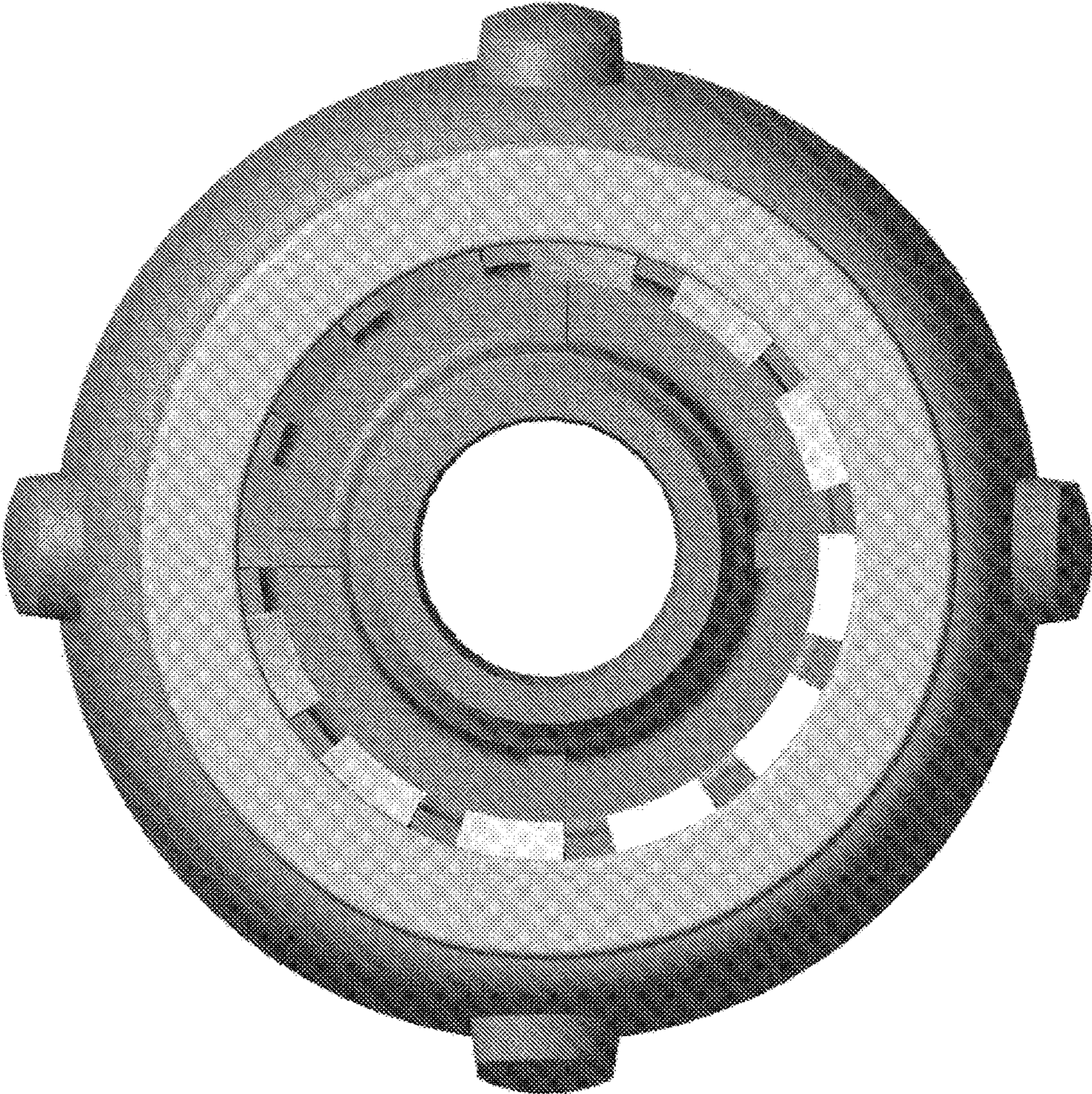


FIG. 2

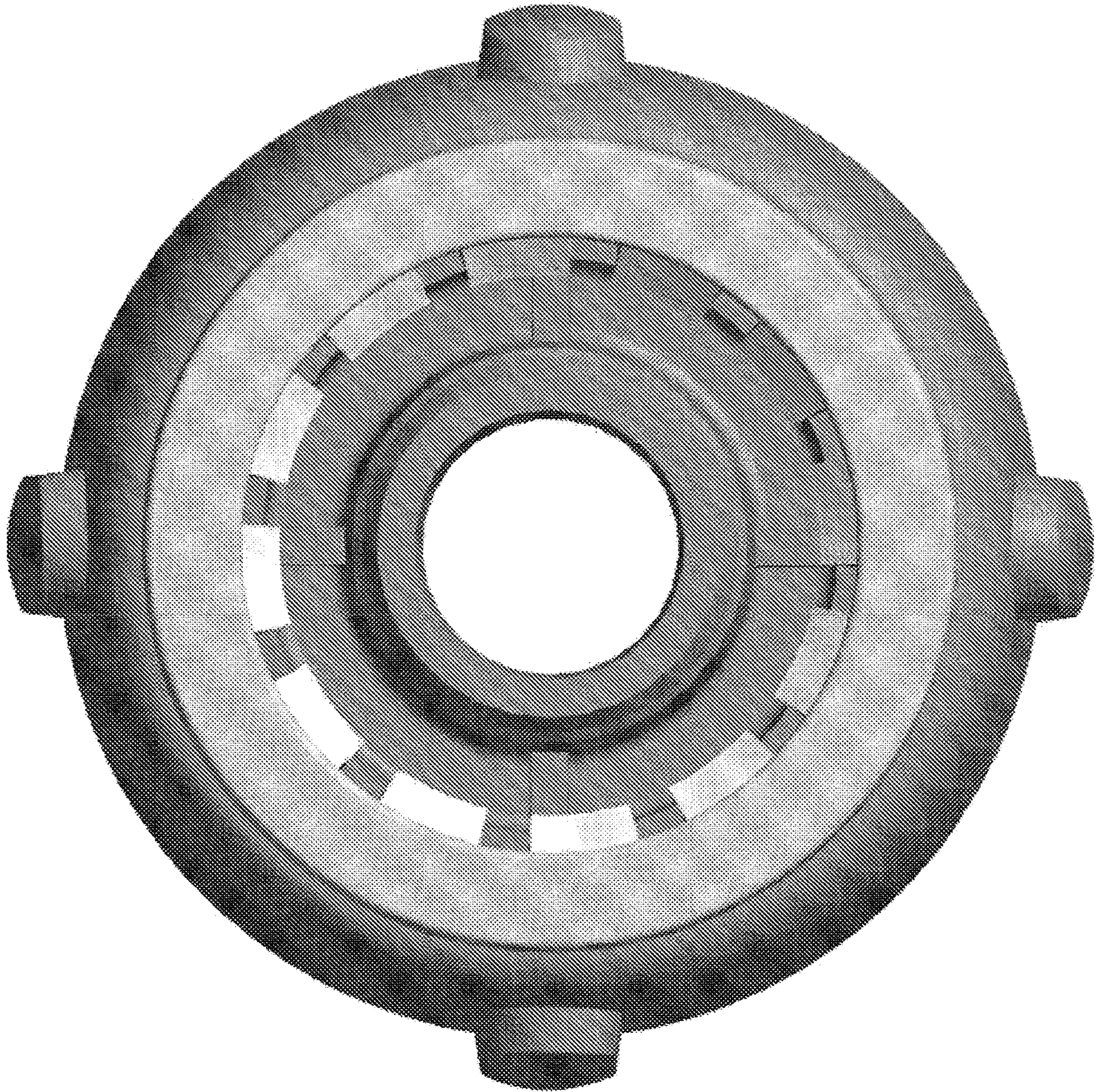


FIG. 3

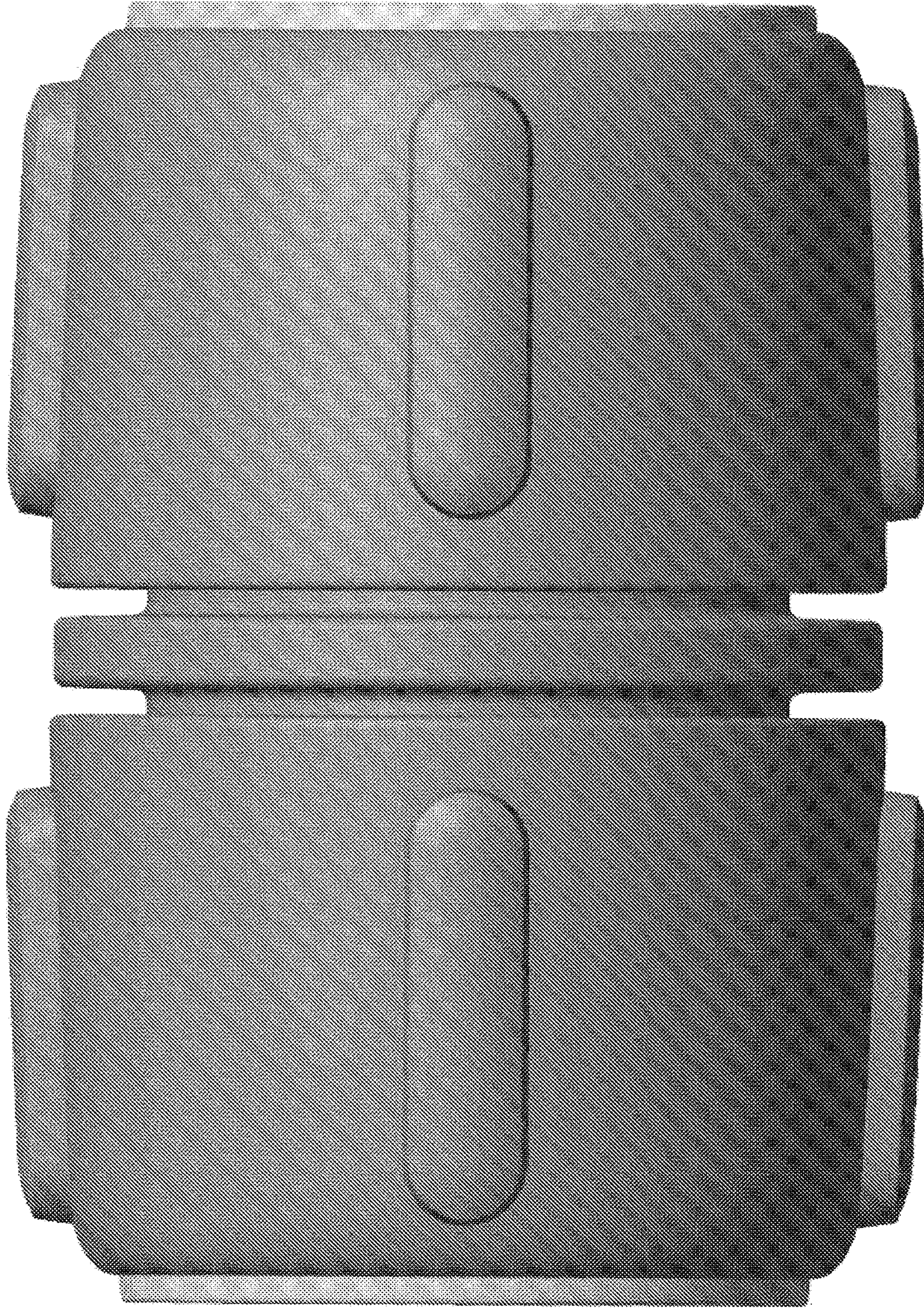


FIG. 4

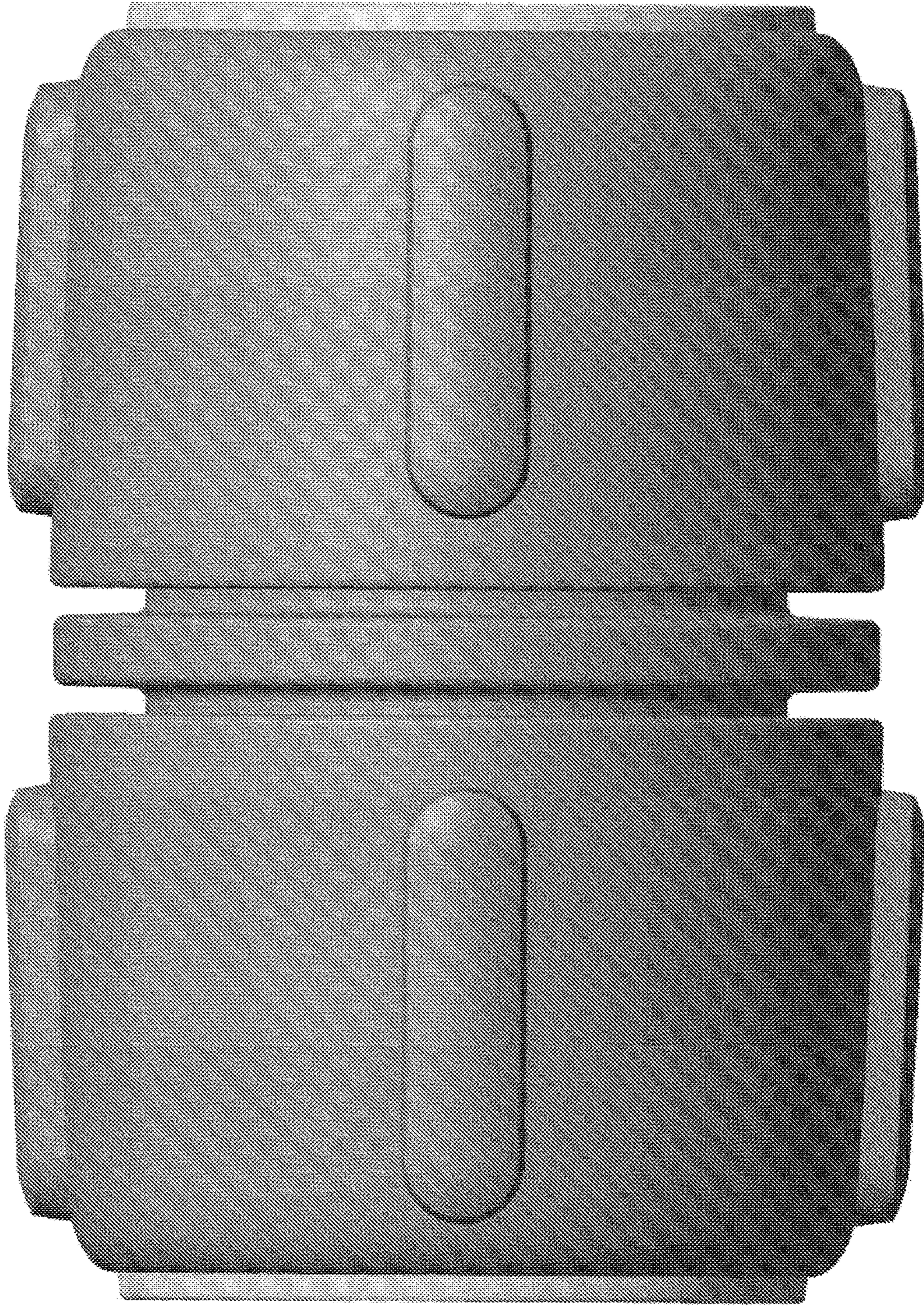


FIG. 5

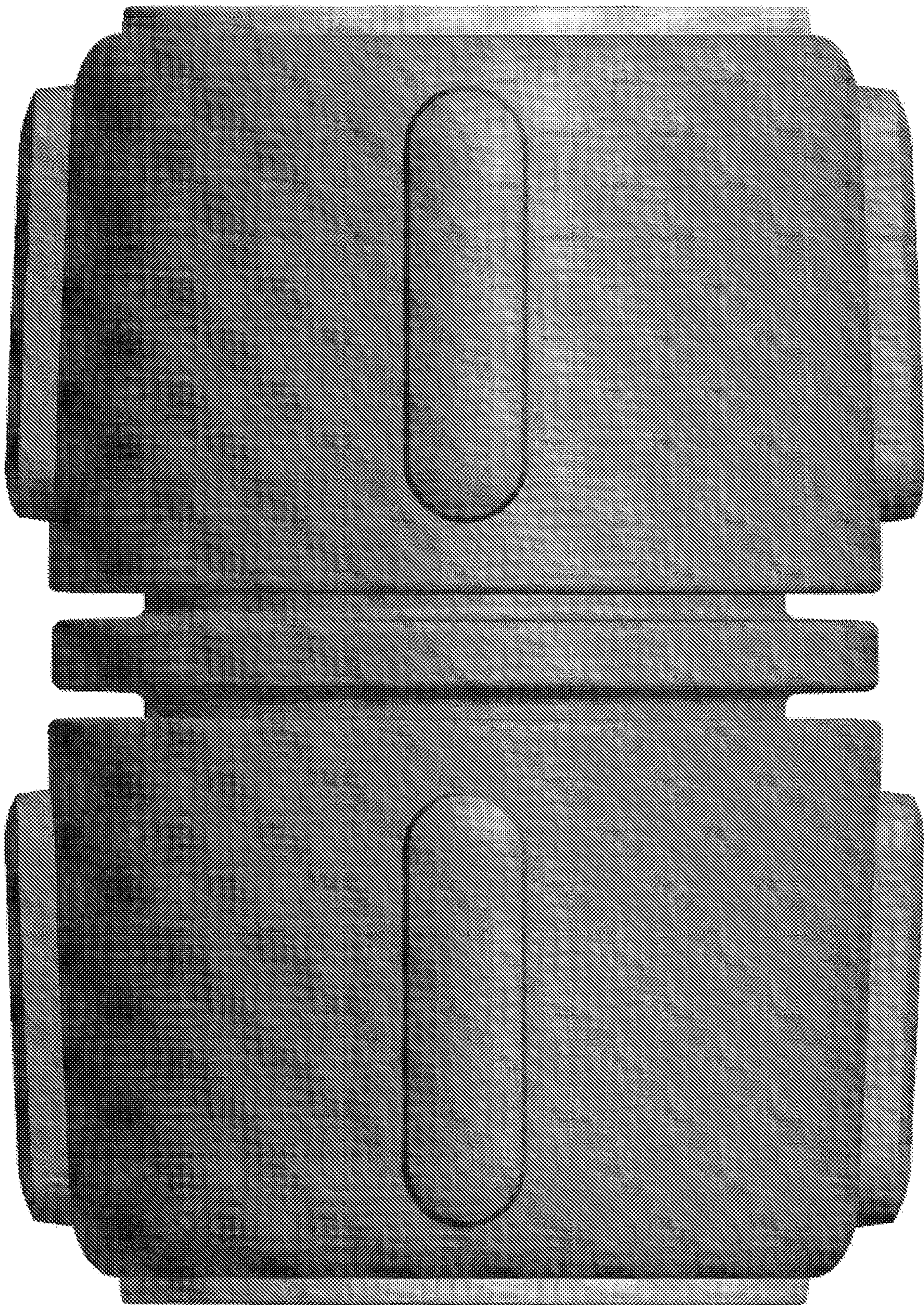


FIG. 6

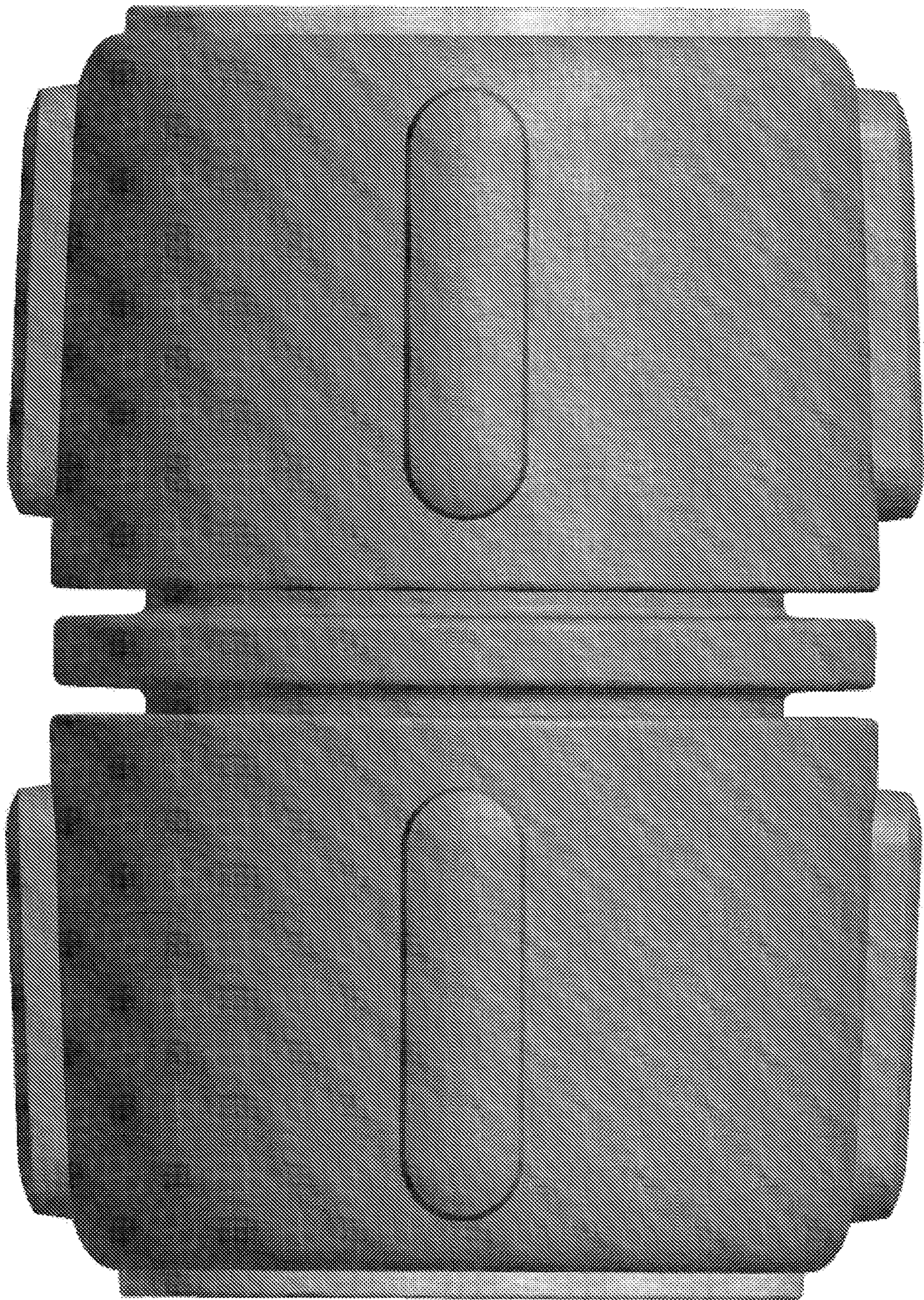


FIG. 7