



US00D916247S

(12) **United States Design Patent**
Hamasaki et al.

(10) **Patent No.:** **US D916,247 S**

(45) **Date of Patent:** **** Apr. 13, 2021**

(54) **FITTING**

(71) Applicant: **SMC CORPORATION**, Tokyo (JP)

(72) Inventors: **Hitoshi Hamasaki**, Tsukubamirai (JP);
Kenji Sakairi, Tsukubamirai (JP)

(73) Assignee: **SMC CORPORATION**, Tokyo (JP)

(**) Term: **15 Years**

(21) Appl. No.: **29/722,545**

(22) Filed: **Jan. 30, 2020**

(30) **Foreign Application Priority Data**

Jul. 31, 2019 (CN) 201930413454.5

(51) **LOC (13) Cl.** **23-01**

(52) **U.S. Cl.**
USPC **D23/259**

(58) **Field of Classification Search**

USPC 137/551-552; 251/331; D23/213, 233,
D23/235, 259-262, 264-266, 249;
285/91, 345, 377, 388, 390, 16, 45,
285/148.22, 148.26, 244, 384, 395, 420,
285/189; D24/112, 127, 129, 108, 110.6,
D24/113, 130; D13/133, 154-156;
138/109; 604/535

CPC F16L 11/00
See application file for complete search history.

(56) **References Cited**

U.S. PATENT DOCUMENTS

D406,881 S * 3/1999 Kuwabara D23/262
D412,738 S * 8/1999 Kuwabara D23/233
D441,436 S * 5/2001 Chao D23/262
D473,633 S * 4/2003 Chun-Lee D23/262
D521,614 S * 5/2006 Kitagawa D23/262
D570,457 S * 6/2008 Brown D23/262
D608,424 S 1/2010 Katsuta et al.

D613,372 S * 4/2010 Zore D23/233
D613,373 S * 4/2010 Zore D23/233
D645,547 S * 9/2011 Lombardi D23/262
D719,244 S * 12/2014 Yang D23/262
D725,747 S * 3/2015 Alexander D23/233
D760,363 S * 6/2016 Yang D23/262
D781,787 S 3/2017 Spiel

(Continued)

Primary Examiner — Amy C Wierenga

(74) *Attorney, Agent, or Firm* — Birch, Stewart, Kolasch
& Birch LLP

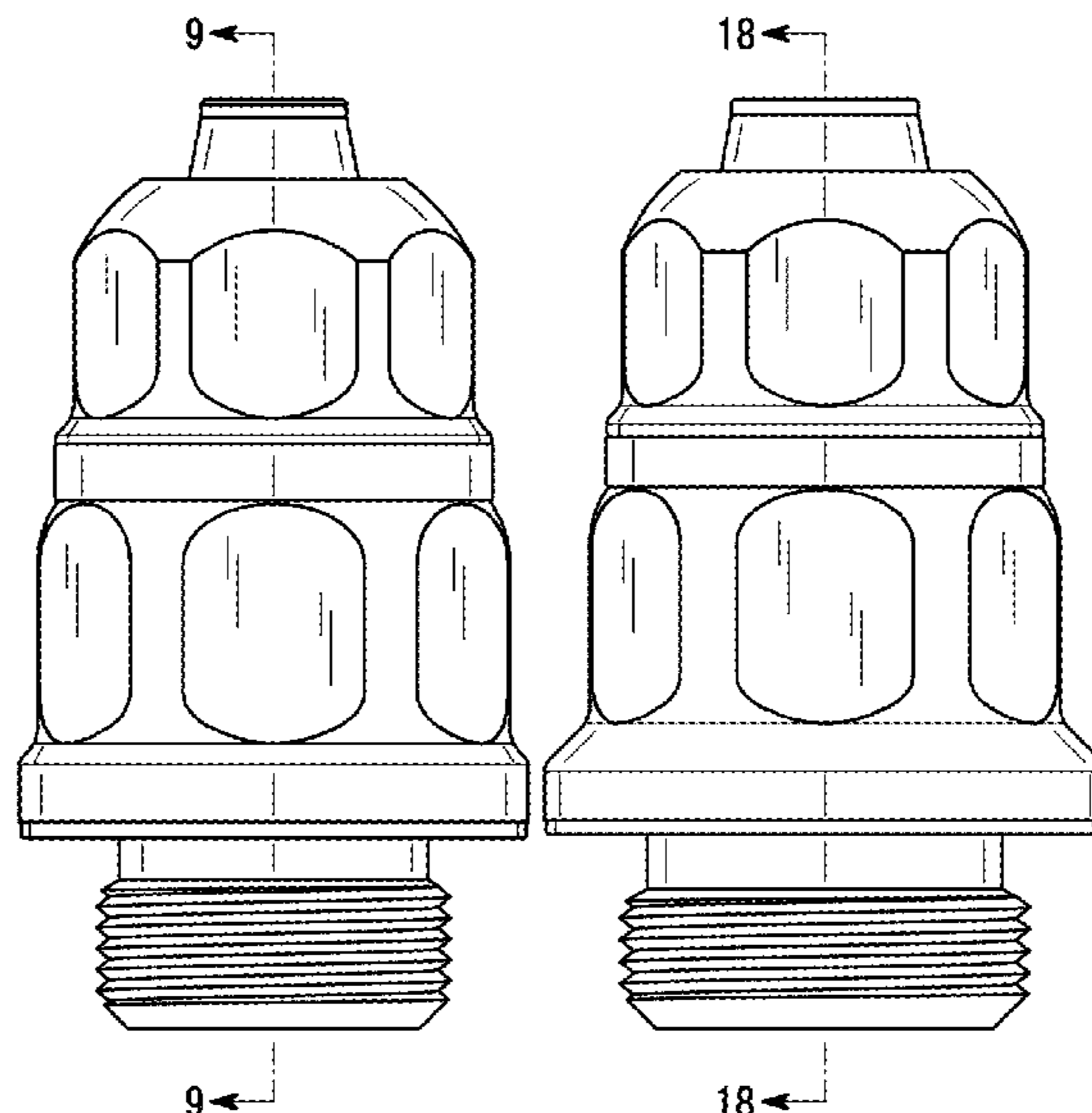
(57) **CLAIM**

The ornamental design for a fitting, as shown and described.

DESCRIPTION

FIG. 1 is a front, top and left side perspective view of a fitting showing a first embodiment of our new design; FIG. 2 is a bottom, rear and left perspective view thereof; FIG. 3 is a front view thereof; FIG. 4 is a rear view thereof; FIG. 5 is a top plan view thereof; FIG. 6 is a bottom plan view thereof; FIG. 7 is a left side view thereof; FIG. 8 is a right side view thereof; FIG. 9 is a sectional view taken along the line 9-9 of FIG. 3; FIG. 10 is a front, top and left side perspective view of a fitting showing a second embodiment of our new design; FIG. 11 is a bottom, rear and left perspective view of FIG. 10; FIG. 12 is a front view of FIG. 10; FIG. 13 is a rear view of FIG. 10; FIG. 14 is a top plan view of FIG. 10; FIG. 15 is a bottom plan view of FIG. 10; FIG. 16 is a left side view of FIG. 10; FIG. 17 is a right side view of FIG. 10; and, FIG. 18 is a sectional view taken along the line 18-18 of FIG. 12.

1 Claim, 18 Drawing Sheets



(56)

References Cited

U.S. PATENT DOCUMENTS

9,709,194 B1 * 7/2017 Pan F16L 11/20
D830,312 S 10/2018 Nguyen et al.
D834,688 S 11/2018 Khubani

* cited by examiner

FIG. 1

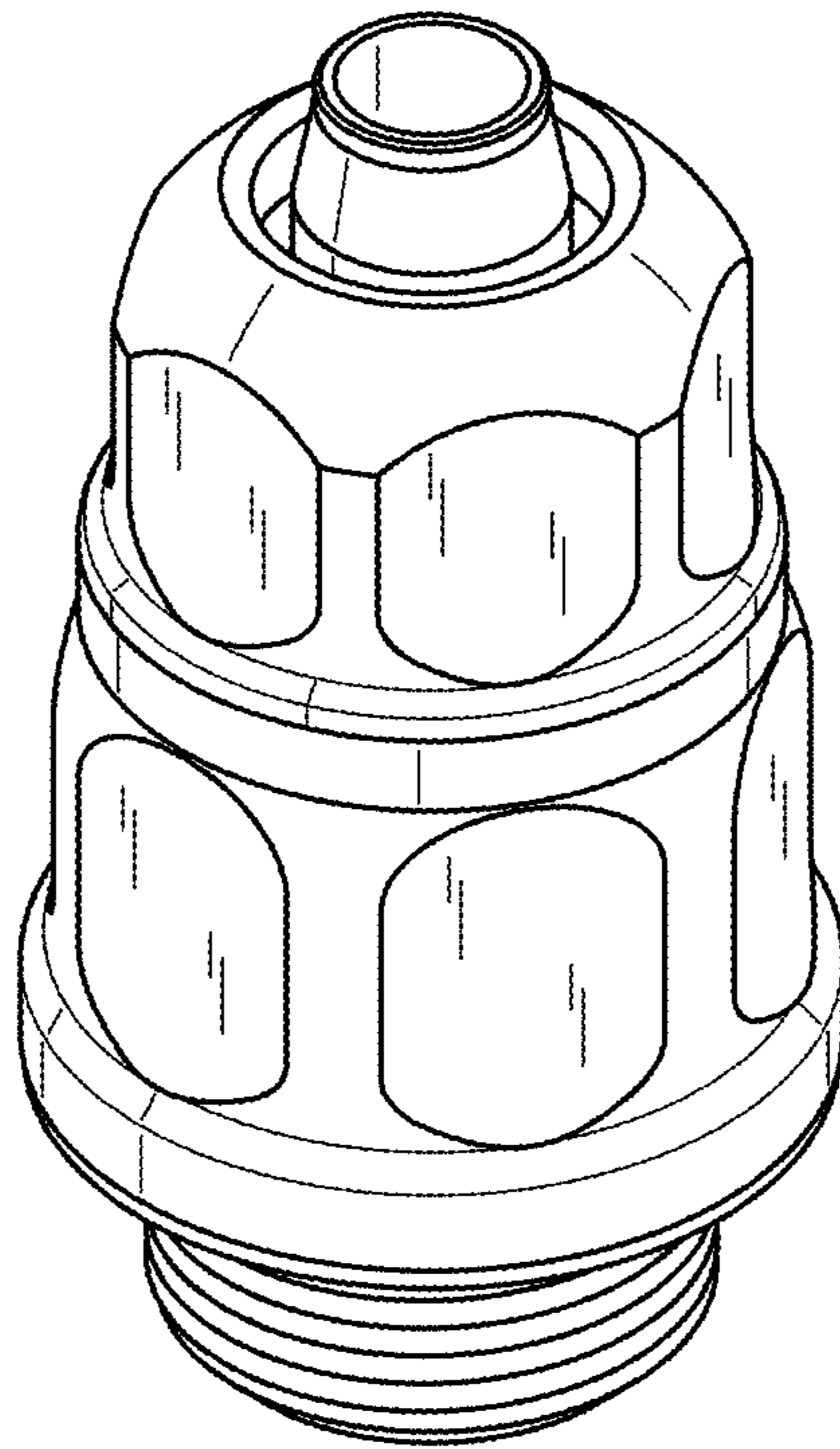


FIG. 2

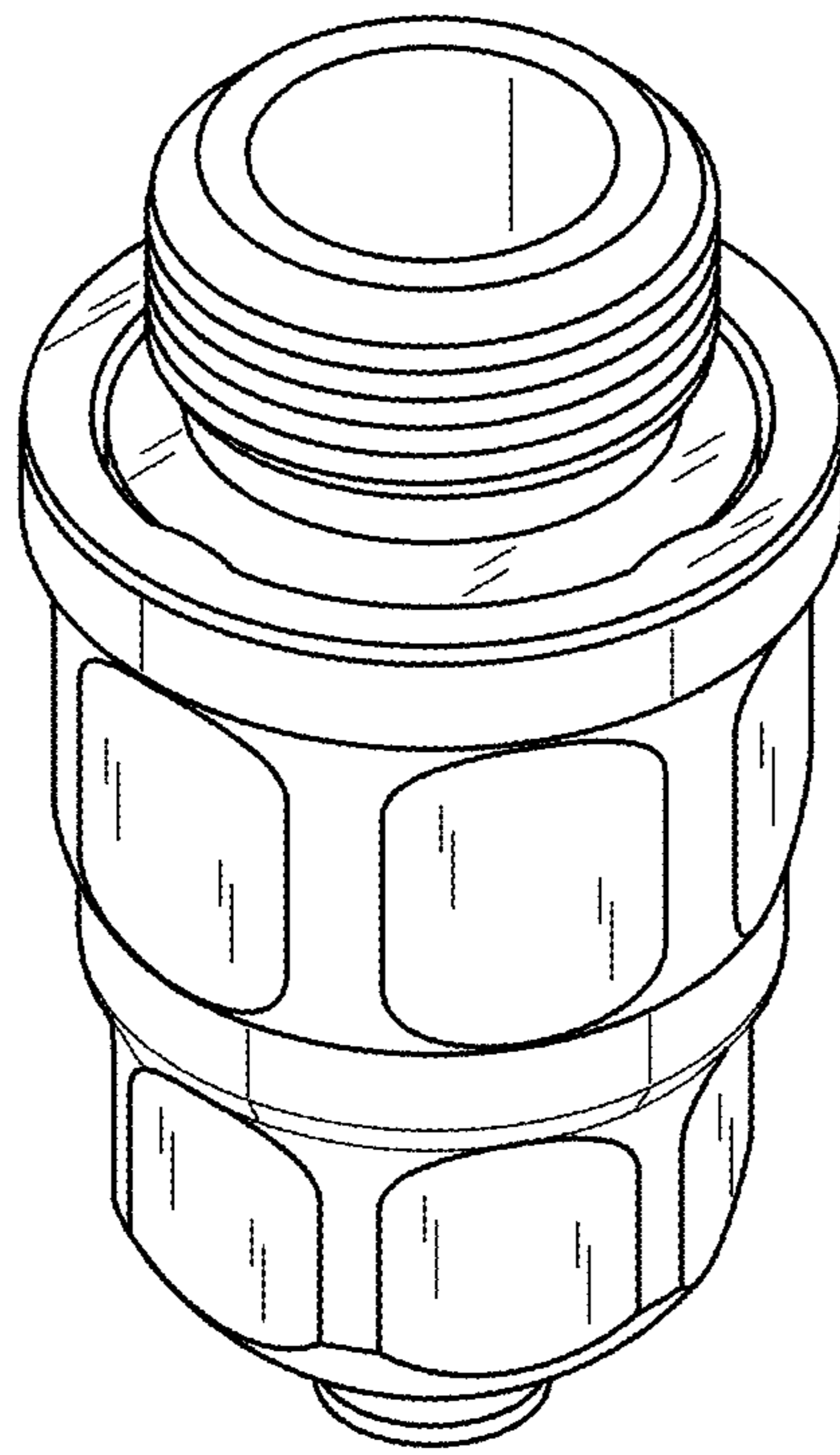


FIG. 3

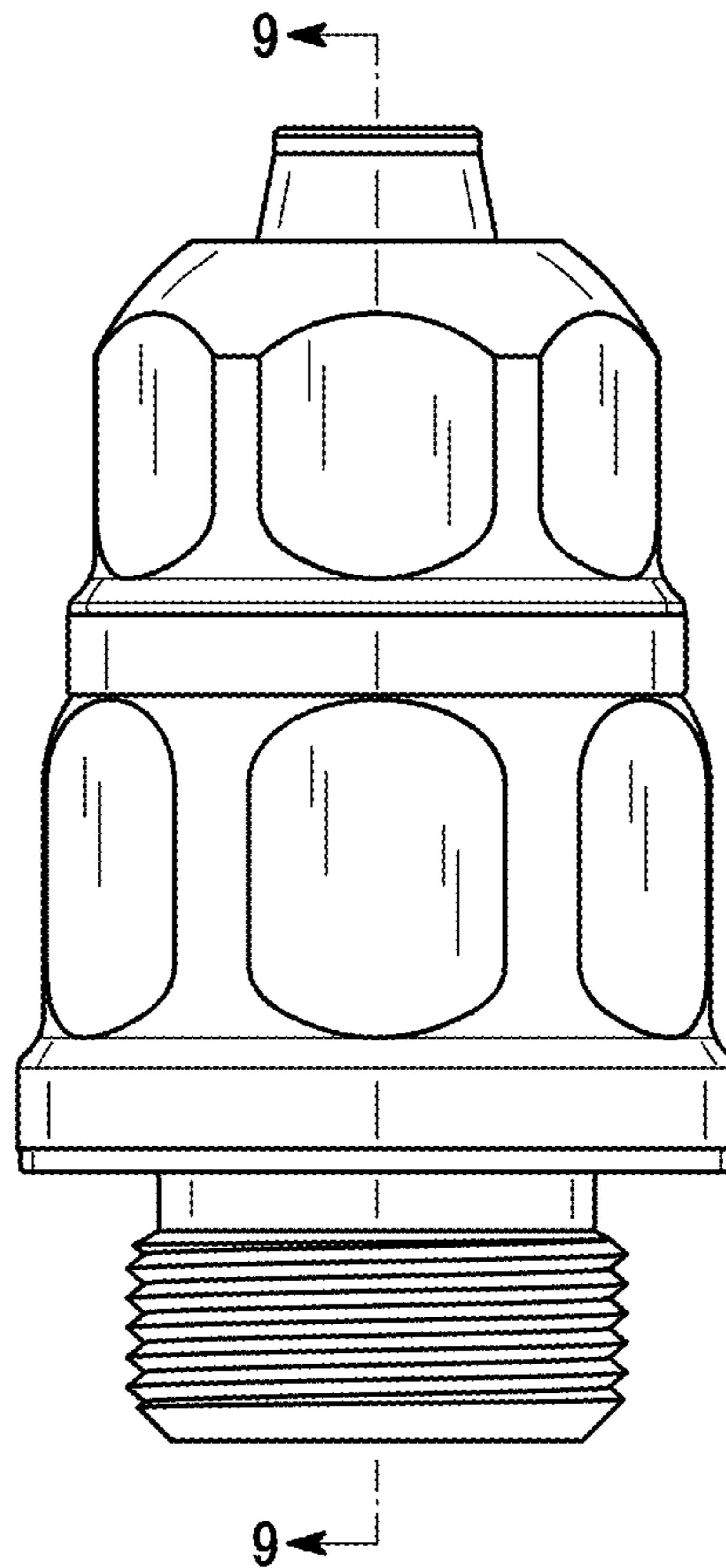


FIG. 4

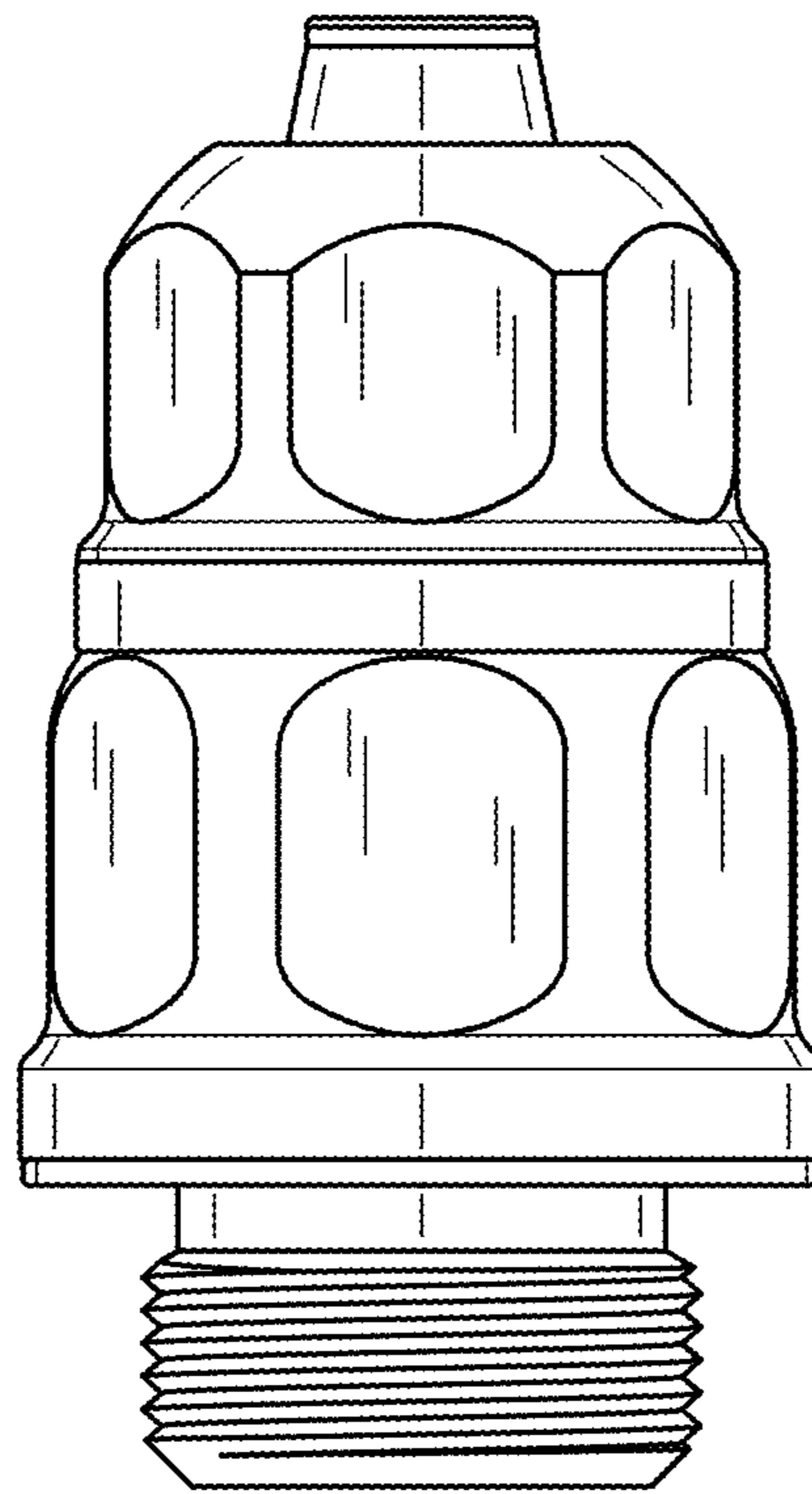


FIG. 5

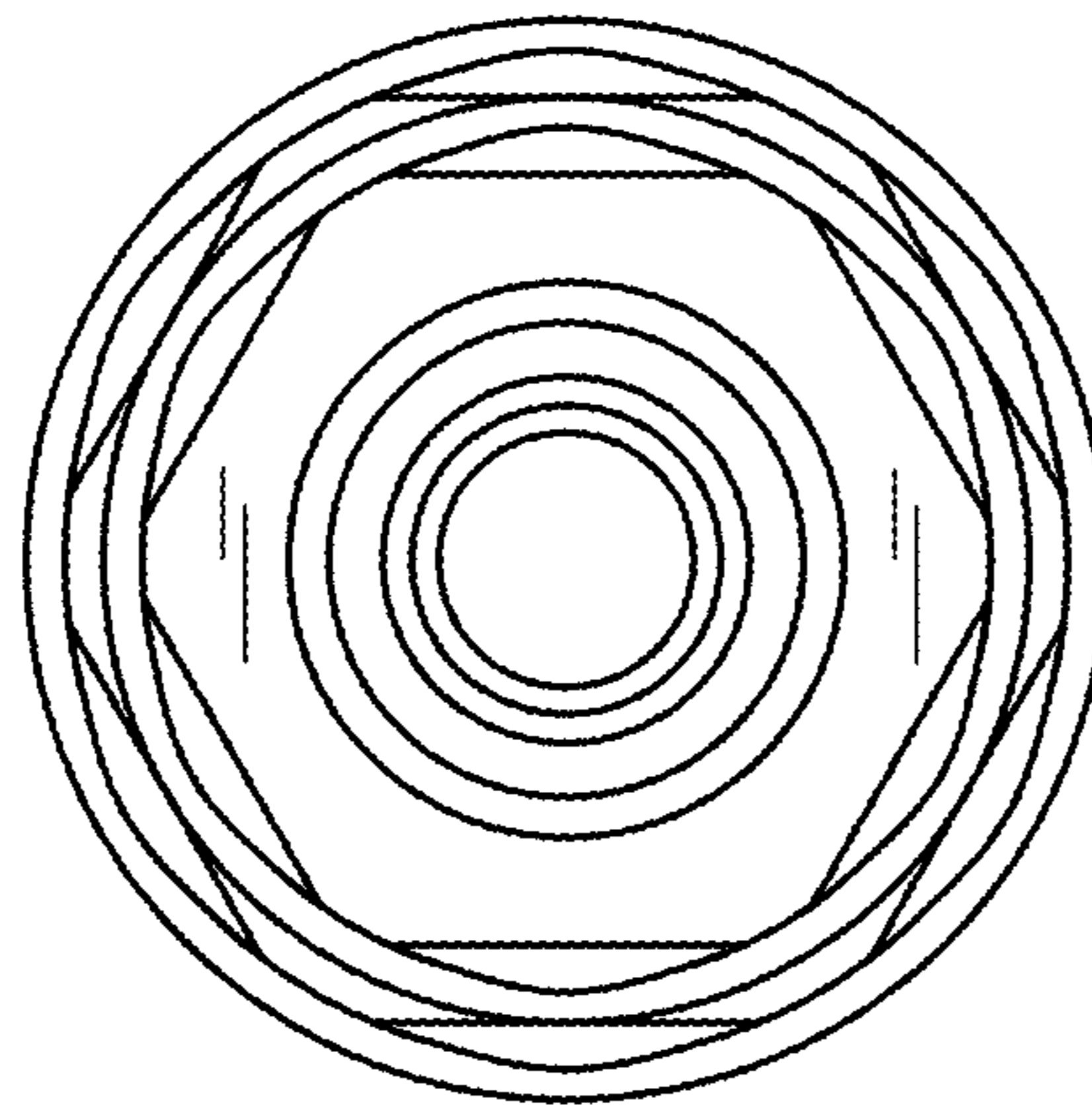


FIG. 6

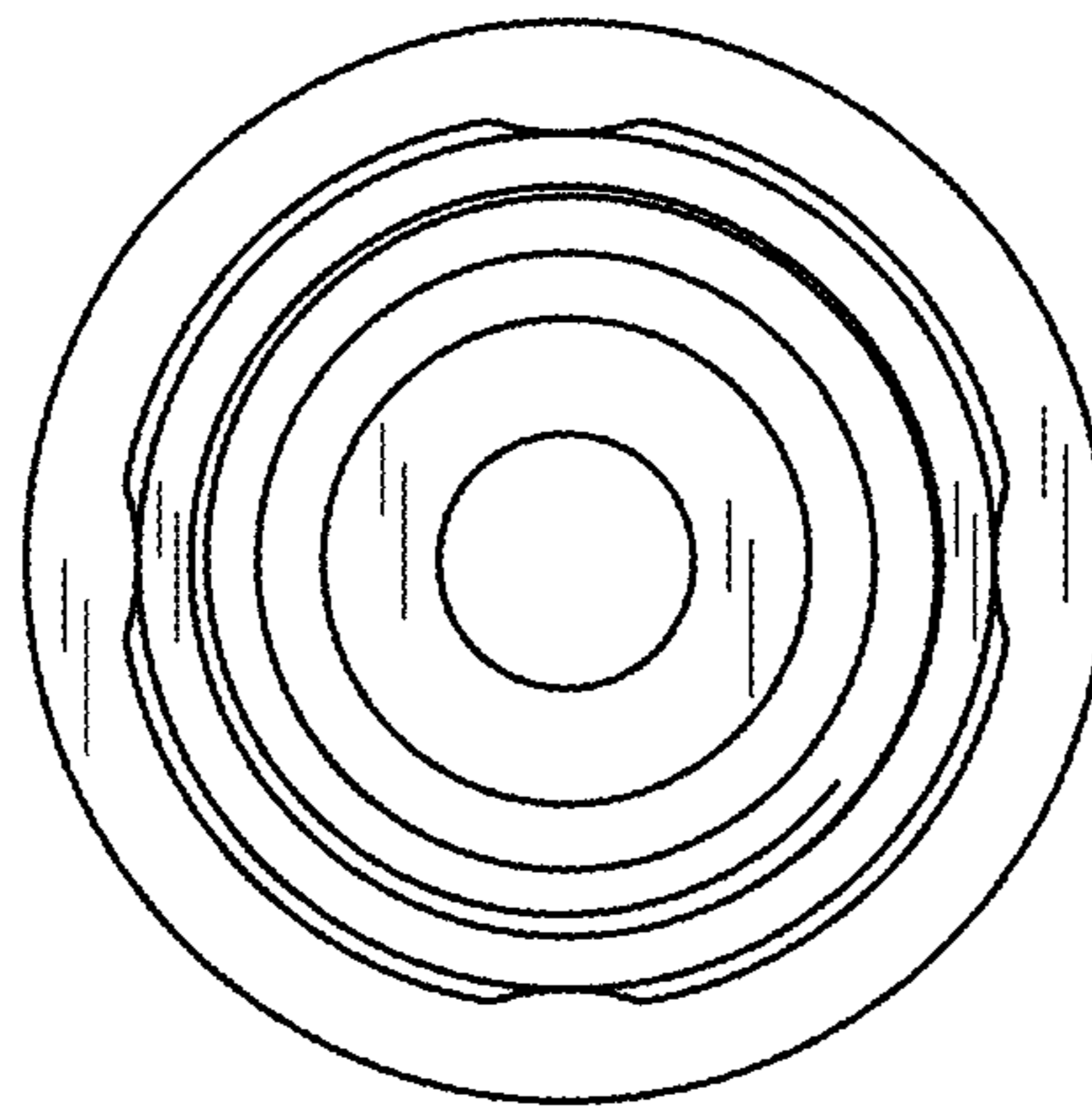


FIG. 7

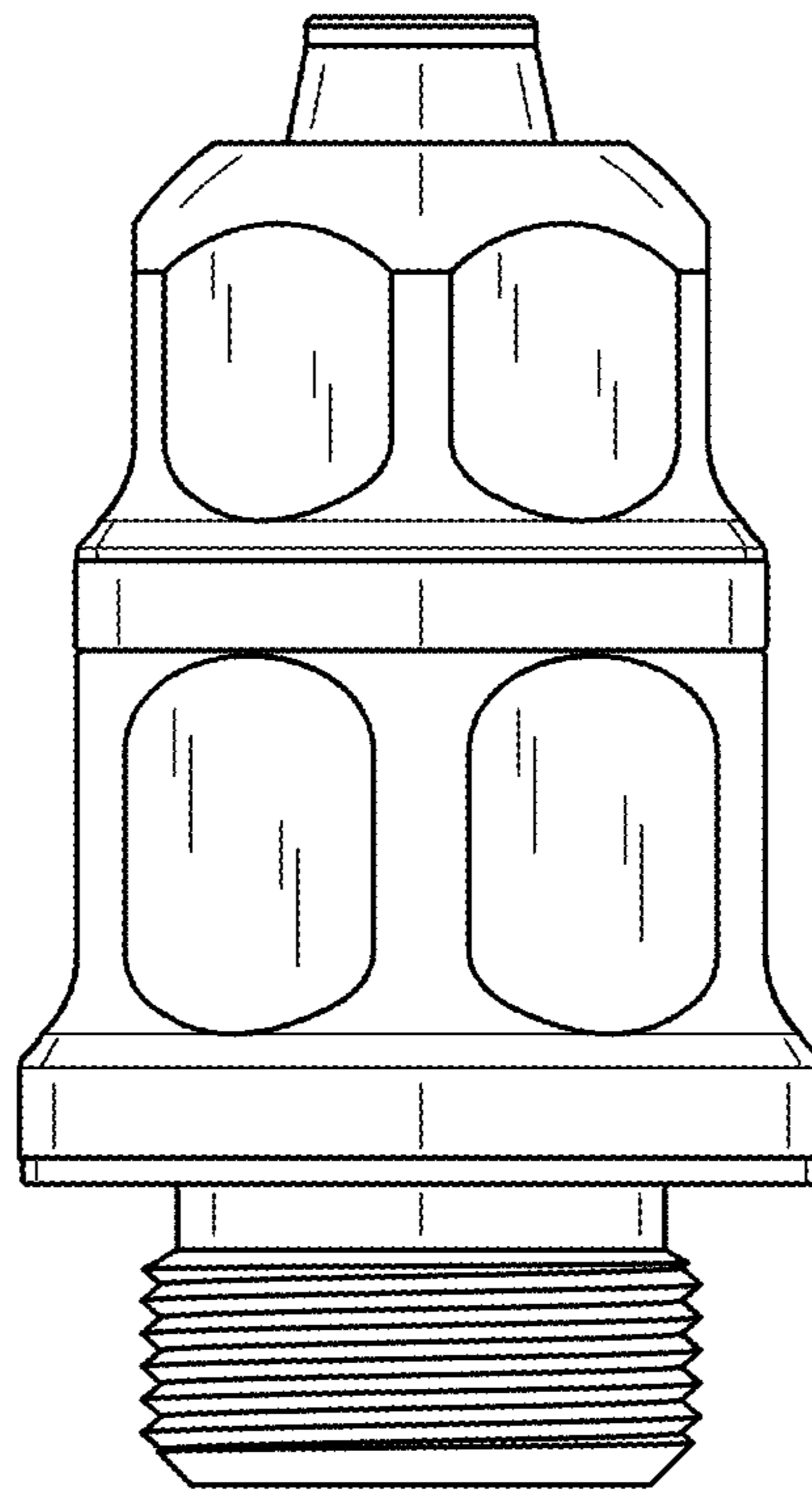


FIG. 8

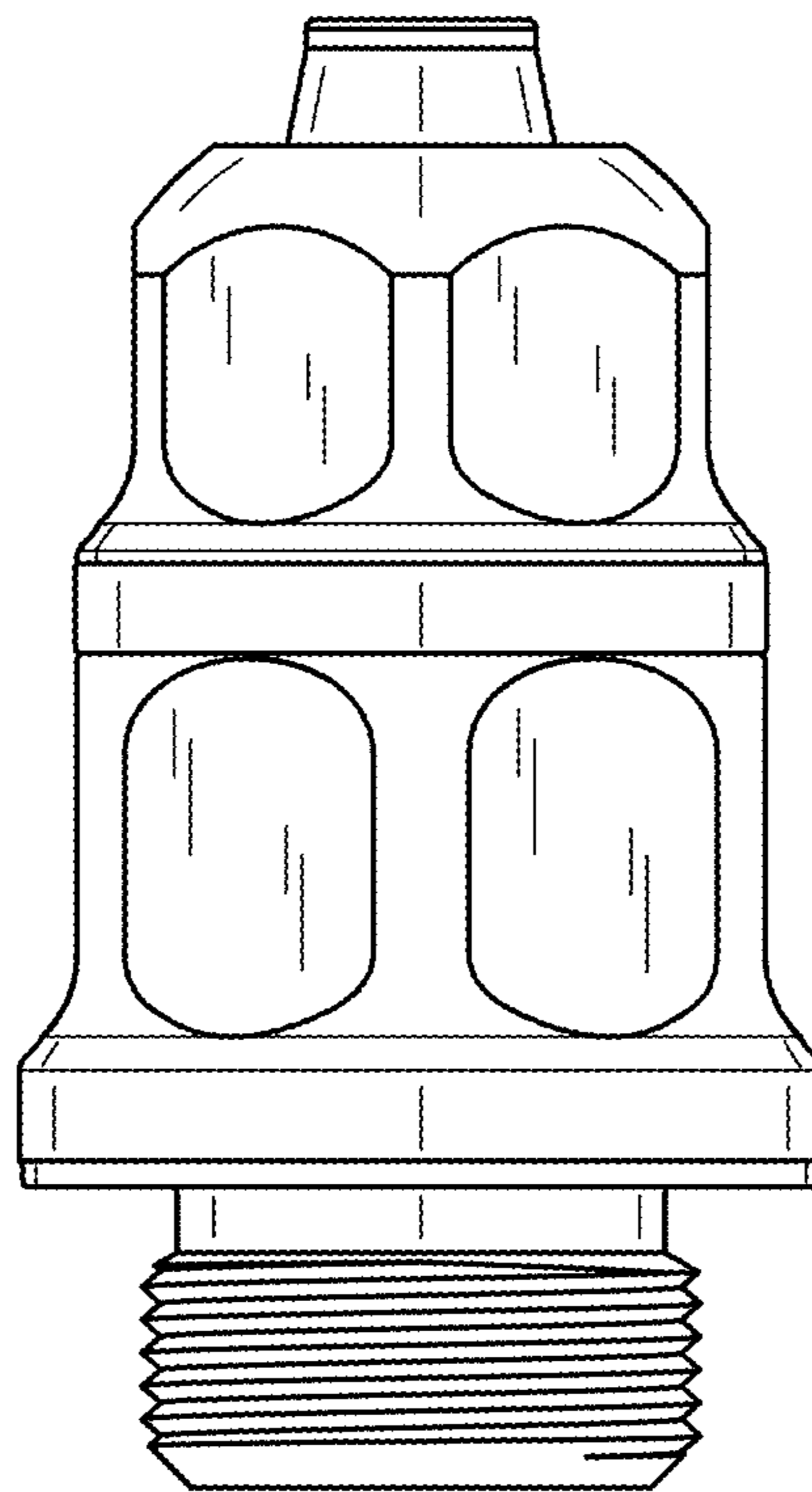


FIG. 9

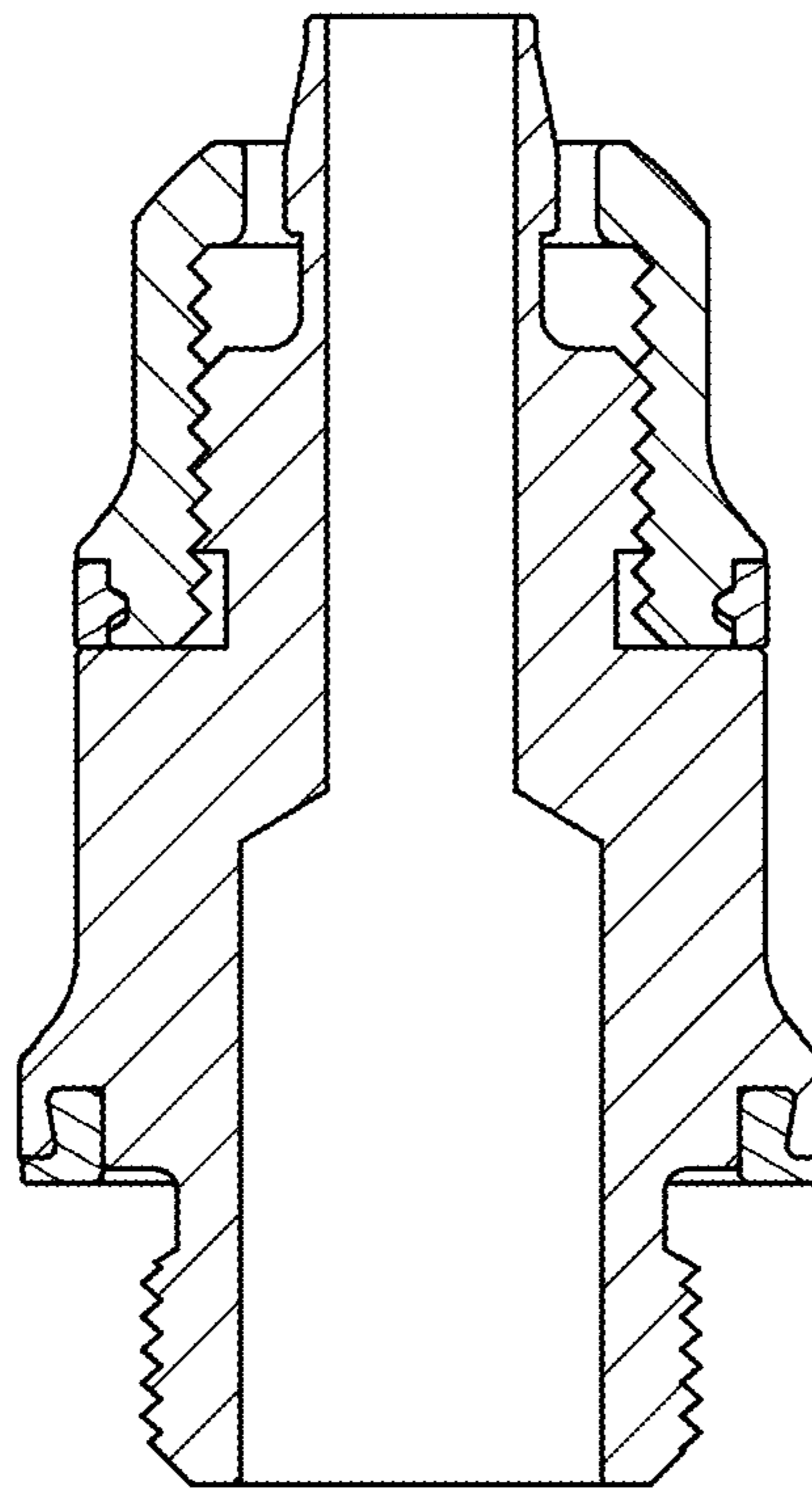


FIG. 10

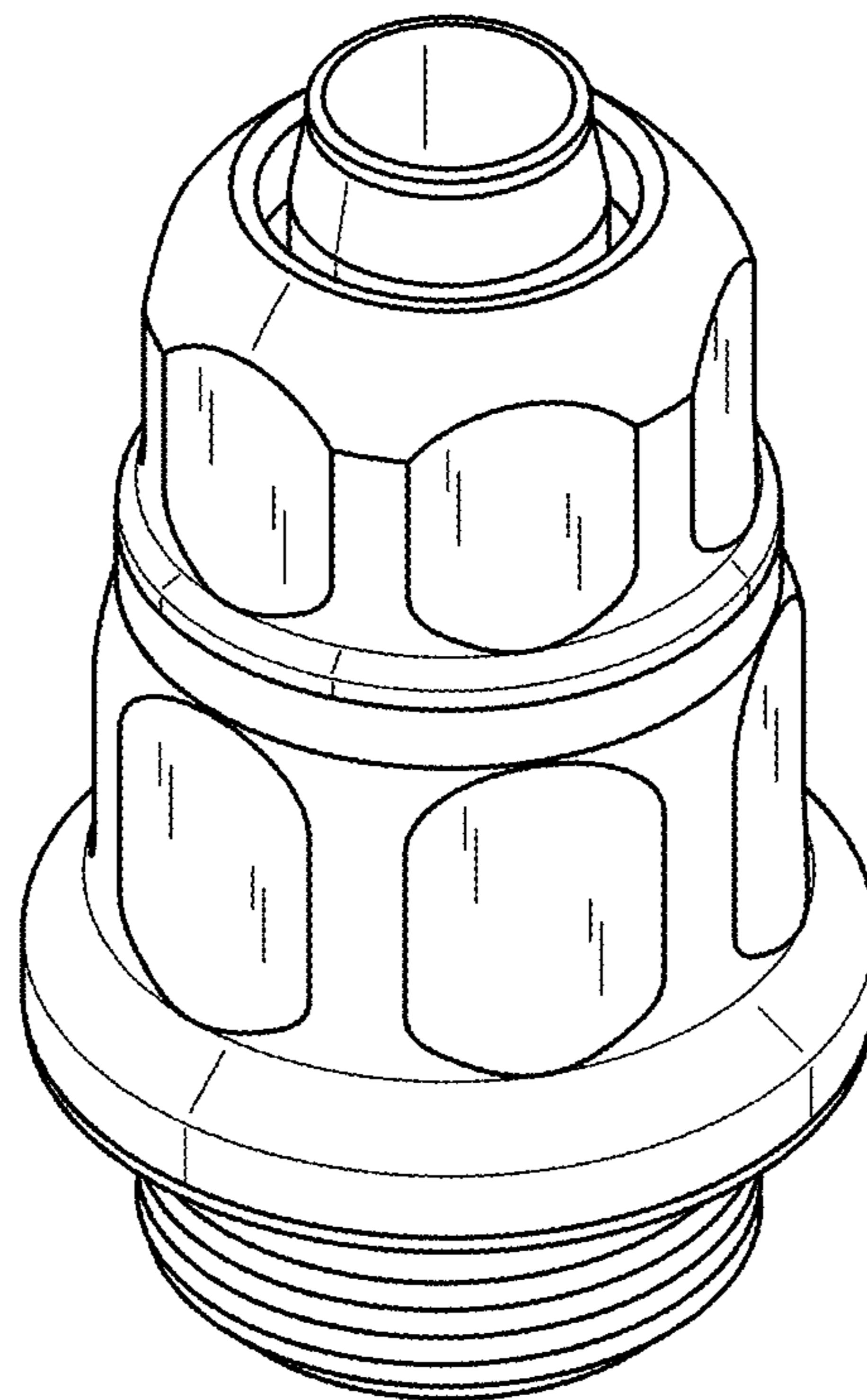


FIG. 11

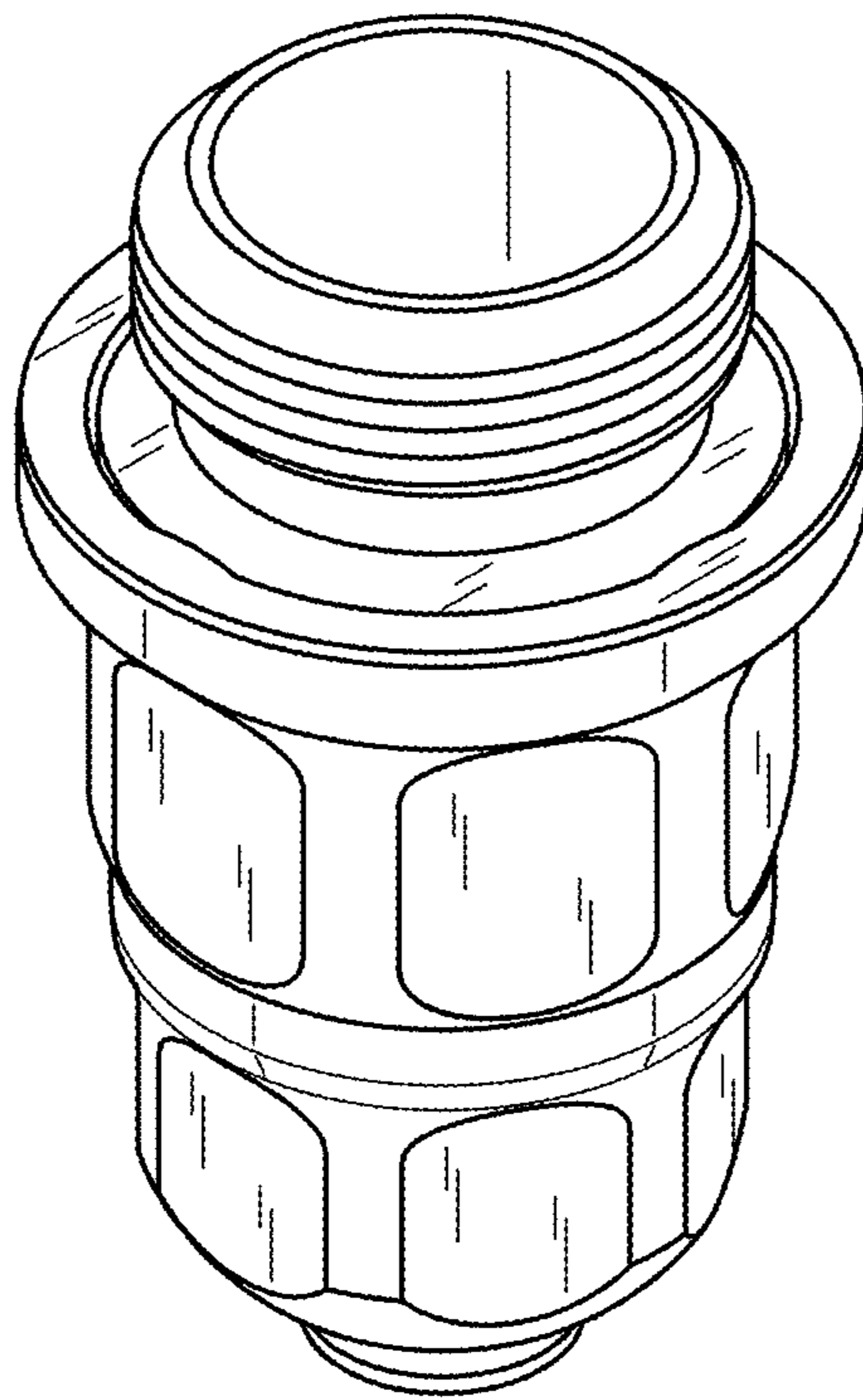


FIG. 12

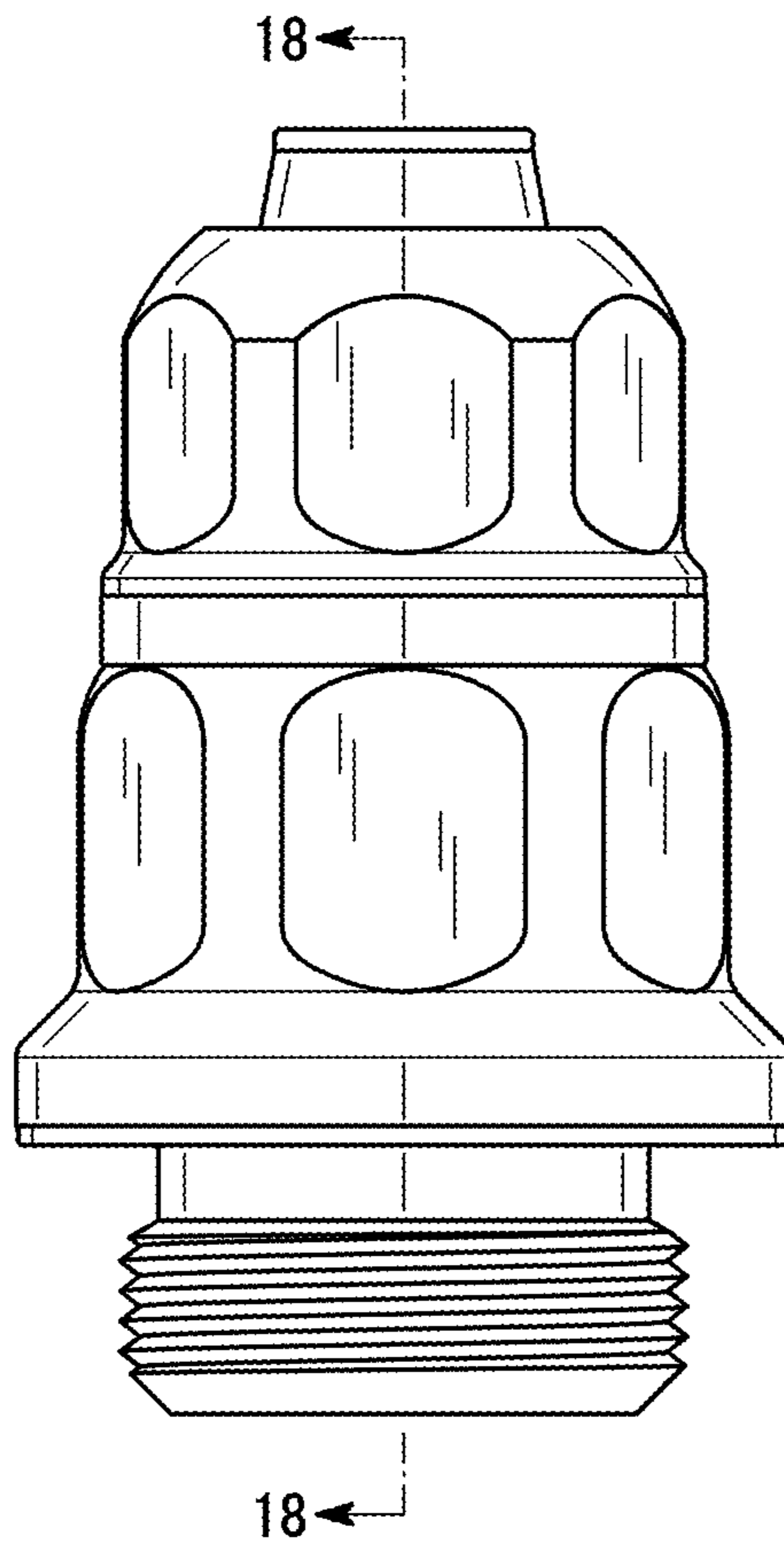


FIG. 13

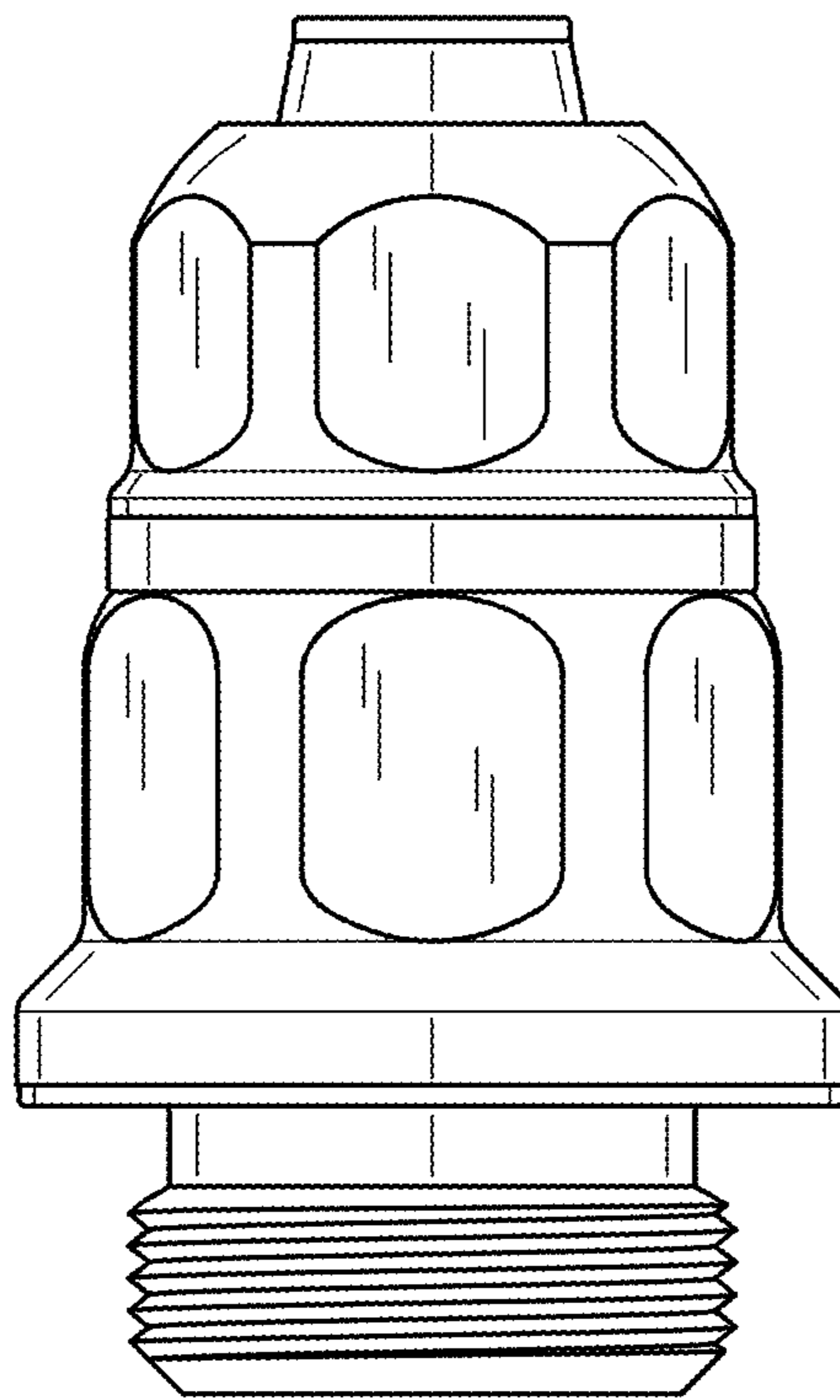


FIG. 14

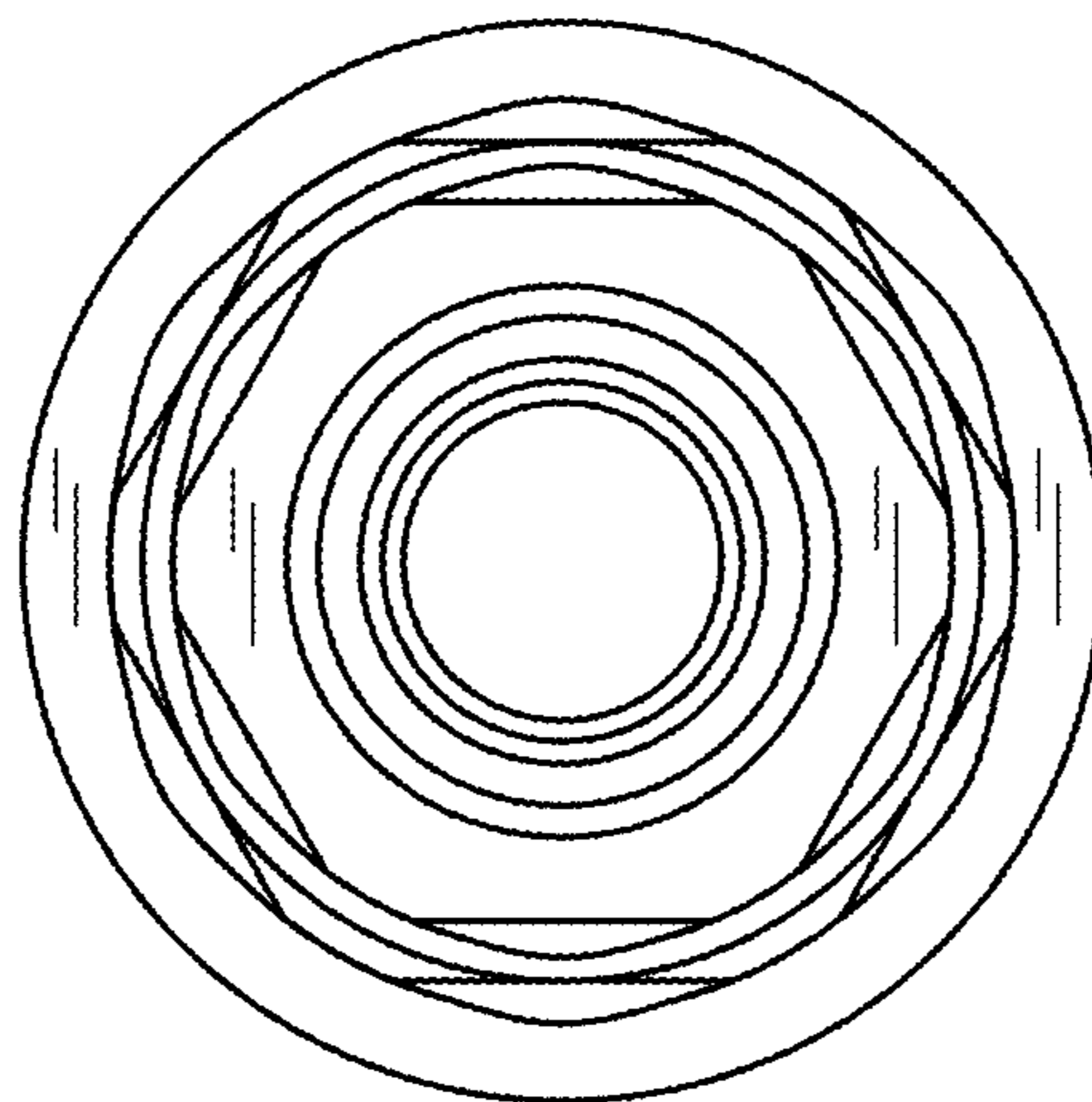


FIG. 15

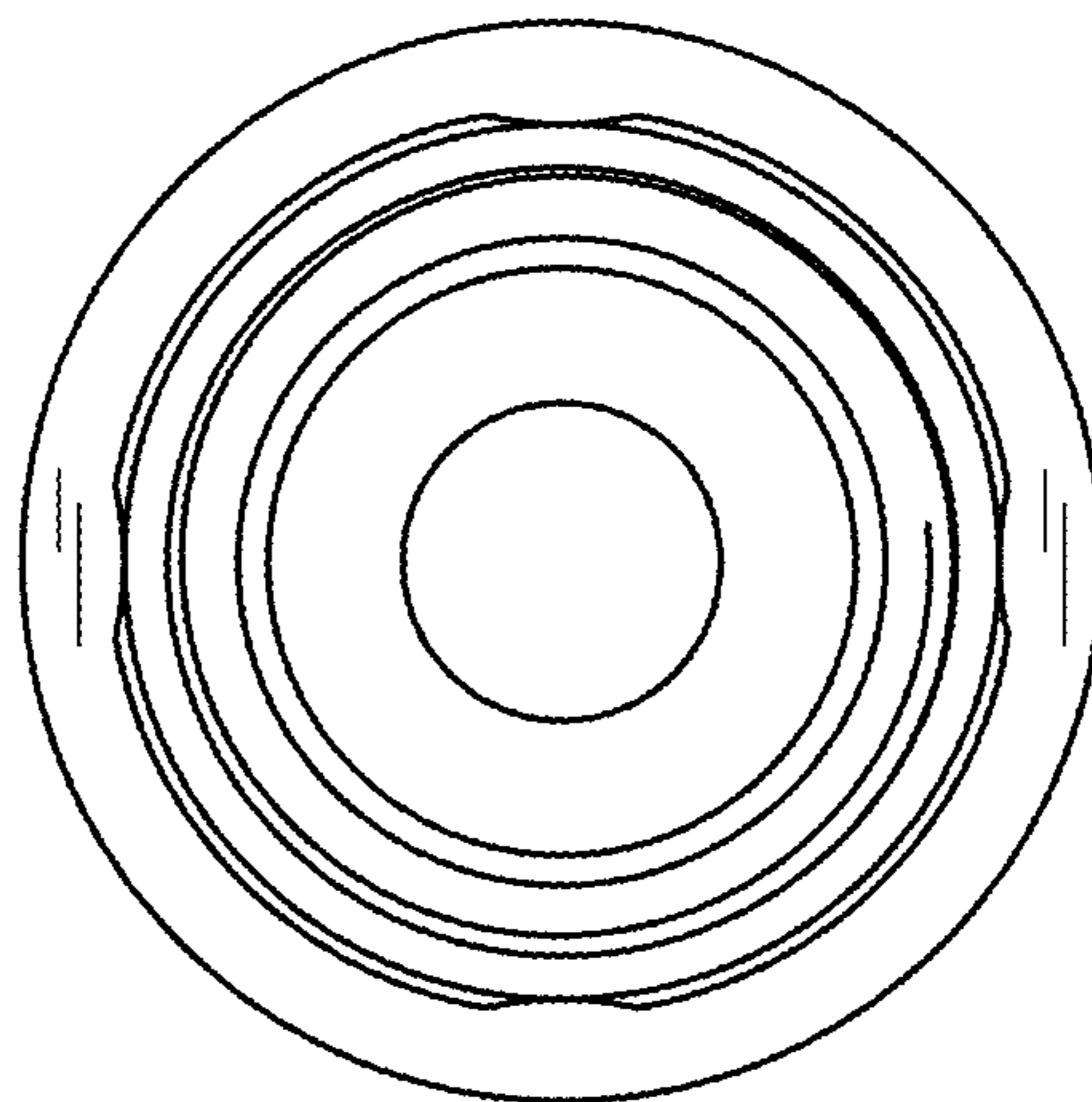


FIG. 16

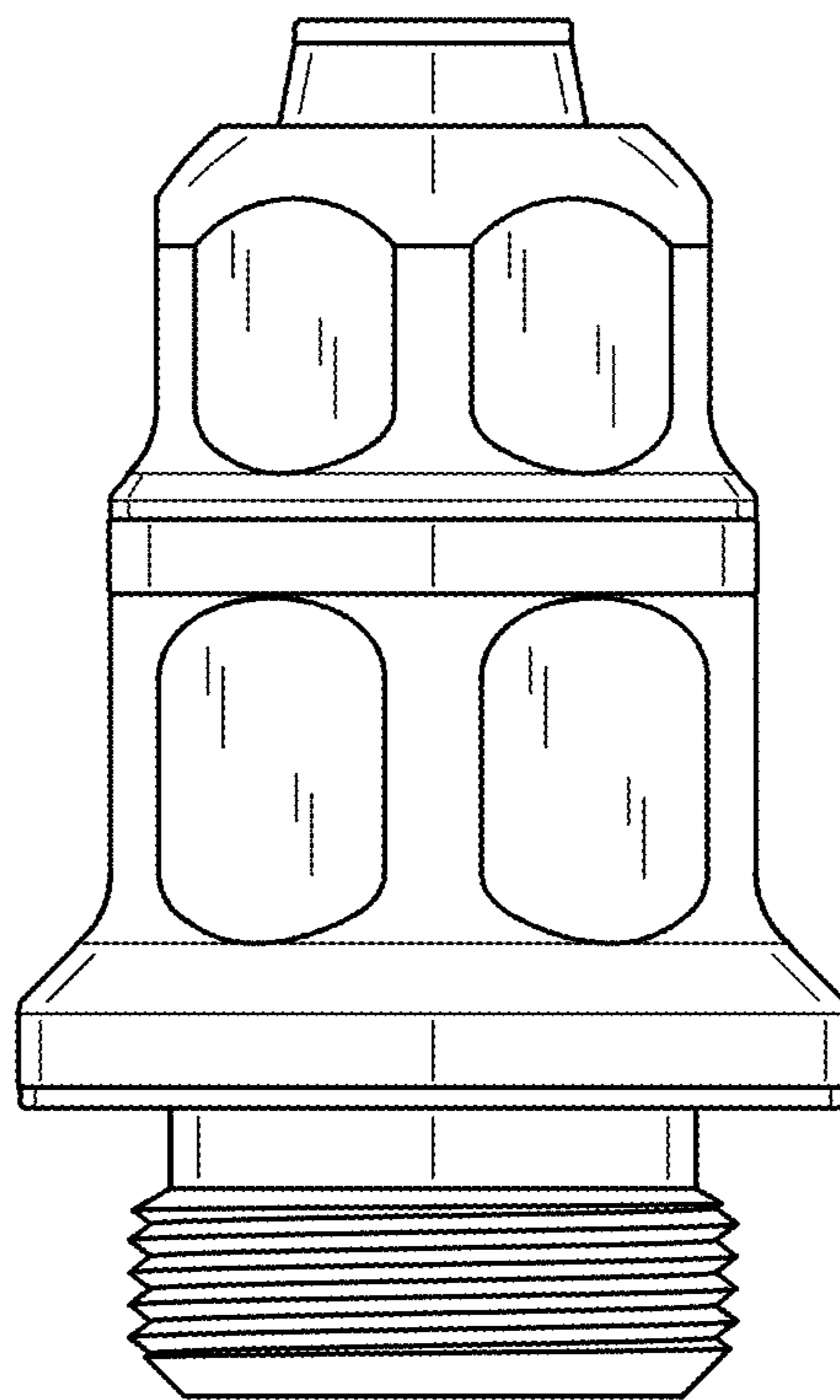


FIG. 17

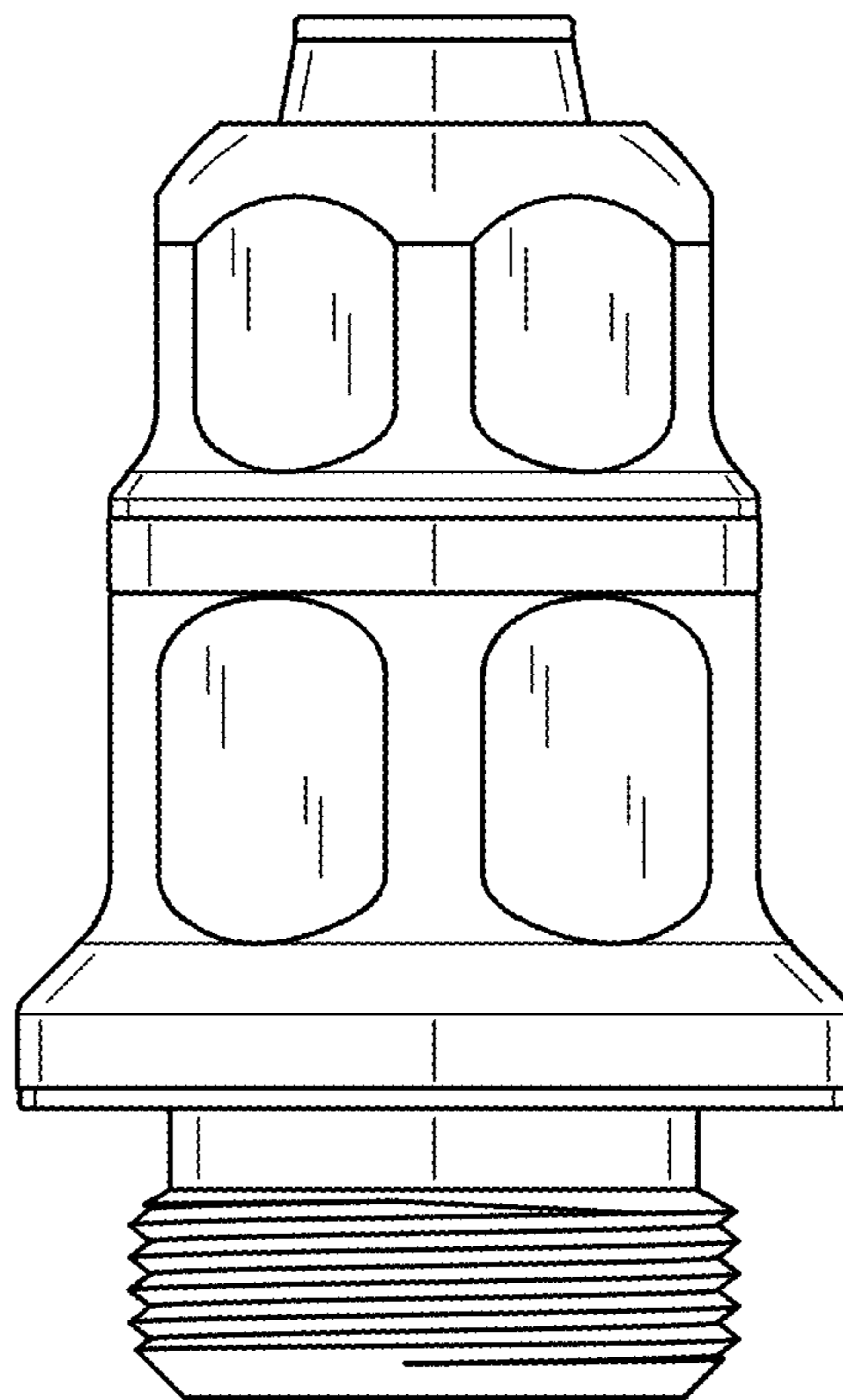


FIG. 18

