



US00D916246S

(12) **United States Design Patent** (10) **Patent No.:** **US D916,246 S**  
**Meyers et al.** (45) **Date of Patent:** **\*\* Apr. 13, 2021**

(54) **FAUCET**  
(71) Applicant: **Kohler Co.**, Kohler, WI (US)  
(72) Inventors: **Jordan Meyers**, Paradise Valley, AZ (US); **Gregory de Swarte**, Sheboygan, WI (US); **Drew Johnson**, Sheboygan, WI (US); **Andrew J. Stokes**, Kohler, WI (US)  
(73) Assignee: **KOHLER CO.**, Kohler, WI (US)  
(\*\*) Term: **15 Years**  
(21) Appl. No.: **29/692,614**  
(22) Filed: **May 28, 2019**

D678,985 S 3/2013 Berger  
D679,367 S \* 4/2013 Kwok ..... D23/255  
8,439,075 B2 \* 5/2013 Lin ..... E03C 1/0404  
137/801  
D687,523 S \* 8/2013 Garland ..... D23/257  
D693,437 S \* 11/2013 Starck ..... D23/238  
D712,519 S \* 9/2014 Lu ..... E03C 1/0404  
D23/255  
D713,016 S 9/2014 Citterio  
D718,427 S \* 11/2014 Fritz ..... D23/257  
D718,837 S 12/2014 Garland  
D754,295 S 4/2016 Lord  
D754,825 S 4/2016 Lord  
D790,667 S \* 6/2017 Schaubach ..... D23/252  
D810,892 S 2/2018 Yoshioka  
D816,806 S 5/2018 Potter  
D816,807 S 5/2018 Ravassa  
D820,415 S 6/2018 McKeone

\* cited by examiner

**Related U.S. Application Data**

(62) Division of application No. 29/644,533, filed on Apr. 18, 2018, now Pat. No. Des. 859,588.  
(51) **LOC (13) Cl.** ..... **23-01**  
(52) **U.S. Cl.**  
USPC ..... **D23/255**; D23/249; D23/238  
(58) **Field of Classification Search**  
USPC ..... D23/238–243, 249–252, 254–255, 257  
CPC ..... Y10T 137/9464  
See application file for complete search history.

*Primary Examiner* — Amy C Wierenga

(74) *Attorney, Agent, or Firm* — Foley & Lardner LLP

(57) **CLAIM**

We claim the ornamental design for a faucet, as shown and described.

**DESCRIPTION**

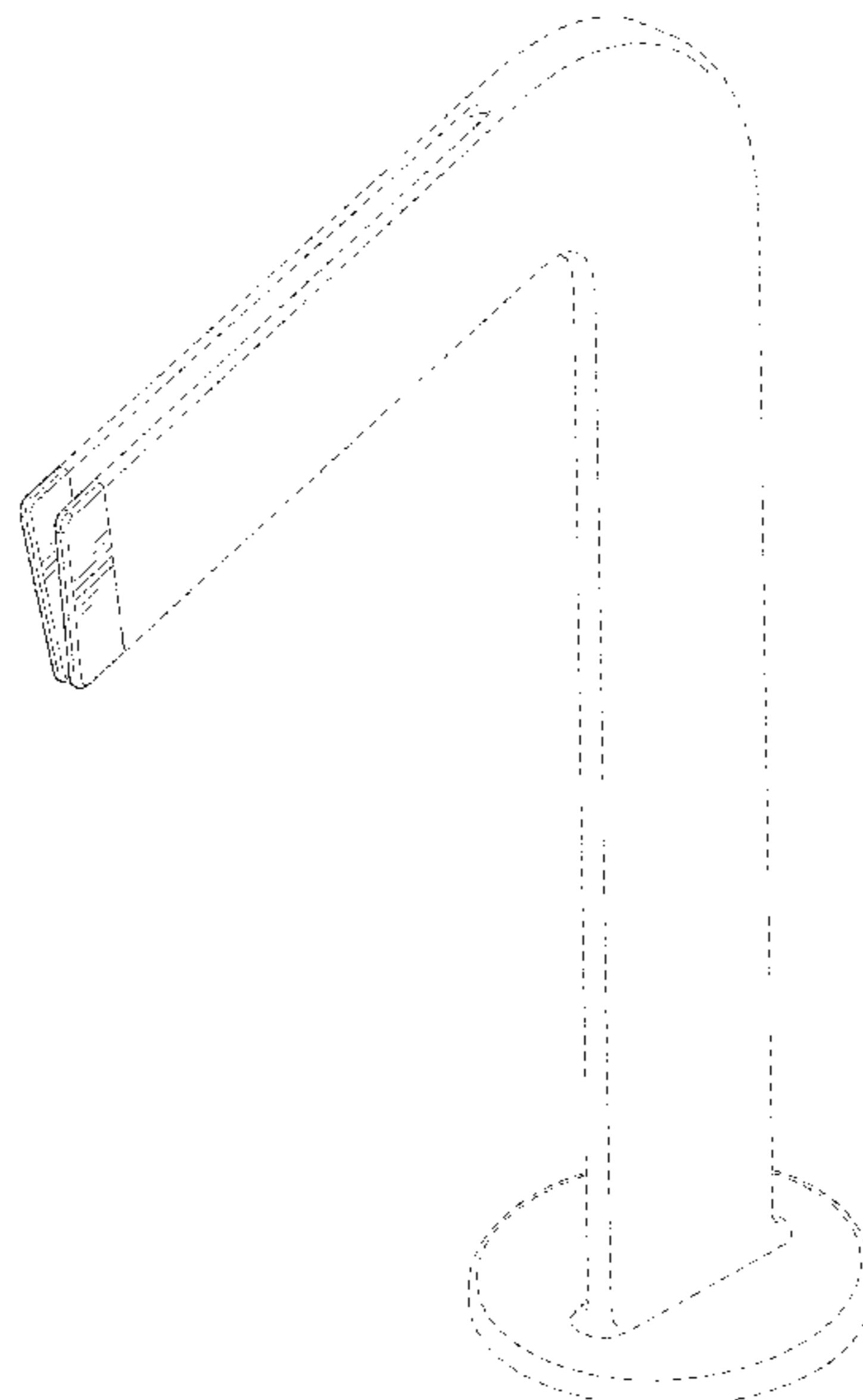
FIG. 1 is a top, front, right perspective view of the claimed design;  
FIG. 2 is a front elevation view thereof;  
FIG. 3 is a rear elevation view thereof;  
FIG. 4 is a right side elevation view thereof;  
FIG. 5 is a left side elevation view thereof;  
FIG. 6 is a top plan view thereof; and,  
FIG. 7 is a bottom plan view thereof.  
The evenly dashed broken lines illustrate portions of the faucet that form no part of the claim. The dash-dot-dash broken lines define the bounds of the claim and form no part thereof.

(56) **References Cited**

**U.S. PATENT DOCUMENTS**

D349,756 S 8/1994 Altman  
D391,350 S \* 2/1998 Gottwald ..... D23/249  
D444,859 S \* 7/2001 Slothower ..... D23/255  
D444,860 S \* 7/2001 Slothower ..... D23/255  
D533,630 S \* 12/2006 Zetsche ..... D23/238  
D536,070 S \* 1/2007 Gilbert ..... D23/238  
D613,375 S 4/2010 Hanna  
D636,066 S 4/2011 Schoenherr  
D646,758 S 10/2011 Gessi  
D673,651 S \* 1/2013 Uhl ..... D23/238

**1 Claim, 5 Drawing Sheets**



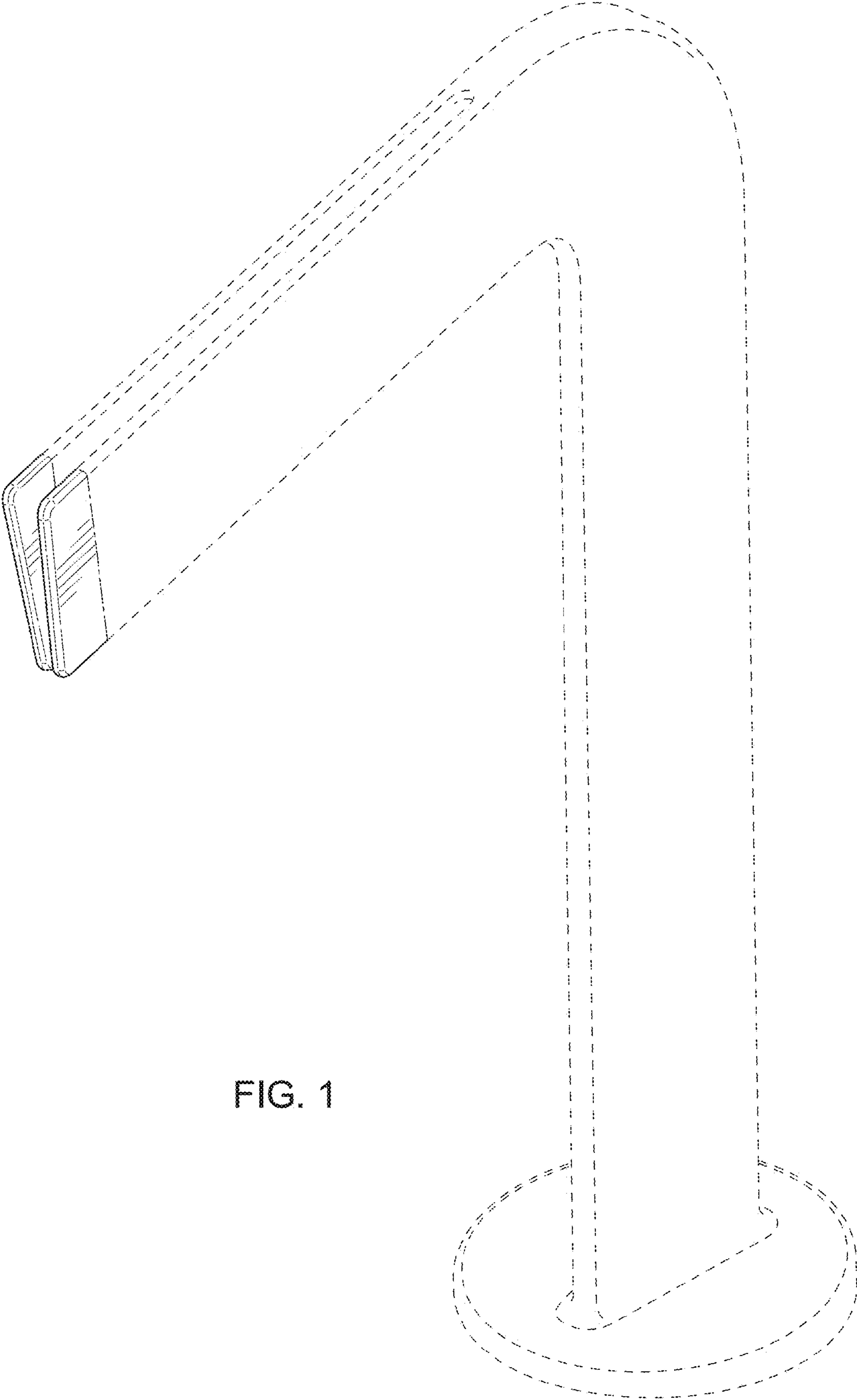


FIG. 1

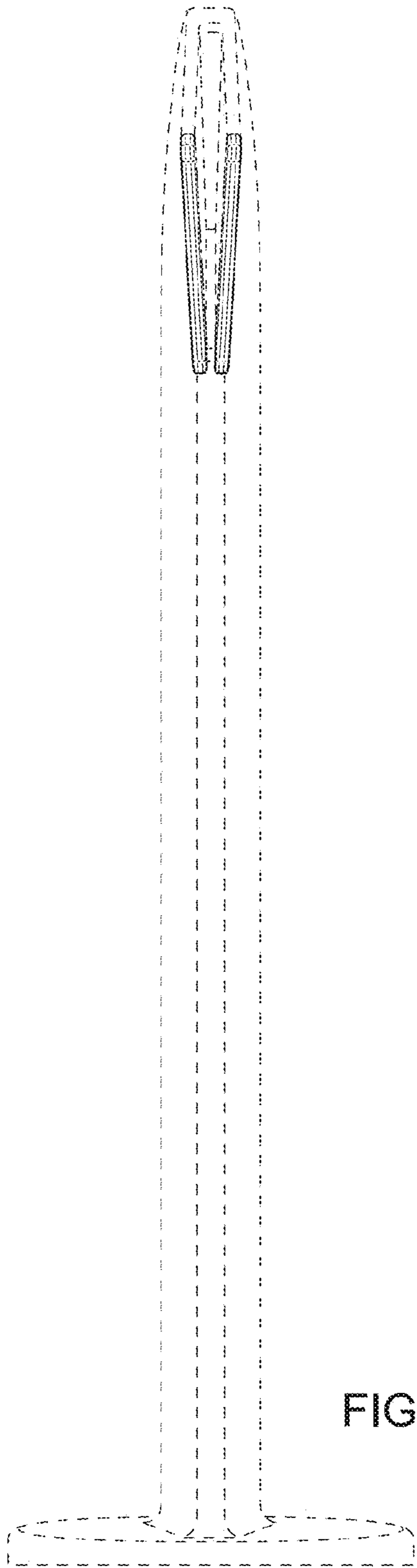


FIG. 2

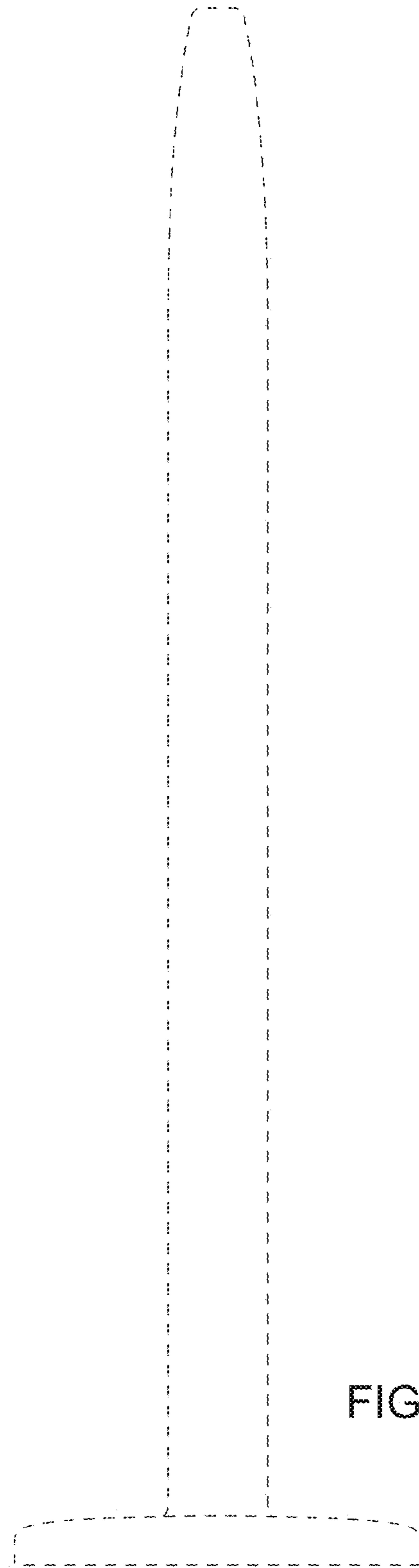


FIG. 3

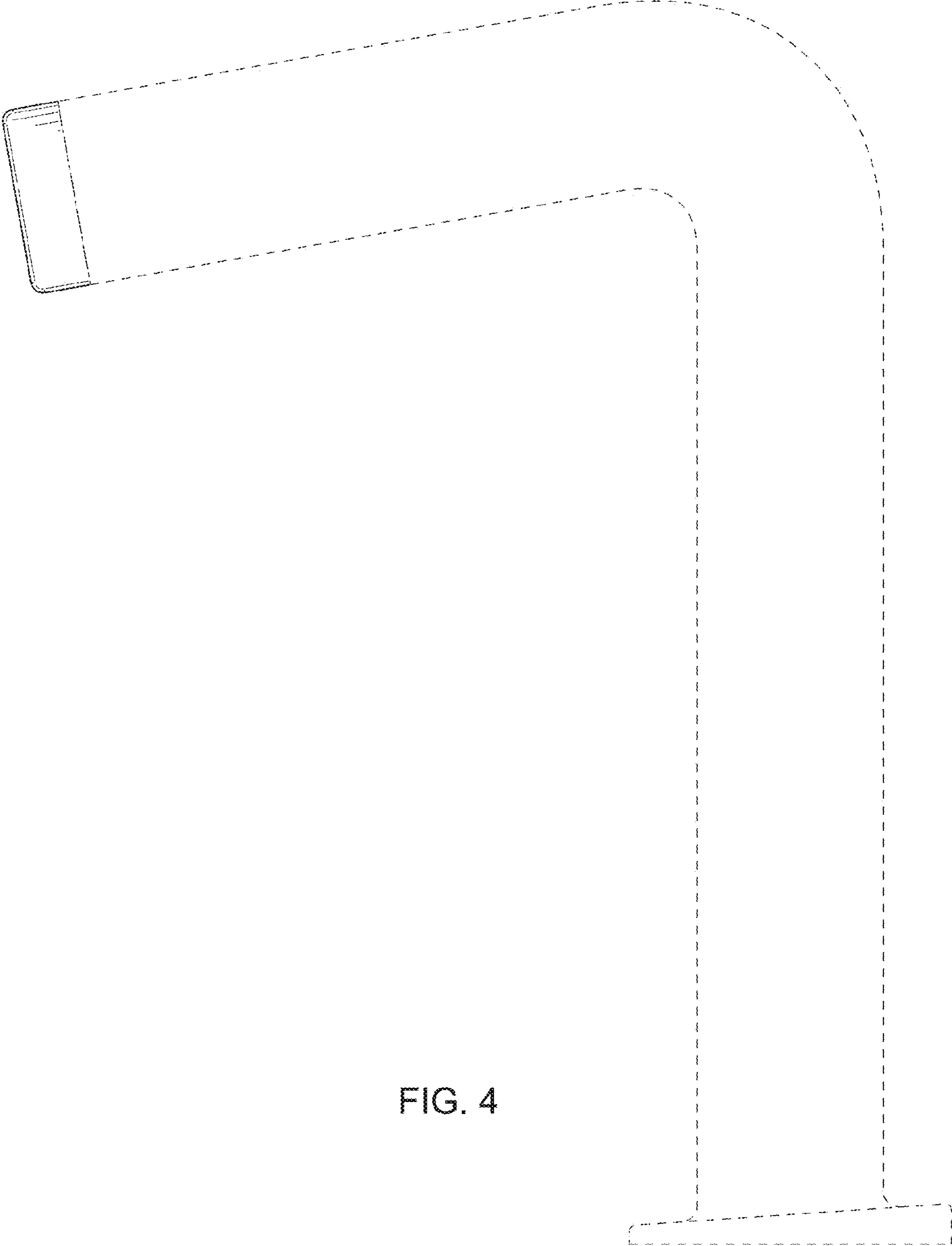


FIG. 4

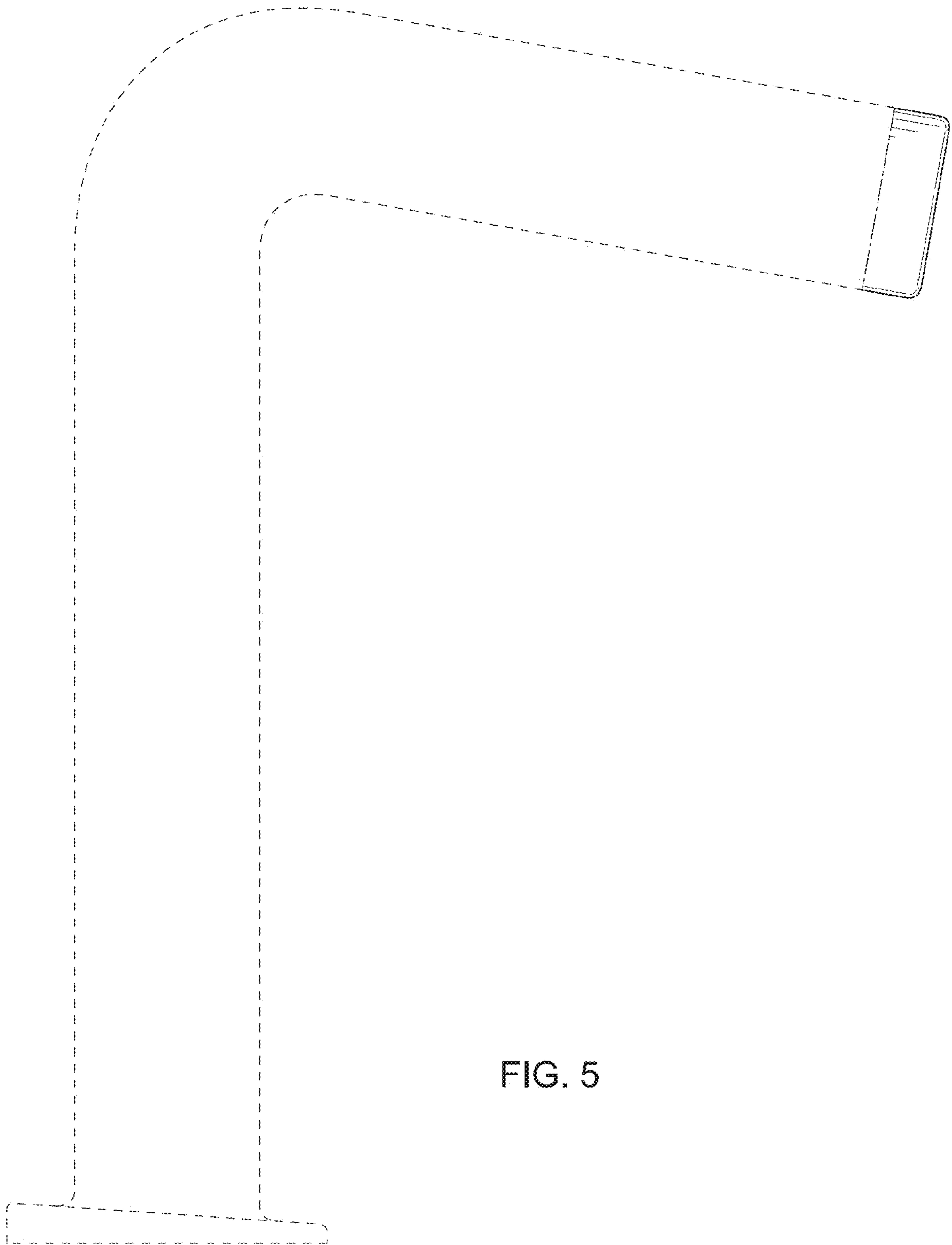


FIG. 5

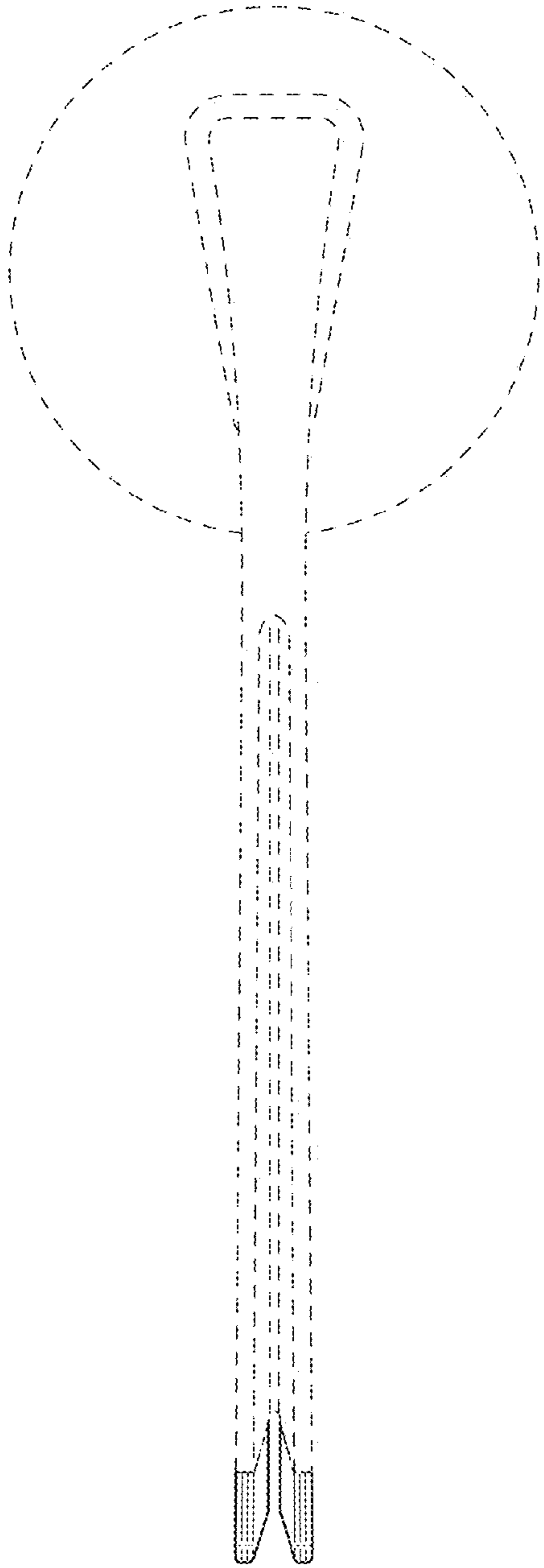


FIG. 6

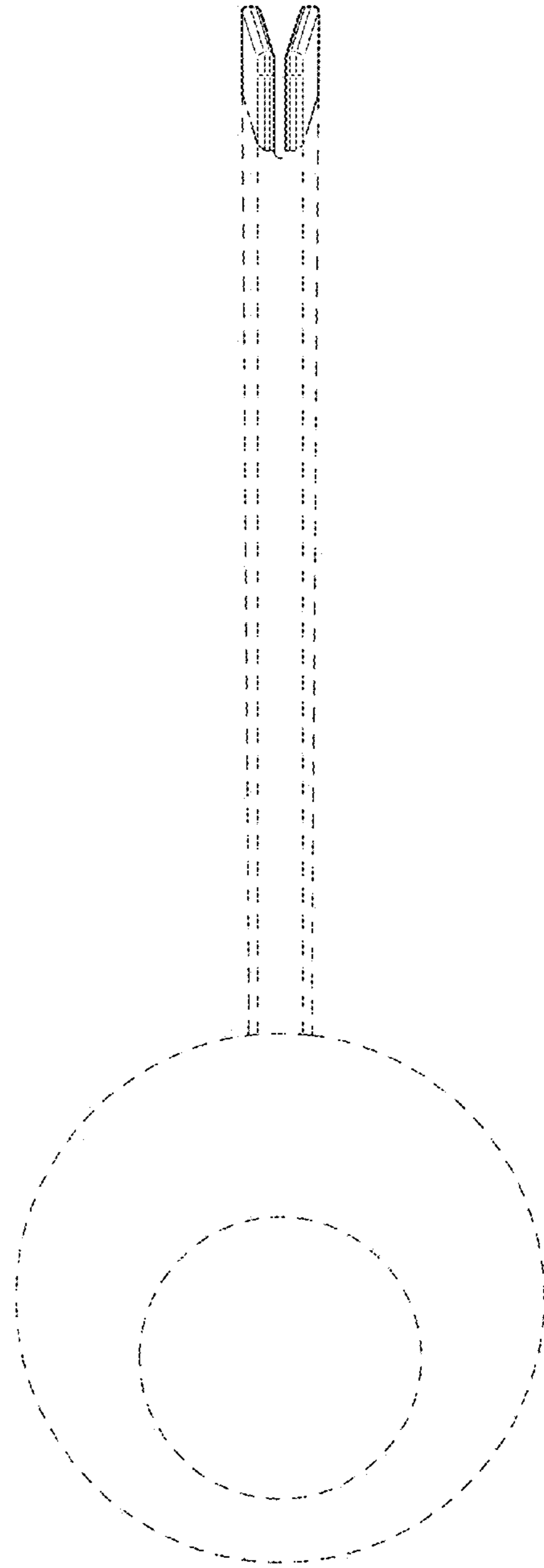


FIG. 7