



US00D916243S

(12) **United States Design Patent**
Garland

(10) **Patent No.:** **US D916,243 S**

(45) **Date of Patent:** **** Apr. 13, 2021**

(54) **FAUCET HANDLE**

(71) Applicant: **DELTA FAUCET COMPANY,**
Indianapolis, IN (US)

(72) Inventor: **Celine Kwok Garland,** Zionsville, IN
(US)

(73) Assignee: **DELTA FAUCET COMPANY,**
Indianapolis, IN (US)

(**) Term: **15 Years**

(21) Appl. No.: **29/680,261**

(22) Filed: **Feb. 14, 2019**

(51) **LOC (13) Cl.** **23-01**

(52) **U.S. Cl.**
USPC **D23/252**

(58) **Field of Classification Search**
USPC D23/250–254, 238–243; D8/307–308
See application file for complete search history.

(56) **References Cited**

U.S. PATENT DOCUMENTS

D538,894 S * 3/2007 Hoernig D23/241
D548,563 S * 8/2007 Hoernig D8/308

D602,570 S * 10/2009 Lammel D23/242
D617,879 S * 6/2010 Lammel D23/254
D692,104 S * 10/2013 Gessi D23/238
D837,945 S * 1/2019 Soulier D23/252
D857,854 S * 8/2019 Garland D23/252
D862,655 S * 10/2019 Garland D23/242

* cited by examiner

Primary Examiner — Robert A Delehanty

(74) *Attorney, Agent, or Firm* — Nirav D. Parikh; Edgar
A. Zarins

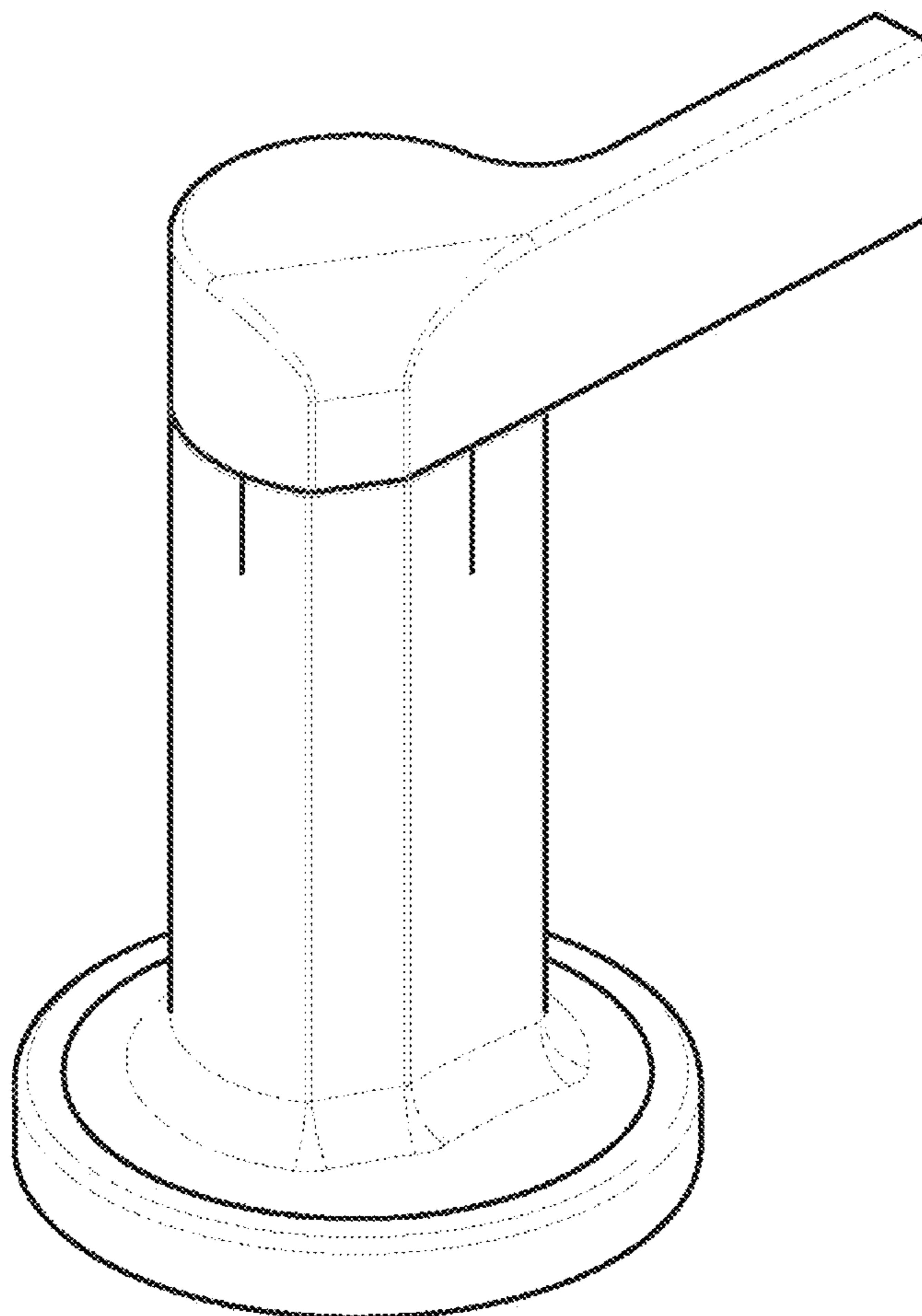
(57) **CLAIM**

The ornamental design for a faucet handle, as shown and
described.

DESCRIPTION

FIG. 1 is a first perspective view of a faucet handle showing
my new design;
FIG. 2 is a second perspective view thereof;
FIG. 3 is a first side view thereof;
FIG. 4 is a first end view thereof;
FIG. 5 is a second side view thereof;
FIG. 6 is a second end view thereof;
FIG. 7 is a top plan view thereof; and,
FIG. 8 is a bottom view thereof.

1 Claim, 4 Drawing Sheets



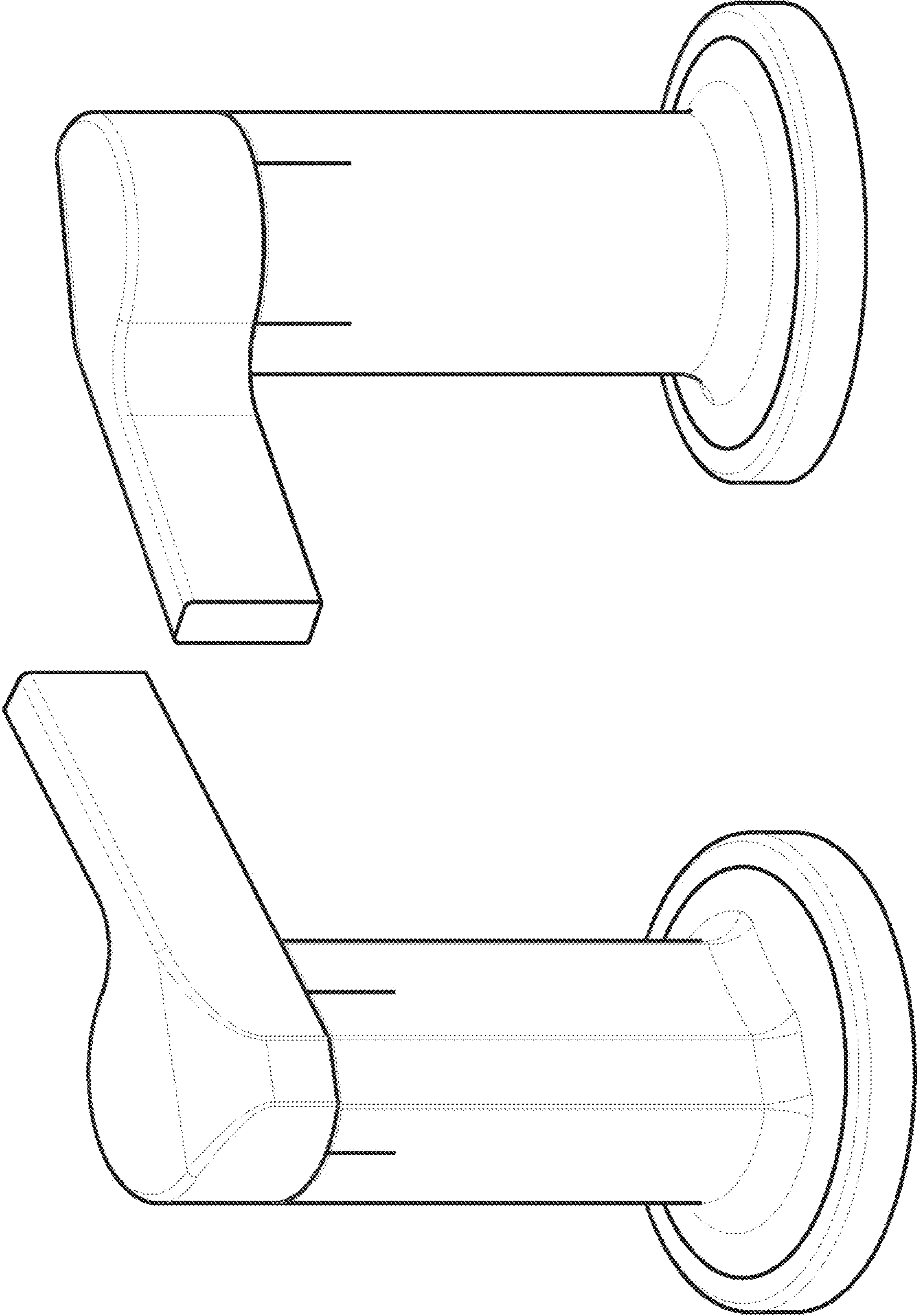


FIG - 2

FIG - 1

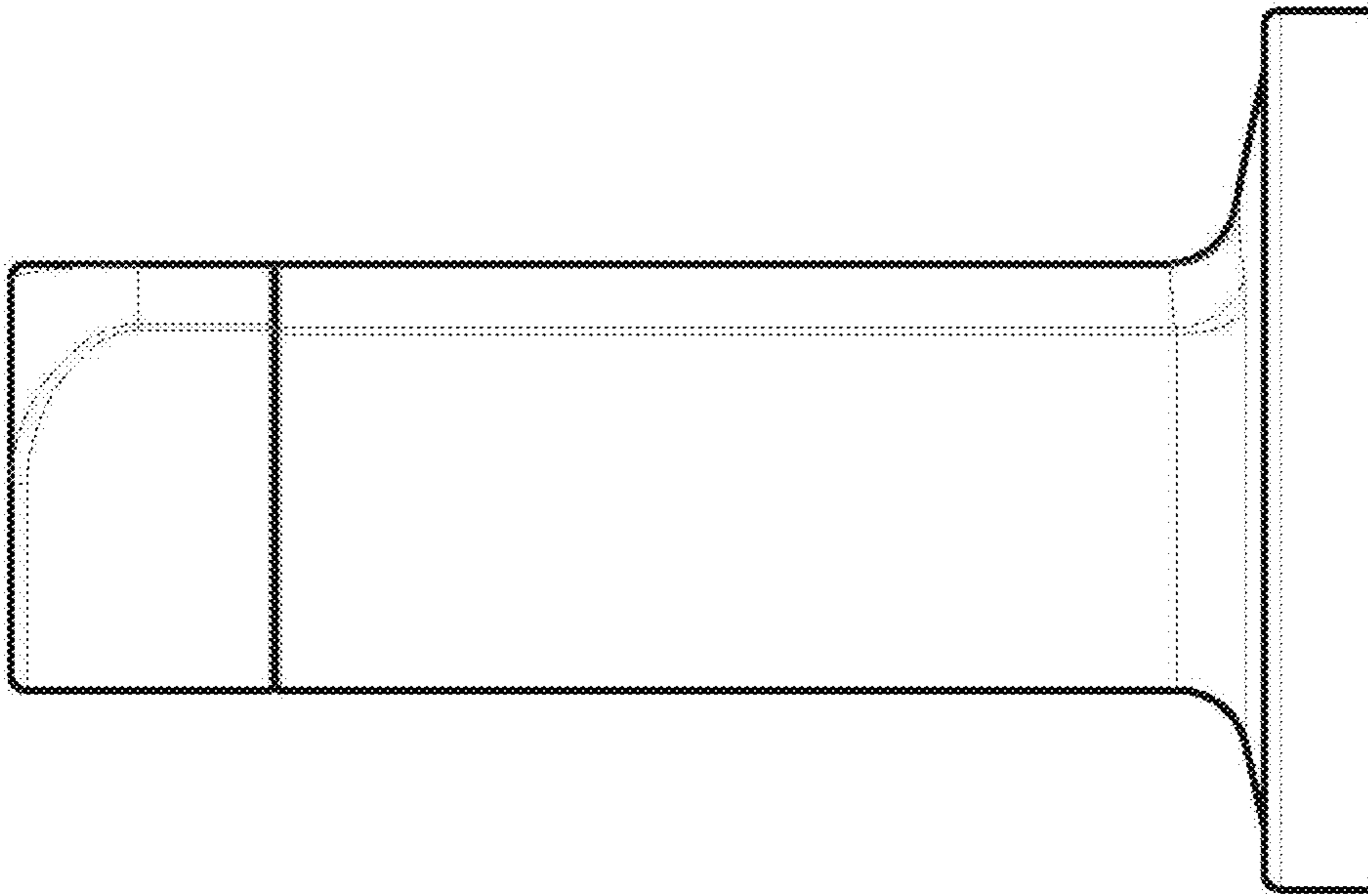


FIG - 4

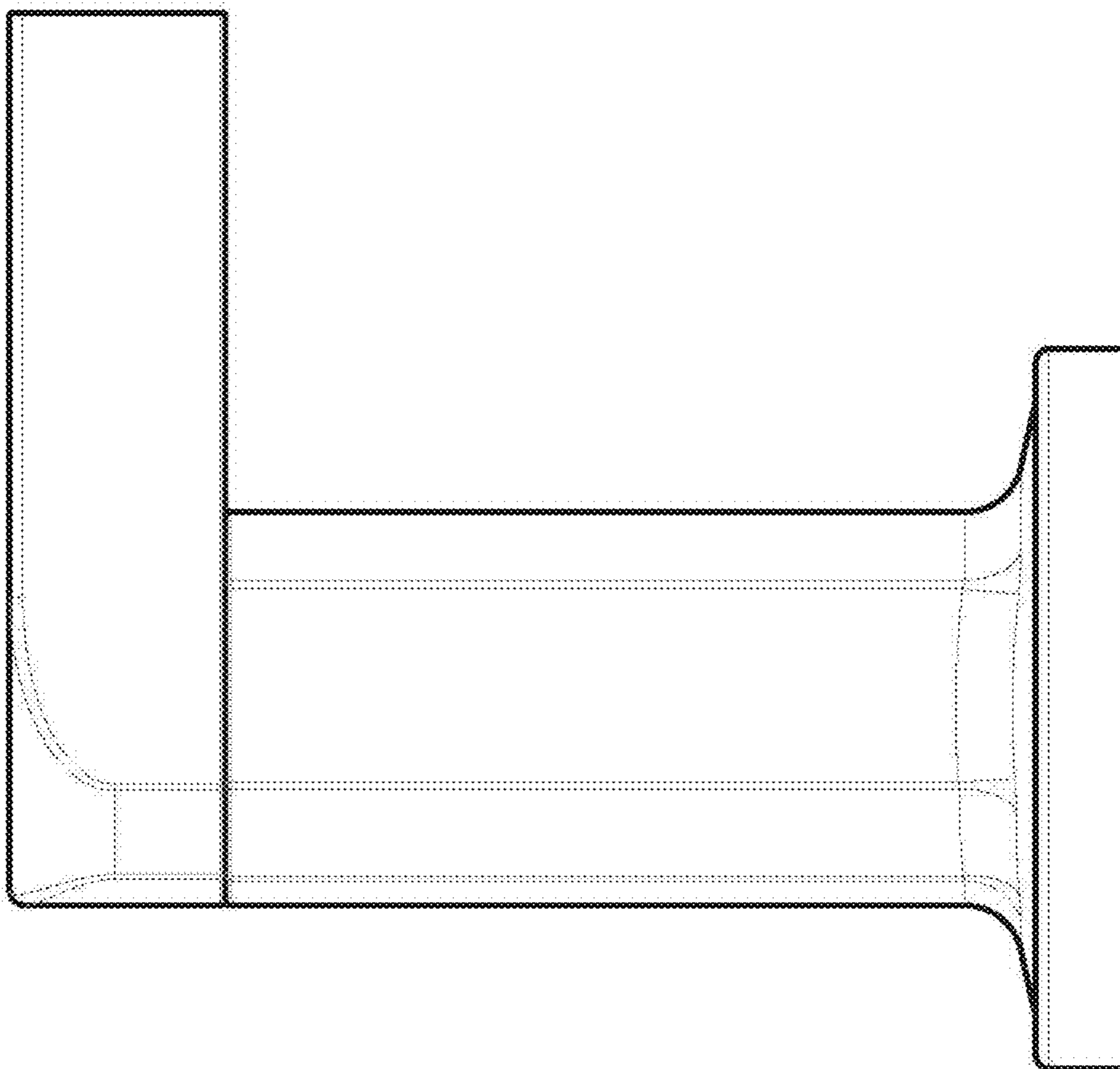


FIG - 3

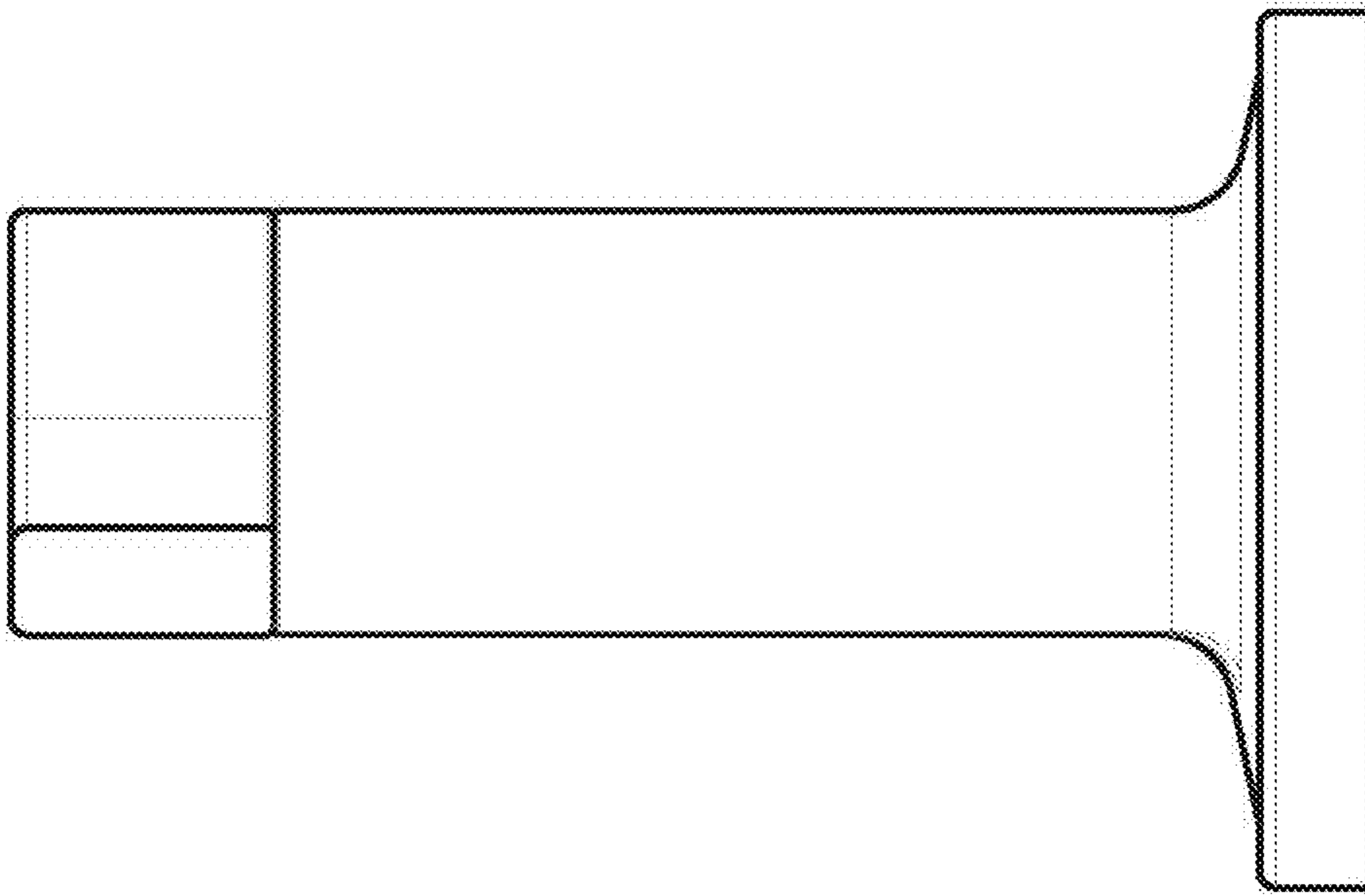


FIG - 6

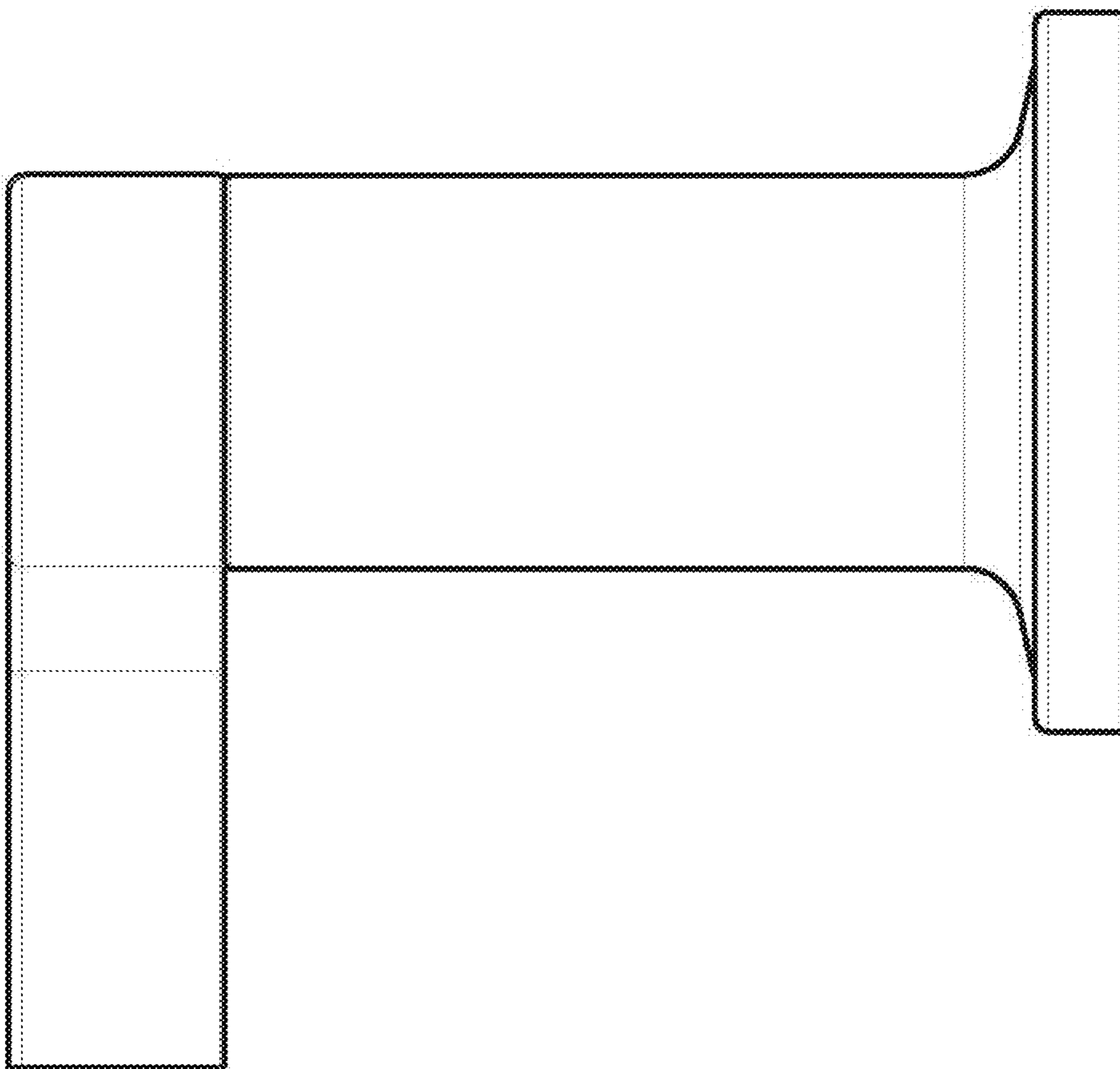


FIG - 5

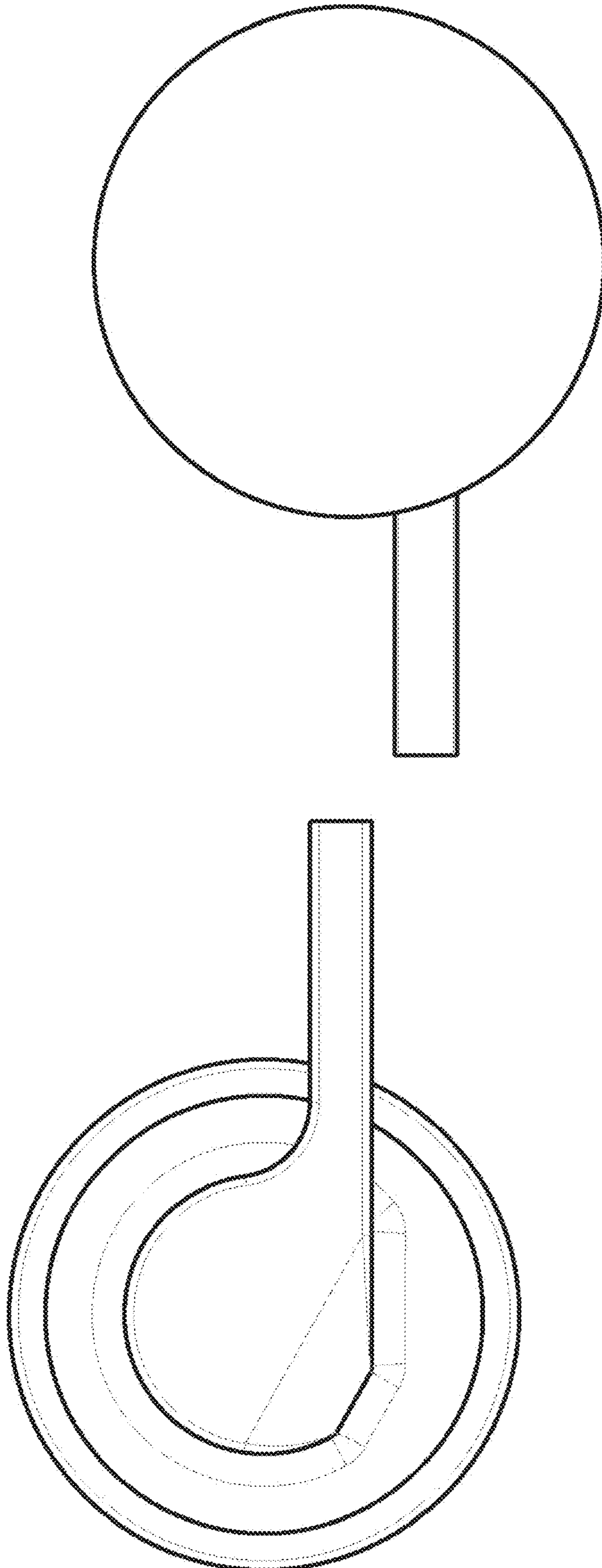


FIG - 8

FIG - 7