



US00D916242S

(12) **United States Design Patent** (10) **Patent No.:** **US D916,242 S**
Xie (45) **Date of Patent:** **** Apr. 13, 2021**

(54) **FAUCET**

(71) Applicant: **Xiangqi Xie**, Fujian (CN)

(72) Inventor: **Xiangqi Xie**, Fujian (CN)

(**) Term: **15 Years**

(21) Appl. No.: **29/749,329**

(22) Filed: **Sep. 4, 2020**

(30) **Foreign Application Priority Data**

Jun. 28, 2020 (CN) 202030336308.X

(51) **LOC (13) Cl.** **23-01**

(52) **U.S. Cl.**
USPC **D23/238**

(58) **Field of Classification Search**

USPC D23/238-241, 250, 252, 254-255, 257,
D23/226; D8/307-308

CPC Y10T 137/9464; Y10T 137/6014; Y10T
137/6017

See application file for complete search history.

(56) **References Cited**

U.S. PATENT DOCUMENTS

D684,668 S * 6/2013 Yu D23/242
D773,615 S * 12/2016 Potter D23/242
D891,585 S 7/2020 Spangler
D896,349 S * 9/2020 Kuang D23/242
D905,825 S * 12/2020 Potter D23/242

OTHER PUBLICATIONS

Delta Tolva: <https://www.google.com/shopping/product/8186031519960436060?q=1406+Waterfall+Centerset+Bathroom+F>

aucet+with+Drain+Assembly&rlz=1C1GCEB_enUS799US826&biw=952&bih=982&prds=eto:15976012874935263880_0&sa=X&ved=0ahUKEwj1uMvr8vPuAhXAEVkJFHQIQDvMQ8gllowooAA (Year: 2018).*

* cited by examiner

Primary Examiner — Robert A Delehanty

(74) *Attorney, Agent, or Firm* — ZANIP

(57) **CLAIM**

The ornamental design for a faucet, as shown and described.

DESCRIPTION

FIG. 1 is a front and top perspective view of a faucet, showing my new design;
FIG. 2 is a rear and bottom perspective view thereof;
FIG. 3 is a front elevational view thereof;
FIG. 4 is a rear elevational view thereof;
FIG. 5 is a left side elevational view thereof;
FIG. 6 is a right side elevational view thereof;
FIG. 7 is a top plan view thereof;
FIG. 8 is a bottom plan view thereof; and,
FIG. 9 is an enlarged view of a portion labeled, 'FIG. 9' in FIG. 1.

The dashed broken lines shown in the drawings depict environmental structure that form no part of the claimed design. The dash dot dash lines in FIGS. 1 and 9 are for the purpose of depicting the cut line of the enlarged view and form no part of the claim.

1 Claim, 9 Drawing Sheets

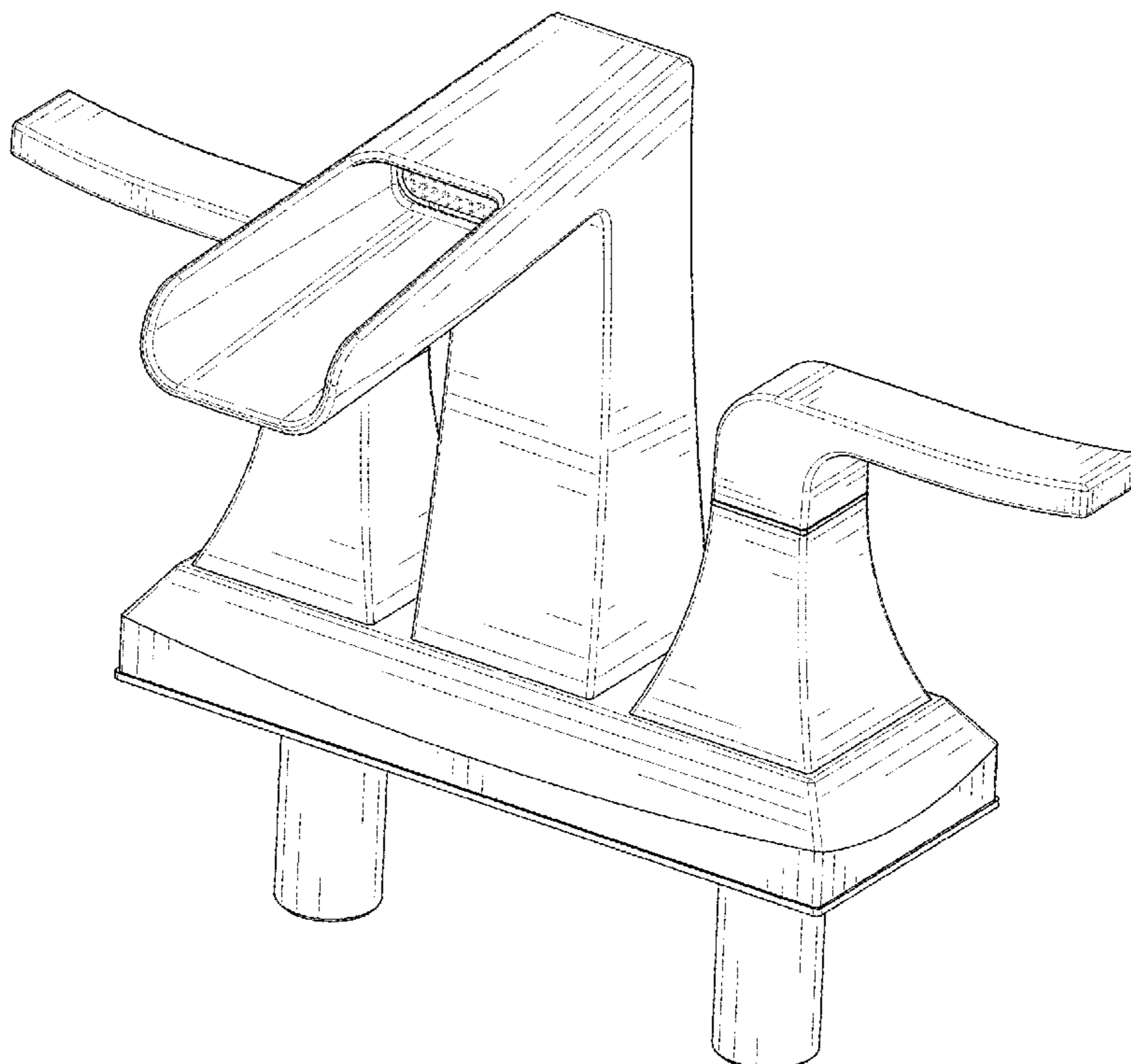


FIG. 9

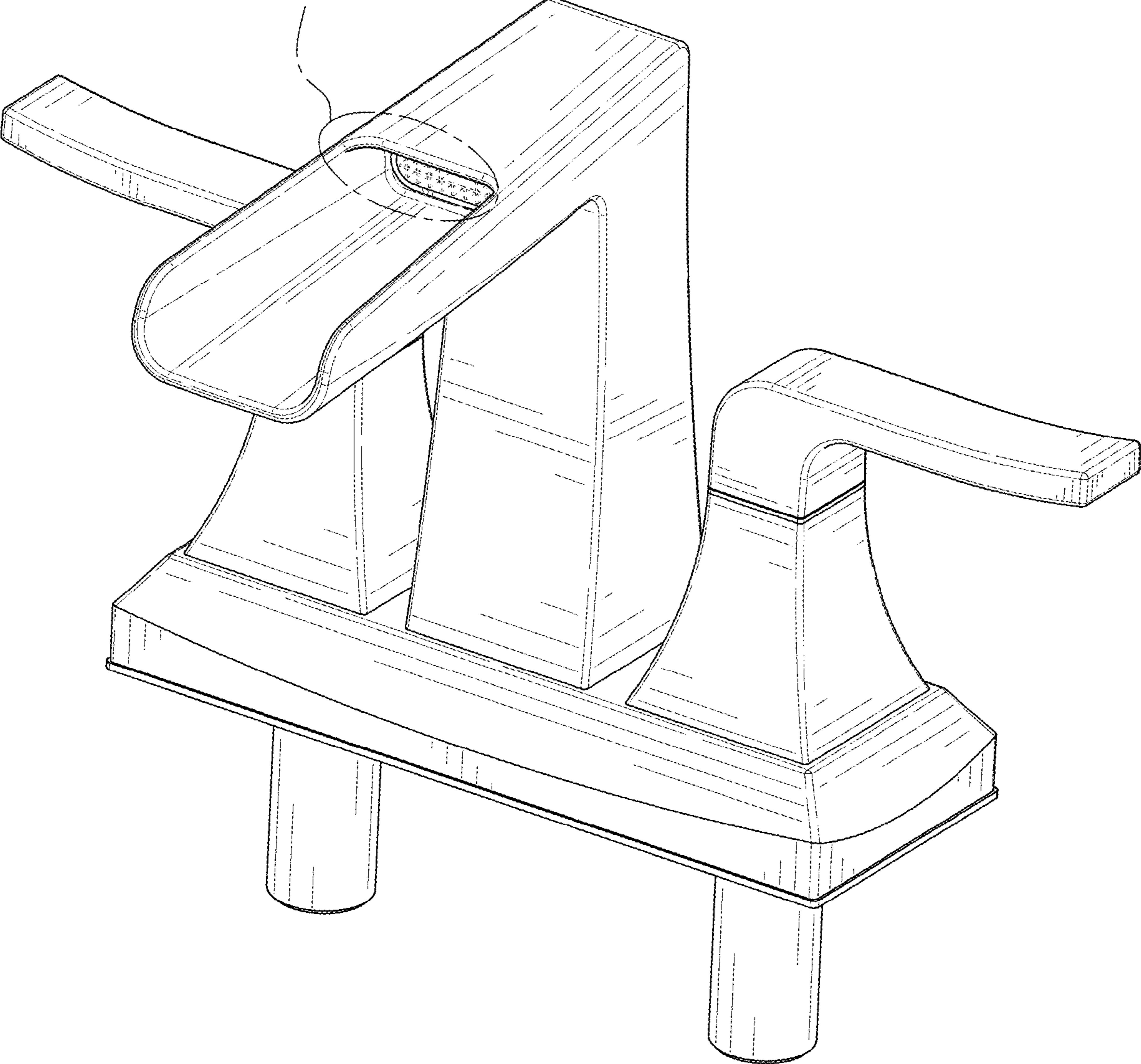


FIG. 1

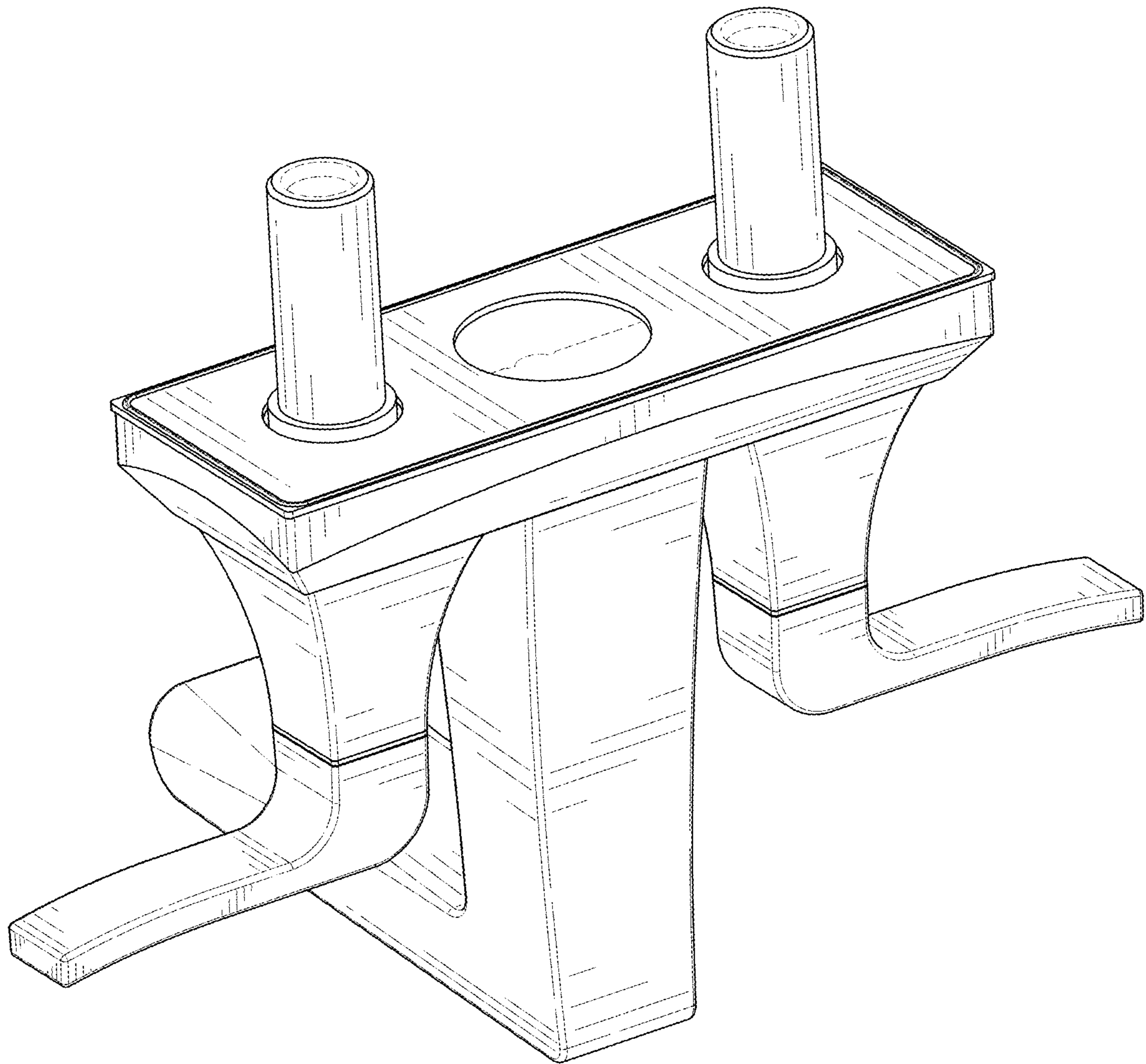


FIG. 2

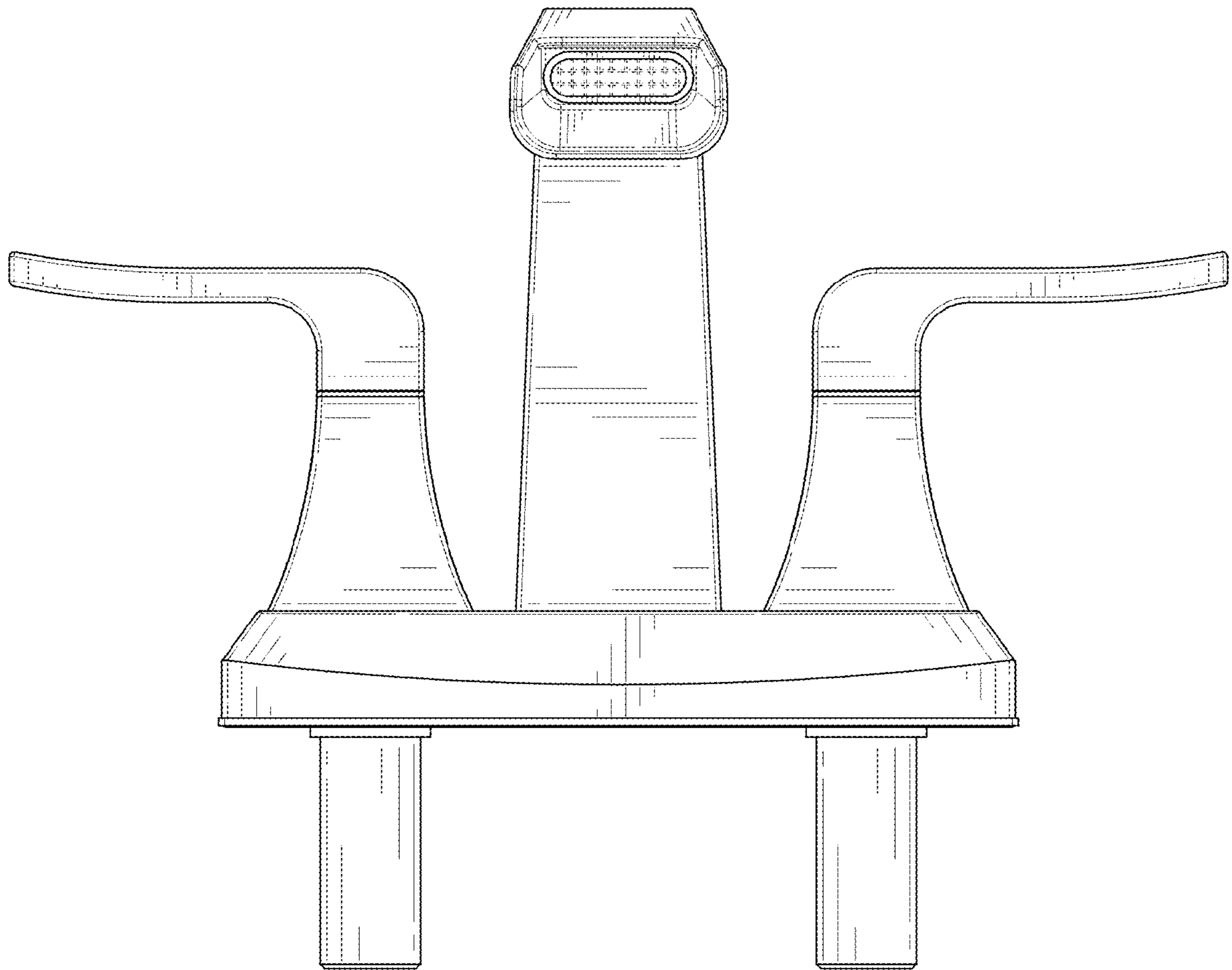


FIG. 3

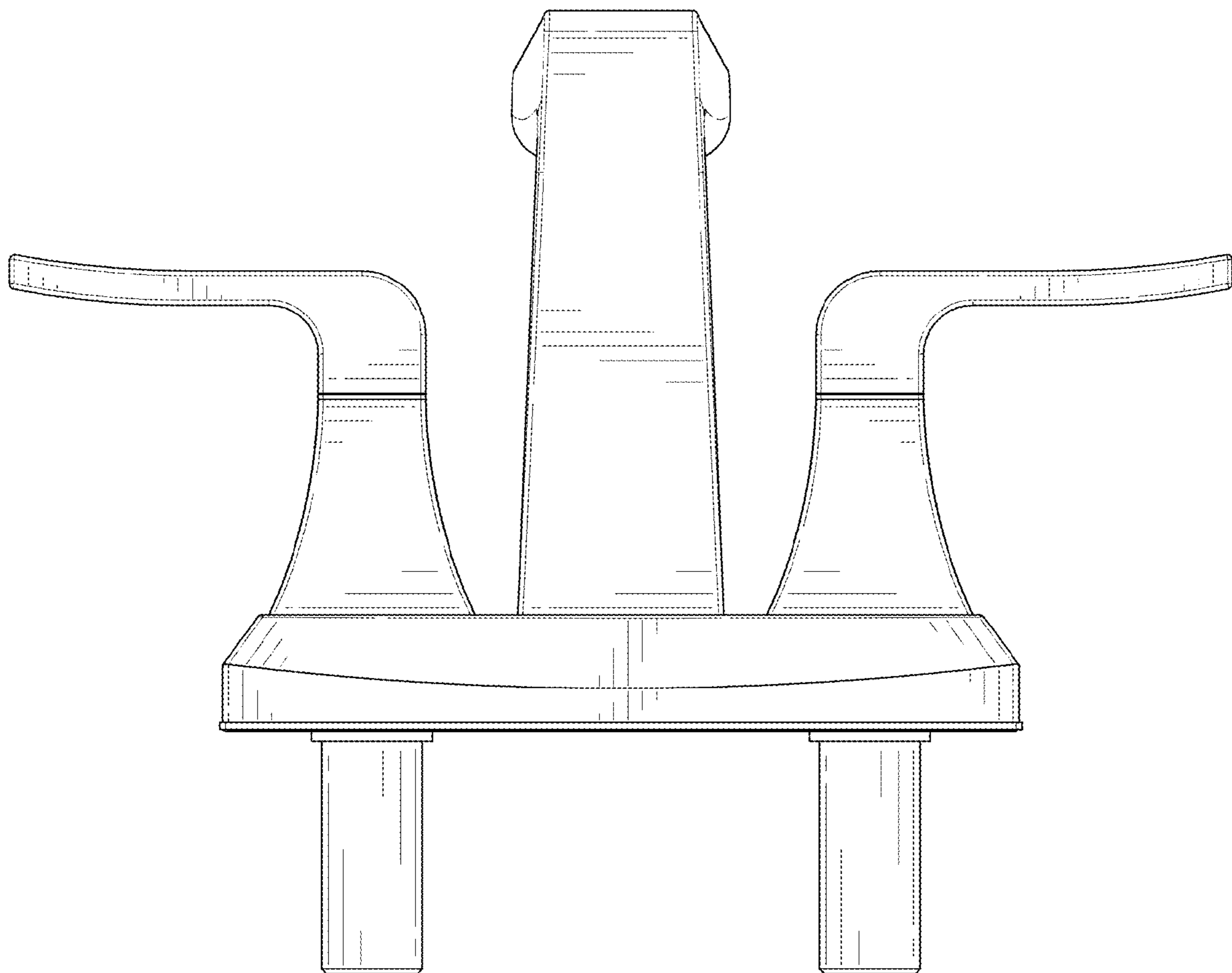


FIG. 4

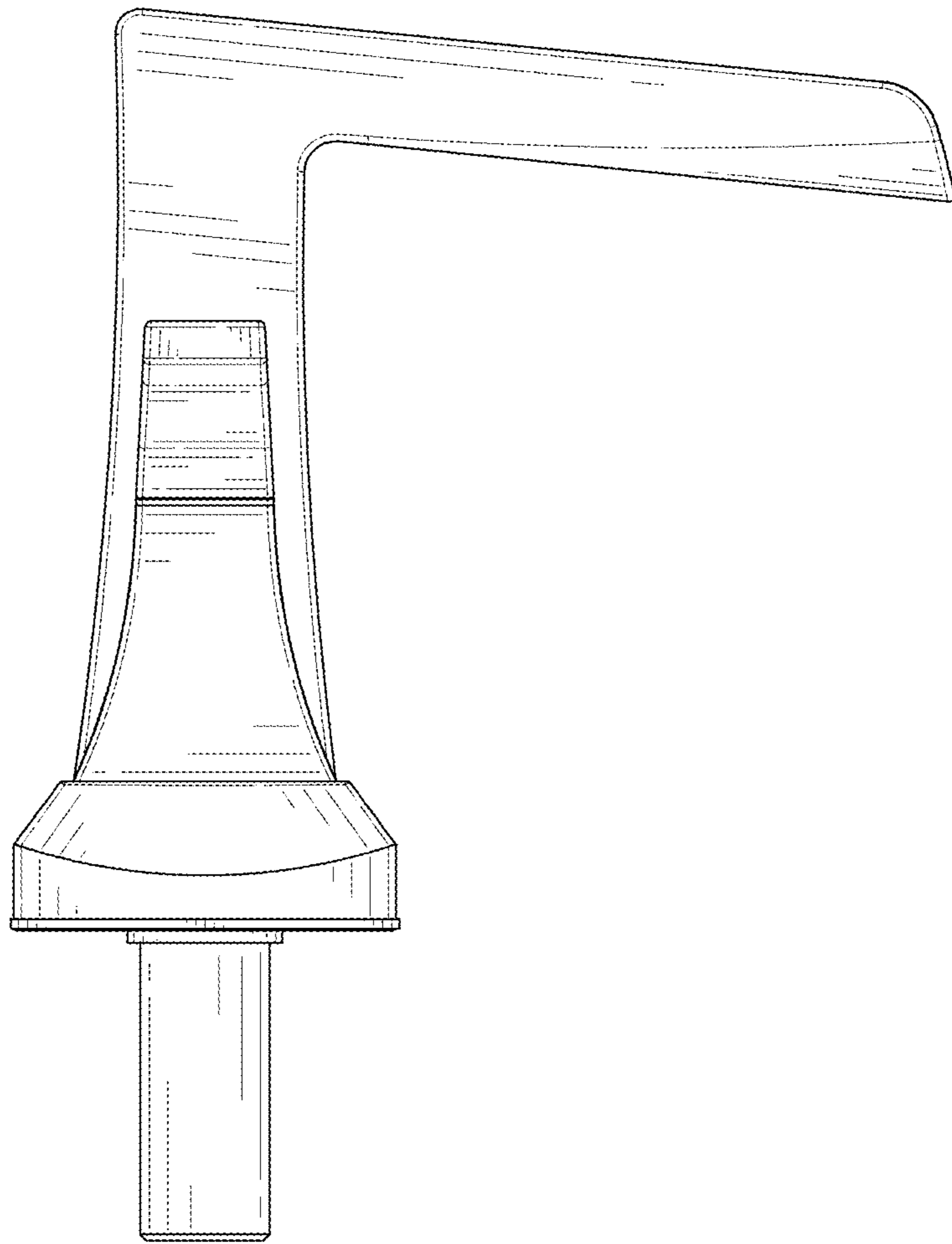


FIG. 5

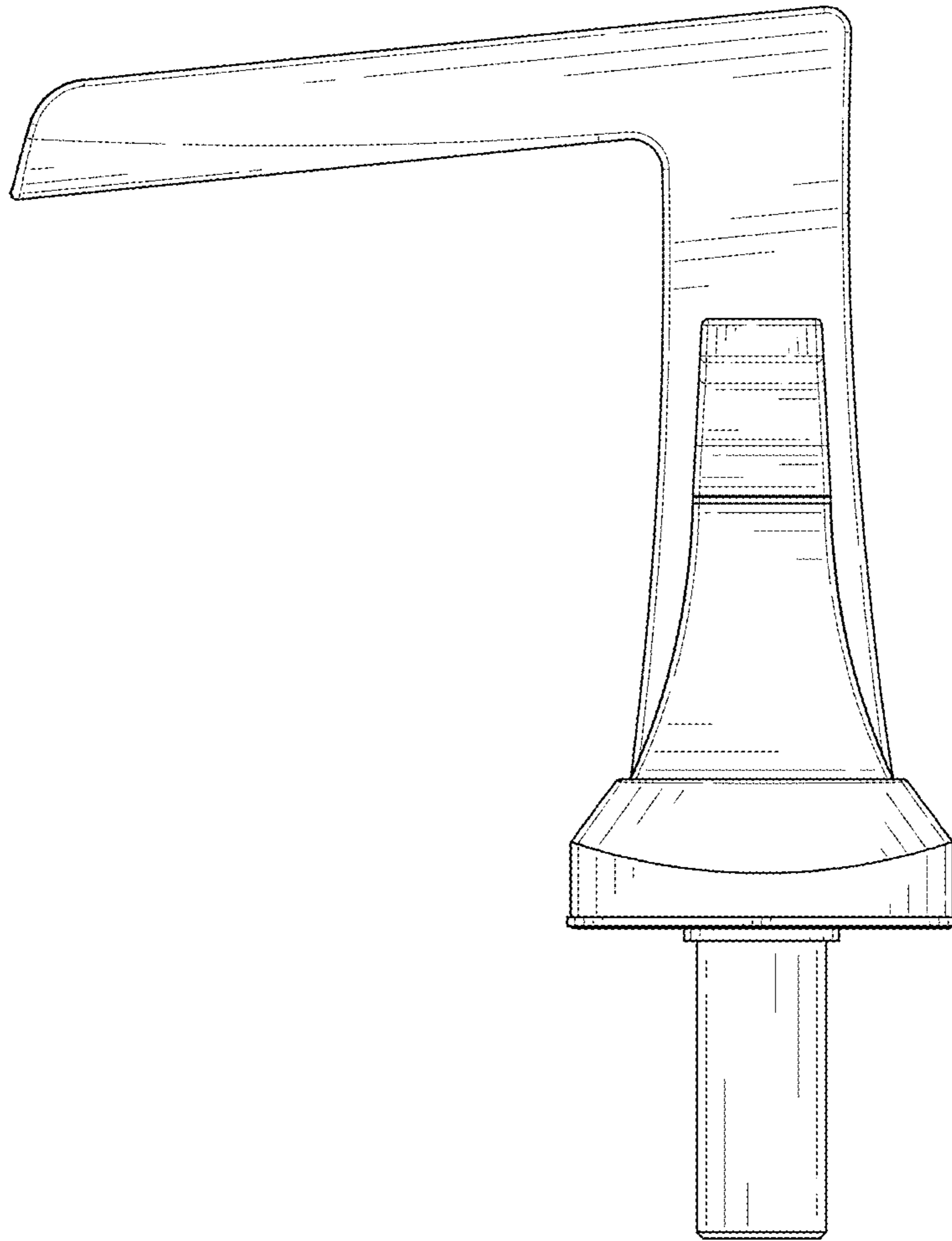


FIG. 6

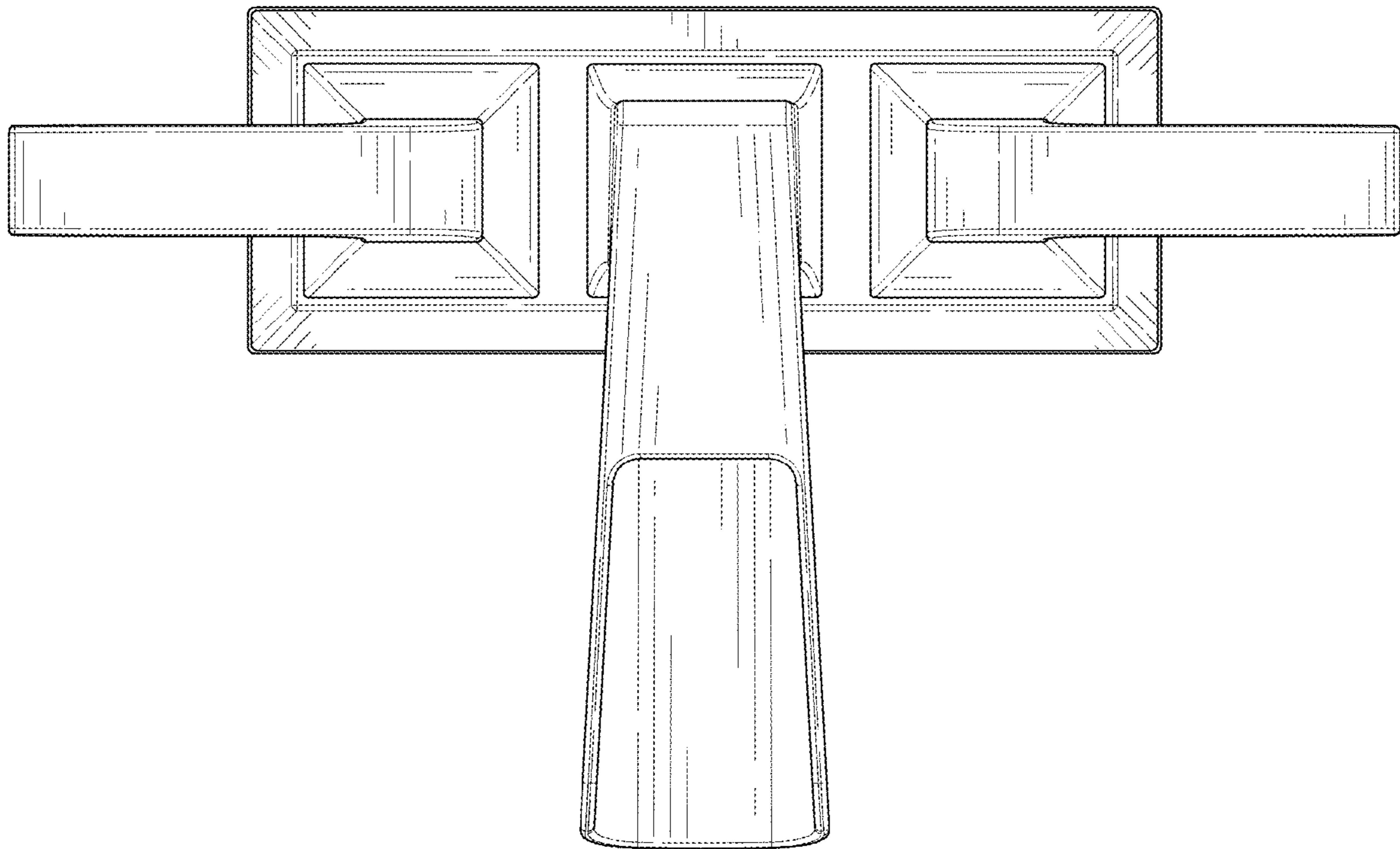


FIG. 7

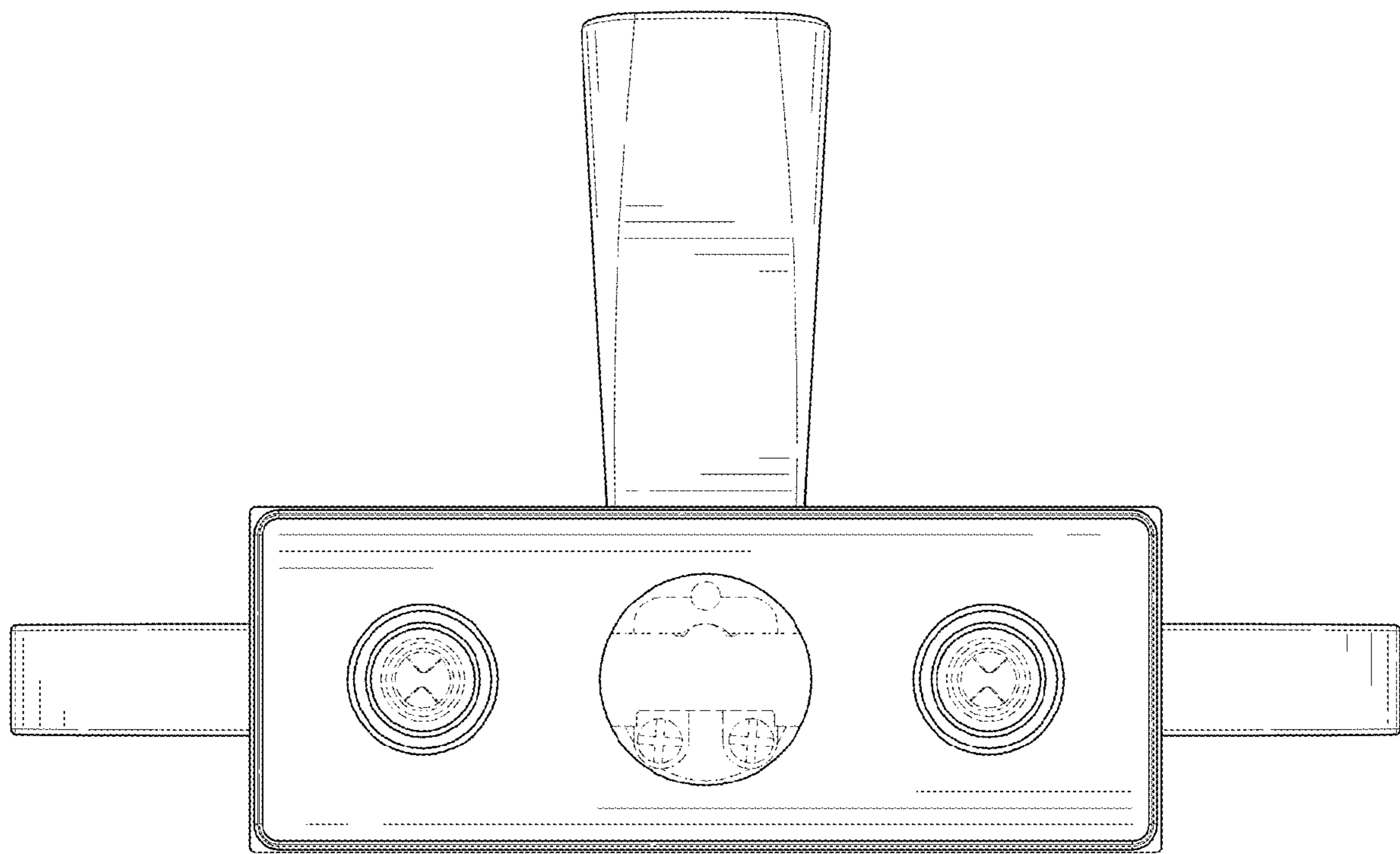


FIG. 8

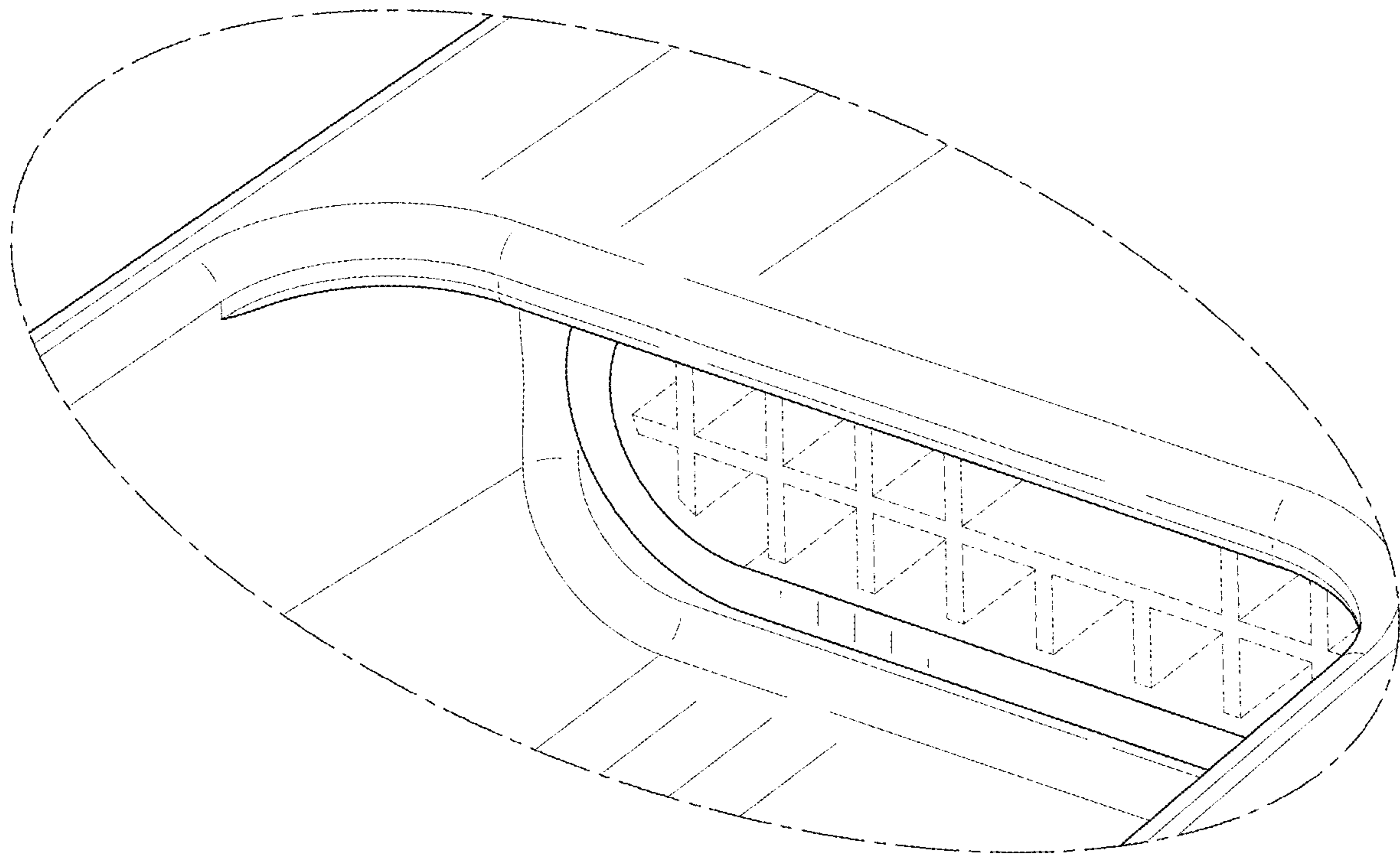


FIG. 9