



US00D916241S

(12) **United States Design Patent**
Joseph

(10) **Patent No.:** **US D916,241 S**
(45) **Date of Patent:** **** Apr. 13, 2021**

(54) **FAUCET**
(71) Applicant: **Hamat Sanitary Fittings & Castings Ltd., Ashdod (IL)**
(72) Inventor: **Ronen Joseph, Ashdod (IL)**
(**) Term: **15 Years**
(21) Appl. No.: **29/679,502**
(22) Filed: **Feb. 7, 2019**
(51) **LOC (13) Cl.** **23-01**
(52) **U.S. Cl.**
USPC **D23/238**
(58) **Field of Classification Search**
USPC D23/238-244, 252, 254, 255, 257;
D8/307-308
CPC F16K 31/602; F16K 31/605; F16K 31/607;
E03C 1/0412
See application file for complete search history.

D863,506 S * 10/2019 Hayner D23/238
D864,356 S * 10/2019 Zhang D23/238
10,519,635 B2 * 12/2019 Fourman F16K 19/006
D884,123 S * 5/2020 Eads D23/238
10,669,701 B2 * 6/2020 Hadfield E03C 1/0404

FOREIGN PATENT DOCUMENTS

CN 302134775 * 5/2012

OTHER PUBLICATIONS

Lazy 302759, announced Date unavailable[online], [site visited Jul. 22, 2020]. Available from internet, URL:<<https://en.hamat.co.il/lazy-302759>> (Year: 2020).*

* cited by examiner

Primary Examiner — Barbara Fox
Assistant Examiner — Jamaal Rasheed
(74) *Attorney, Agent, or Firm* — JMB Davis Ben-David

(57) **CLAIM**

The ornamental design for a faucet, as shown and described.

DESCRIPTION

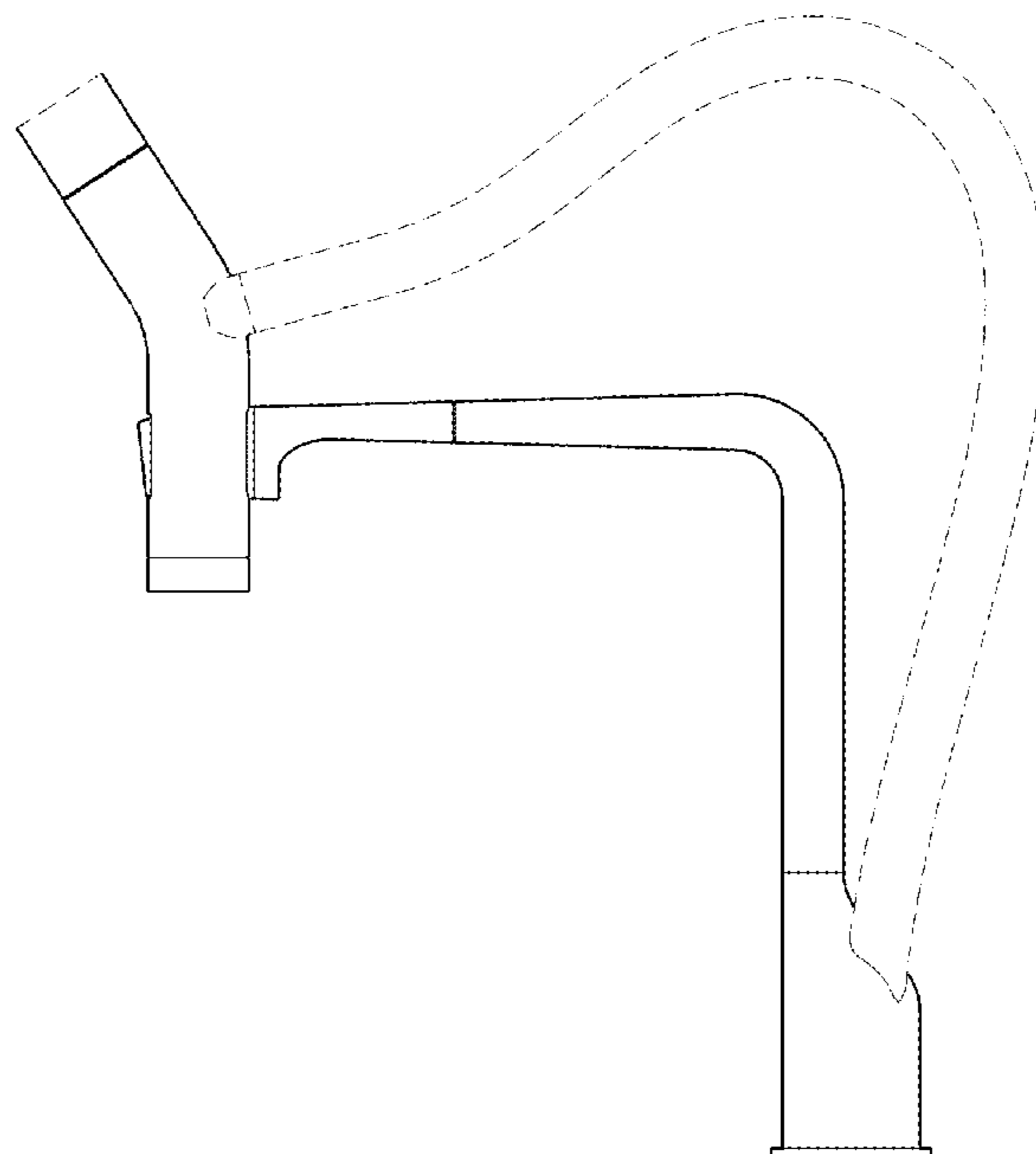
FIG. 1 is a first side view of a faucet showing the new design;
FIG. 2 is a second side view thereof;
FIG. 3 is a front view thereof;
FIG. 4 is a rear view thereof;
FIG. 5 is a top view thereof;
FIG. 6 is a bottom view thereof;
FIG. 7 is a top, front, right perspective view thereof; and,
FIG. 8 is a bottom, rear, left perspective view of thereof.
The broken line showing of the top of the control nozzle and the hose conduit is for the purpose of depicting portions of the article and forms no part of the claims design.

1 Claim, 6 Drawing Sheets

(56) **References Cited**

U.S. PATENT DOCUMENTS

D520,114 S * 5/2006 Starck D23/238
D708,713 S * 7/2014 Yu D23/238
D735,298 S * 7/2015 Eads D23/238
D802,720 S * 11/2017 Haug D23/238
D810,875 S * 2/2018 Bahler D23/238
D810,883 S * 2/2018 Bahler D23/249
D820,401 S * 6/2018 Zeng D23/238
D840,511 S * 2/2019 Garland D23/242
D844,109 S * 3/2019 Rexach D23/238
10,233,618 B2 * 3/2019 Clarke E03C 1/0404
10,233,619 B1 * 3/2019 Lin E03C 1/0404
D855,155 S * 7/2019 Stuart D23/238
D857,844 S * 8/2019 Levi D23/238
D862,647 S * 10/2019 Zeng D23/238
D862,652 S * 10/2019 Zeng D23/238
D863,505 S * 10/2019 Zeng D23/238



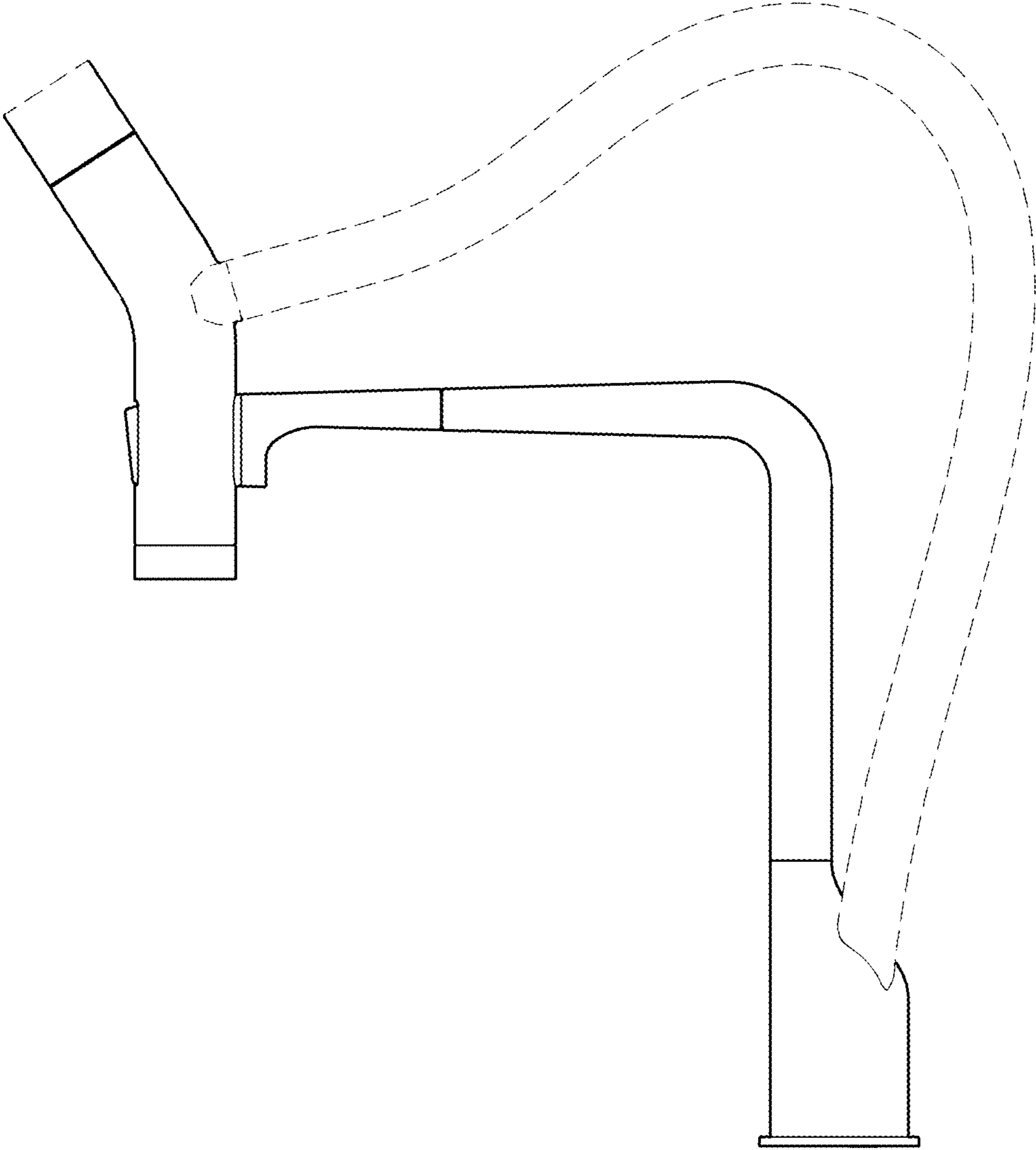


FIG.1

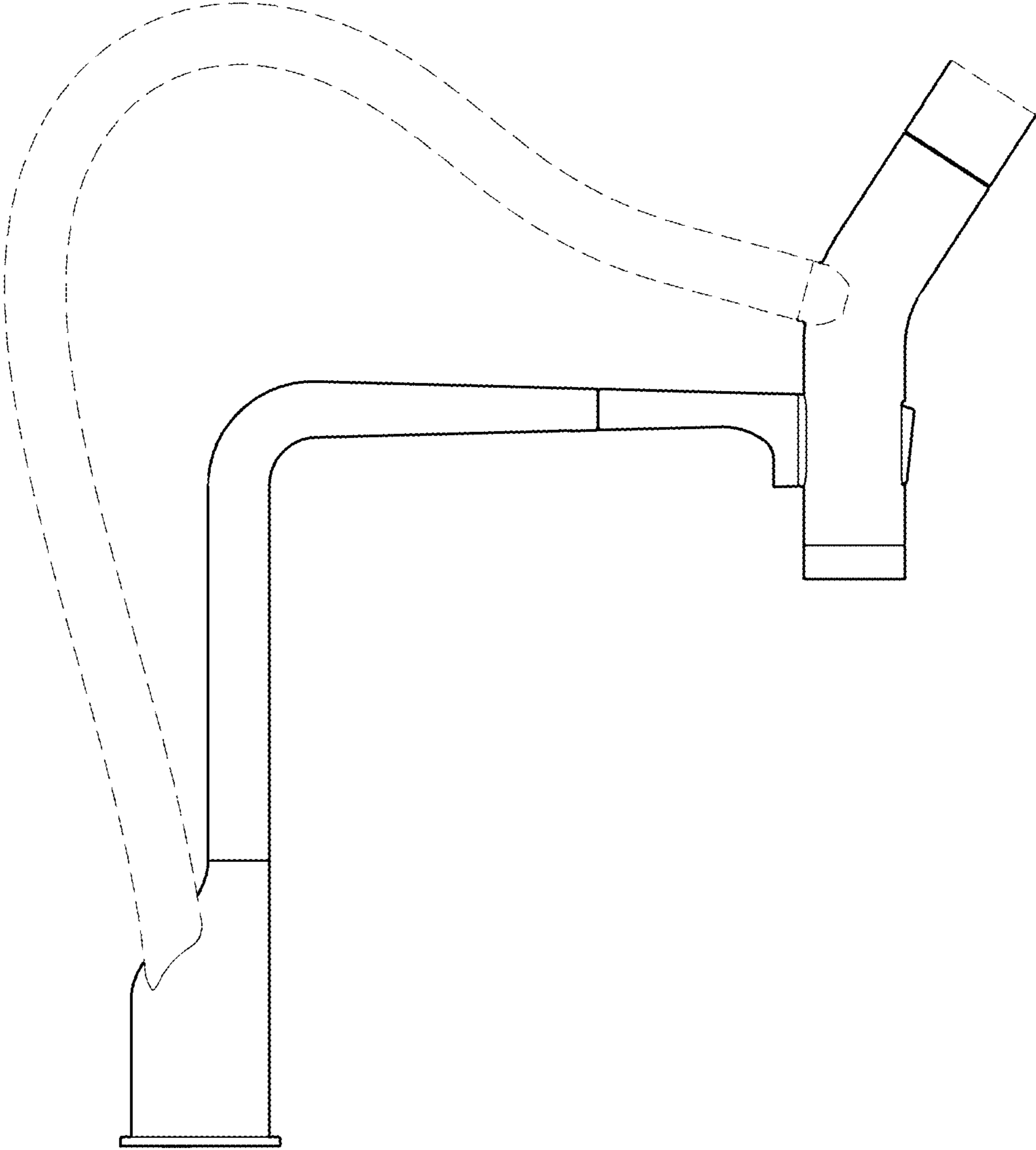


FIG.2

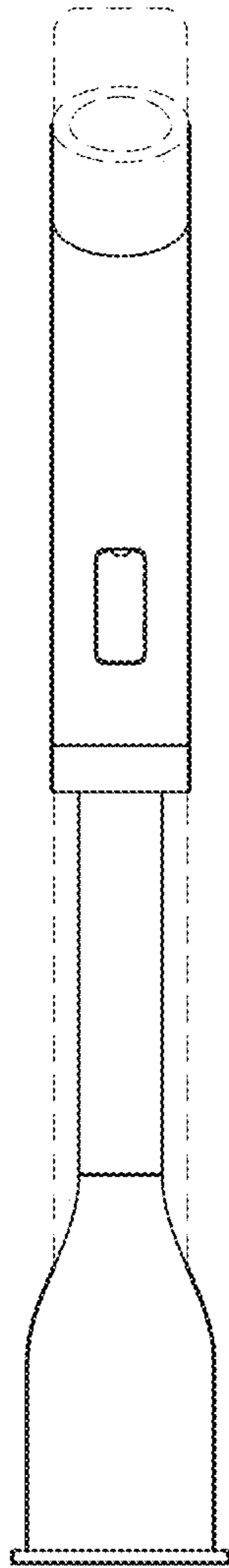


FIG. 3

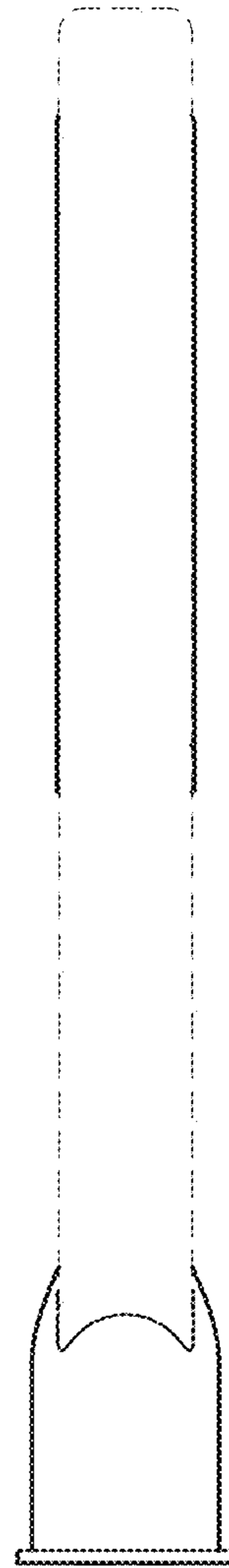


FIG. 4

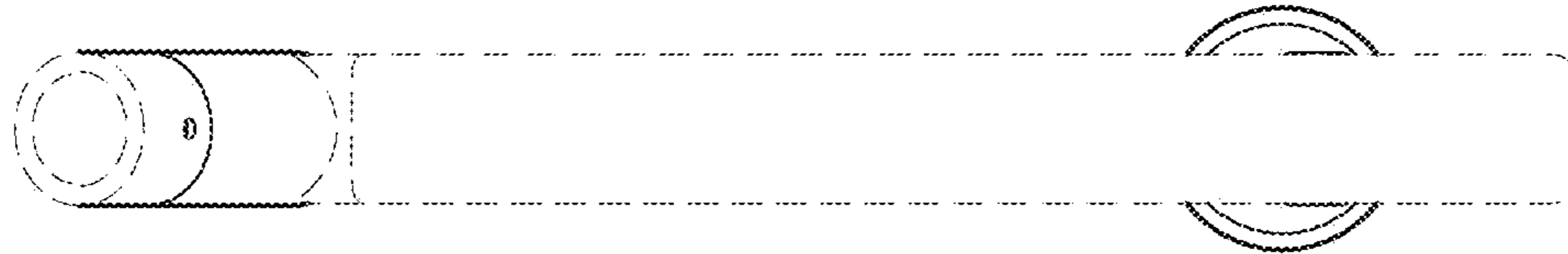


FIG. 5

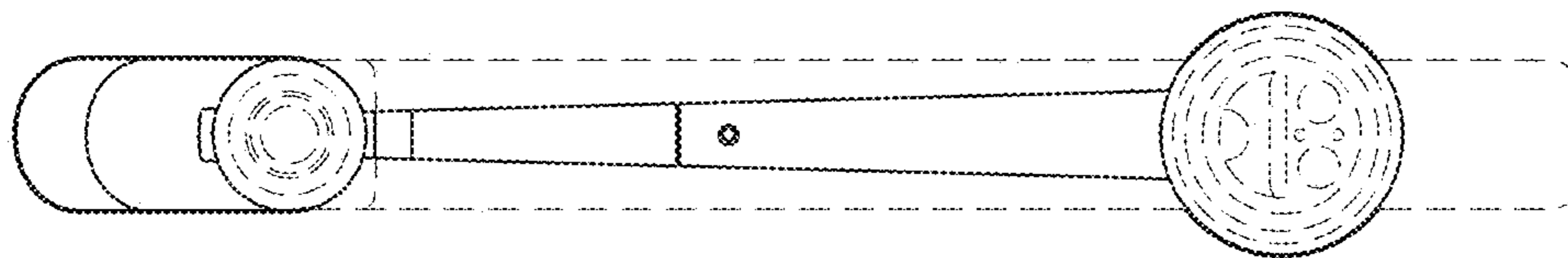


FIG. 6

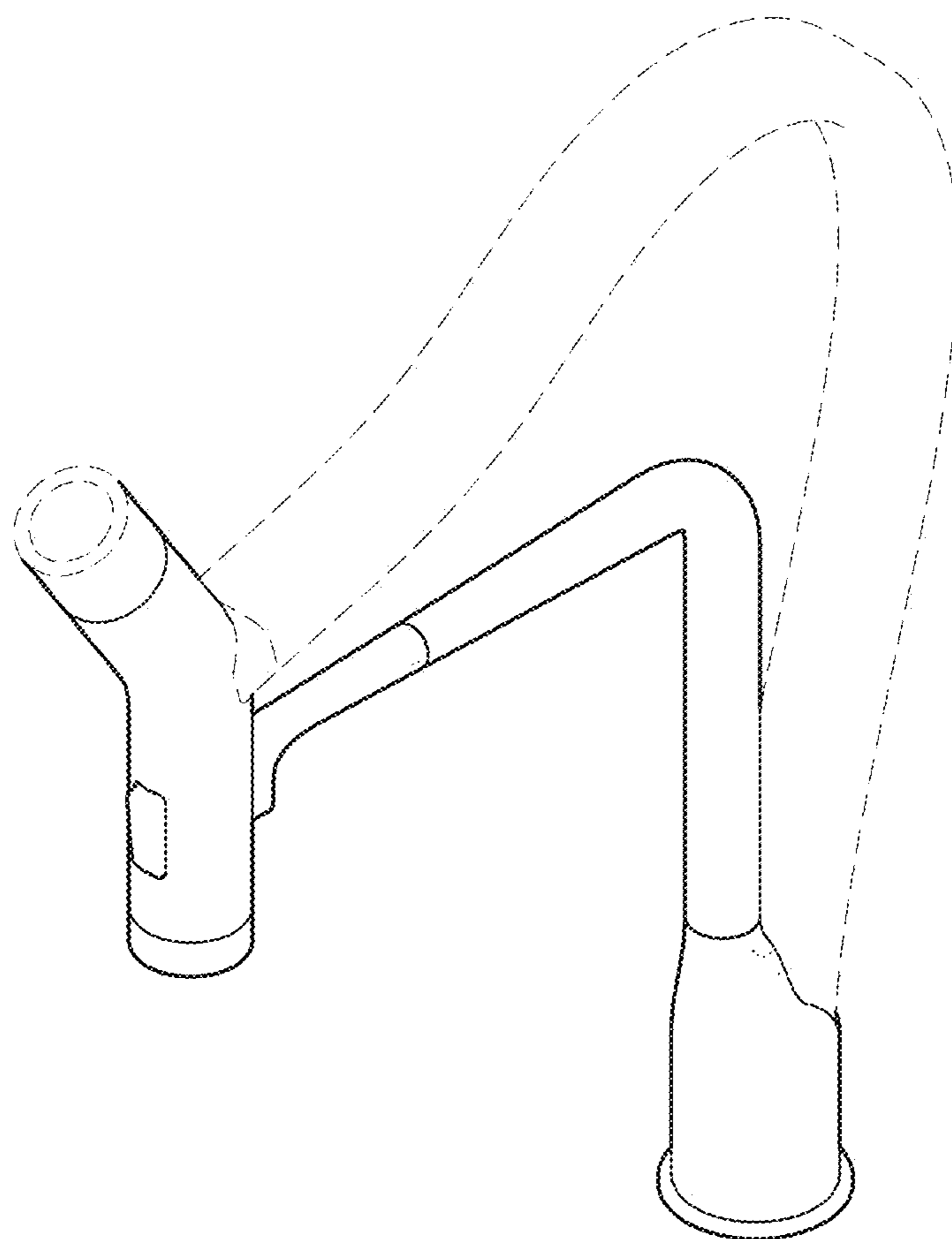


FIG. 7

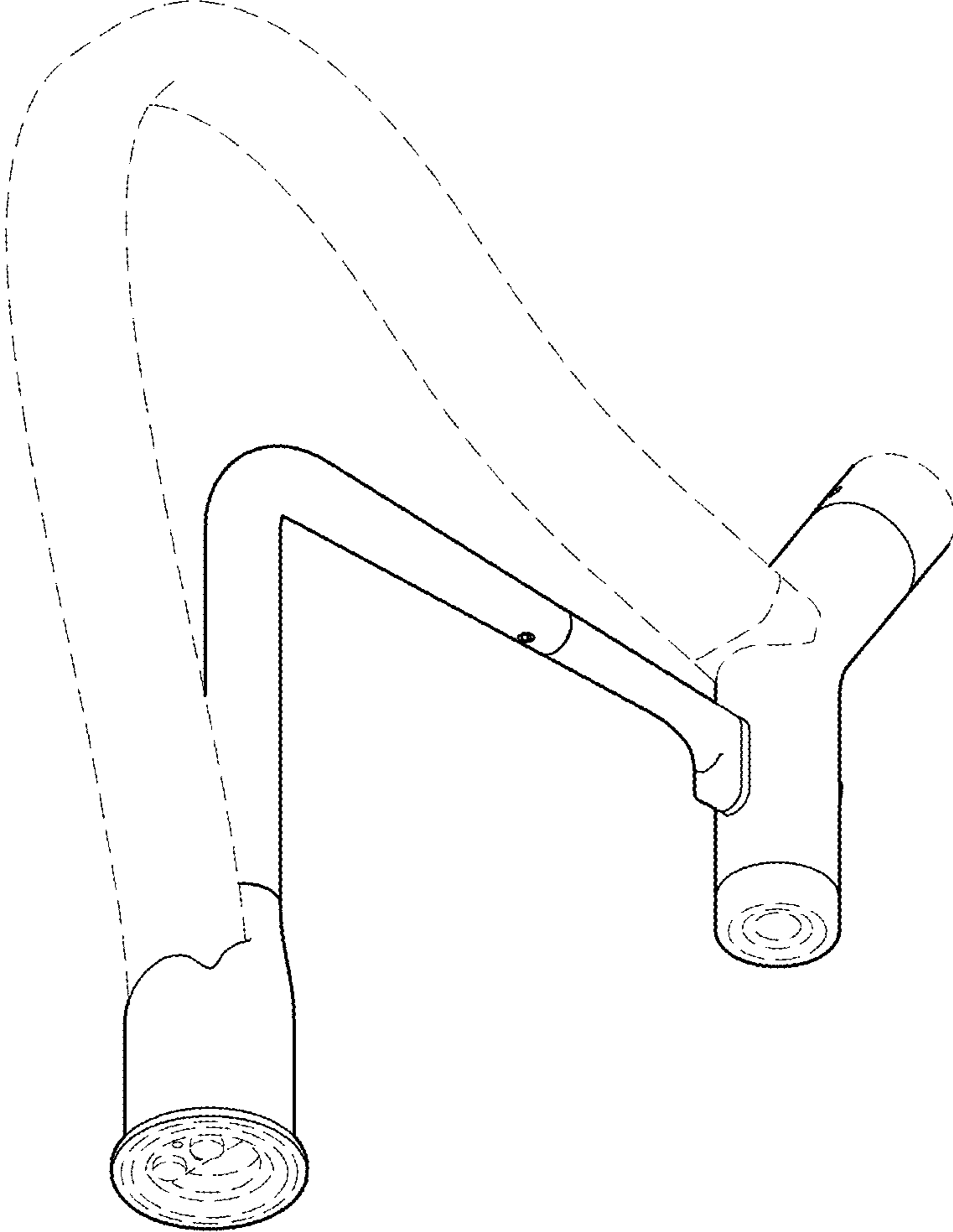


FIG.8