



US00D916240S

(12) **United States Design Patent**  
**Nowell et al.**

(10) **Patent No.:** **US D916,240 S**

(45) **Date of Patent:** **\*\* Apr. 13, 2021**

(54) **FLUID END**

(71) Applicant: **Kerr Machine Co.**, Sulphur, OK (US)

(72) Inventors: **Mark S. Nowell**, Ardmore, OK (US);  
**Kelcy Jake Foster**, Ardmore, OK (US)

(73) Assignee: **Kerr Machine Co.**, Sulphur, OK (US)

(\*\*) Term: **15 Years**

(21) Appl. No.: **29/672,918**

(22) Filed: **Dec. 10, 2018**

(51) **LOC (13) Cl.** ..... **23-01**

(52) **U.S. Cl.**  
USPC ..... **D23/233**

(58) **Field of Classification Search**  
USPC ..... D23/233; 137/512, 329.04  
CPC ..... F04B 53/16; F04B 53/10; F04B 53/007;  
F04B 53/1087; F04B 1/00; F04B 1/0421;  
F04B 53/168; F04B 9/1095; F16K  
25/005; F16K 47/00

See application file for complete search history.

3,589,387 A	6/1971	Raymond
3,679,332 A	7/1972	Yohpe
4,047,850 A	9/1977	Berthelot
4,170,214 A	10/1979	Gill et al.
4,363,463 A	12/1982	Moon, Jr.
4,388,050 A	6/1983	Schuller
4,467,703 A	8/1984	Redwine et al.
4,470,771 A	9/1984	Hall et al.
4,520,837 A	6/1985	Cole et al.
4,768,933 A	9/1988	Stachowiak
4,771,801 A	9/1988	Crump et al.
4,773,833 A	9/1988	Wilkinson et al.
4,778,347 A	10/1988	Mize
4,861,241 A	8/1989	Gamboa et al.
4,878,815 A	11/1989	Stachowiak
4,891,241 A	1/1990	Hashimoto et al.
4,948,349 A	8/1990	Koiwa
4,984,970 A	1/1991	Eickmann

(Continued)

Primary Examiner — Gino Colan

(74) *Attorney, Agent, or Firm* — Tomlinson McKinstry, P.C.

(57) **CLAIM**

The ornamental design for a fluid end, as shown and described.

**DESCRIPTION**

FIG. 1 is a right side plan view of a fluid end of our new design;

FIG. 2 is a front plan view thereof;

FIG. 3 is a left side plan view thereof;

FIG. 4 is a back view thereof;

FIG. 5 is a bottom view thereof;

FIG. 6 is a top view thereof;

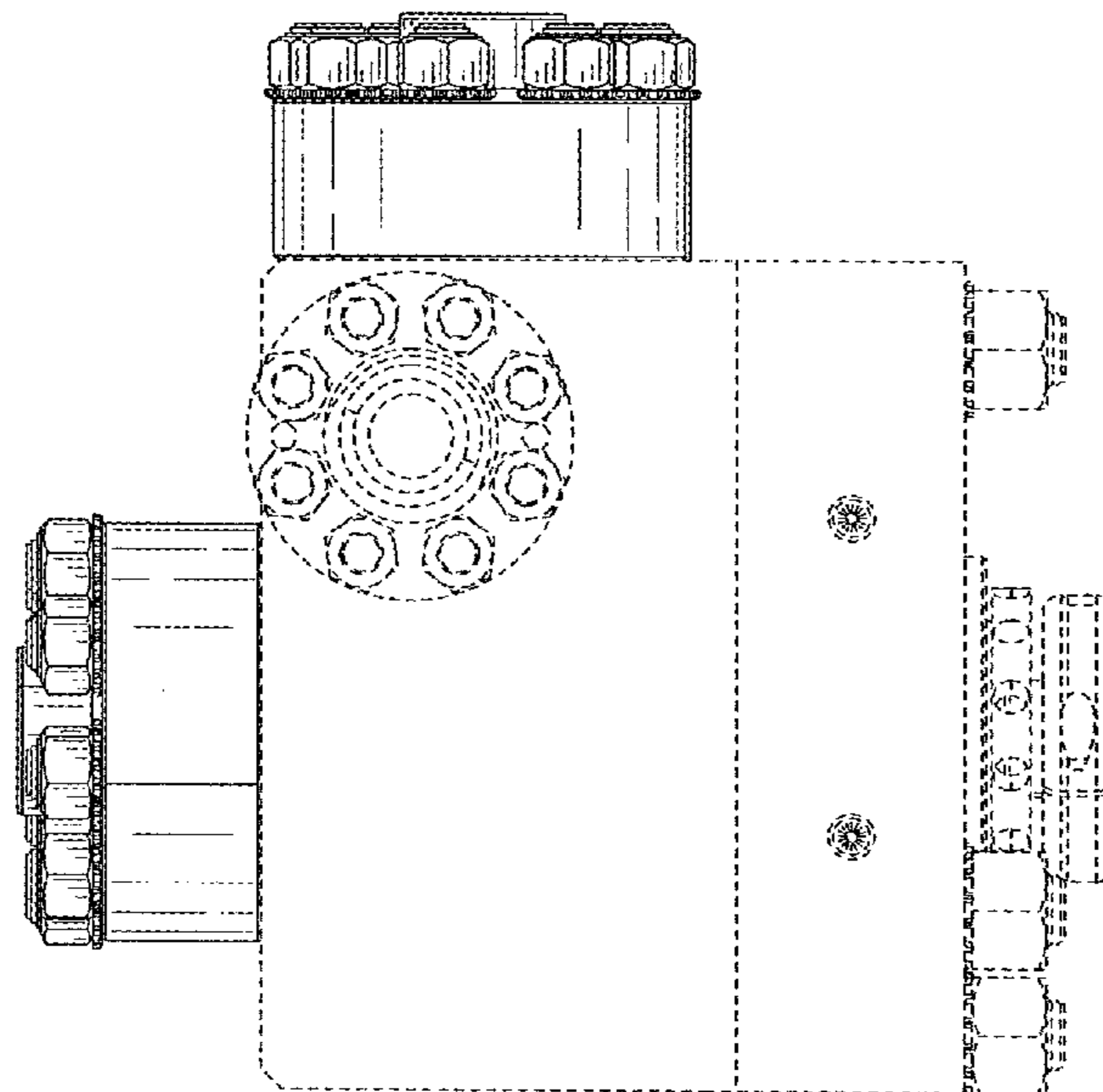
FIG. 7 is a top front right perspective view thereof; and,

FIG. 8 is a top back left perspective view thereof.

The broken lines shown in the figures are for the purpose of illustrating portions of the fluid end and form no part of the claimed design.

**1 Claim, 8 Drawing Sheets**

- (56) **References Cited**
- U.S. PATENT DOCUMENTS
- |             |         |                       |
|-------------|---------|-----------------------|
| 1,316,539 A | 9/1919  | Ford                  |
| 1,822,682 A | 9/1931  | Weiger                |
| 2,713,522 A | 7/1955  | Petch                 |
| 2,756,960 A | 7/1956  | Church                |
| 2,856,857 A | 10/1958 | Saalfrank             |
| 3,053,500 A | 9/1962  | Atkinson              |
| 3,146,724 A | 9/1964  | Cornelsen             |
| 3,152,787 A | 10/1964 | Timmons               |
| 3,173,648 A | 3/1965  | McGuire et al.        |
| 3,179,121 A | 4/1965  | Bredtschneider et al. |
| 3,257,952 A | 6/1966  | McCormick             |
| 3,373,695 A | 3/1968  | Yohpe                 |
| 3,427,988 A | 2/1969  | Redman et al.         |
| 3,474,808 A | 10/1969 | Elliott               |



(56)

References Cited

U.S. PATENT DOCUMENTS

5,059,101	A	10/1991	Valavaara	D806,241	S	12/2017	Swinney et al.
5,073,096	A	12/1991	King et al.	D829,864	S	* 10/2018	Miyazoe ..... D23/233
5,145,340	A	9/1992	Allard	D830,510	S	* 10/2018	Miyazoe ..... D23/233
5,207,242	A	5/1993	Daghe et al.	10,184,470	B2	1/2019	Barnett, Jr.
5,226,445	A	7/1993	Surjaatmadja	10,240,594	B2	* 3/2019	Barnhouse, Jr. .... F04B 53/02
5,362,215	A	11/1994	King	10,260,543	B2	* 4/2019	Freed ..... F16B 7/0406
5,370,148	A	12/1994	Shafer	10,273,954	B2	* 4/2019	Brown ..... F04B 53/164
5,507,219	A	4/1996	Stogner	10,570,896	B1	* 2/2020	Guerra ..... F04B 53/16
5,524,902	A	6/1996	Cornette	10,648,490	B2	* 5/2020	Foster ..... F04B 53/143
6,164,318	A	12/2000	Dixon	10,670,013	B2	* 6/2020	Foster ..... F04B 1/0408
6,257,626	B1	7/2001	Campau	10,760,567	B2	* 9/2020	Salih ..... F04B 53/1027
6,382,940	B1	5/2002	Blume	2002/0166588	A1	11/2002	Dean
6,419,459	B1	7/2002	Sibbing	2004/0170507	A1	9/2004	Vicars
6,544,012	B1	4/2003	Blume	2004/0234404	A1	11/2004	Vicars
6,641,112	B2	11/2003	Antoff et al.	2006/0002806	A1	1/2006	Baxter et al.
6,910,871	B1	6/2005	Blume	2006/0027779	A1	2/2006	McGuire et al.
7,140,211	B2	11/2006	Tremblay	2008/0006089	A1	1/2008	Adnan et al.
7,168,440	B1	1/2007	Blume	2008/0008605	A1	1/2008	Bauer et al.
7,186,097	B1	3/2007	Blume	2008/0093361	A1	4/2008	Kennedy et al.
7,290,560	B2	11/2007	Orr et al.	2008/0279706	A1	11/2008	Gambier et al.
7,296,591	B2	11/2007	Moe et al.	2010/0243255	A1	9/2010	Luharuka et al.
7,335,002	B2	2/2008	Vicars	2011/0079302	A1	4/2011	Hawes
7,506,574	B2	3/2009	Jensen et al.	2011/0173814	A1	7/2011	Patel
7,513,759	B1	4/2009	Blume	2011/0189040	A1	8/2011	Vicars
7,789,133	B2	9/2010	McGuire	2011/0206547	A1	8/2011	Kim et al.
7,828,053	B2	11/2010	McGuire et al.	2012/0063936	A1	3/2012	Baxter et al.
7,845,413	B2	12/2010	Shampine et al.	2012/0141308	A1	6/2012	Saini et al.
7,963,502	B2	6/2011	Lovell et al.	2012/0187321	A1	7/2012	Small
8,100,407	B2	1/2012	Stanton et al.	2013/0020521	A1	1/2013	Byrne
8,317,498	B2	11/2012	Gambier et al.	2013/0112074	A1	5/2013	Small
8,360,094	B2	1/2013	Steinbock et al.	2013/0202458	A1	8/2013	Byrne et al.
D687,125	S	* 7/2013	Hawes ..... D23/233	2013/0319220	A1	12/2013	Luharuka et al.
8,528,462	B2	9/2013	Pacht	2014/0127062	A1	5/2014	Buckley et al.
8,528,585	B2	9/2013	McGuire	2014/0196883	A1	7/2014	Artherholt et al.
8,701,546	B2	4/2014	Pacht	2014/0348677	A1	11/2014	Moeller et al.
9,010,412	B2	4/2015	McGuire	2015/0084335	A1	3/2015	Farrell et al.
9,188,121	B1	11/2015	Dille	2015/0132157	A1	5/2015	Whaley et al.
9,260,933	B2	2/2016	Artherholt et al.	2015/0144826	A1	5/2015	Bayyouk et al.
9,328,745	B2	5/2016	Bartlok et al.	2016/0123313	A1	5/2016	Simmons
9,371,919	B2	6/2016	Forrest et al.	2016/0160848	A1	6/2016	Toppings et al.
9,416,887	B2	8/2016	Blume	2017/0002947	A1	1/2017	Bayyouk et al.
9,435,454	B2	9/2016	Blume	2017/0089473	A1	3/2017	Nowell et al.
9,534,473	B2	1/2017	Morris et al.	2017/0204852	A1	7/2017	Barnett, Jr.
9,631,739	B2	4/2017	Belshan	2017/0211565	A1	7/2017	Morreale
9,732,746	B2	8/2017	Chandrasekaran et al.	2018/0017173	A1	1/2018	Nowell et al.
9,822,894	B2	11/2017	Bayyouk et al.	2018/0313456	A1	11/2018	Bayyouk et al.
				2019/0011051	A1	1/2019	Yeung

\* cited by examiner

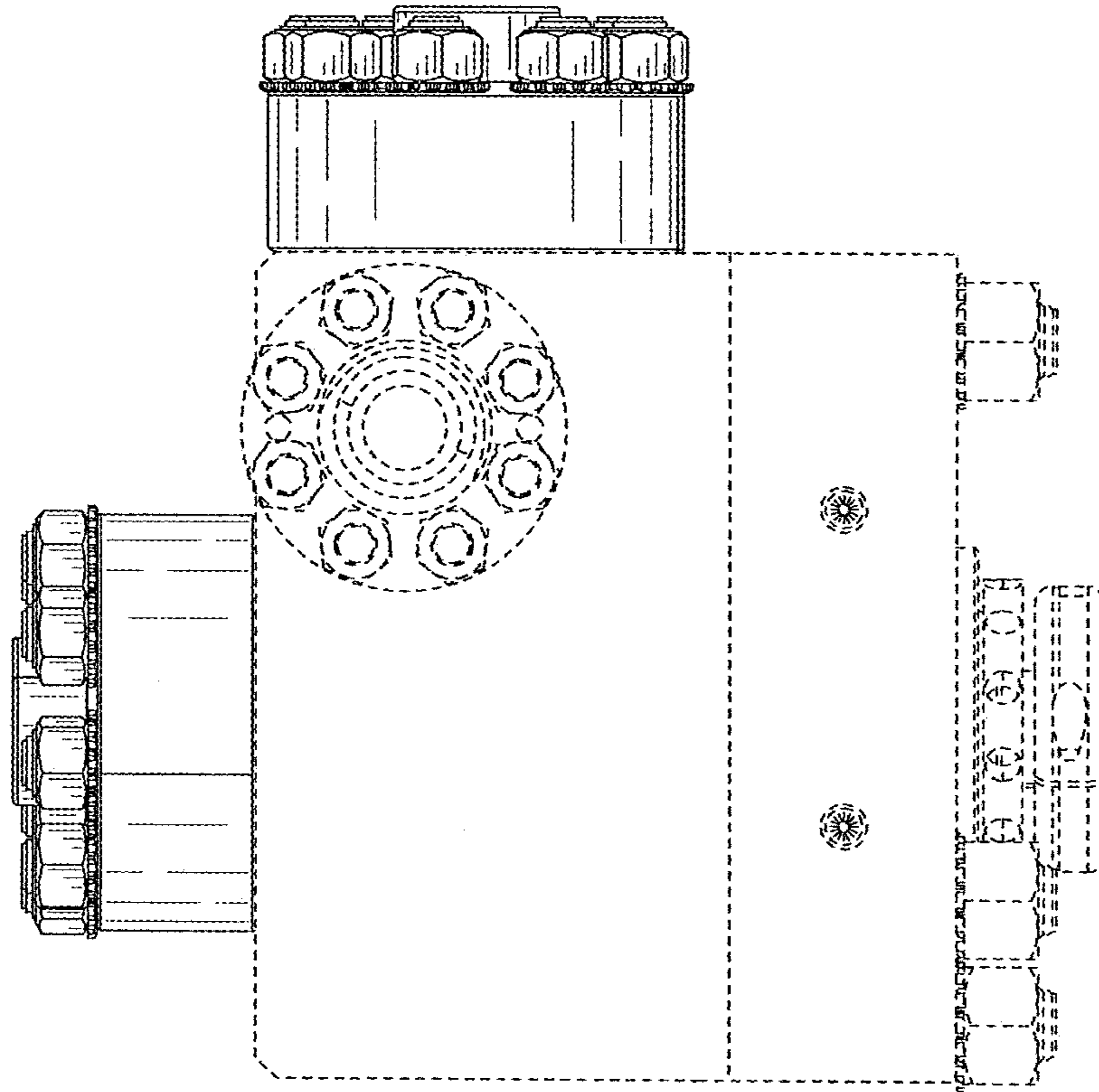


FIG. 1

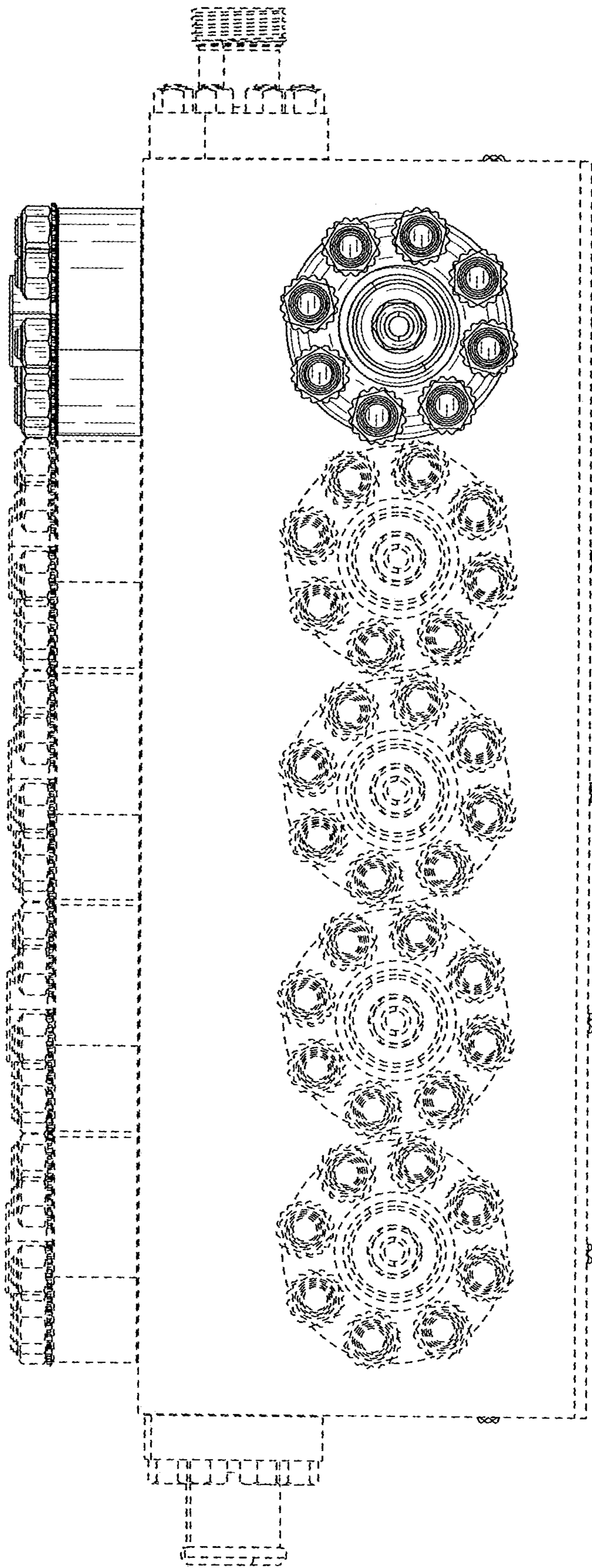


FIG. 2

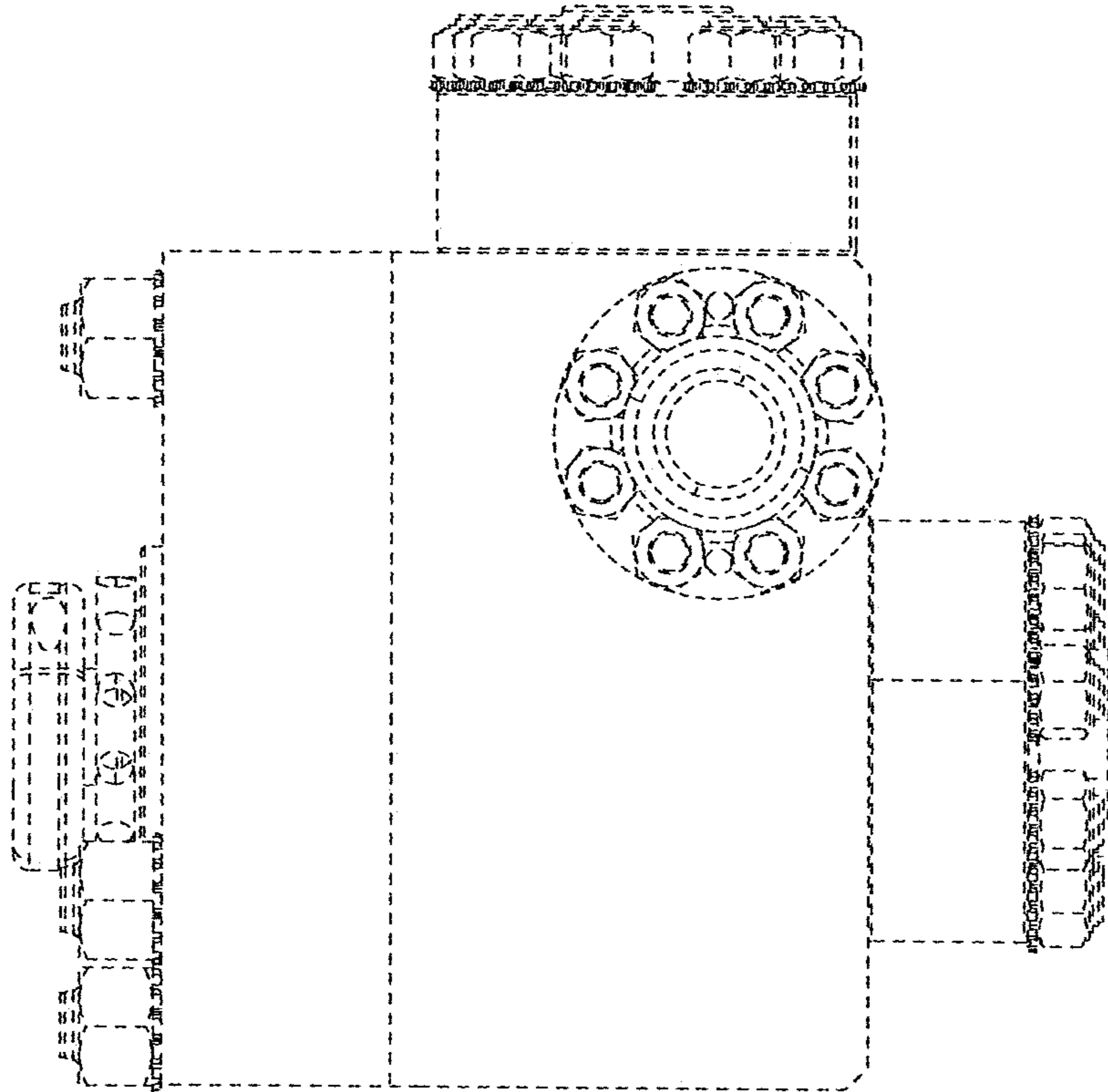


FIG. 3

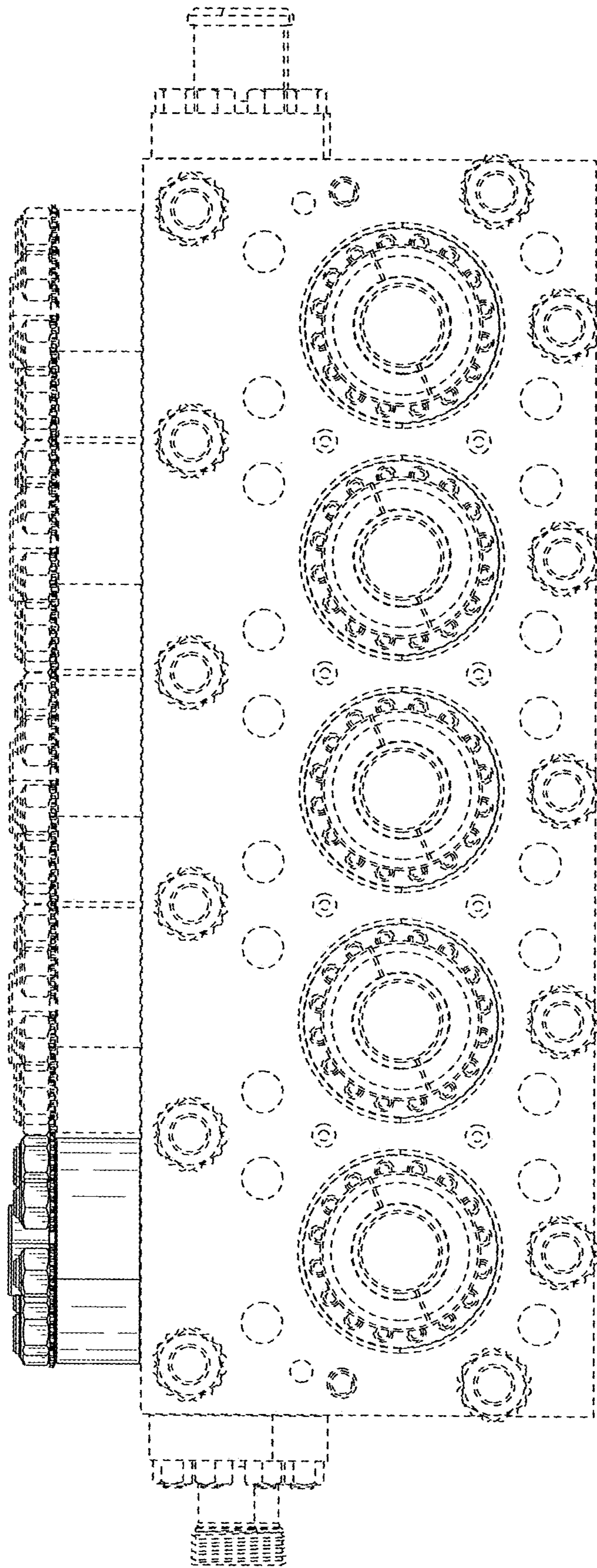


FIG. 4

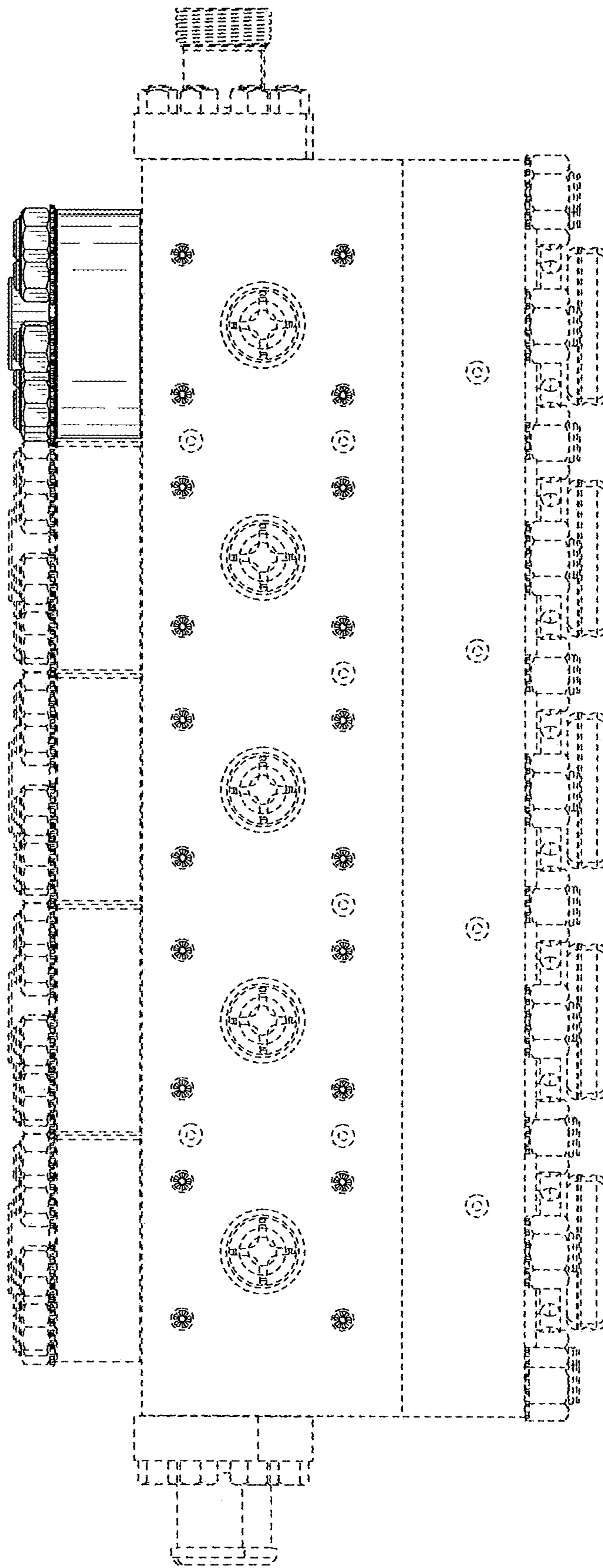


FIG. 5

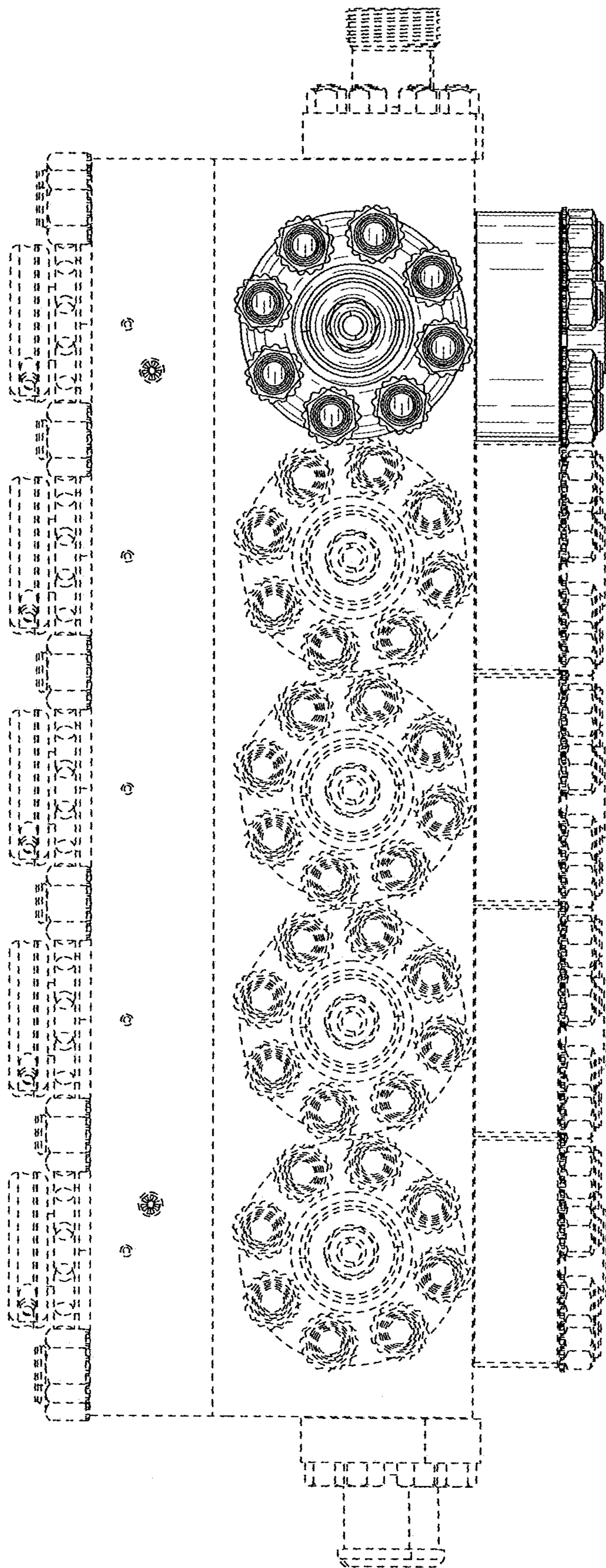


FIG. 6



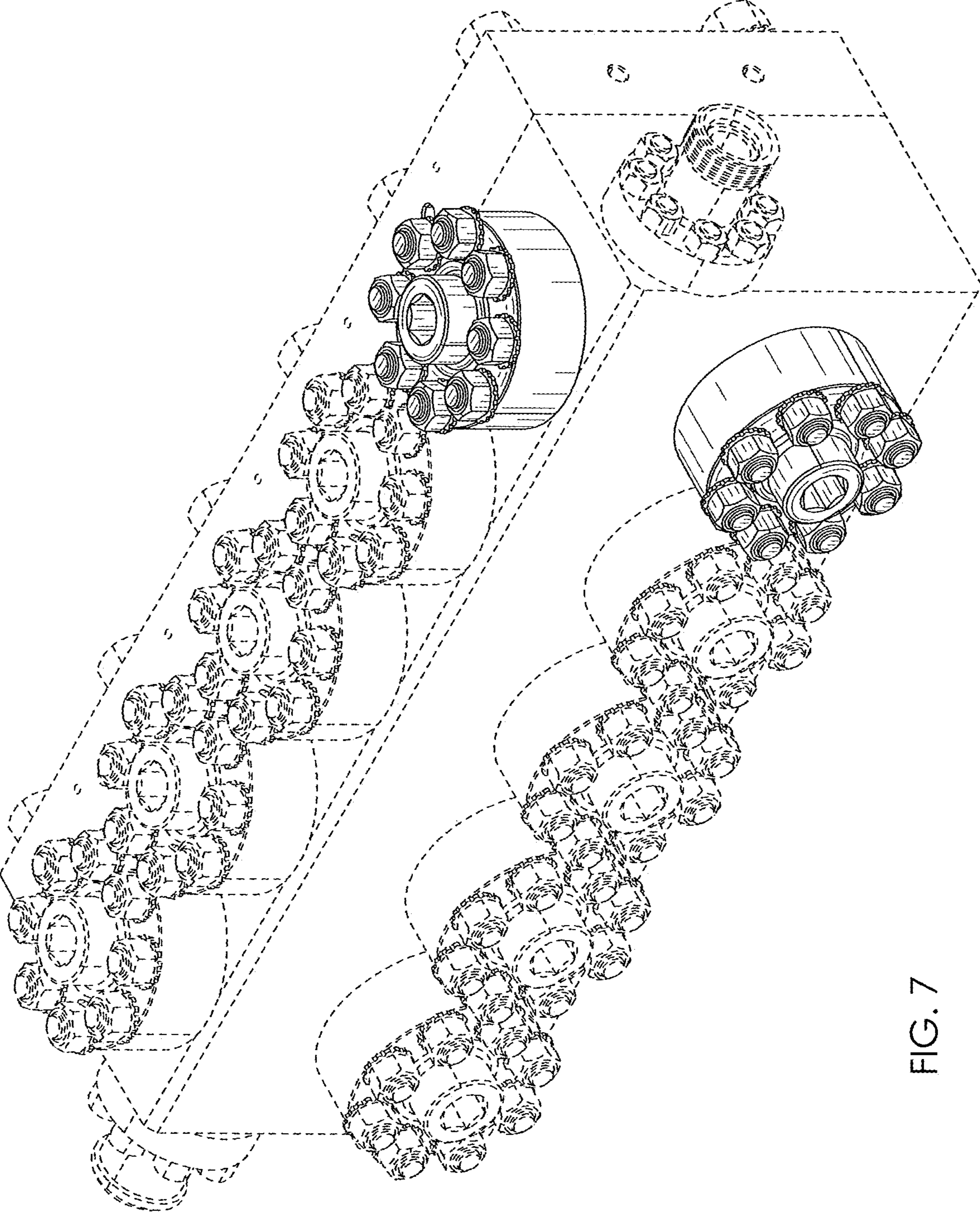


FIG. 7

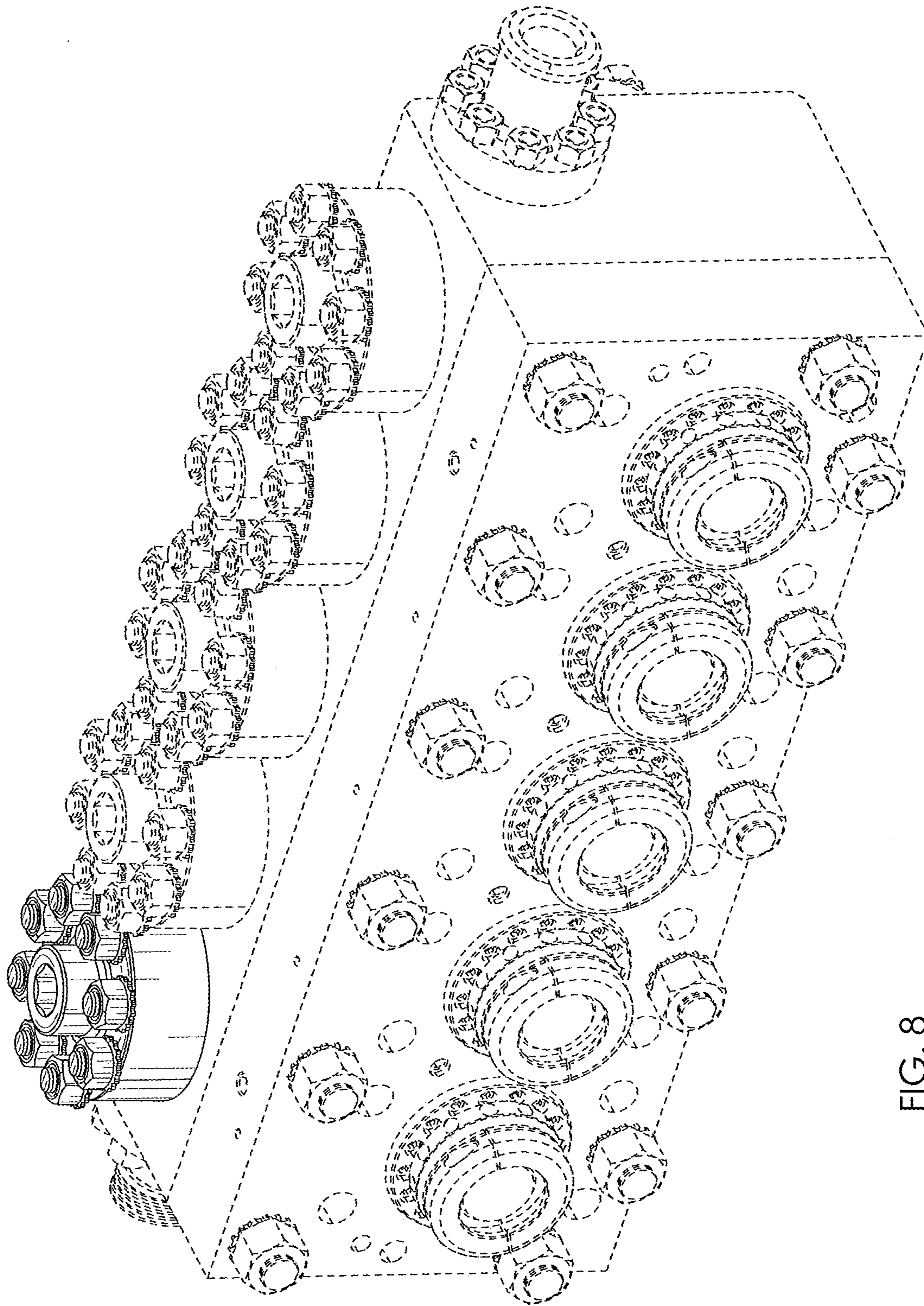


FIG. 8