



US00D916238S

(12) **United States Design Patent** (10) **Patent No.:** **US D916,238 S**
Coelho et al. (45) **Date of Patent:** **** Apr. 13, 2021**

- (54) **OUTER FILTER ELEMENT**
- (71) Applicant: **Masterspas, LLC**, Fort Wayne, IN (US)
- (72) Inventors: **Nathan Coelho**, Leo, IN (US); **Michael Davenport**, Fort Wayne, IN (US)
- (73) Assignee: **Masterspas, LLC**, Fort Wayne, IN (US)
- (**) Term: **15 Years**
- (21) Appl. No.: **29/731,356**
- (22) Filed: **Apr. 14, 2020**

Related U.S. Application Data

- (60) Continuation of application No. 29/700,712, filed on Aug. 5, 2019, now Pat. No. Des. 881,339, which is a (Continued)
- (51) **LOC (13) Cl.** **23-01**
- (52) **U.S. Cl.**
USPC **D23/209**
- (58) **Field of Classification Search**
USPC **D23/209, 207**
(Continued)

(56) **References Cited**

U.S. PATENT DOCUMENTS

- D181,664 S 12/1957 Hans muller et al.
 - 3,347,386 A 10/1967 Kraissl, Jr.
- (Continued)

OTHER PUBLICATIONS

Ex Parte Quayle Action dated Apr. 5, 2018 for U.S. Appl. No. 29/581,857.

(Continued)

Primary Examiner — Kevin K Rudzinski
Assistant Examiner — J. Thorn, Sr.
(74) *Attorney, Agent, or Firm* — Kaplan Breyer Schwarz, LLP

(57) **CLAIM**

The ornamental design for an outer filter element, as shown and described.

DESCRIPTION

FIG. 1 is a top front right perspective view of a first embodiment of an outer filter element showing the new design;

FIG. 2 is a top front right perspective view of the outer filter element with an inner filter element of the filter being removed or inserted from the outer filter element thereof;

FIG. 3 is a bottom rear left perspective view thereof;

FIG. 4 is a front elevational view thereof;

FIG. 5 is a rear elevational view thereof;

FIG. 6 is a left elevational view thereof;

FIG. 7 is a right elevational view thereof;

FIG. 8 is a top plan view thereof;

FIG. 9 is a bottom plan view thereof;

FIG. 10 is a top front right perspective view of the outer filter element of FIG. 1, shown in a second embodiment;

FIG. 11 is a top front right perspective view of the outer filter element with an inner filter element of the filter being removed or inserted from the outer filter element thereof;

FIG. 12 is a bottom rear left perspective view thereof;

FIG. 13 is a front elevational view thereof;

FIG. 14 is a rear elevational view thereof;

FIG. 15 is a left elevational view thereof;

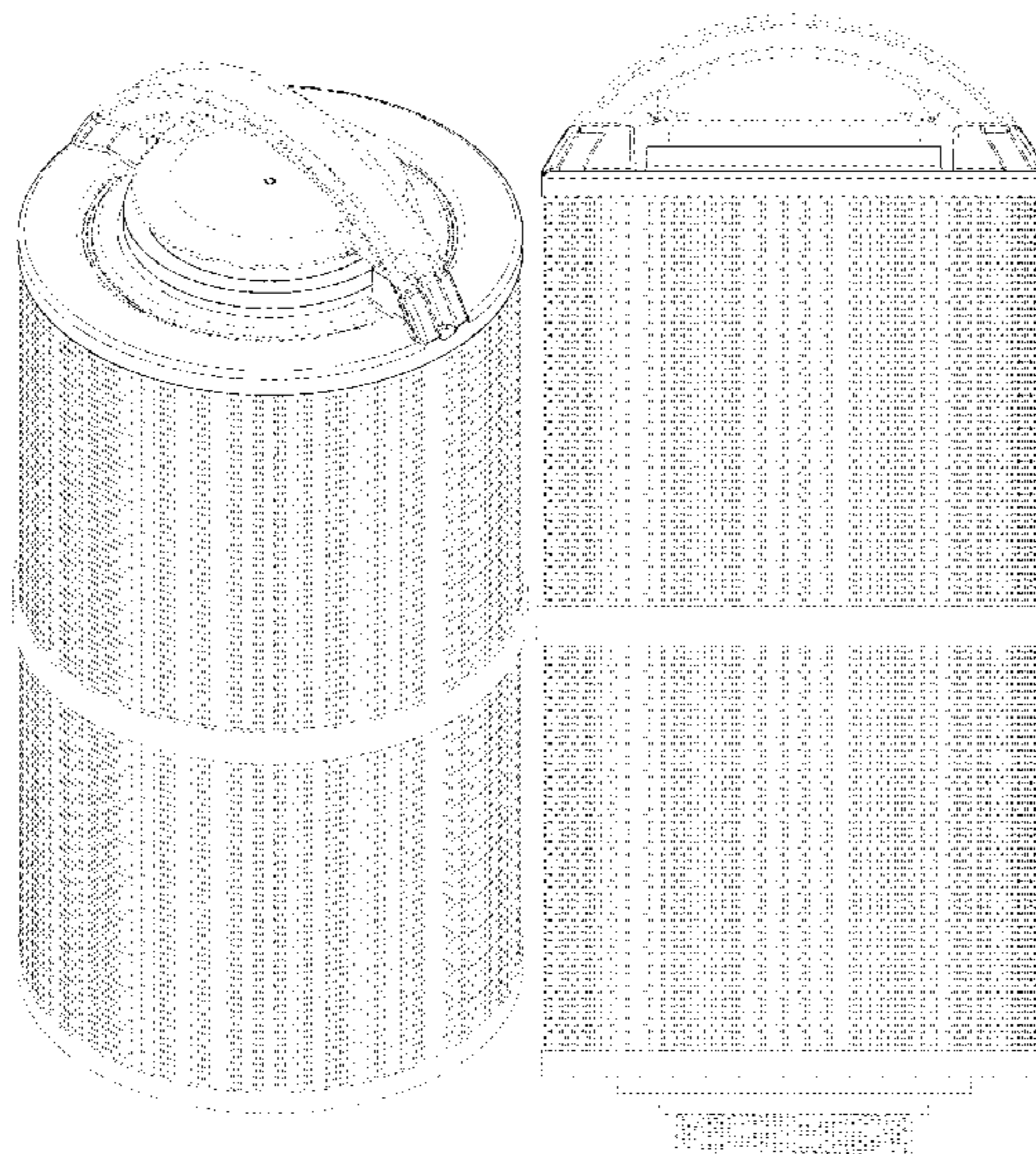
FIG. 16 is a right elevational view thereof;

FIG. 17 is a top plan view thereof; and,

FIG. 18 is a bottom plan view thereof.

The broken lines shown in the drawings depict portions of the outer filter element that form no part of the claimed design and portions showing the inner filter element that form no part of the claimed design.

1 Claim, 16 Drawing Sheets



Related U.S. Application Data

continuation of application No. 29/668,453, filed on Oct. 30, 2018, now Pat. No. Des. 855,755, which is a division of application No. 29/581,857, filed on Oct. 22, 2016, now Pat. No. Des. 835,233.

- (58) **Field of Classification Search**
 CPC B01D 35/30; B01D 35/153; B01D 35/157;
 B01D 27/00; B01D 27/08
 See application file for complete search history.

(56) **References Cited**

U.S. PATENT DOCUMENTS

3,348,689	A	10/1967	Kraissl, Jr.
D246,109	S	10/1977	Rosaen
D294,167	S	2/1988	Meissner
D305,199	S	12/1989	Jackson
D306,199	S	2/1990	Meissner
D306,640	S	3/1990	Kott
D318,091	S	7/1991	Sherman
D318,094	S	7/1991	Sherman
D320,062	S	9/1991	Meissner
5,135,654	A	8/1992	Heskett
5,198,118	A	3/1993	Heskett
5,211,846	A	5/1993	Kott et al.
5,314,623	A	5/1994	Heskett
D402,735	S	12/1998	Kott
D403,740	S	1/1999	Kott
D412,551	S	8/1999	Smith et al.
D414,544	S	9/1999	Ward et al.
D470,216	S	2/2003	Gustafson et al.
D475,129	S	5/2003	Ward et al.
6,962,660	B2	11/2005	Wybo
D521,137	S	5/2006	Khalil
D548,307	S	8/2007	Reynolds et al.
D560,751	S	1/2008	Miller et al.
7,416,663	B2	8/2008	Kott et al.
7,874,431	B2 *	1/2011	Eisengraeber-Pabst
			B01D 29/21
			210/493.1
D648,822	S	11/2011	Salvador et al.
D656,577	S	3/2012	Salvador et al.
D717,395	S	11/2014	Neto
D717,420	S	11/2014	Von Seggern
D726,869	S	4/2015	Lepine et al.
D729,344	S	5/2015	Colussi
D730,731	S	6/2015	Bewley et al.
D735,293	S	7/2015	Schwartz et al.
D751,170	S	3/2016	Ruprecht
D753,739	S	4/2016	Bell
D753,789	S	4/2016	Raab et al.
D754,304	S	4/2016	Morris et al.
D770,011	S	10/2016	Nelson
D770,592	S	11/2016	Schwartz et al.
D773,014	S	11/2016	Pale
D782,000	S	3/2017	Morris et al.
D793,525	S	8/2017	Morris et al.
D810,232	S	2/2018	Schwartz et al.
D810,859	S	2/2018	Lu et al.
D825,029	S	8/2018	Goldman
D827,086	S	8/2018	Bell et al.

D835,233	S	12/2018	Coelho et al.
D844,103	S	3/2019	Yoshita
D852,319	S	6/2019	Hellman et al.
D854,650	S	7/2019	Hellman et al.
D855,755	S	8/2019	Coelho et al.
D880,656	S	4/2020	Coelho et al.
D881,339	S	4/2020	Coelho et al.
D882,038	S *	4/2020	Loepfe D23/209
10,612,258	B2	4/2020	Coelho et al.
2004/0124129	A1	7/2004	Booth
2007/0241045	A1	10/2007	Kott et al.
2010/0243554	A1	9/2010	Herrin et al.
2011/0147297	A1	6/2011	Core et al.
2011/0168647	A1	7/2011	Wieczorek et al.
2012/0080372	A1	4/2012	Ries et al.
2017/0028326	A1	2/2017	Till et al.
2017/0326482	A1	11/2017	Prchal et al.
2018/0028950	A1	2/2018	Heilman et al.
2018/0112429	A1	4/2018	Coelho et al.
2018/0117517	A1 *	5/2018	Tanaka B01D 46/2414
2018/0264382	A1	9/2018	Dani et al.
2019/0054410	A1	2/2019	Tanaka

OTHER PUBLICATIONS

Ex Parte Quayle Action received for U.S. Appl. No. 29/668,463, dated Aug. 20, 2019.
 "Restriction Office Action" dated Dec. 27, 2017 in Design U.S. Appl. No. 29/581,857.
 Final Rejection received for U.S. Appl. No. 15/791,206, dated Apr. 24, 2019, 12 pages.
 Nathan Coelho et al., Unpublished US application filed Oct. 30, 2018, U.S. Appl. No. 29/668,463.
 Nathan Coelho et al., Unpublished US patent application filed Oct. 30, 2018, U.S. Appl. No. 29/668,453.
 Non-Final Rejection received for U.S. Appl. No. 15/791,206, dated Nov. 26, 2018, 12 pages.
 Notice of Allowance and Fees Due (PTOL-85) dated Aug. 3, 2018 for U.S. Appl. No. 29/581,857.
 Notice of Allowance and Fees Due (PTOL-85) dated Aug. 7, 2020 for U.S. Appl. No. 29/725,920.
 Notice of Allowance and Fees Due (PTOL-85) dated Jul. 18, 2018 for U.S. Appl. No. 29/581,857.
 Notice of Allowance and Fees Due (PTOL-85) received for U.S. Appl. No. 29/668,453, dated Mar. 7, 2019, 7 pages.
 Notice of Allowance received for U.S. Appl. No. 15/791,206, dated Aug. 6, 2019, 10 pages.
 Notice of Allowance received for U.S. Appl. No. 15/791,206, dated Nov. 18, 2019, 9 pages.
 Notice of Allowance received for U.S. Appl. No. 29/581,857, dated Aug. 3, 2018.
 Notice of Allowance received for U.S. Appl. No. 29/668,463, dated Nov. 27, 2019.
 Notice of Allowance received for U.S. Appl. No. 29/700,712, dated Dec. 11, 2019.
 Requirement for Restriction/Election dated Dec. 27, 2017 for U.S. Appl. No. 29/581,857.
 Requirement for Restriction/Election received for U.S. Appl. No. 29/668,463, dated Apr. 26, 2019, 6 pages.

* cited by examiner

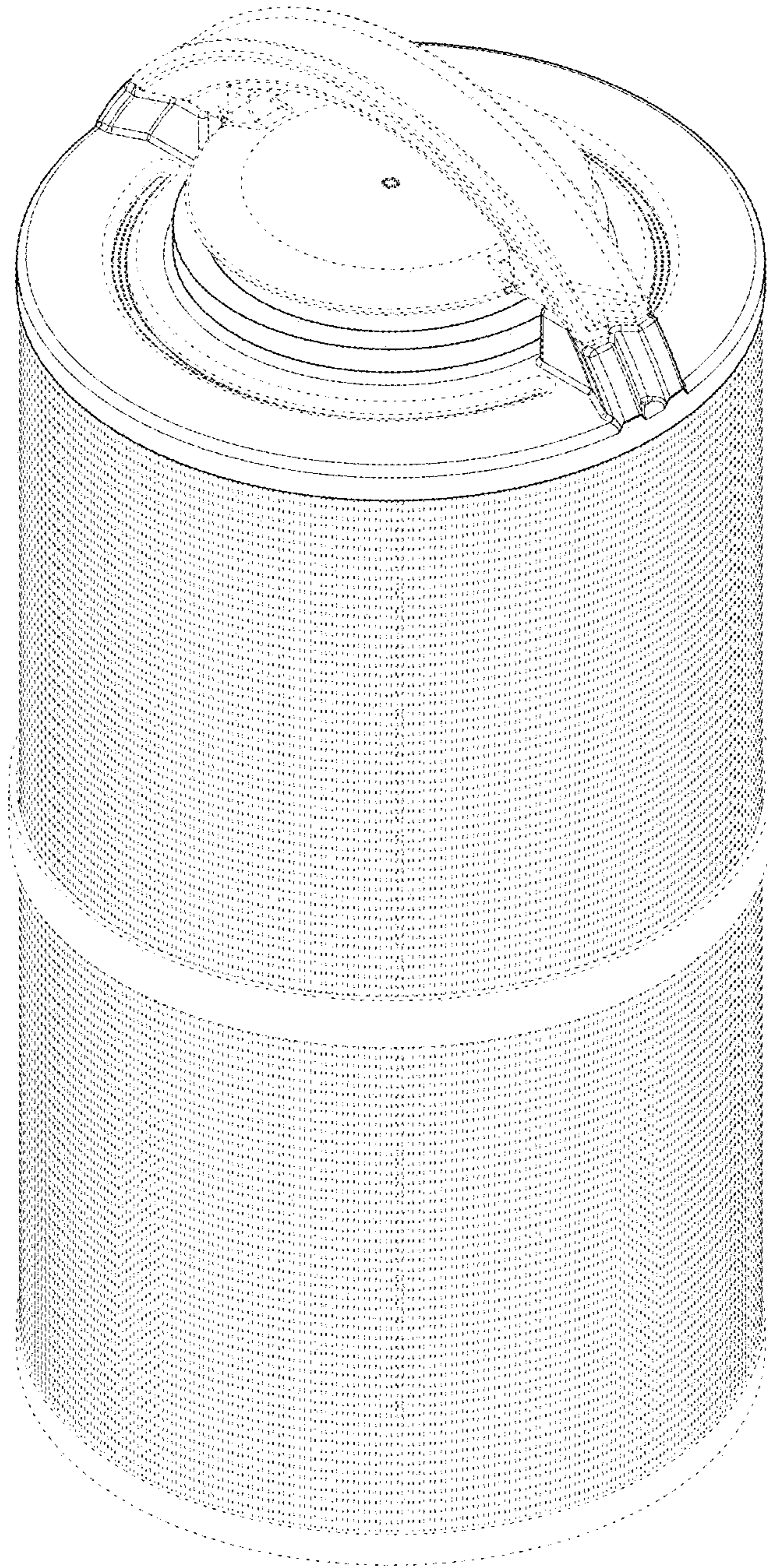


FIG. 1

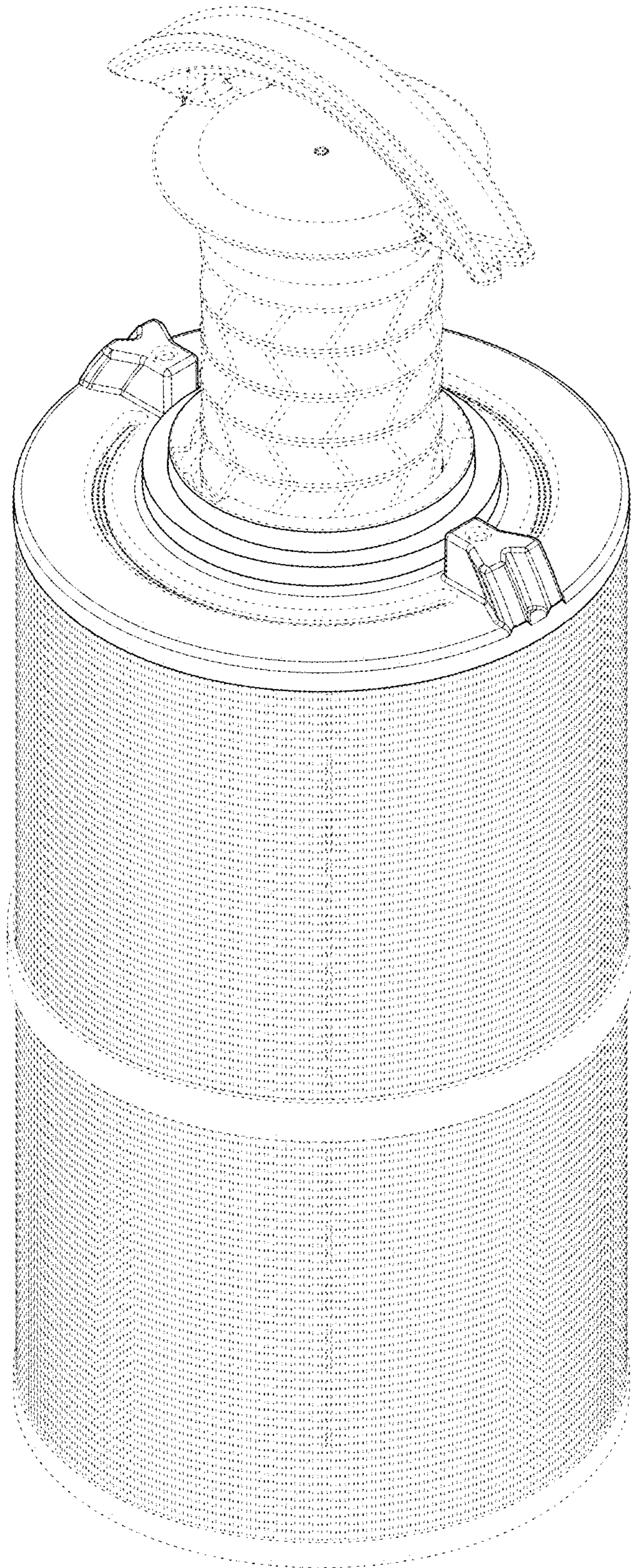


FIG. 2

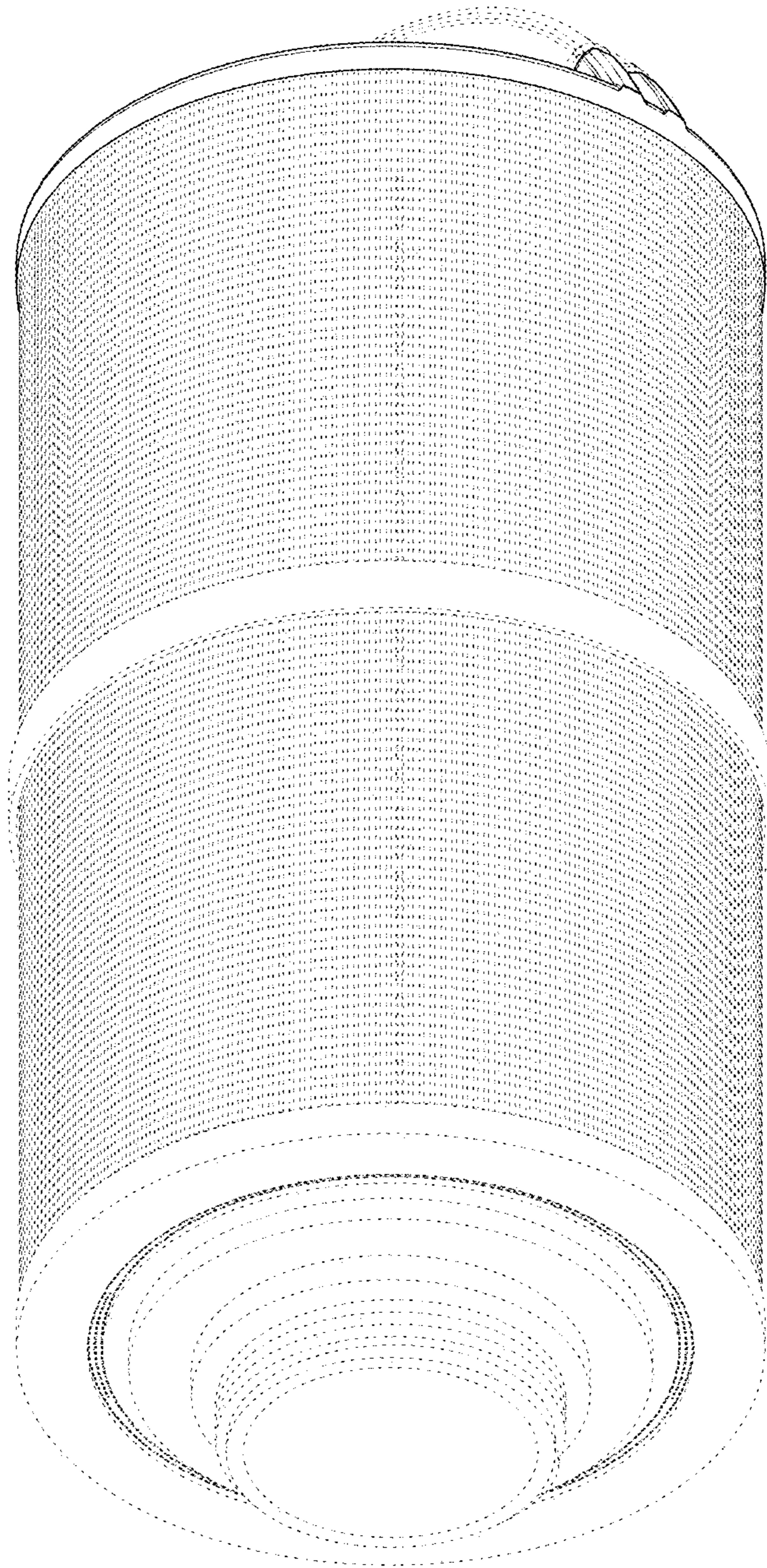


FIG. 3

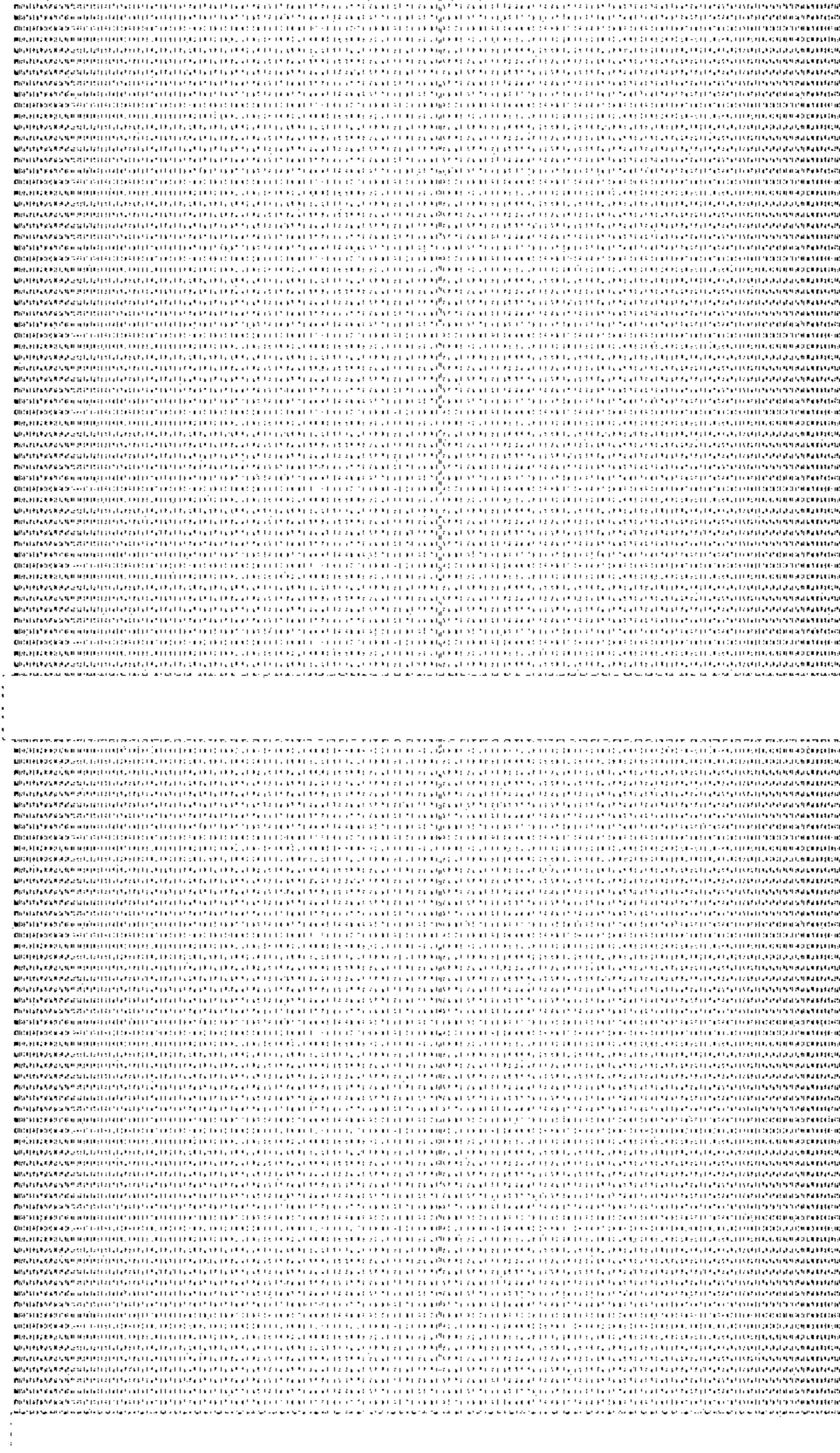
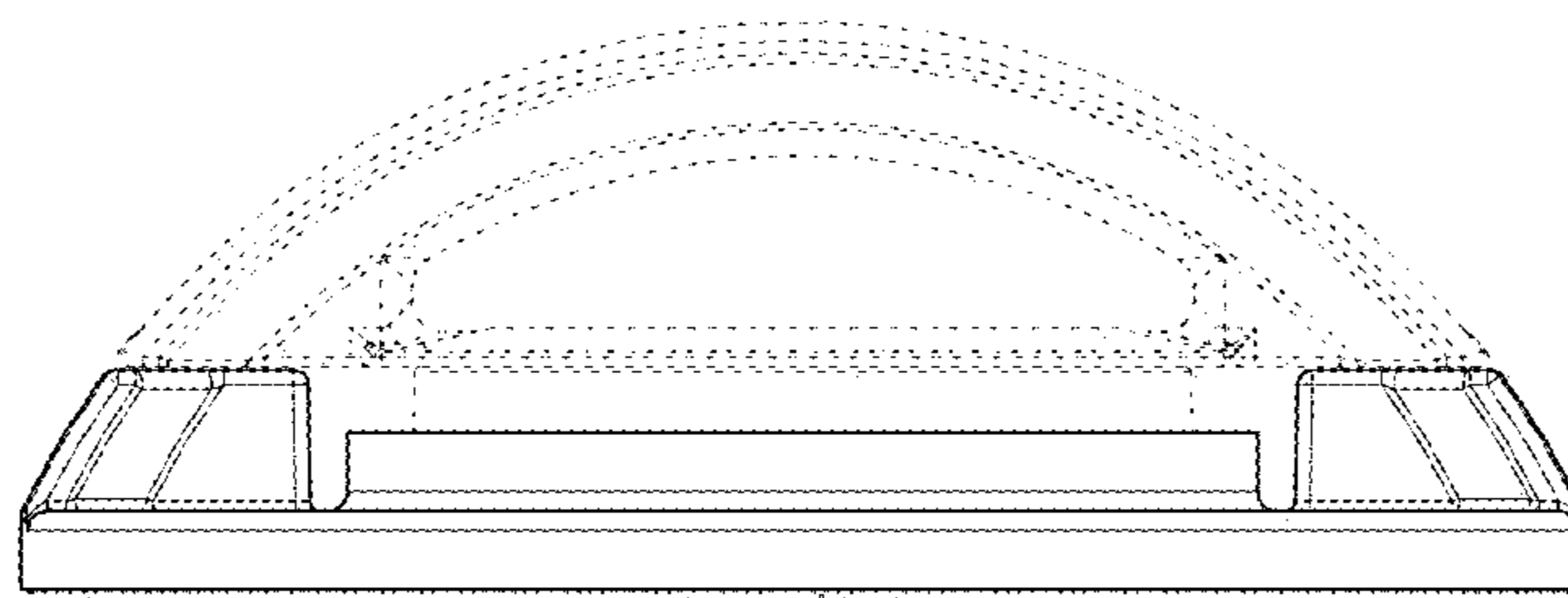


FIG. 4

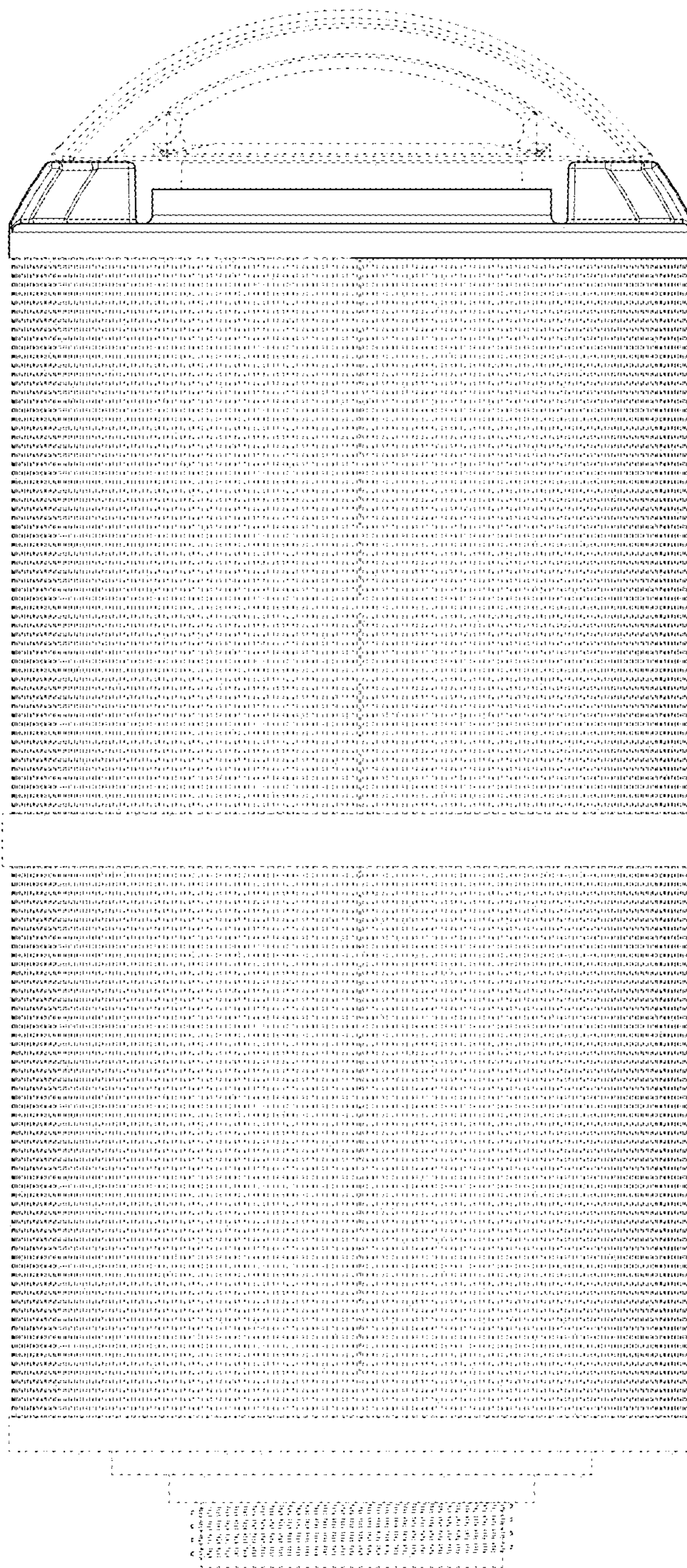


FIG. 5

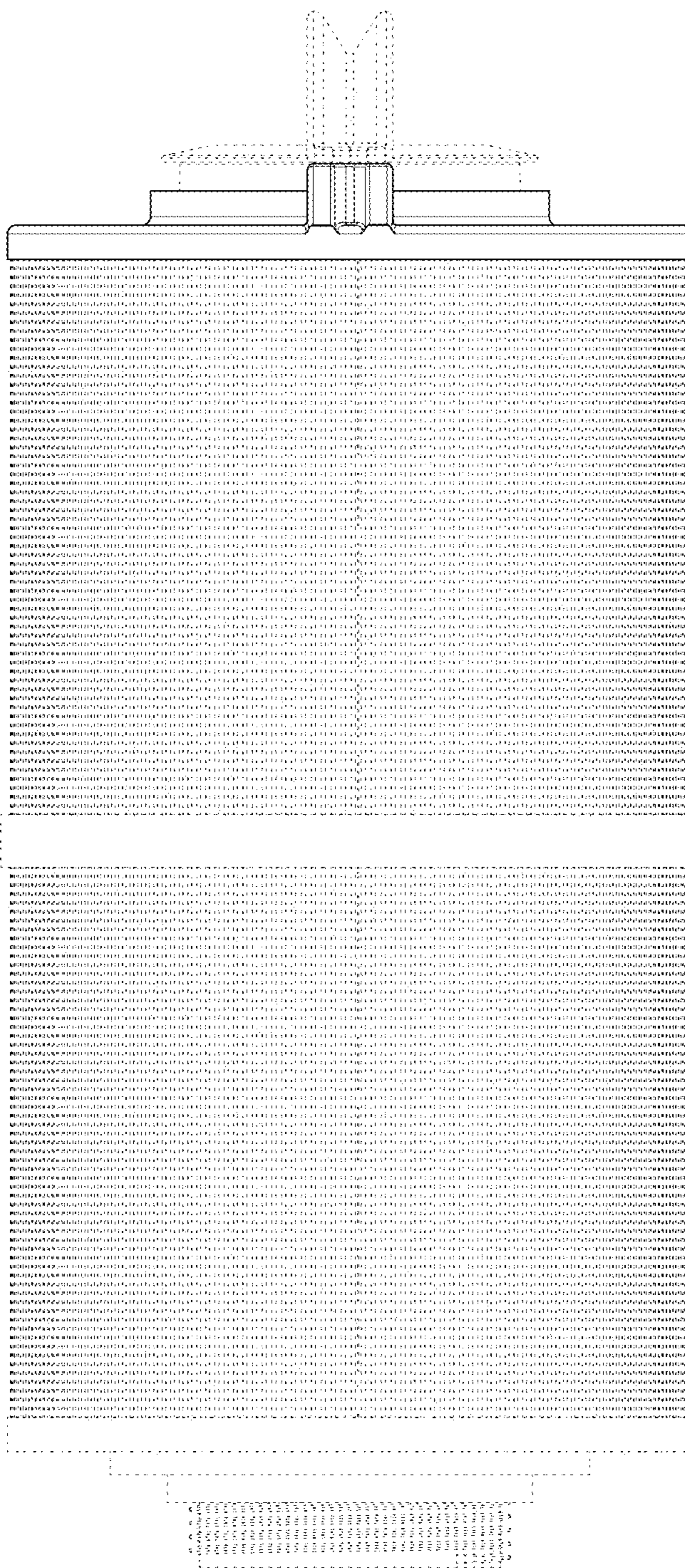


FIG. 6

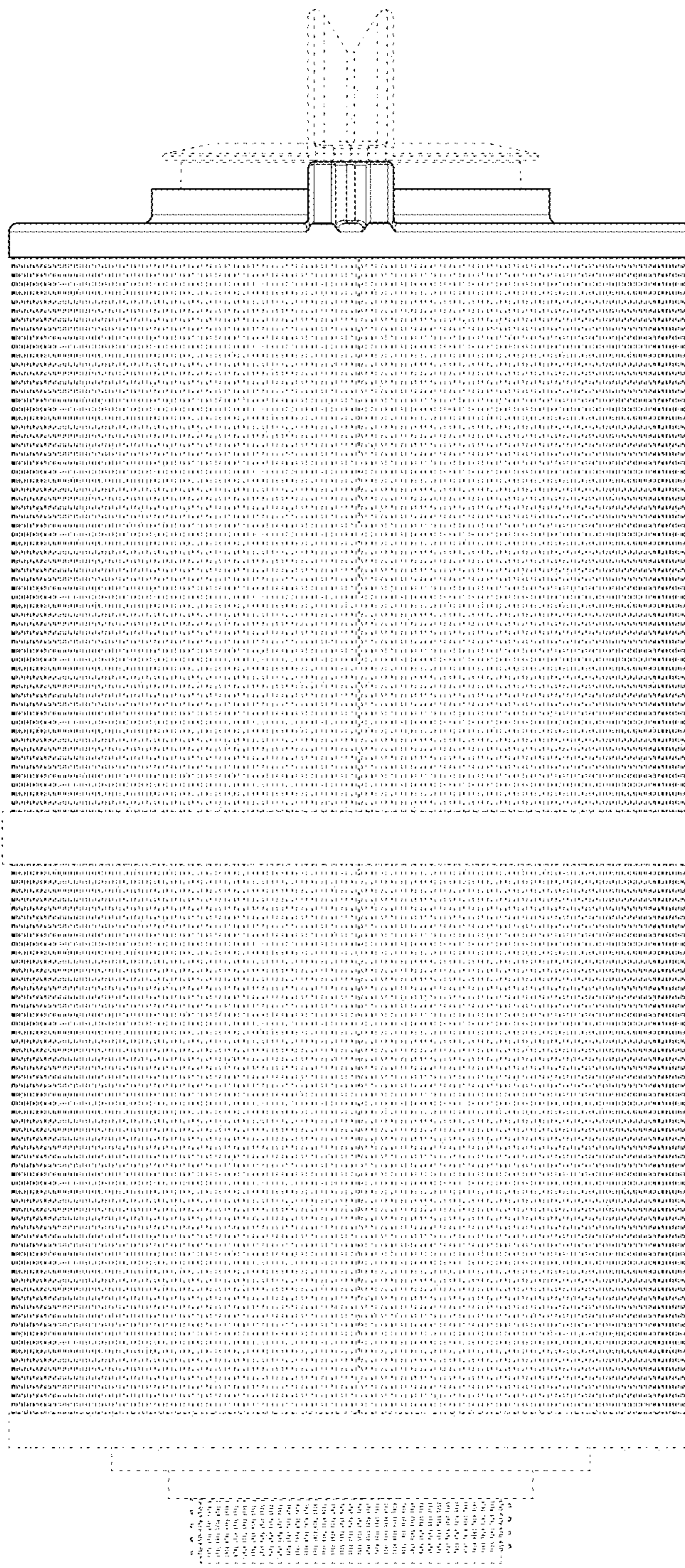


FIG. 7

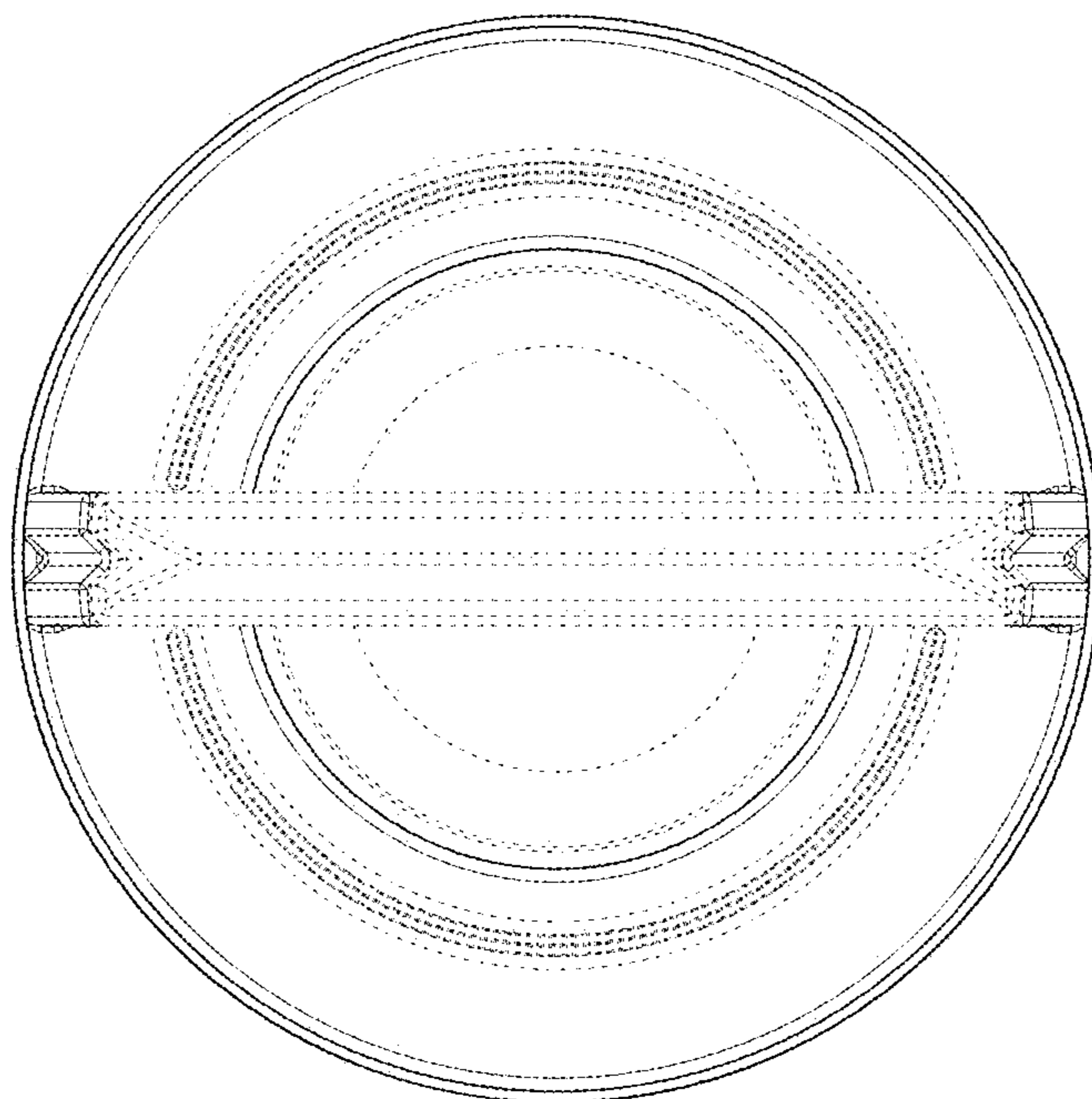


FIG. 8

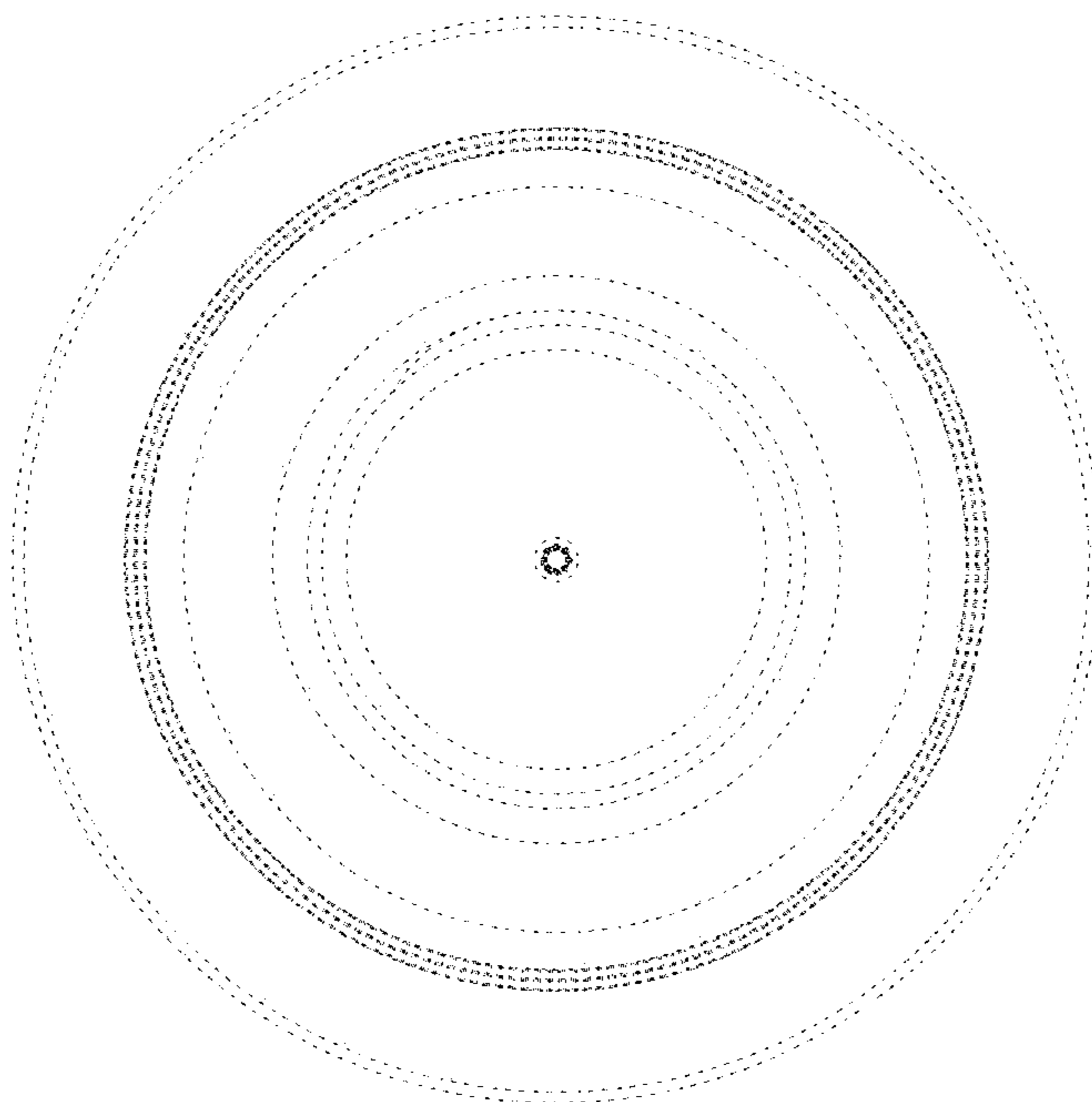


FIG. 9

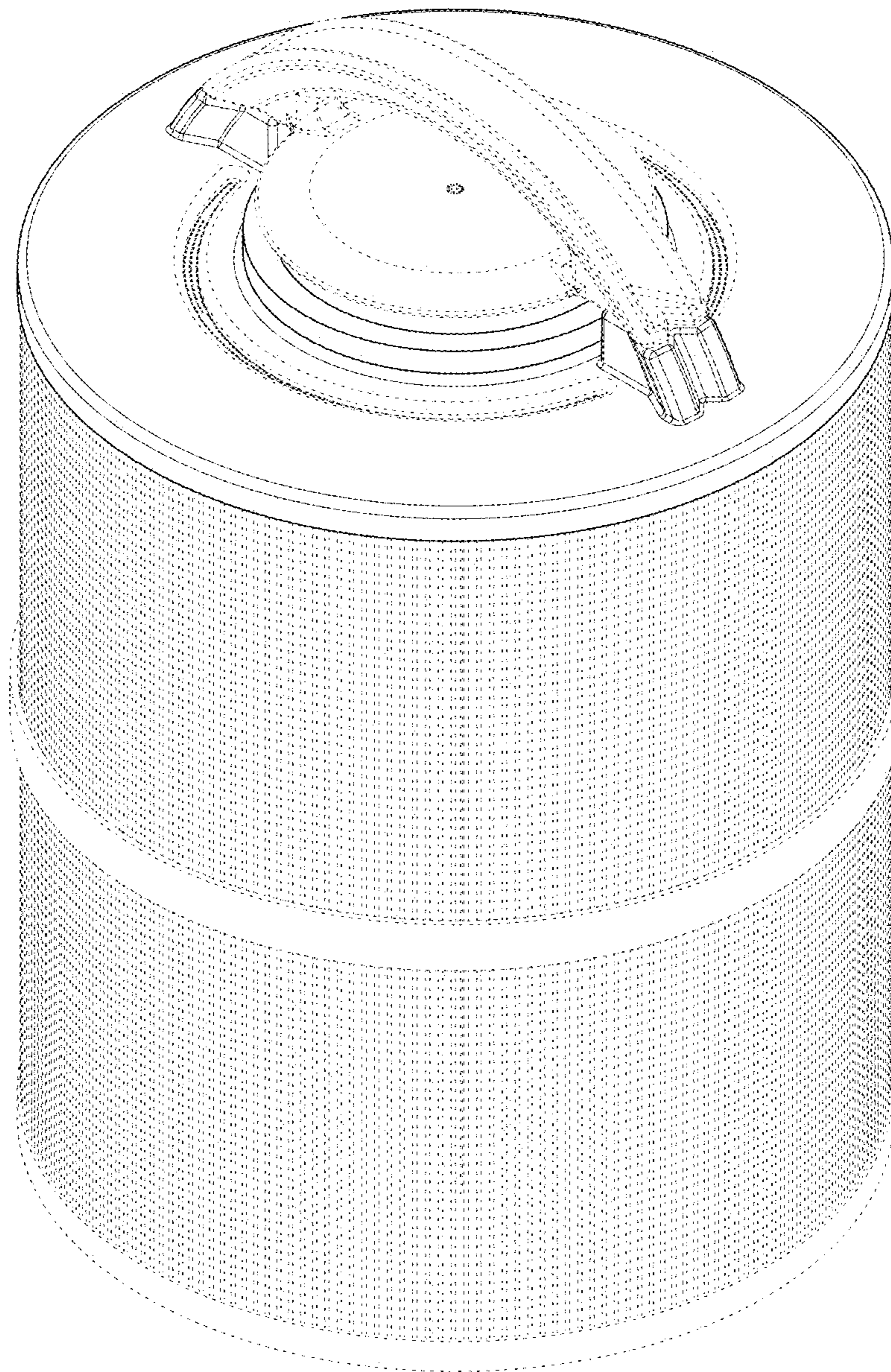


FIG. 10

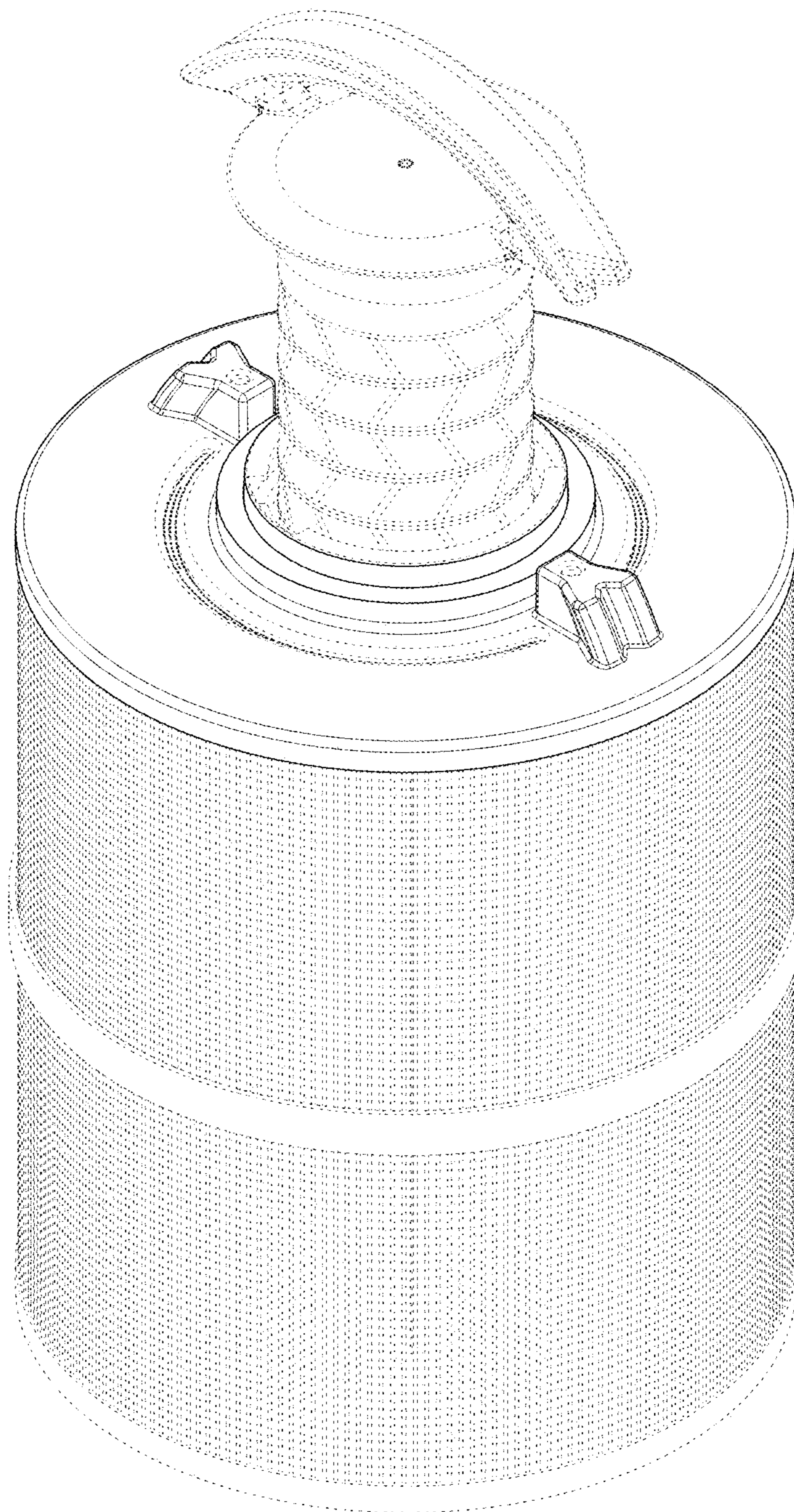


FIG. 11

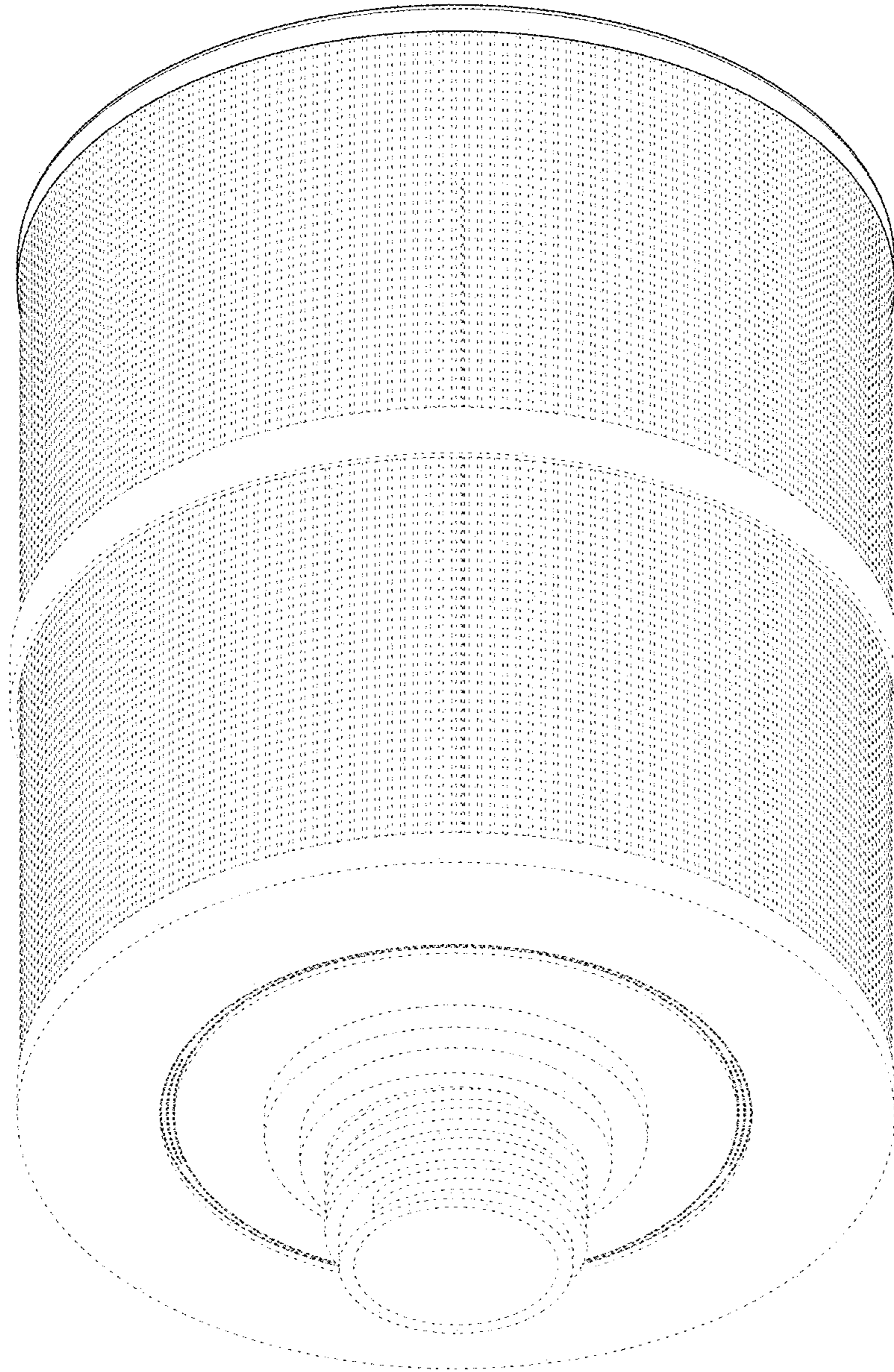


FIG. 12

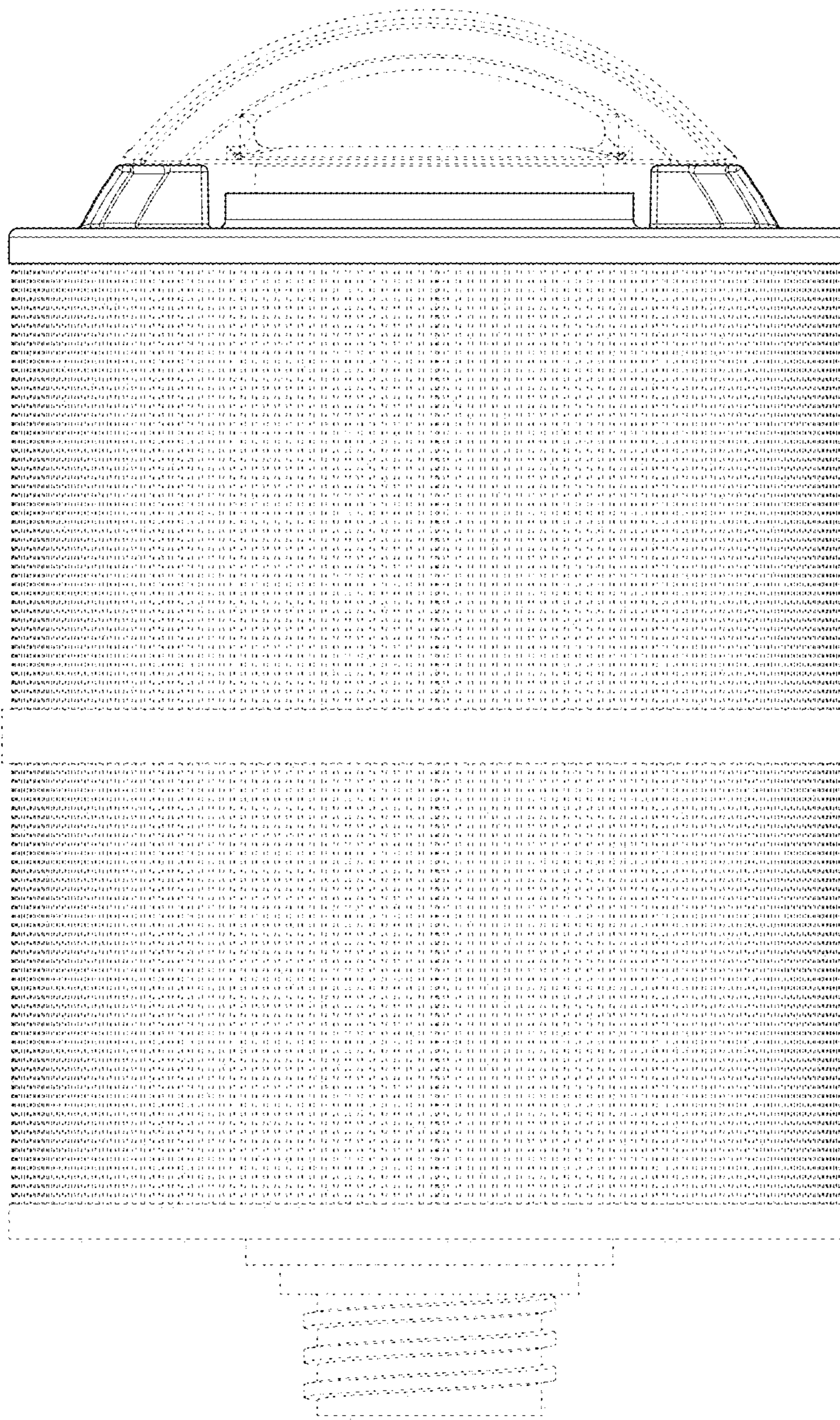


FIG. 13

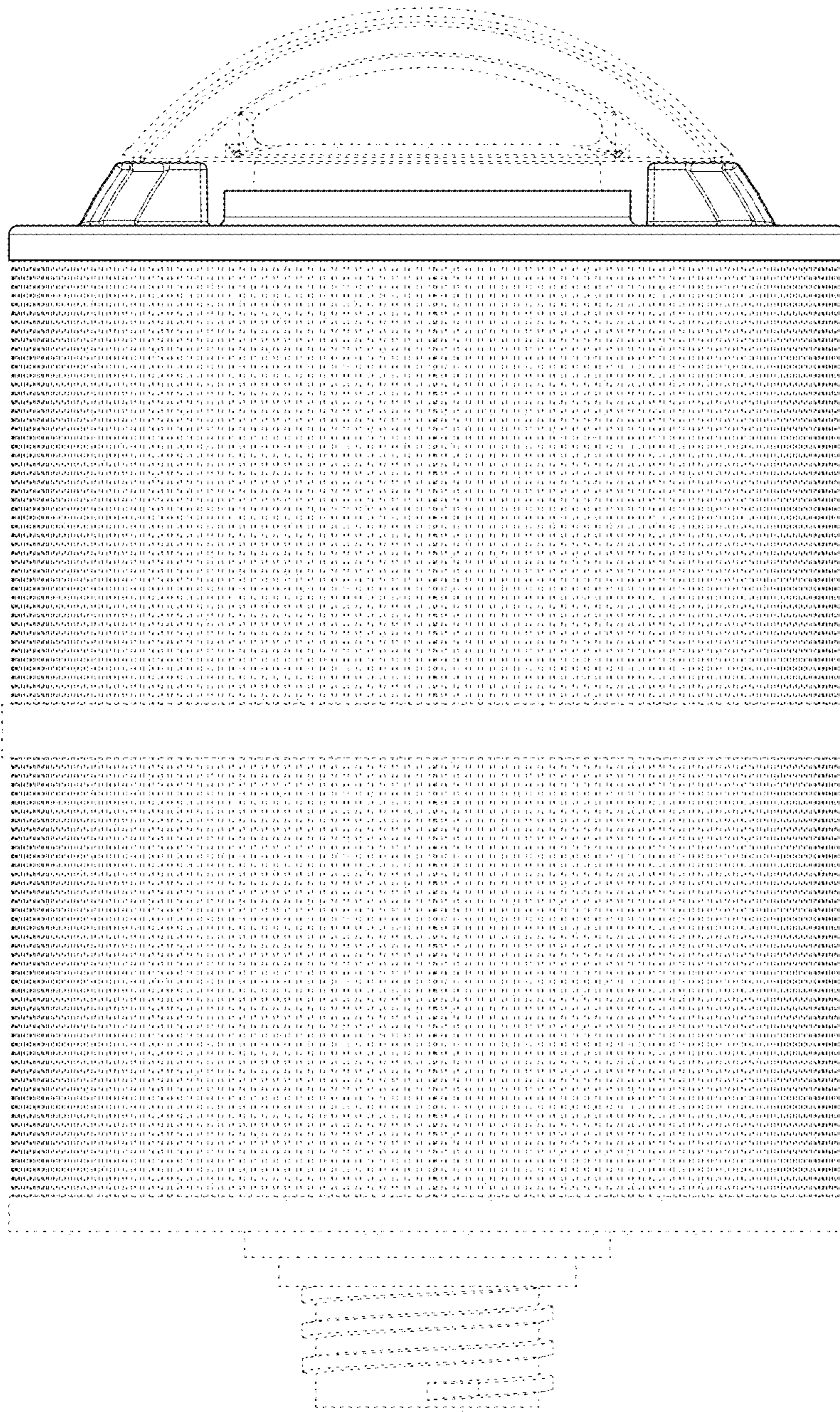


FIG. 14

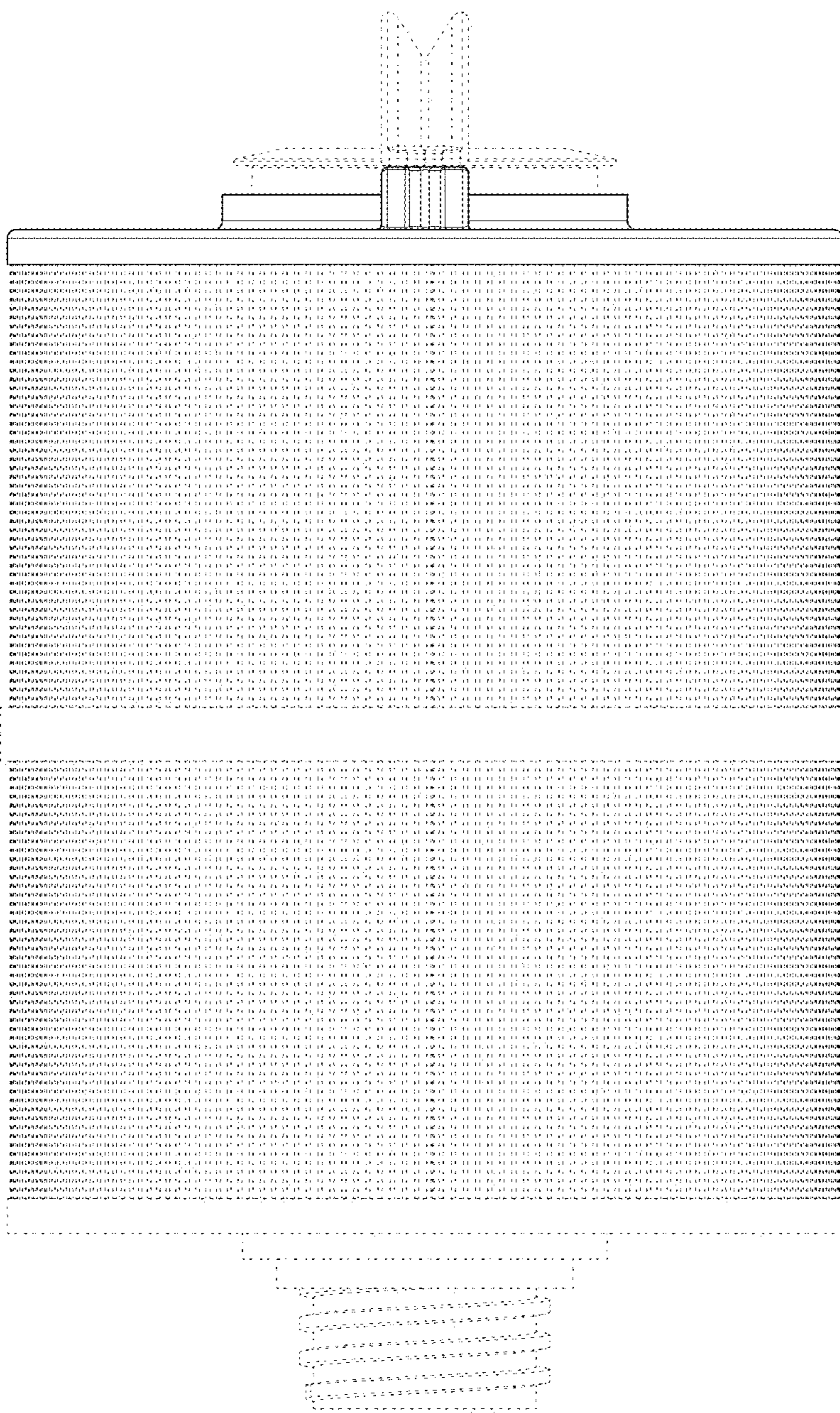


FIG. 15

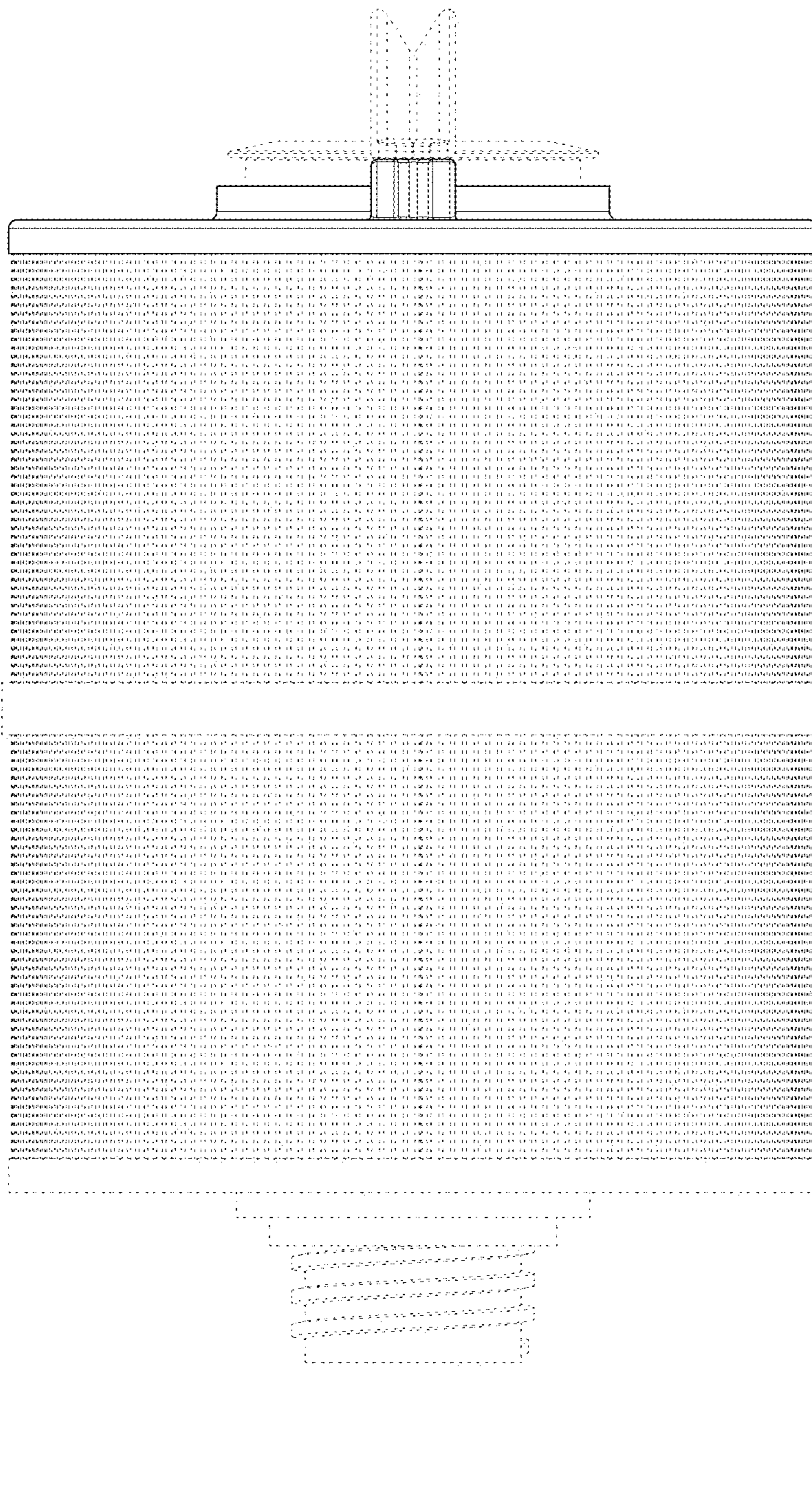


FIG. 16

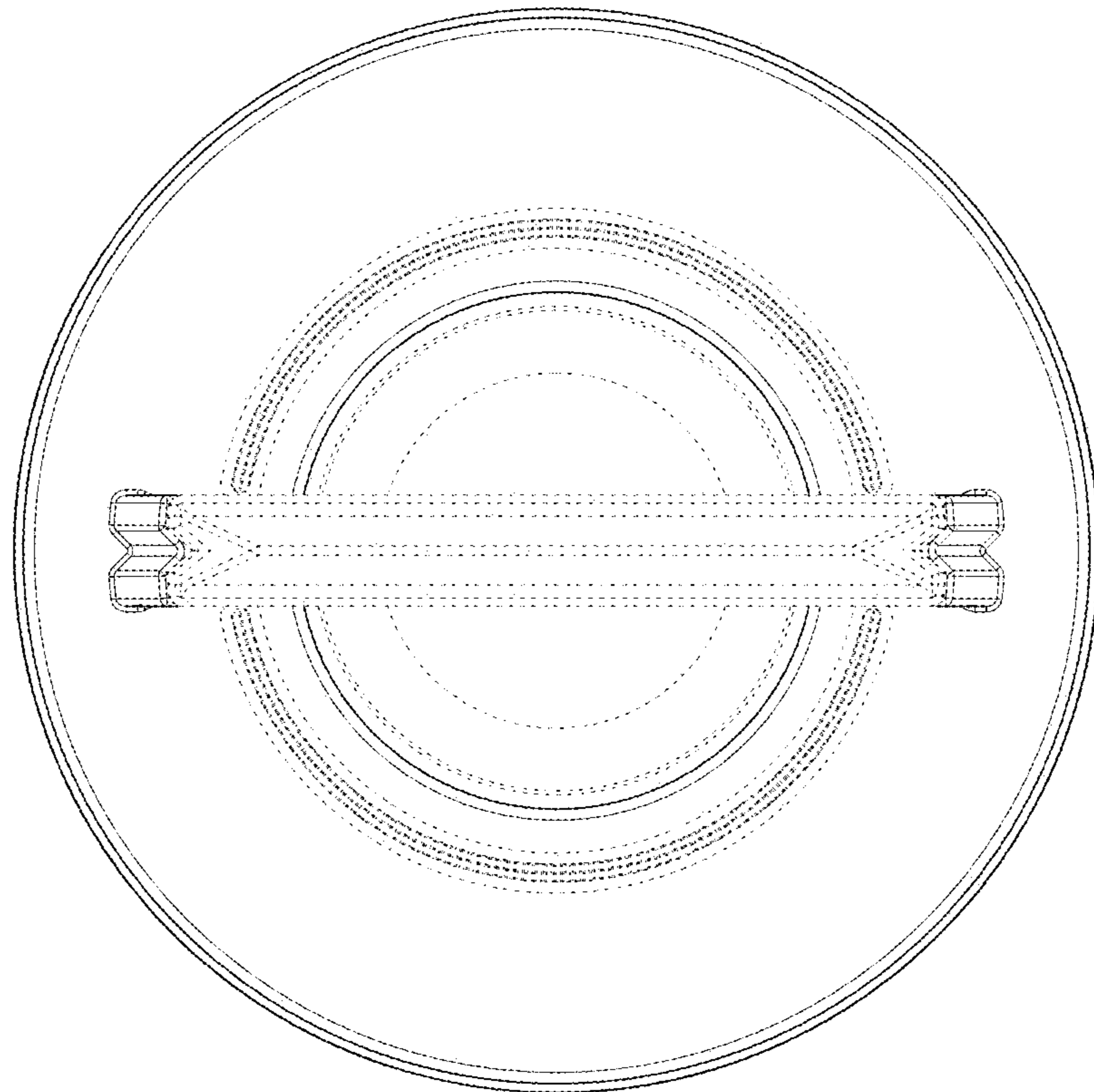


FIG. 17

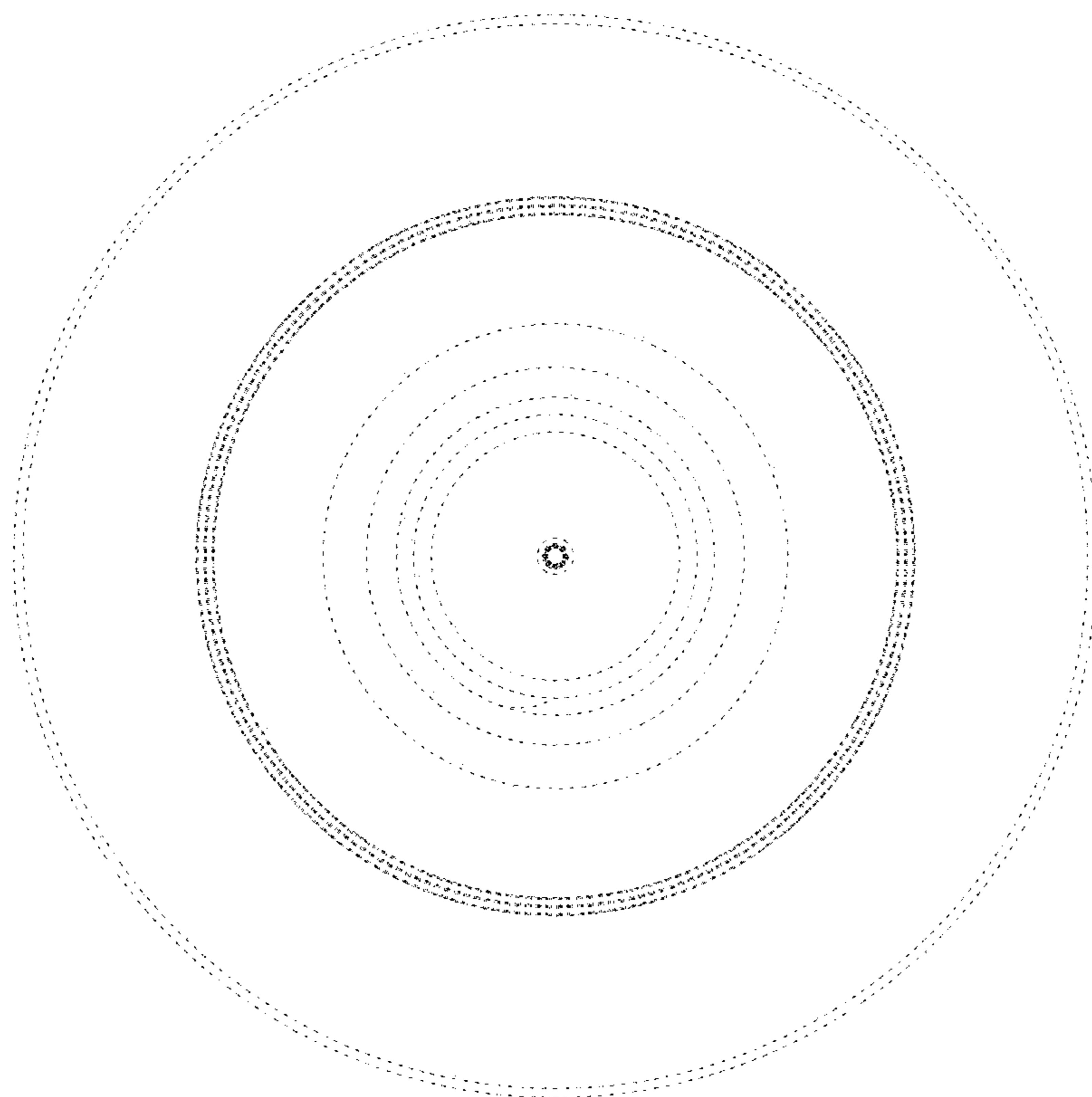


FIG. 18