



US00D916237S

(12) **United States Design Patent** (10) **Patent No.:** **US D916,237 S**
Bos (45) **Date of Patent:** **** Apr. 13, 2021**

(54) **LAVATORY TREATMENT DEVICE**
(71) Applicant: **Reckitt & Colman (Overseas)**
Hygiene Home Limited, Slough (GB)
(72) Inventor: **Randy Franciscus Jozef Bos,**
Eindhoven (NL)
(73) Assignee: **Reckitt & Colman (Overseas)**
Hygiene Home Limited, Slough (GB)

(**) Term: **15 Years**

(21) Appl. No.: **29/704,767**

(22) Filed: **Sep. 6, 2019**

(30) **Foreign Application Priority Data**

Aug. 14, 2019 (EP) 006723110-0001

(51) **LOC (13) Cl.** **23-01**

(52) **U.S. Cl.**
USPC **D23/208**

(58) **Field of Classification Search**
USPC D23/207, 208, 367, 368; D21/599, 808
CPC E03D 9/02; E03D 9/03; E03D 9/032
See application file for complete search history.

(56) **References Cited**

U.S. PATENT DOCUMENTS

D381,444 S *	7/1997	Yuen	D22/123
D422,350 S *	4/2000	Wu	D23/366
D481,115 S *	10/2003	Wu	D23/367
D597,648 S *	8/2009	Heflin, III	D23/367
D604,826 S *	11/2009	Lesniak	D23/367
D614,279 S *	4/2010	Lesniak	D23/367
D632,379 S *	2/2011	Perman	D23/367
D772,378 S *	11/2016	Gerhards	D23/208
D790,034 S *	6/2017	Gerhards	D23/208
D790,035 S *	6/2017	Gerhards	D23/208
D790,038 S *	6/2017	Gerhards	D23/208
D791,273 S *	7/2017	Gerhards	D23/208

D791,274 S *	7/2017	Gerhards	D23/208
D791,910 S *	7/2017	Gerhards	D23/208
D827,803 S *	9/2018	Fox	D23/367
D834,170 S *	11/2018	Gobber	D23/367
D856,471 S *	8/2019	Muller	D23/208
D868,953 S *	12/2019	McKendree	D23/366
2005/0014668 A1 *	1/2005	Bariou	E03D 9/032 510/191
2007/0204387 A1 *	9/2007	Cornelius	A61L 9/12 4/223
2008/0086801 A1 *	4/2008	Virica	E03D 9/007 4/227.4

(Continued)

OTHER PUBLICATIONS

“Harpic Hygienic Toilet Rim Block Twin Pack—Anti Limescale, Pack of 6” Mar. 13, 2013, Amazon, site visited Feb. 22, 2021: <https://www.amazon.co.uk/dp/B00BV4UPWW/> (Year: 2013).*

(Continued)

Primary Examiner — Jack Reickel
Assistant Examiner — Bobby W Jones, II
(74) *Attorney, Agent, or Firm* — Norris McLaughlin PA

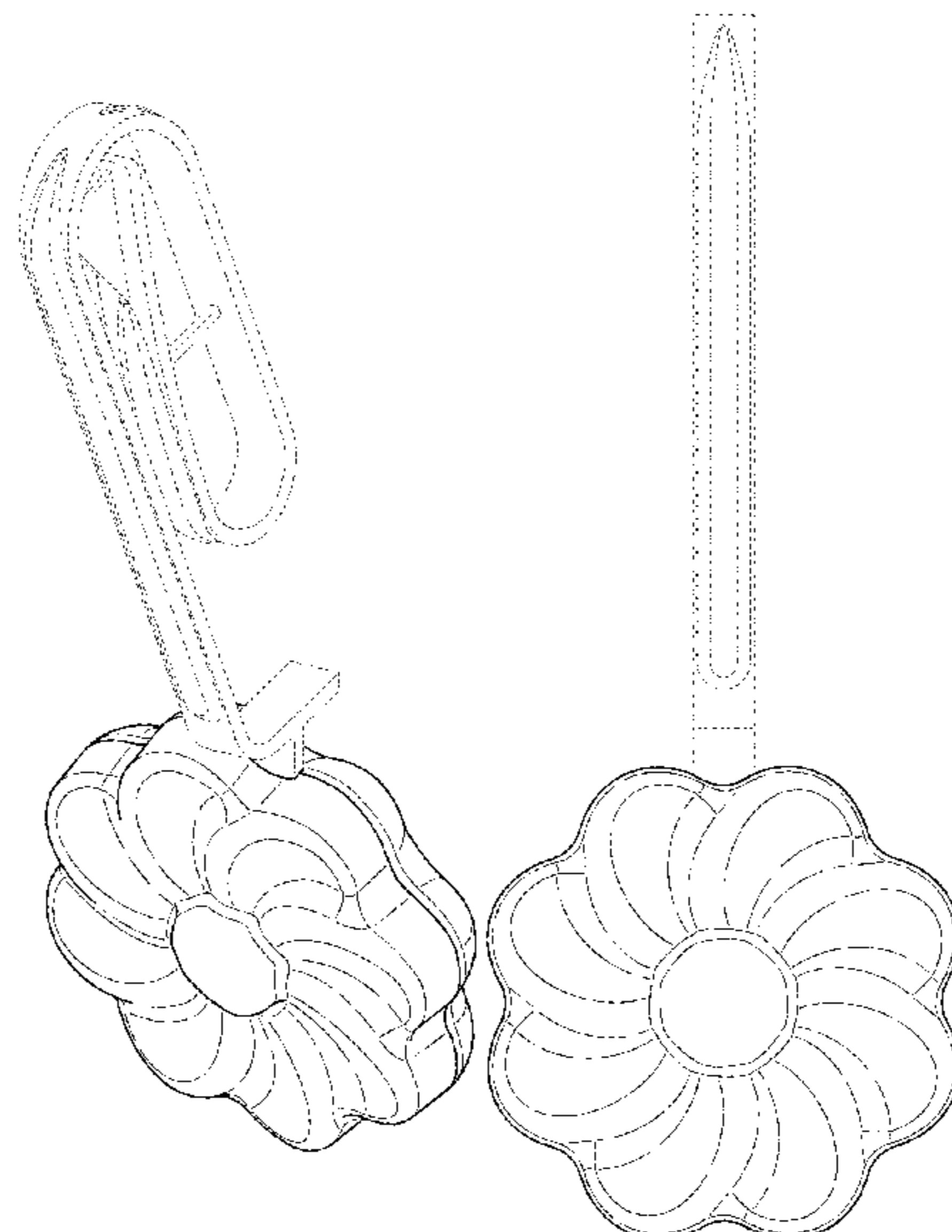
(57) **CLAIM**

The ornamental design for a lavatory treatment device, as shown as described.

DESCRIPTION

FIG. 1 is a front and side perspective view of a lavatory treatment device; and,
FIG. 2 is a front side elevational view thereof;
FIG. 3 is a rear side elevational view thereof;
FIG. 4 is a left side elevational view thereof;
FIG. 5 is a right side elevational view thereof;
FIG. 6 is a top plan view thereof; and,
FIG. 7 is a bottom plan view thereof.
The portions of the depicted designs indicated in broken lines form no part of the claimed designs.

1 Claim, 5 Drawing Sheets



(56)

References Cited

U.S. PATENT DOCUMENTS

2009/0235443 A1* 9/2009 Arora C11D 17/0056
4/231
2012/0047640 A1* 3/2012 Warkotsch E03D 9/032
4/223
2013/0104304 A1* 5/2013 Wilson E03D 9/032
4/231
2015/0167282 A1* 6/2015 Lehmann E03D 9/032
4/231
2017/0247869 A1* 8/2017 Soller C11D 17/0056

OTHER PUBLICATIONS

“Silicone Flower Soap Making Tray” Jan. 31, 2018, Amazon, site visited Feb. 25, 2021: <https://www.amazon.ca/dp/B079DND5S1/> (Year: 2018).*

“Daisy Flower Air Freshener” Oct. 23, 2017, Amazon, site visited Feb. 25, 2021: <https://www.amazon.com/dp/B076Q641N2/> (Year: 2017).*

* cited by examiner

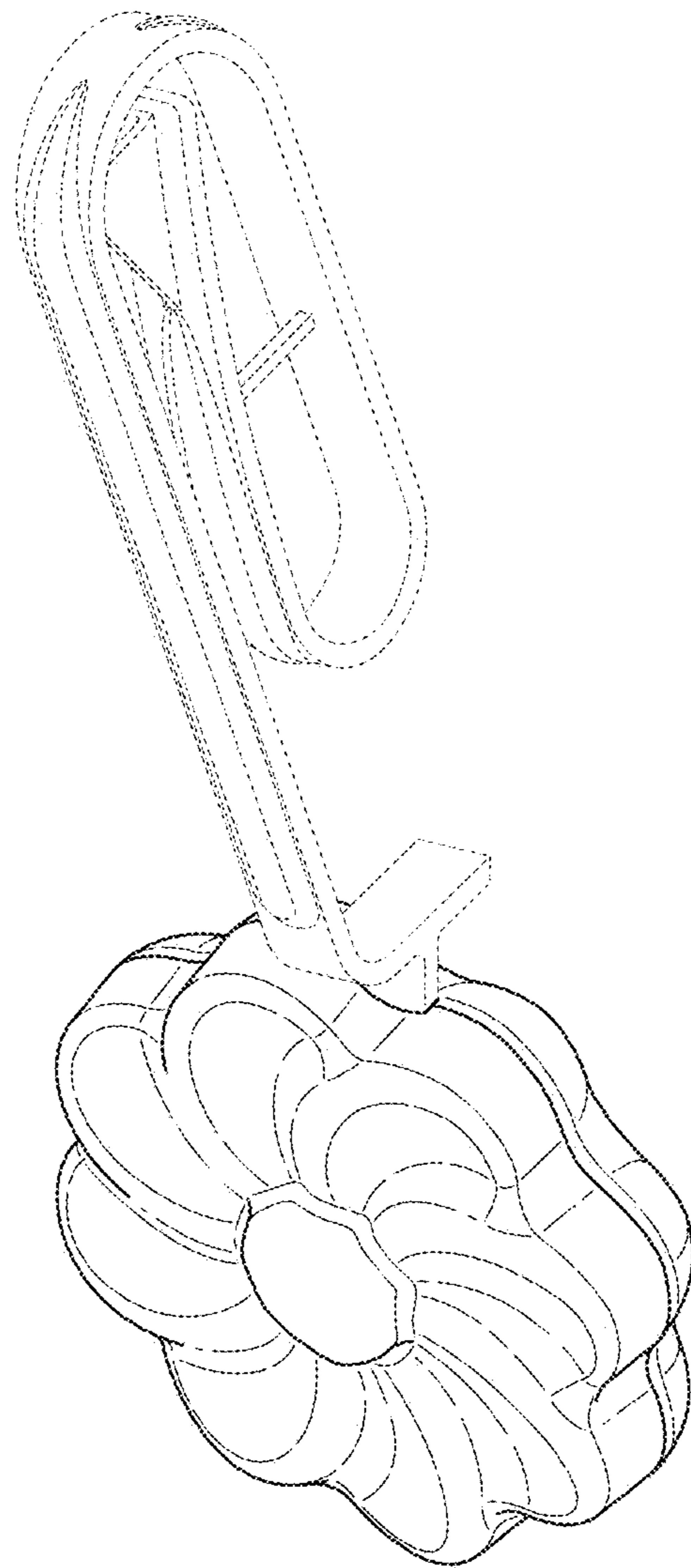


Fig. 1

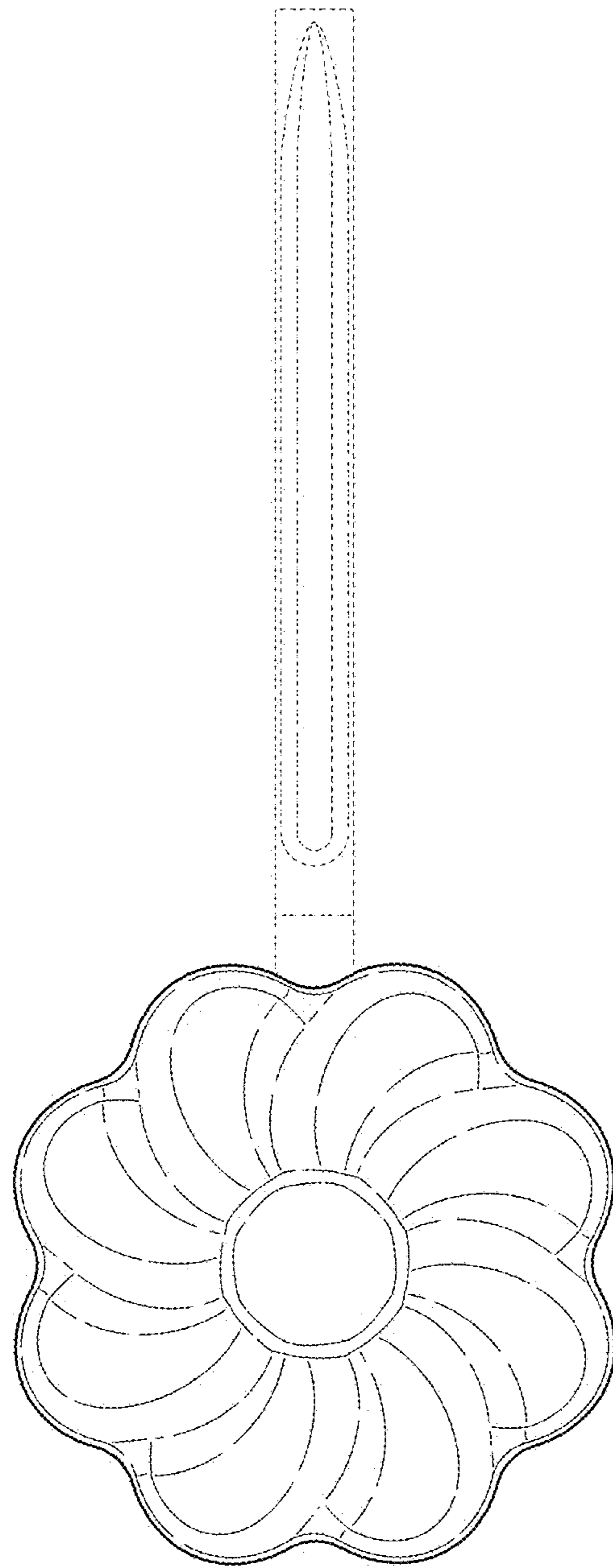


Fig. 2

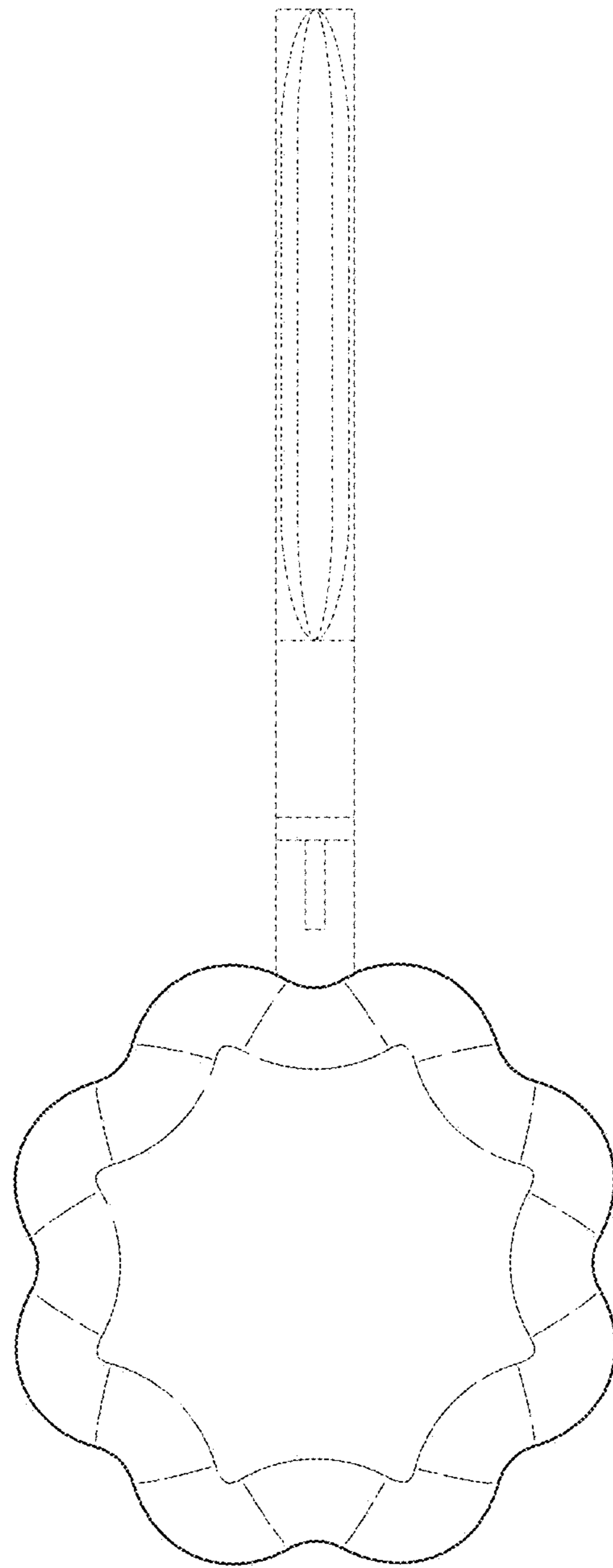


Fig. 3

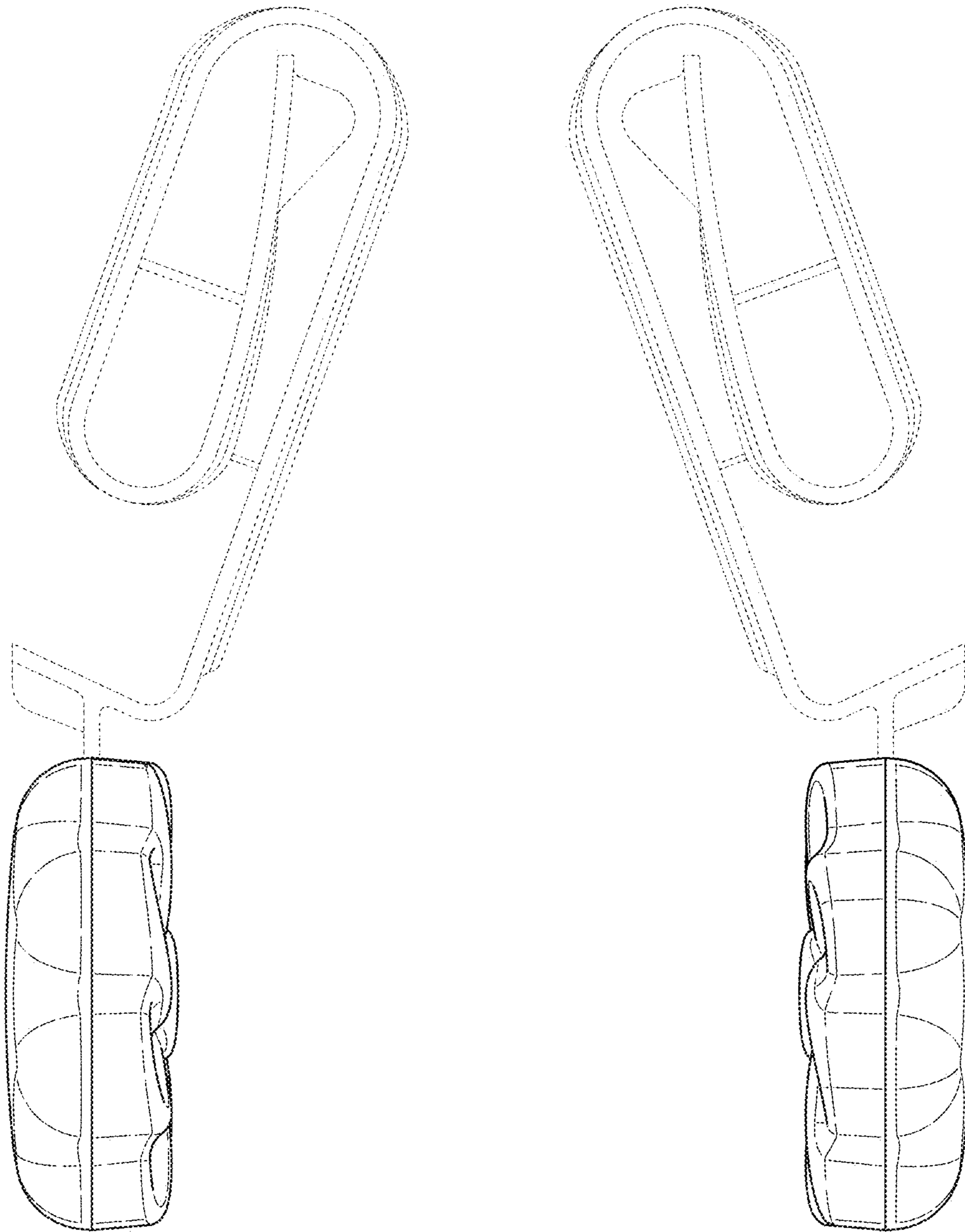


Fig. 4

Fig. 5

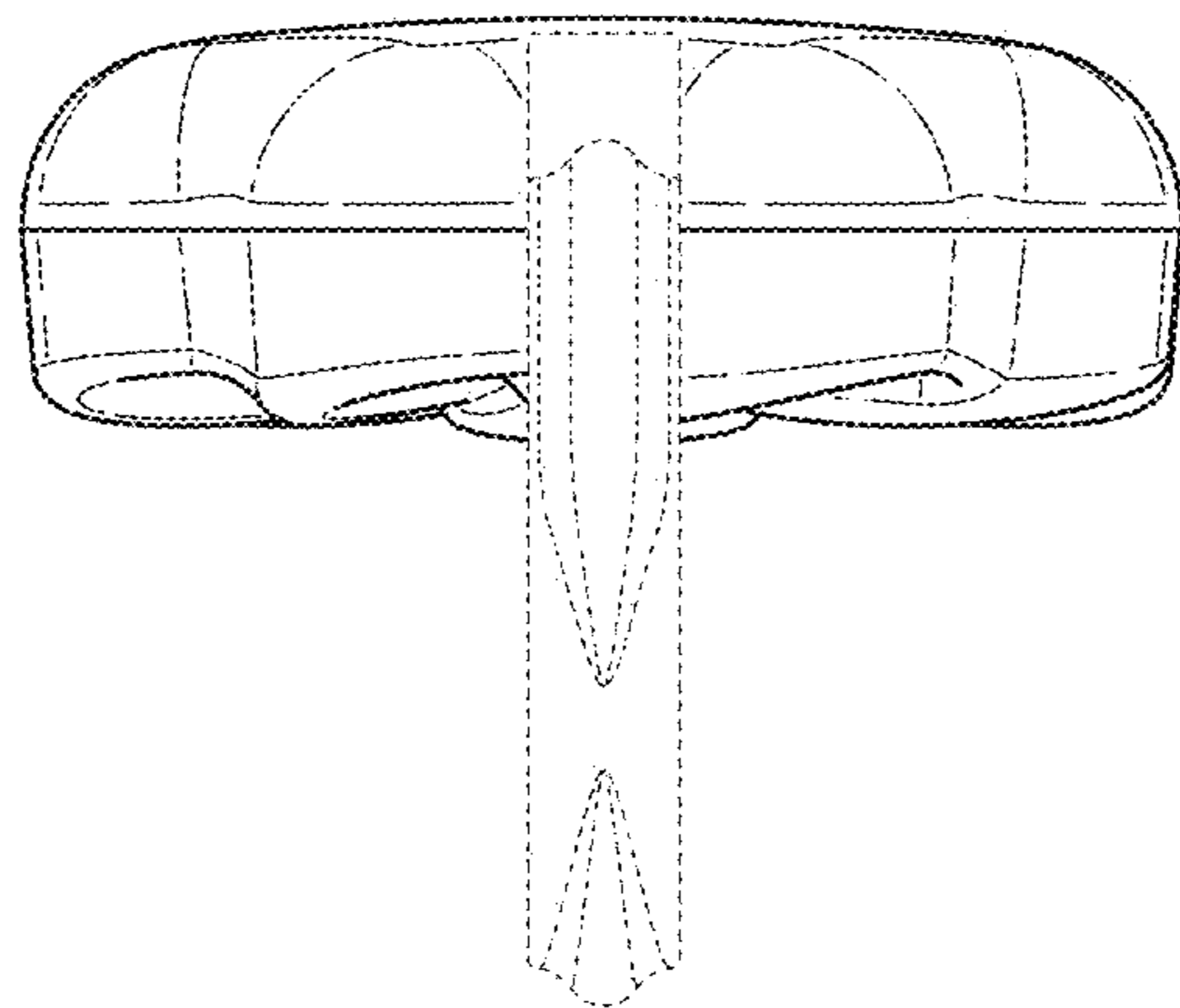


Fig. 6

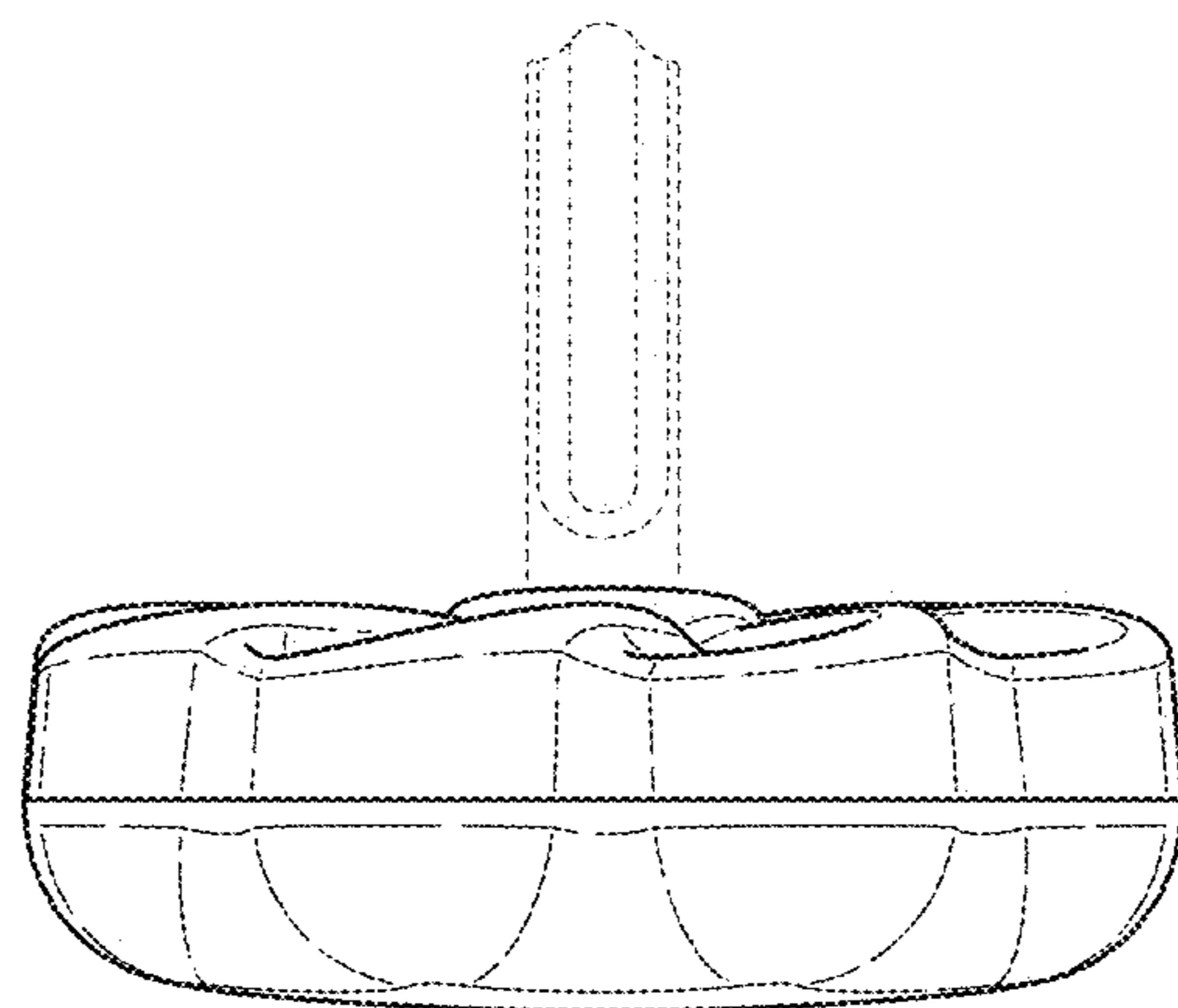


Fig. 7