



US00D916236S

(12) **United States Design Patent** (10) **Patent No.:** **US D916,236 S**  
**Bos et al.** (45) **Date of Patent:** **\*\* Apr. 13, 2021**

(54) **LAVATORY TREATMENT DEVICE**  
(71) Applicant: **Reckitt & Colman (Overseas)**  
**Hygiene Home Limited, Slough (GB)**  
(72) Inventors: **Randy Franciscus Jozef Bos,**  
Eindhoven (NL); **Lara Strauss,**  
Eindhoven (NL)  
(73) Assignee: **Reckitt & Colman (Overseas)**  
**Hygiene Home Limited, Slough (GB)**

D790,038 S \* 6/2017 Gerhards ..... D23/208  
D791,273 S \* 7/2017 Gerhards ..... D23/208  
D791,274 S \* 7/2017 Gerhards ..... D23/208  
D791,910 S \* 7/2017 Gerhards ..... D23/208  
D827,803 S \* 9/2018 Fox ..... D23/367  
D834,170 S \* 11/2018 Gobber ..... D23/367  
D856,471 S \* 8/2019 Muller ..... D23/208  
D868,953 S \* 12/2019 McKendree ..... D23/366  
2005/0014668 A1 \* 1/2005 Bariou ..... E03D 9/032  
510/191  
2007/0204387 A1 \* 9/2007 Cornelius ..... A61L 9/12  
4/223

(Continued)

(\*\*) Term: **15 Years**

(21) Appl. No.: **29/704,762**

(22) Filed: **Sep. 6, 2019**

(30) **Foreign Application Priority Data**

Mar. 21, 2019 (EP) ..... 006318341-0005

(51) **LOC (13) Cl.** ..... **23-01**

(52) **U.S. Cl.**  
USPC ..... **D23/208**

(58) **Field of Classification Search**  
USPC ..... D23/207, 208, 367, 368; D21/599, 808;  
D26/7, 125; D28/8.1, 8.2  
CPC ..... E03D 9/02; E03D 9/03; E03D 9/032  
See application file for complete search history.

(56) **References Cited**

**U.S. PATENT DOCUMENTS**

D381,444 S \* 7/1997 Yuen ..... D22/123  
D422,350 S \* 4/2000 Wu ..... D23/366  
D481,115 S \* 10/2003 Wu ..... D23/367  
D597,648 S \* 8/2009 Heflin, III ..... D23/367  
D604,826 S \* 11/2009 Lesniak ..... D23/367  
D614,279 S \* 4/2010 Lesniak ..... D23/367  
D632,379 S \* 2/2011 Perman ..... D23/367  
D772,378 S \* 11/2016 Gerhards ..... D23/208  
D790,034 S \* 6/2017 Gerhards ..... D23/208  
D790,035 S \* 6/2017 Gerhards ..... D23/208

**OTHER PUBLICATIONS**

“Harpic Hygienic Toilet Rim Block Twin Pack—Anti Limescale, Pack of 6” Mar. 13, 2013, Amazon, site visited Feb. 22, 2021: <https://www.amazon.co.uk/dp/B00BV4UPWW/> (Year: 2013).\*

(Continued)

*Primary Examiner* — Jack Reickel  
*Assistant Examiner* — Bobby W Jones, II  
(74) *Attorney, Agent, or Firm* — Norris McLaughlin PA

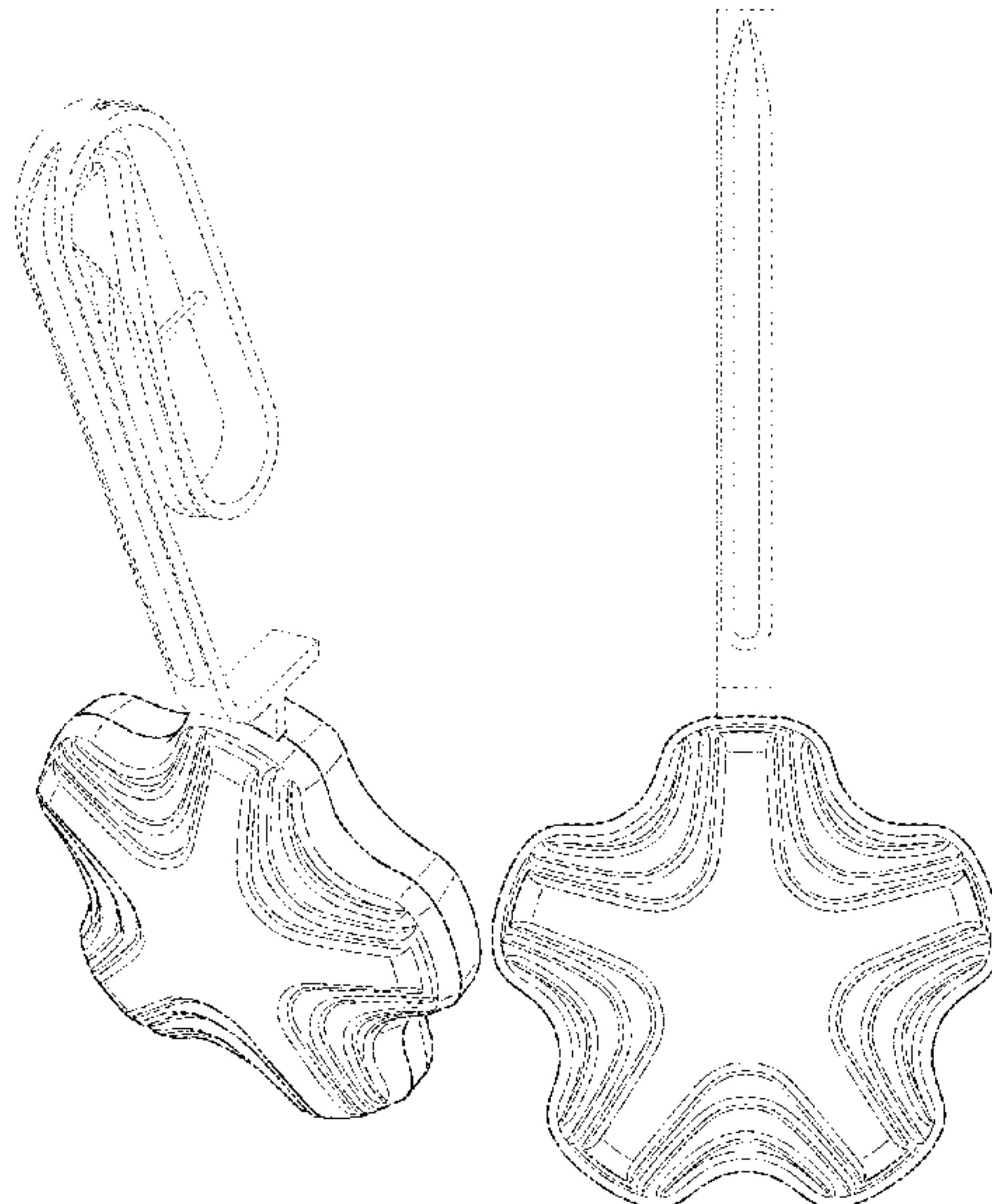
(57) **CLAIM**

The ornamental design for a lavatory treatment device, as shown as described.

**DESCRIPTION**

FIG. 1 is a front and side perspective view of a lavatory treatment device; and, FIG. 2 is a front side elevational view thereof; FIG. 3 is a rear side elevational view thereof; FIG. 4 is a left side elevational view thereof; FIG. 5 is a right side elevational view thereof; FIG. 6 is a top plan view thereof; and, FIG. 7 is a bottom plan view thereof. The portions of the depicted designs indicated in broken lines form no part of the claimed designs.

**1 Claim, 4 Drawing Sheets**



(56)

**References Cited**

U.S. PATENT DOCUMENTS

2008/0086801 A1\* 4/2008 Virica ..... E03D 9/007  
4/227.4  
2009/0235443 A1\* 9/2009 Arora ..... C11D 17/0056  
4/231  
2012/0047640 A1\* 3/2012 Warkotsch ..... E03D 9/032  
4/223  
2013/0104304 A1\* 5/2013 Wilson ..... E03D 9/032  
4/231  
2015/0167282 A1\* 6/2015 Lehmann ..... E03D 9/032  
4/231  
2017/0247869 A1\* 8/2017 Soller ..... C11D 17/0056

OTHER PUBLICATIONS

“Twinkle Little Star Soap” Dec. 26, 2016, Amazon, site visited Feb. 25, 2021: <https://www.amazon.com/dp/B07D3FL9H8/> (Year: 2016).\*  
“Start Shaped Fragrance Stones” Mar. 15, 2019, Amazon, site visited Feb. 25, 2021: <https://www.amazon.ca/dp/B07VC74LWR/> (Year: 2019).\*

\* cited by examiner

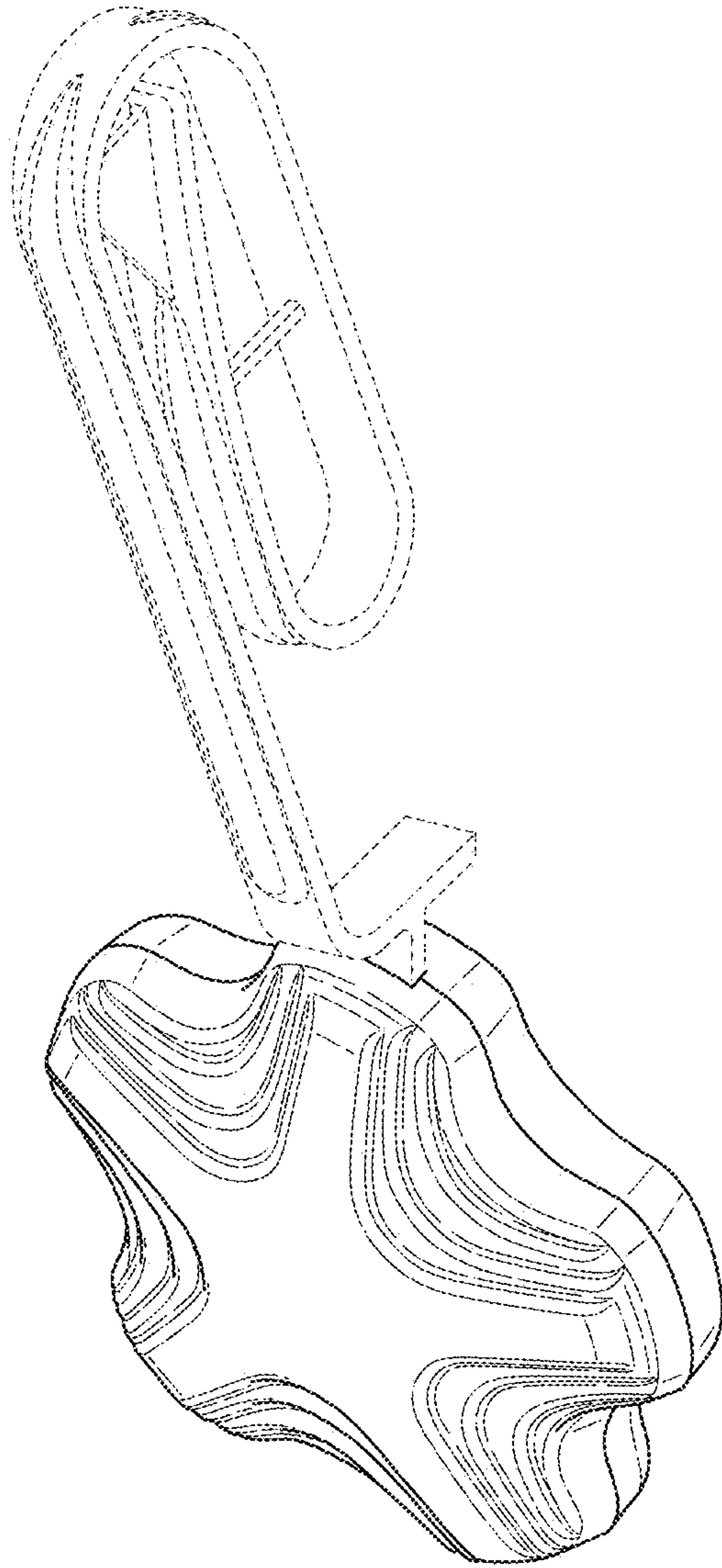


Fig. 1

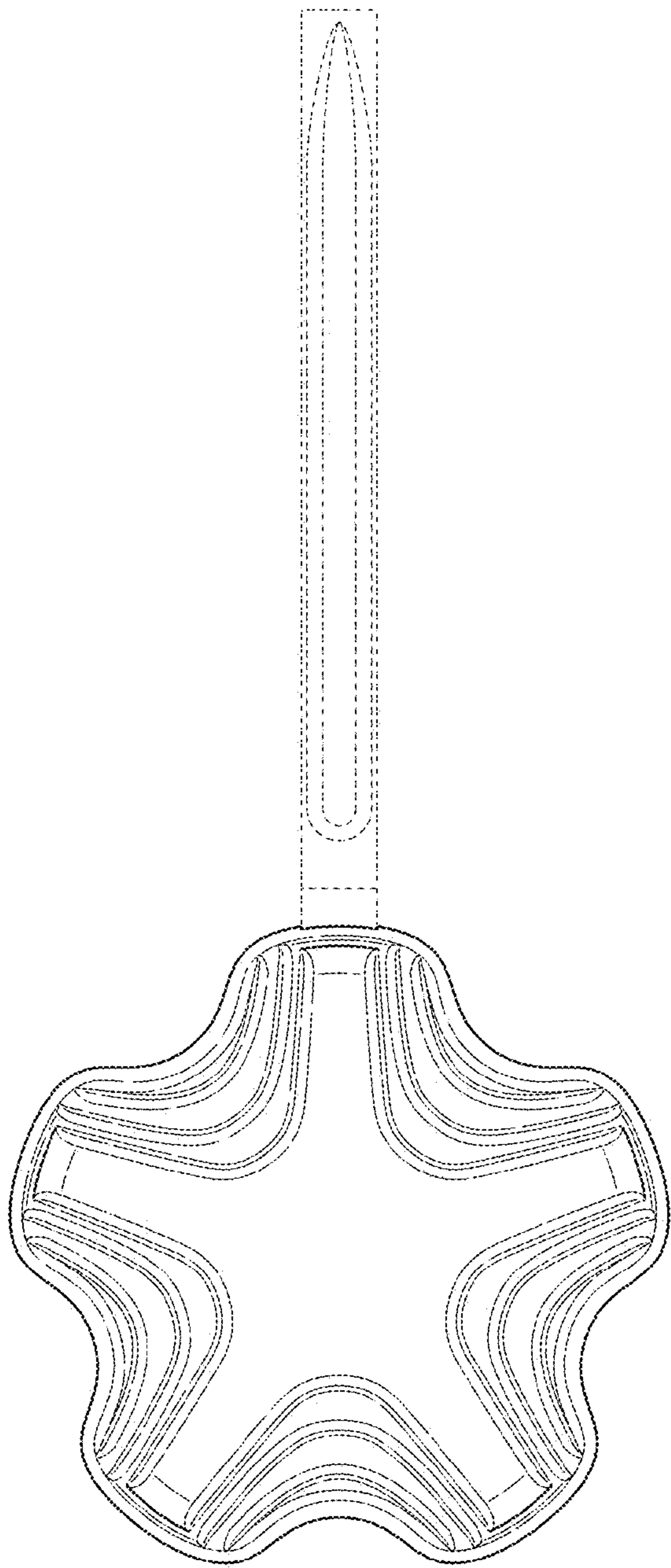


Fig. 2

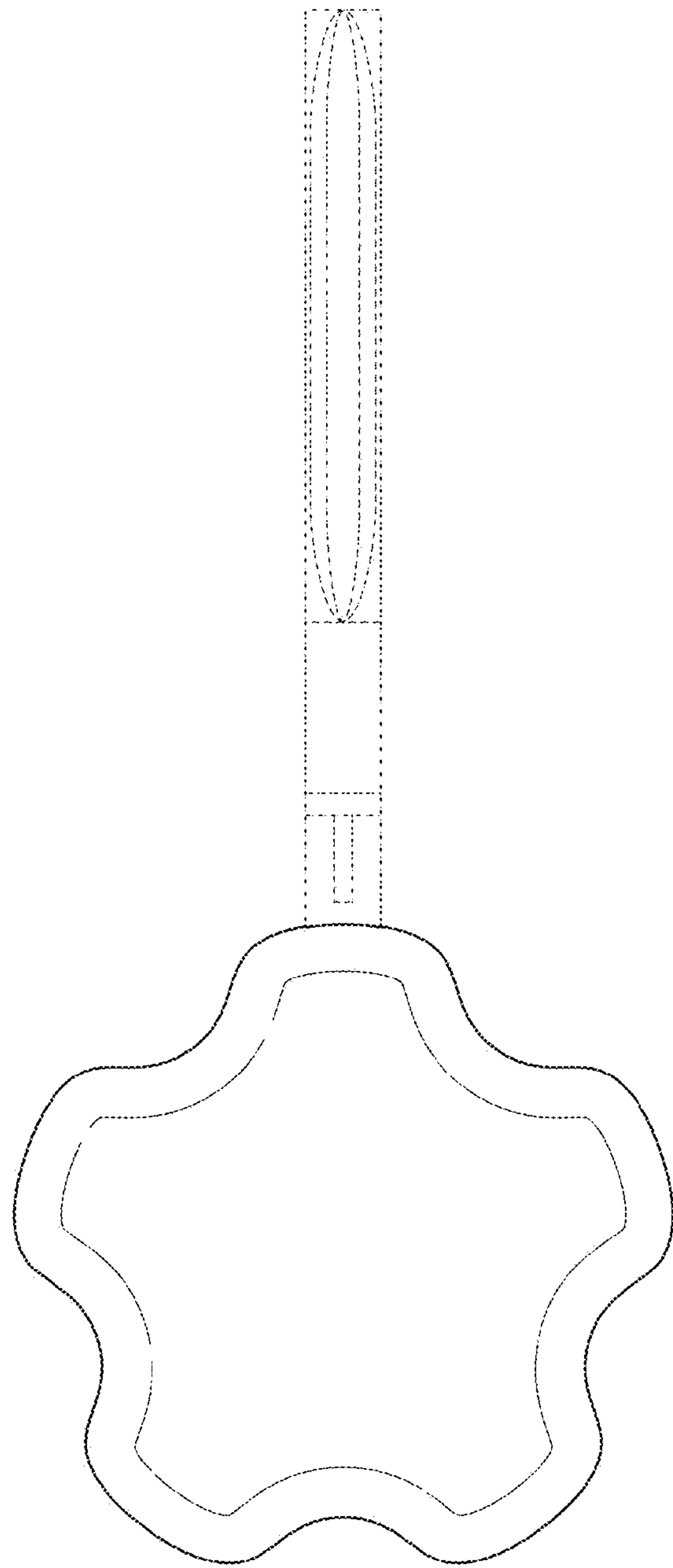


Fig. 3



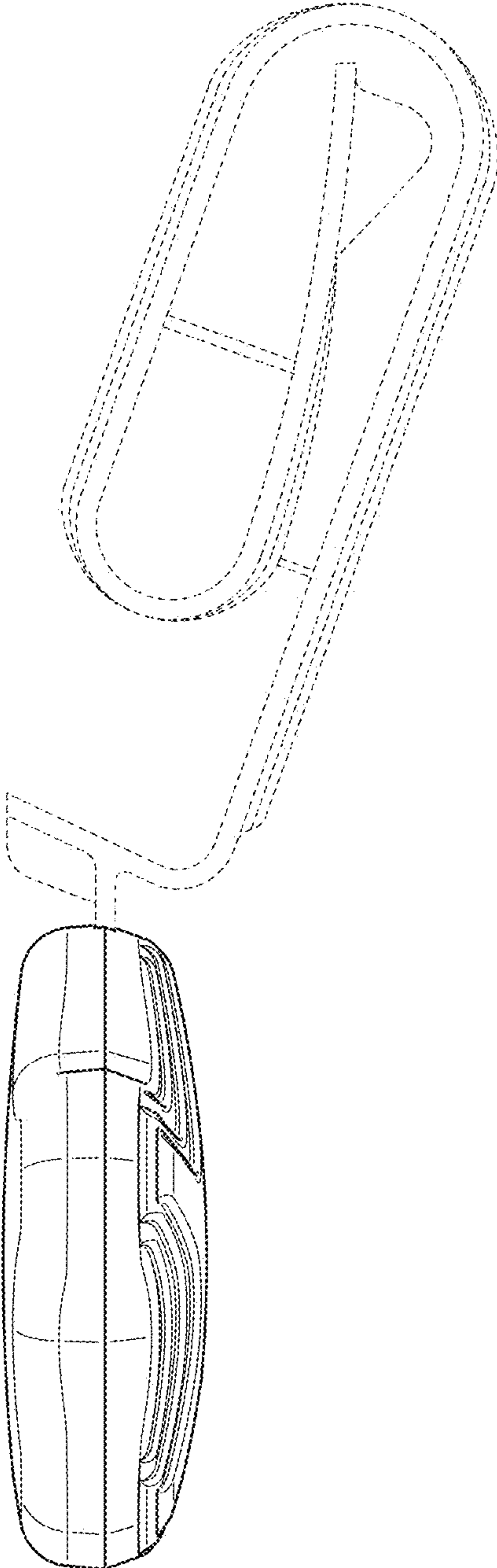


Fig. 4

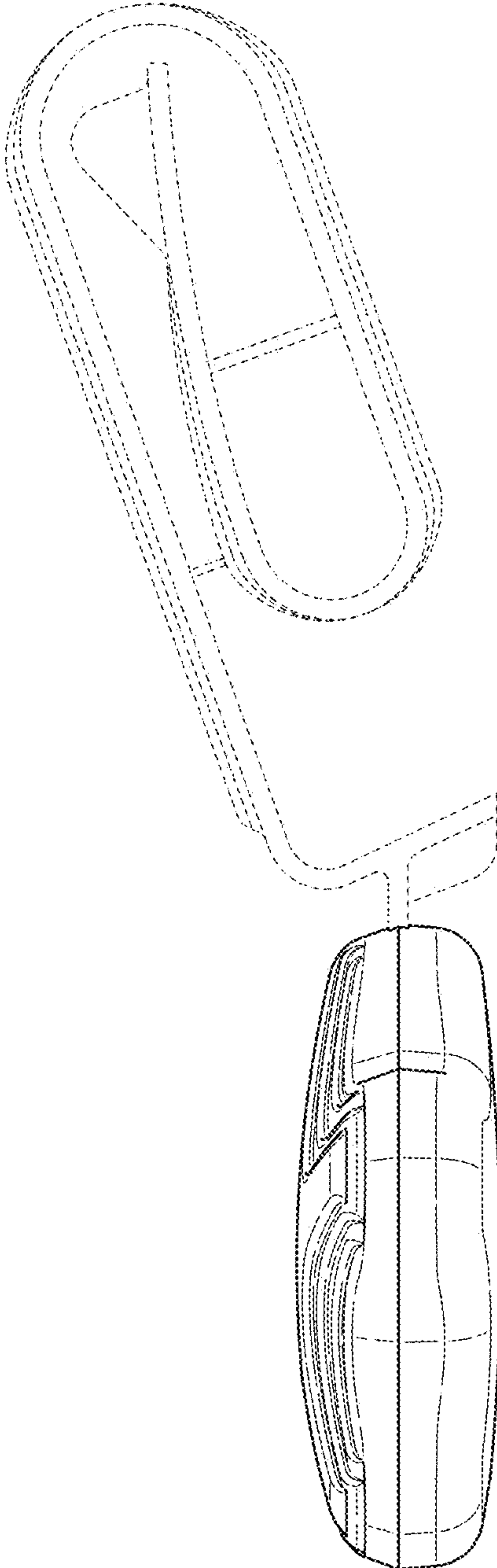


Fig. 5

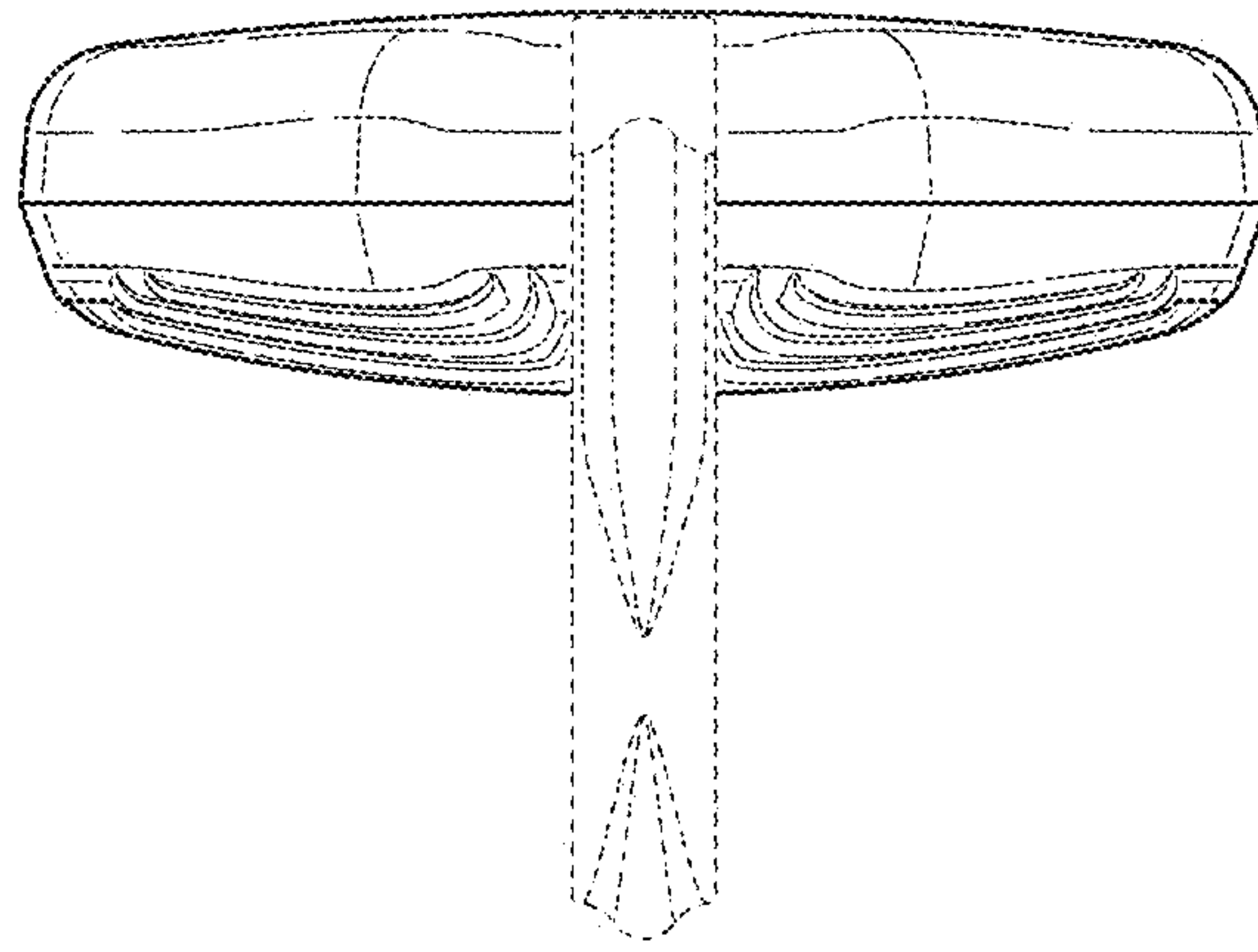


Fig. 6

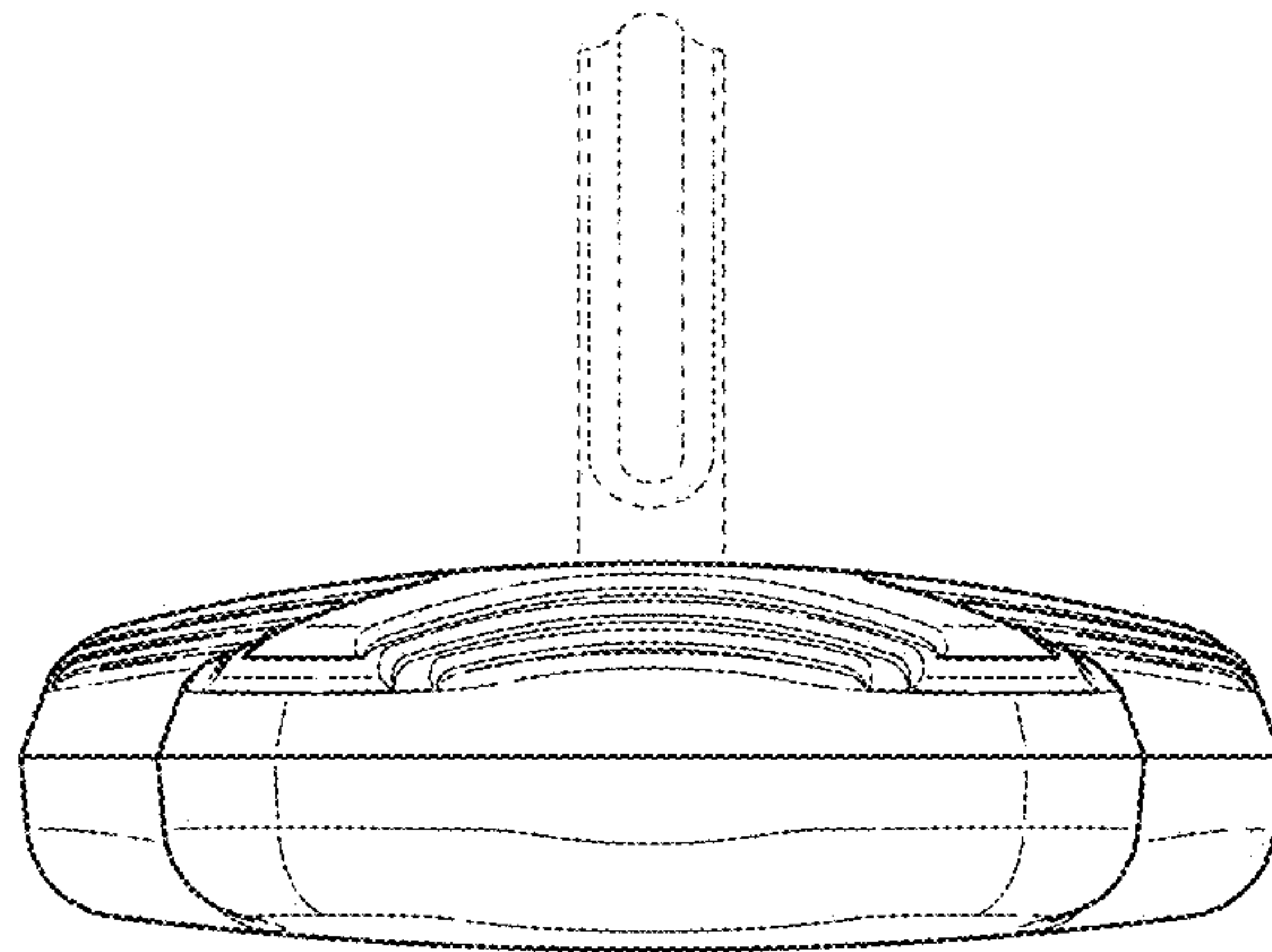


Fig. 7