



US00D916234S

(12) **United States Design Patent** (10) **Patent No.:** **US D916,234 S**
Bos (45) **Date of Patent:** **** Apr. 13, 2021**

(54) **LAVATORY TREATMENT DEVICE**
(71) Applicant: **Reckitt & Colman (Overseas)**
Hygiene Home Limited, Slough (GB)
(72) Inventor: **Randy Franciscus Jozef Bos**,
Eindhoven (NL)
(73) Assignee: **Reckitt & Colman (Overseas)**
Hygiene Home Limited, Slough (GB)

(**) Term: **15 Years**
(21) Appl. No.: **29/704,754**
(22) Filed: **Sep. 6, 2019**

(30) **Foreign Application Priority Data**
Mar. 21, 2019 (EP) 006318341-0003
(51) **LOC (13) Cl.** **23-01**
(52) **U.S. Cl.**
USPC **D23/208**
(58) **Field of Classification Search**
USPC D23/207, 208, 367, 368; D21/599, 808
CPC E03D 9/02; E03D 9/03; E03D 9/032
See application file for complete search history.

(56) **References Cited**
U.S. PATENT DOCUMENTS
D302,580 S * 8/1989 Gatarz D23/208
D325,069 S * 3/1992 Gaury D1/100
D332,488 S * 1/1993 Martin D23/367
D381,444 S * 7/1997 Yuen D22/123
D568,960 S * 5/2008 Cheung D23/208
8,051,503 B2 * 11/2011 Nguyen E03D 9/007
4/223
D656,575 S * 3/2012 Muhlhausen D23/208
D689,167 S * 9/2013 Gerhards D23/208
D722,154 S * 2/2015 Muller D23/368
D772,378 S * 11/2016 Gerhards D23/208
D787,633 S * 5/2017 Gerhards D23/208

D788,259 S * 5/2017 Gerhards D23/208
D790,035 S * 6/2017 Gerhards D23/208
D791,273 S * 7/2017 Gerhards D23/208
D813,979 S * 3/2018 Bruining D23/208
D827,803 S * 9/2018 Fox D23/367
D830,504 S * 10/2018 Bos D23/208
10,344,462 B2 * 7/2019 Soller E03D 9/032
2005/0014668 A1 * 1/2005 Bariou E03D 9/032
510/191
2007/0204387 A1 * 9/2007 Cornelius A61L 9/12
4/223

(Continued)

OTHER PUBLICATIONS

“Harpic Hygienic Toilet Rim Block Twin Pack—Anti Limescale, Pack of 6” Mar. 13, 2013, Amazon, site visited Feb. 22, 2021: <https://www.amazon.co.uk/dp/B00BV4UPWW/> (Year: 2013).*

(Continued)

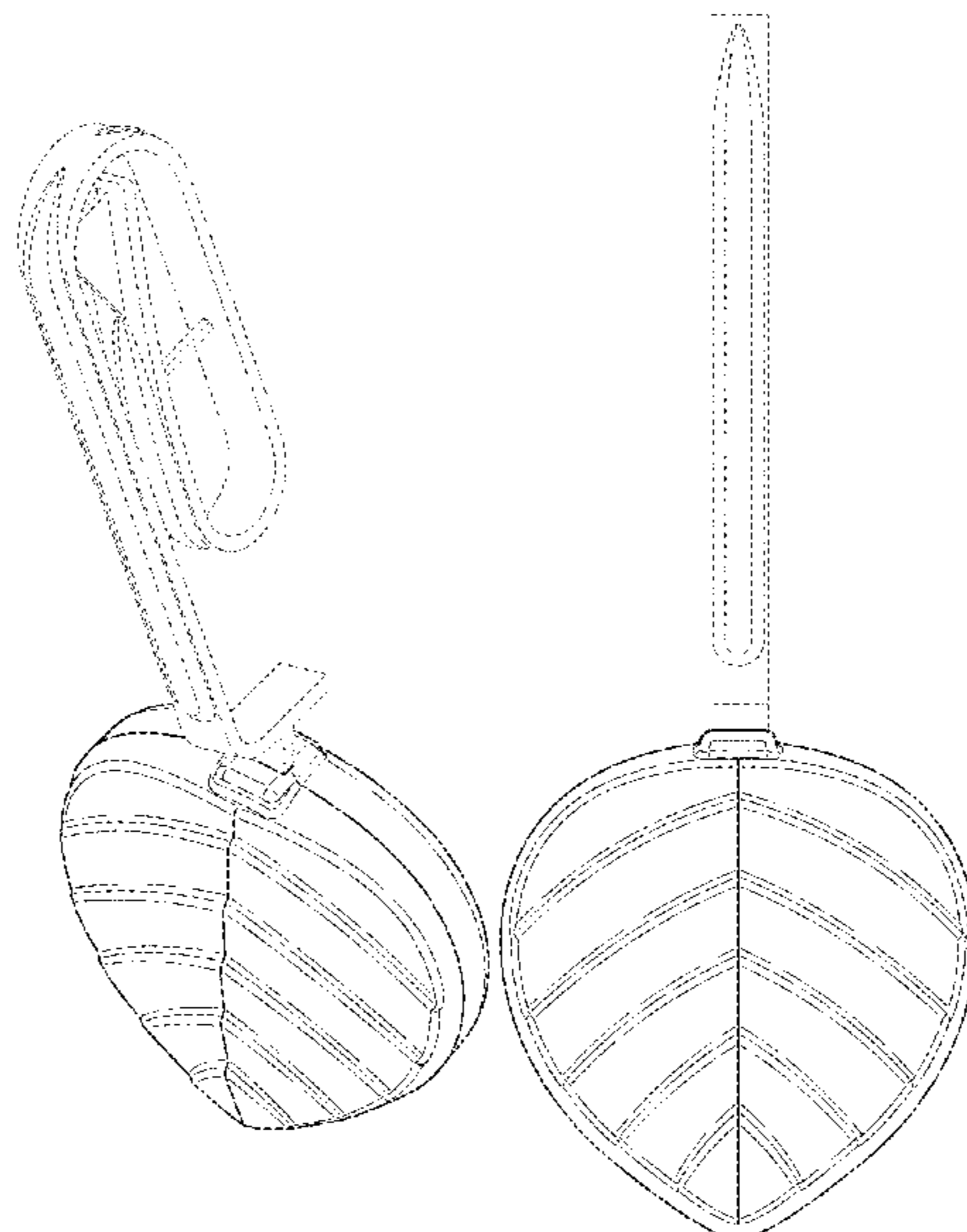
Primary Examiner — Jack Reickel
Assistant Examiner — Bobby W Jones, II
(74) *Attorney, Agent, or Firm* — Norris McLaughlin PA

(57) **CLAIM**
The ornamental design for the lavatory treatment device, as shown and described.

DESCRIPTION

FIG. 1 is a front and side perspective view of a lavatory treatment device; and,
FIG. 2 is a front side elevational view thereof;
FIG. 3 is a rear side elevational view thereof;
FIG. 4 is a left side elevational view thereof;
FIG. 5 is a right side elevational view thereof;
FIG. 6 is a top plan view thereof; and,
FIG. 7 is a bottom plan view thereof.
The portions of the depicted designs indicated in broken lines form no part of the claimed designs.

1 Claim, 4 Drawing Sheets



(56)

References Cited

U.S. PATENT DOCUMENTS

2007/0245470 A1* 10/2007 Nguyen E03D 9/032
4/223
2009/0235443 A1* 9/2009 Arora C11D 17/0056
4/231
2012/0047640 A1* 3/2012 Warkotsch E03D 9/032
4/223
2013/0104304 A1* 5/2013 Wilson E03D 9/032
4/231
2015/0167282 A1* 6/2015 Lehmann E03D 9/032
4/231
2017/0247869 A1* 8/2017 Soller C11D 17/0056

OTHER PUBLICATIONS

“Bloo Power Active Toilet Rim Block” May 30, 2017, Amazon, site visited Feb. 22, 2021: <https://www.amazon.co.uk/dp/B072C7TVSZ/> (Year: 2017).*

* cited by examiner

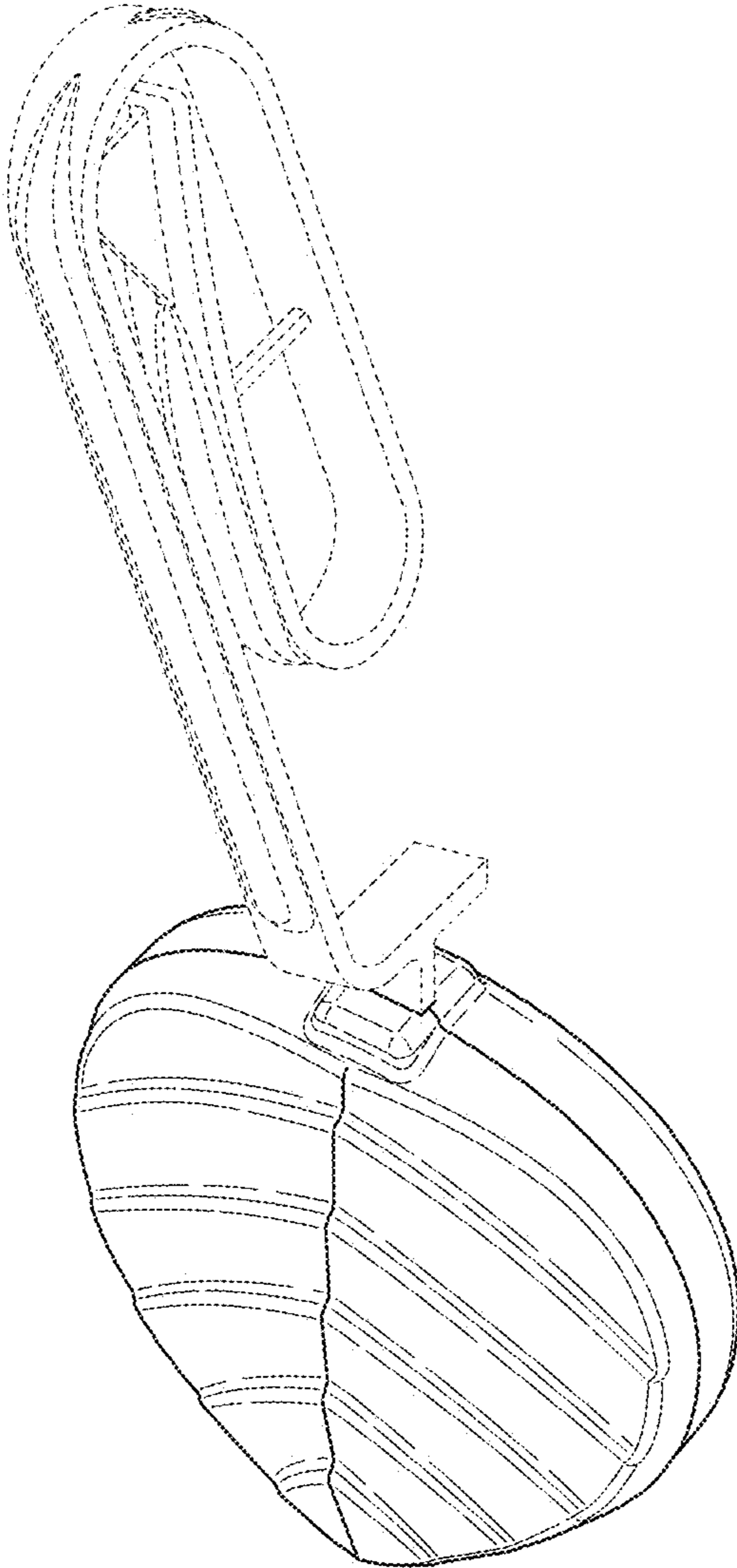


Fig. 1

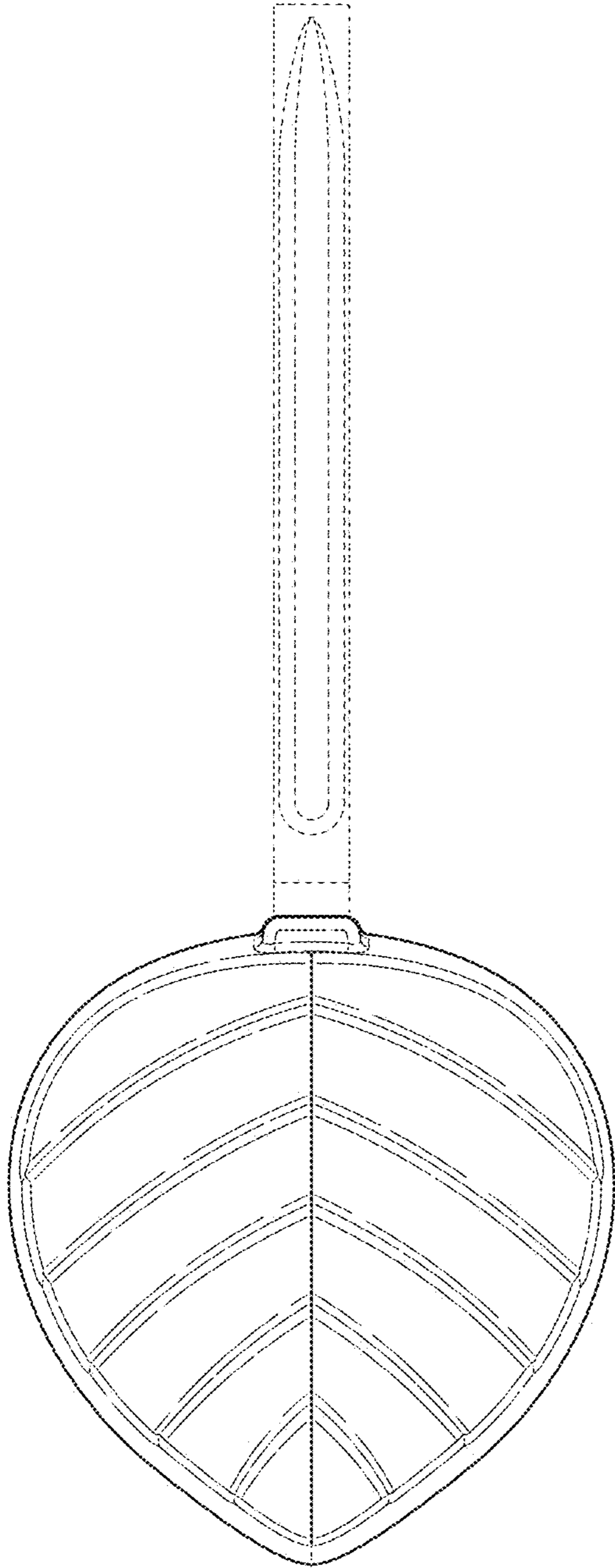


Fig. 2

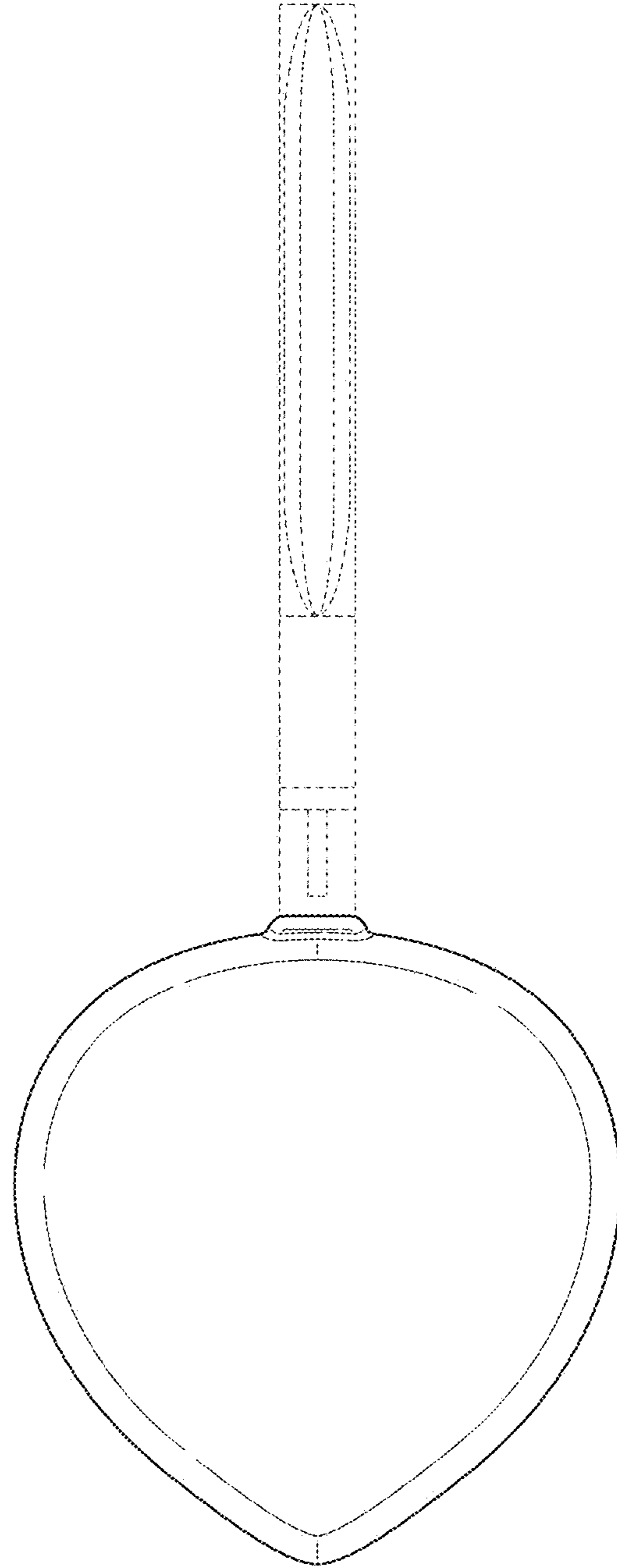


Fig. 3

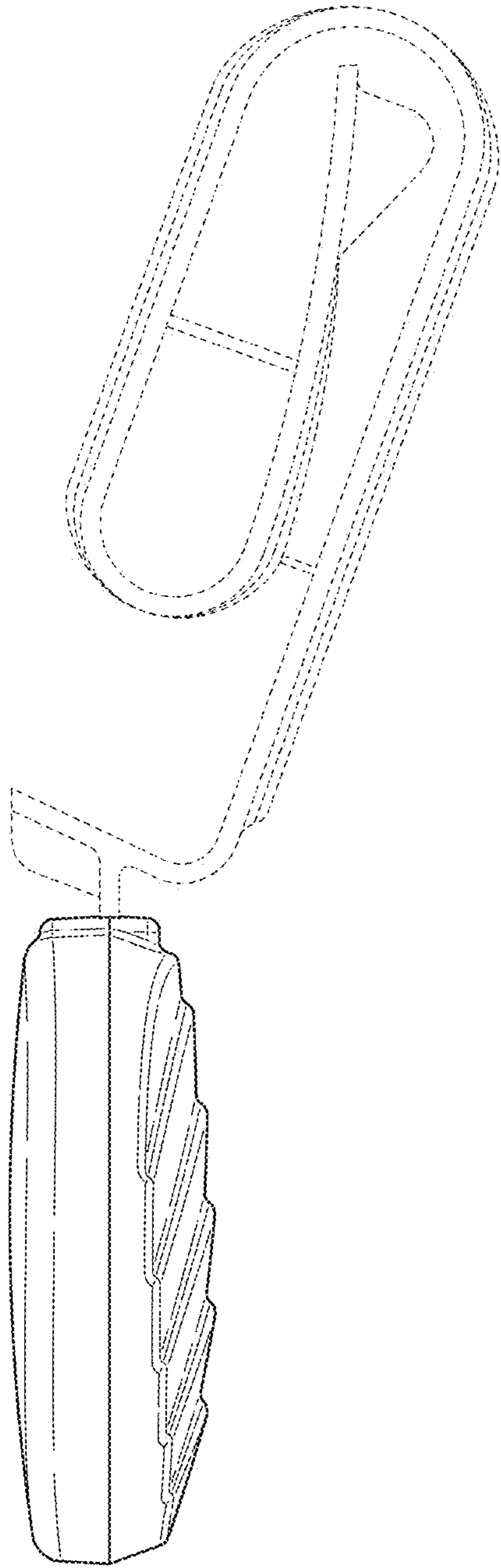


Fig. 4

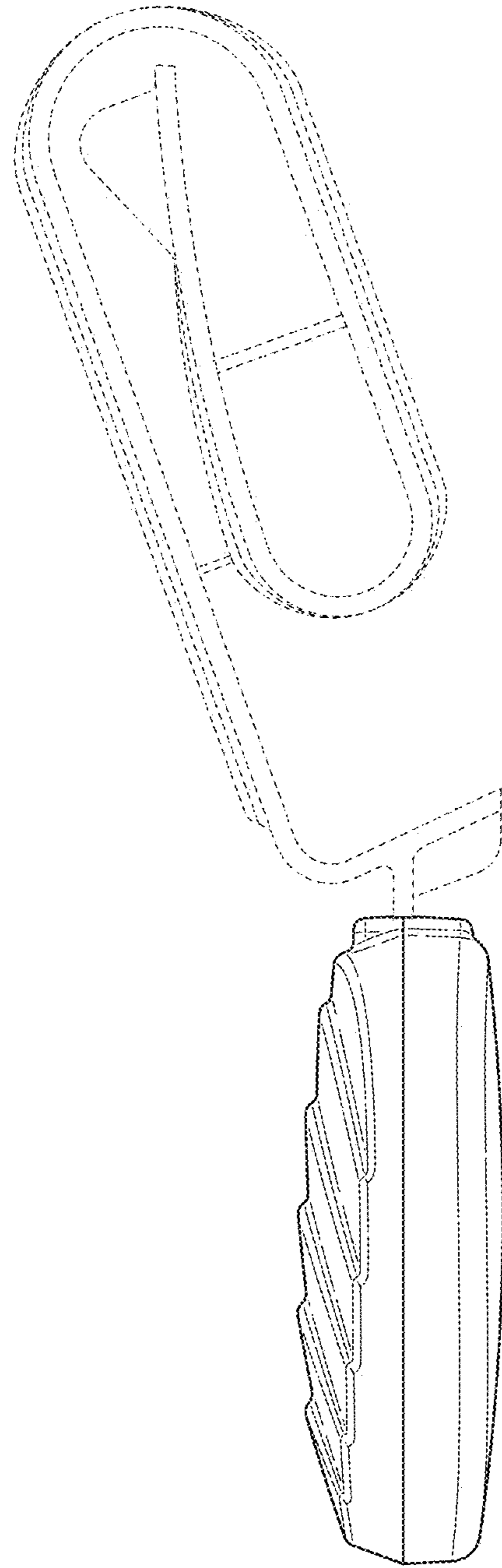


Fig. 5

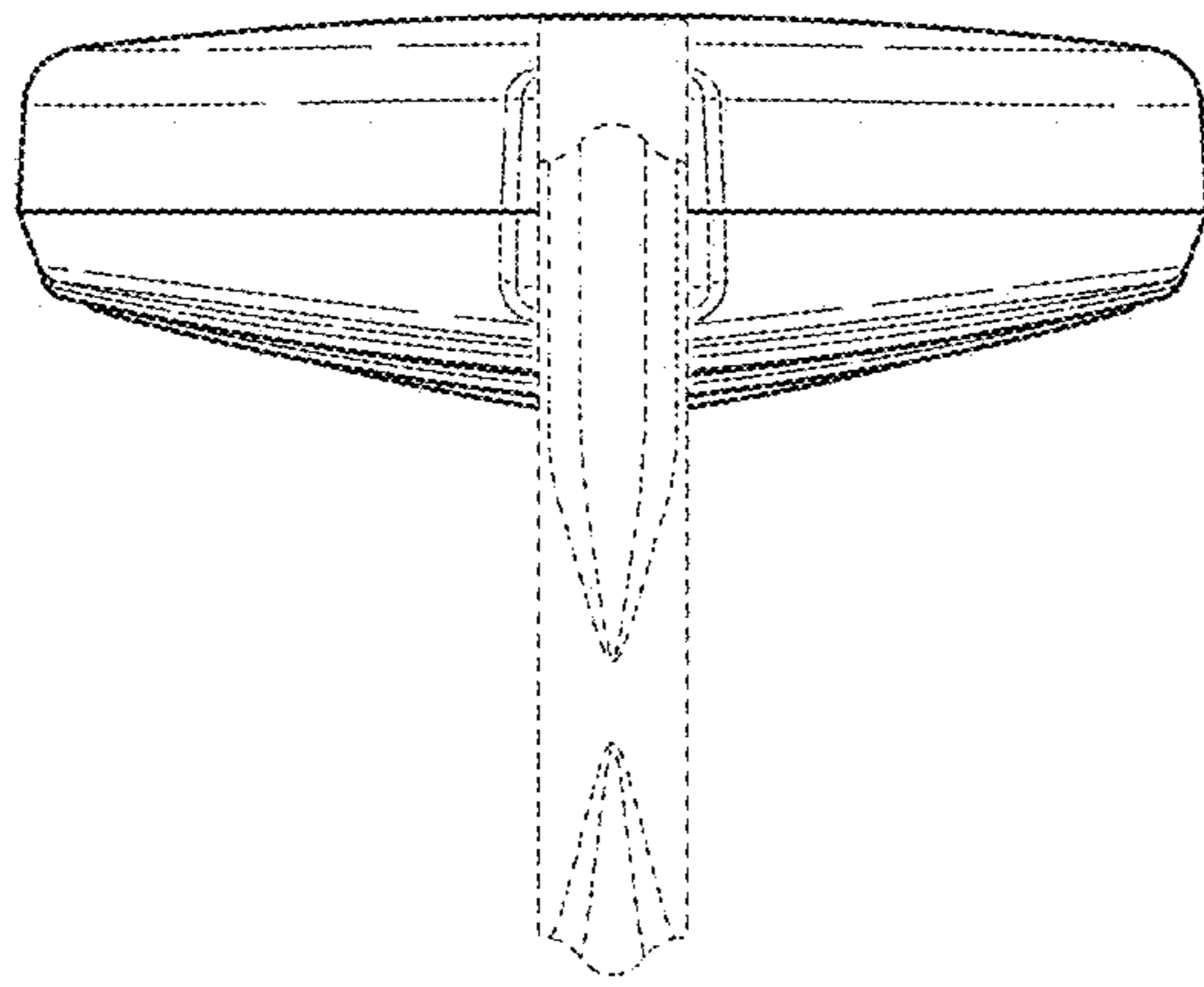


Fig. 6

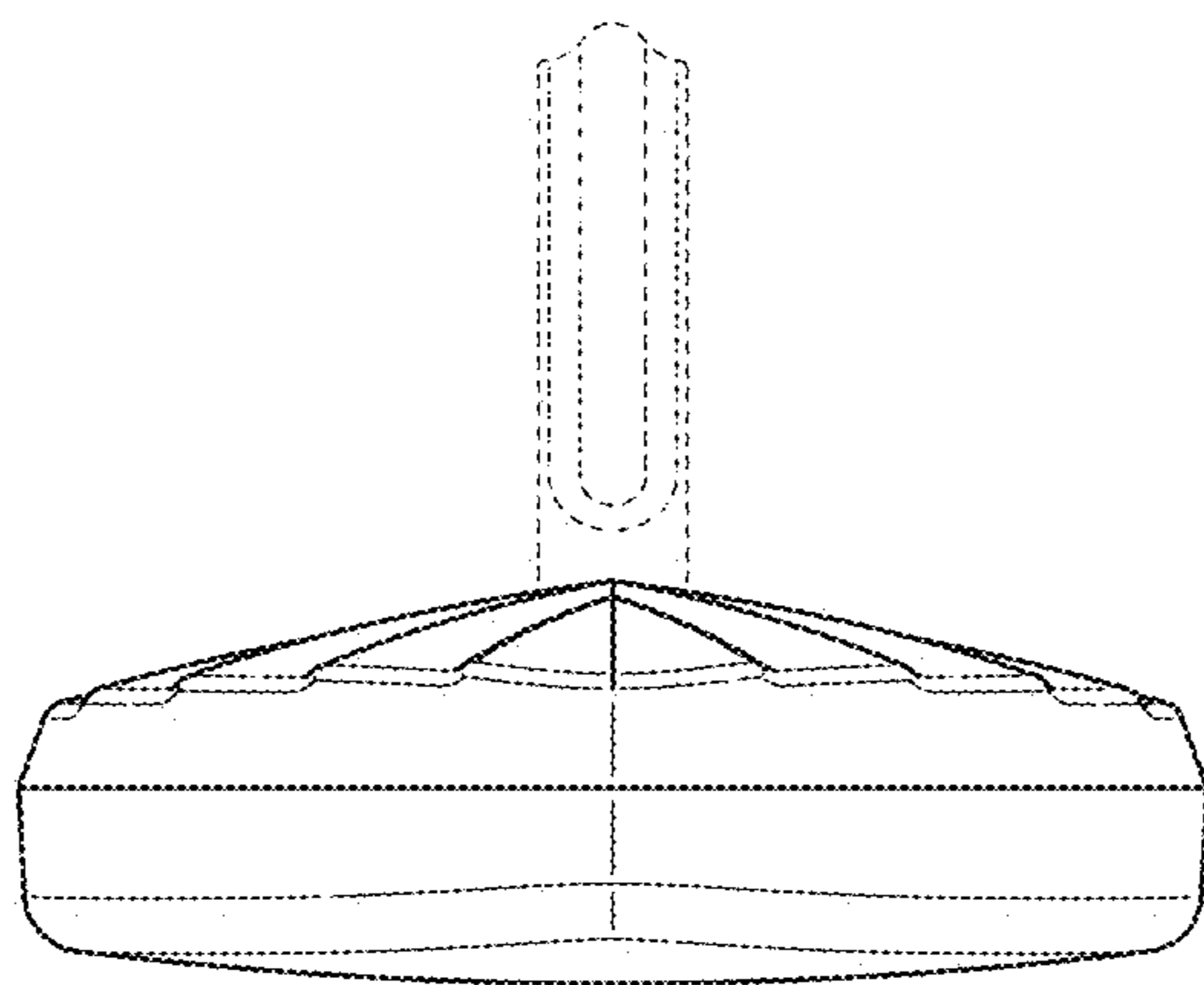


Fig. 7