



US00D916232S

(12) **United States Design Patent**
Xiao

(10) **Patent No.:** **US D916,232 S**
(45) **Date of Patent:** **** Apr. 13, 2021**

- (54) **LID FOR SPRAY GUN**
- (71) Applicant: **QINGDAO HANBO PLASTIC TECHNOLOGY CO., LTD.**, Qingdao (CN)
- (72) Inventor: **Yun Xiao**, Jiaonan (CN)
- (73) Assignee: **QINGDAO HANBO PLASTIC TECHNOLOGY CO., LTD.**, Qingdao (CN)

6,595,441 B2 * 7/2003 Petrie B05B 7/2478
239/345
6,953,155 B2 * 10/2005 Joseph B05B 7/241
222/105
7,819,341 B2 * 10/2010 Schmon B05B 7/2408
239/321

(Continued)

FOREIGN PATENT DOCUMENTS

IN 287208-0001 * 9/2016

OTHER PUBLICATIONS

Full Box—50 Lids, 50 Liners, 1 Hard Cup, announced Sep. 7, 2018[online], [site visited Feb. 17, 2021], Available from internet, URL:<<https://www.amazon.com/Full-Box-Liners-Compare-Filters/dp/B07H5MXRKH>> (Year: 2018).*

(Continued)

Primary Examiner — Barbara Fox
Assistant Examiner — Jamaal Rasheed
(74) *Attorney, Agent, or Firm* — SZDC Law P.C.

(57) **CLAIM**

The ornamental design for a lid for spray gun, as shown and described.

DESCRIPTION

FIG. 1 is a front perspective view of the lid for a spray gun; FIG. 2 is a front view thereof; FIG. 3 is a back view thereof; FIG. 4 is a left view thereof; FIG. 5 is a right view thereof; FIG. 6 is a top view thereof; FIG. 7 is a bottom view thereof; and, FIG. 8 is a perspective view of the lid assembled along with other components of the spray gun. The broken lines shown in the drawings depict portions of the lid for spray gun that form no part of the claimed design. The broken line showing of the spray gun cup in FIG. 8 forms no part of the claimed design.

1 Claim, 8 Drawing Sheets

(**) Term: **15 Years**

(21) Appl. No.: **29/696,211**

(22) Filed: **Jun. 26, 2019**

(30) **Foreign Application Priority Data**

Jun. 4, 2019 (CN) 201930286522.6

(51) **LOC (13) Cl.** **23-01**

(52) **U.S. Cl.**
USPC **D23/202**

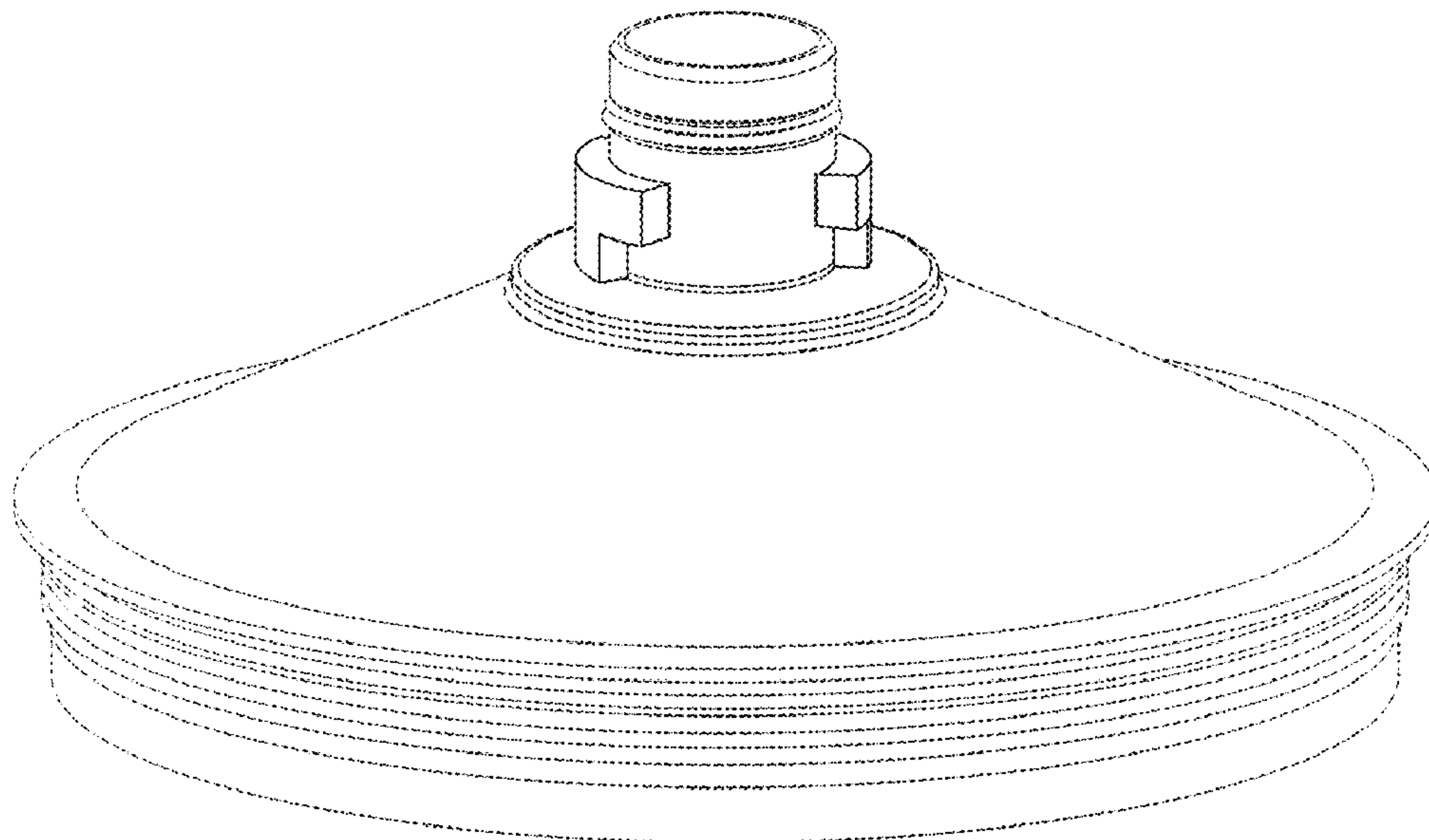
(58) **Field of Classification Search**
USPC D23/202, 207–208, 225; D3/272
CPC B05B 7/24; B05B 9/03; B05B 1/00; B65D
47/06; B65D 25/16

See application file for complete search history.

(56) **References Cited**

U.S. PATENT DOCUMENTS

3,144,507 A * 8/1964 Scadron H01R 4/021
174/84 R
4,807,786 A * 2/1989 Gueret B65D 41/185
222/499
5,553,854 A * 9/1996 Rum A63F 3/00097
273/267



(56)

References Cited

U.S. PATENT DOCUMENTS

7,823,806 B2 * 11/2010 Schmon F16L 37/252
 239/600
 D644,803 S * 9/2011 Schmon D32/54
 D692,530 S * 10/2013 Gehrung D23/225
 9,259,960 B1 * 2/2016 Tepsi B44D 3/12
 D793,530 S * 8/2017 Hegdahl D23/225
 9,815,076 B2 * 11/2017 Schulz B05B 7/2478
 10,688,511 B2 * 6/2020 Hegdahl B05B 7/2408
 10,689,165 B2 * 6/2020 Hegdahl B05B 11/0038
 10,710,105 B2 * 7/2020 Li B65D 25/14
 D899,559 S * 10/2020 Oh D23/207
 10,857,553 B2 * 12/2020 Nyaribo B05B 7/2408
 2007/0269341 A1 * 11/2007 Halverson G01N 1/34
 422/400
 2008/0179763 A1 * 7/2008 Schmon B05B 7/2478
 261/72.1

2009/0014557 A1 * 1/2009 Schmon B05B 7/2478
 239/302
 2009/0078789 A1 * 3/2009 Kruse B05B 7/2478
 239/345
 2012/0000992 A1 * 1/2012 Shih B05B 7/2408
 239/302
 2012/0291890 A1 * 11/2012 Pan B05B 15/40
 137/544
 2015/0108135 A1 * 4/2015 Hanna B05B 7/2408
 220/495.06
 2019/0009289 A1 * 1/2019 Pitera B05B 7/2478

OTHER PUBLICATIONS

3M 16114 Liner Kit Cup Paint Spray, announced Feb. 6, 2007[online],
 [site visited Feb. 17, 2021], Available from internet, URL:<<https://www.amazon.com/3M-16114-Liner-Paint-Spray/dp/B000N9Q79Q>> (Year: 2007).*

* cited by examiner

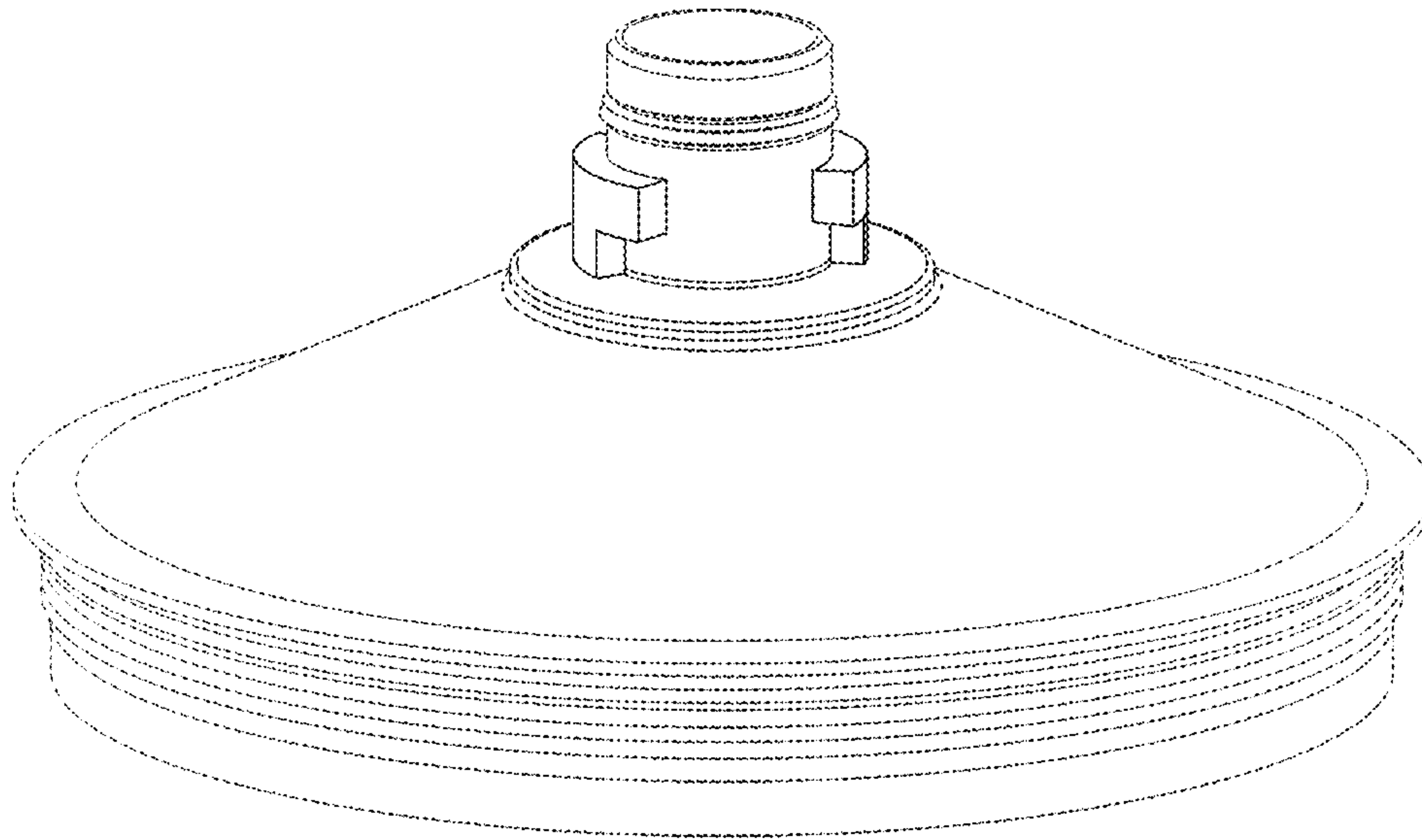


FIG. 1

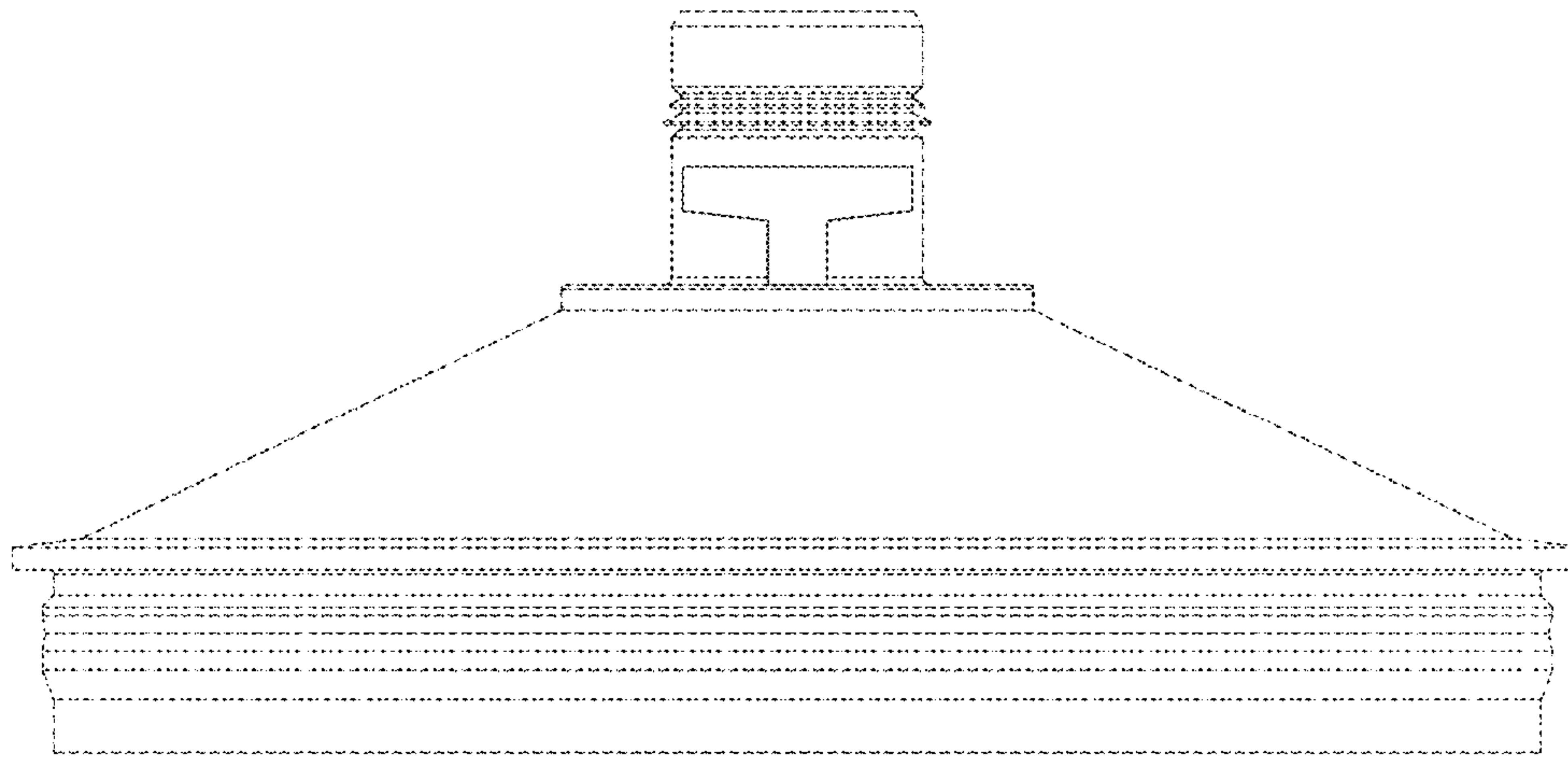


FIG. 2

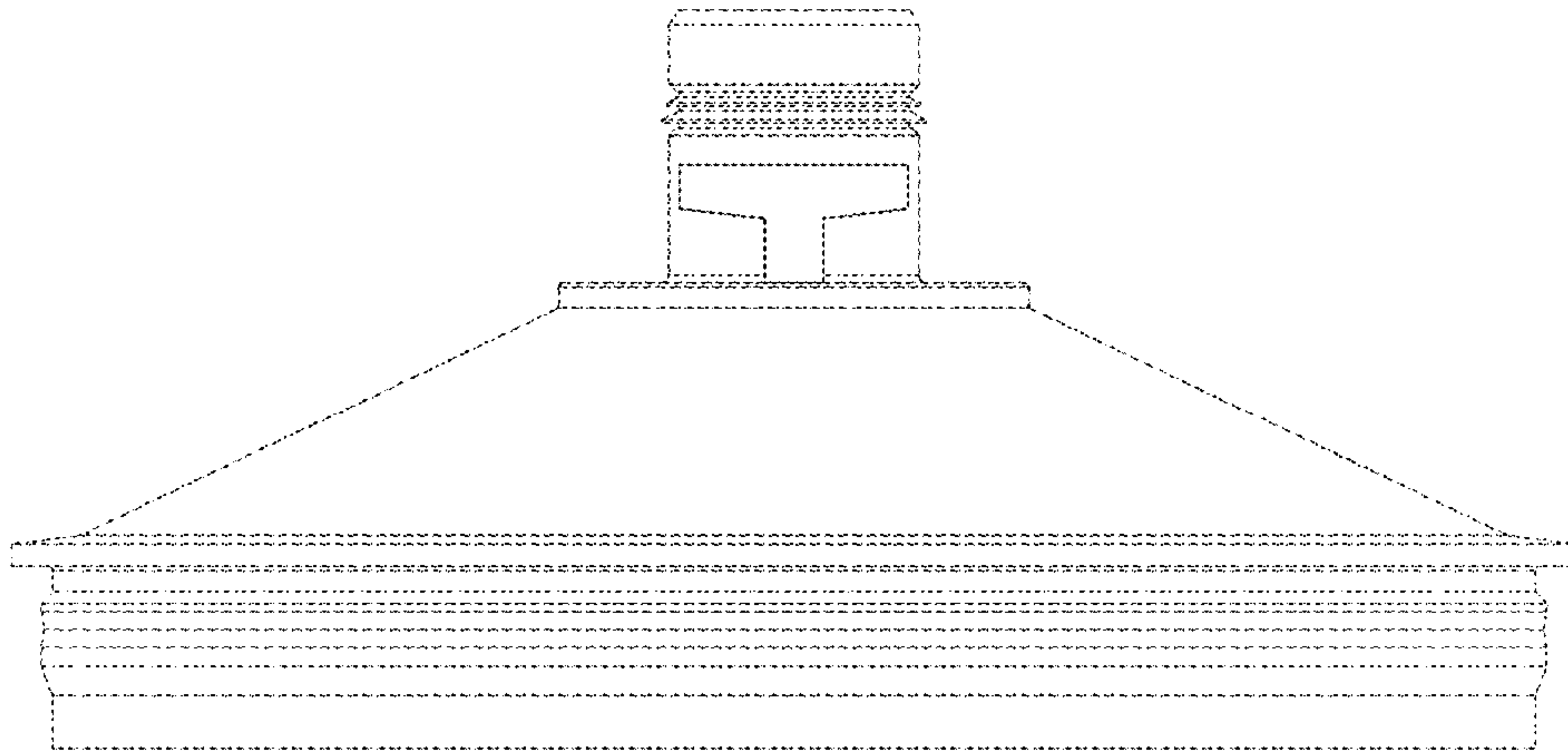


FIG. 3

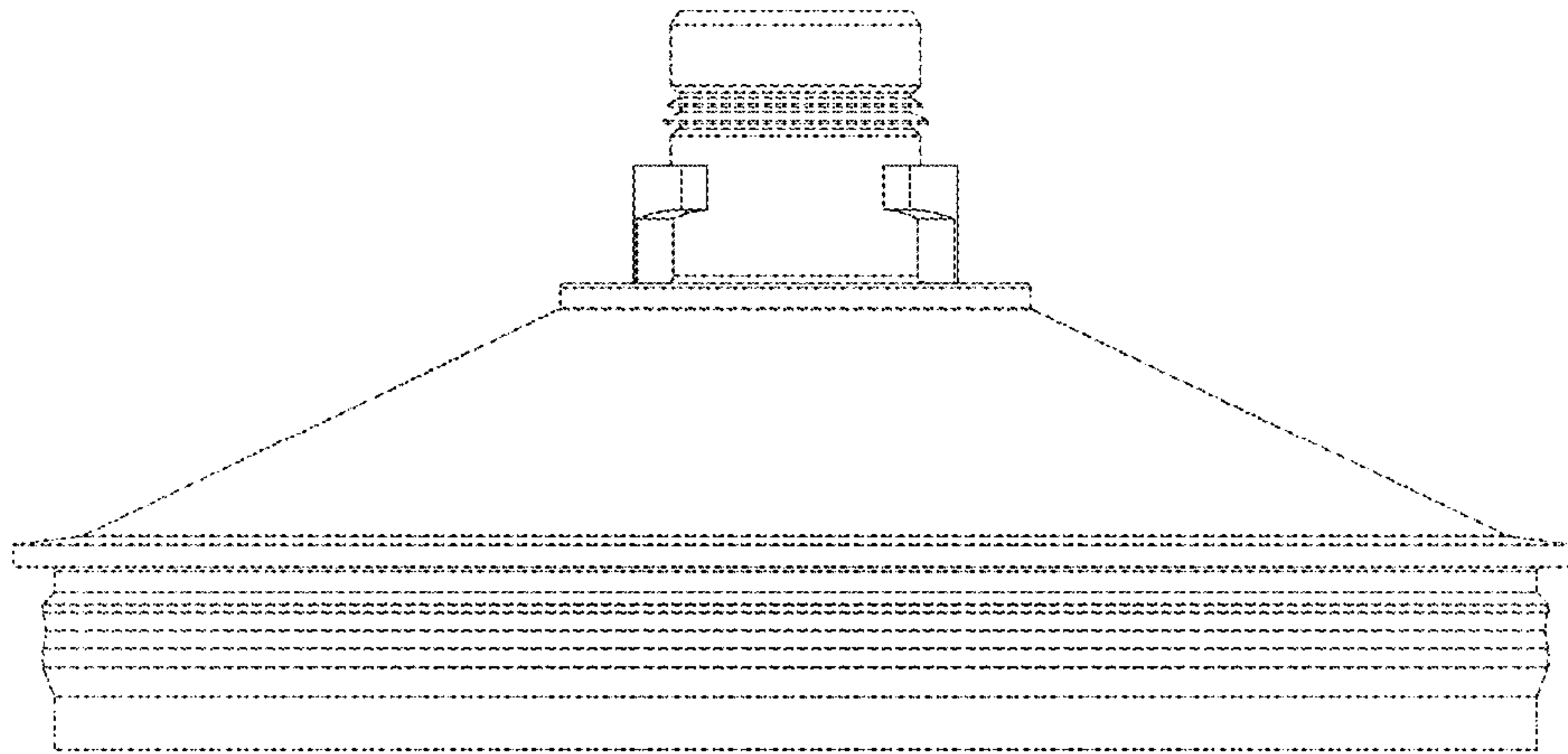


FIG. 4

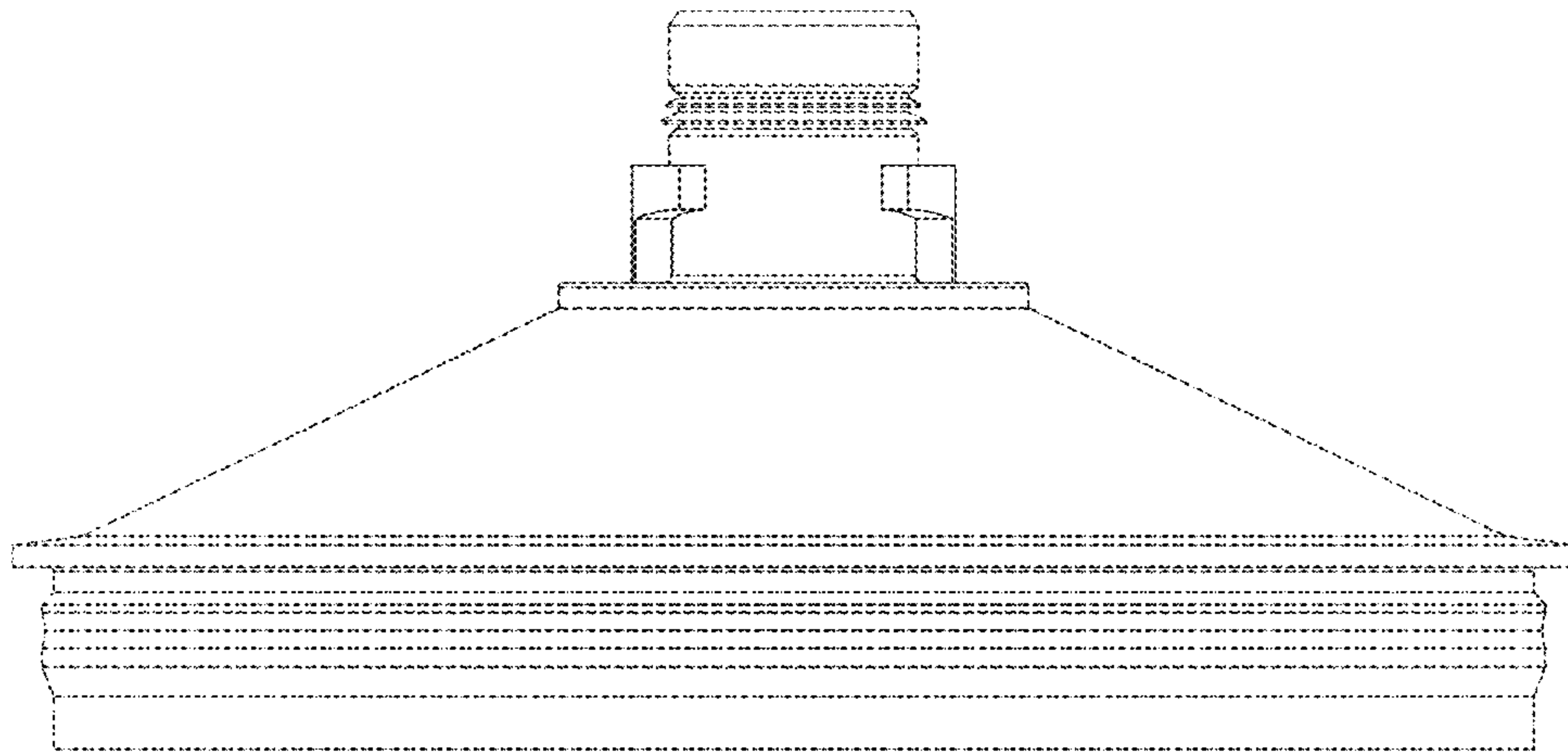


FIG. 5

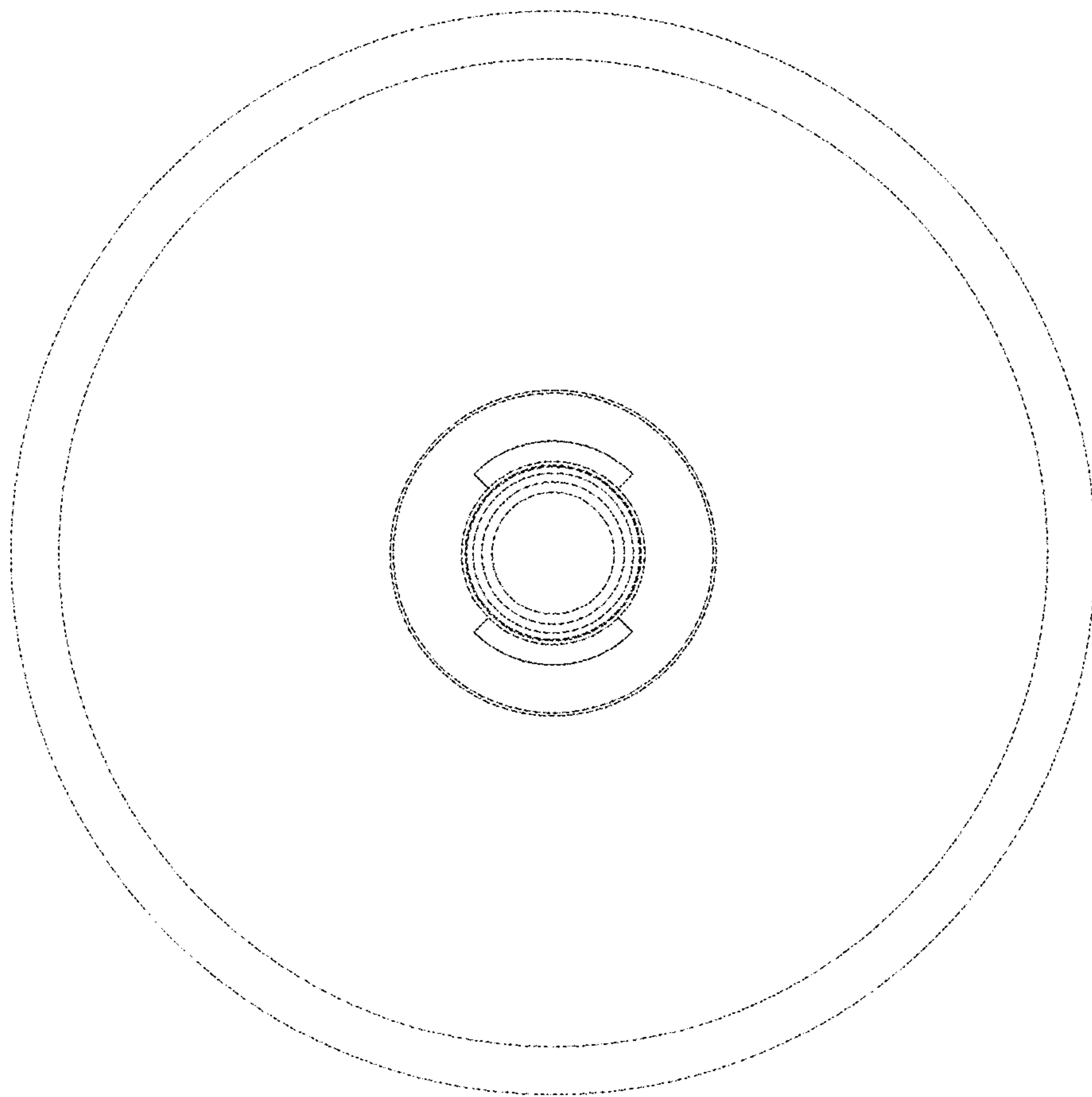


FIG. 6

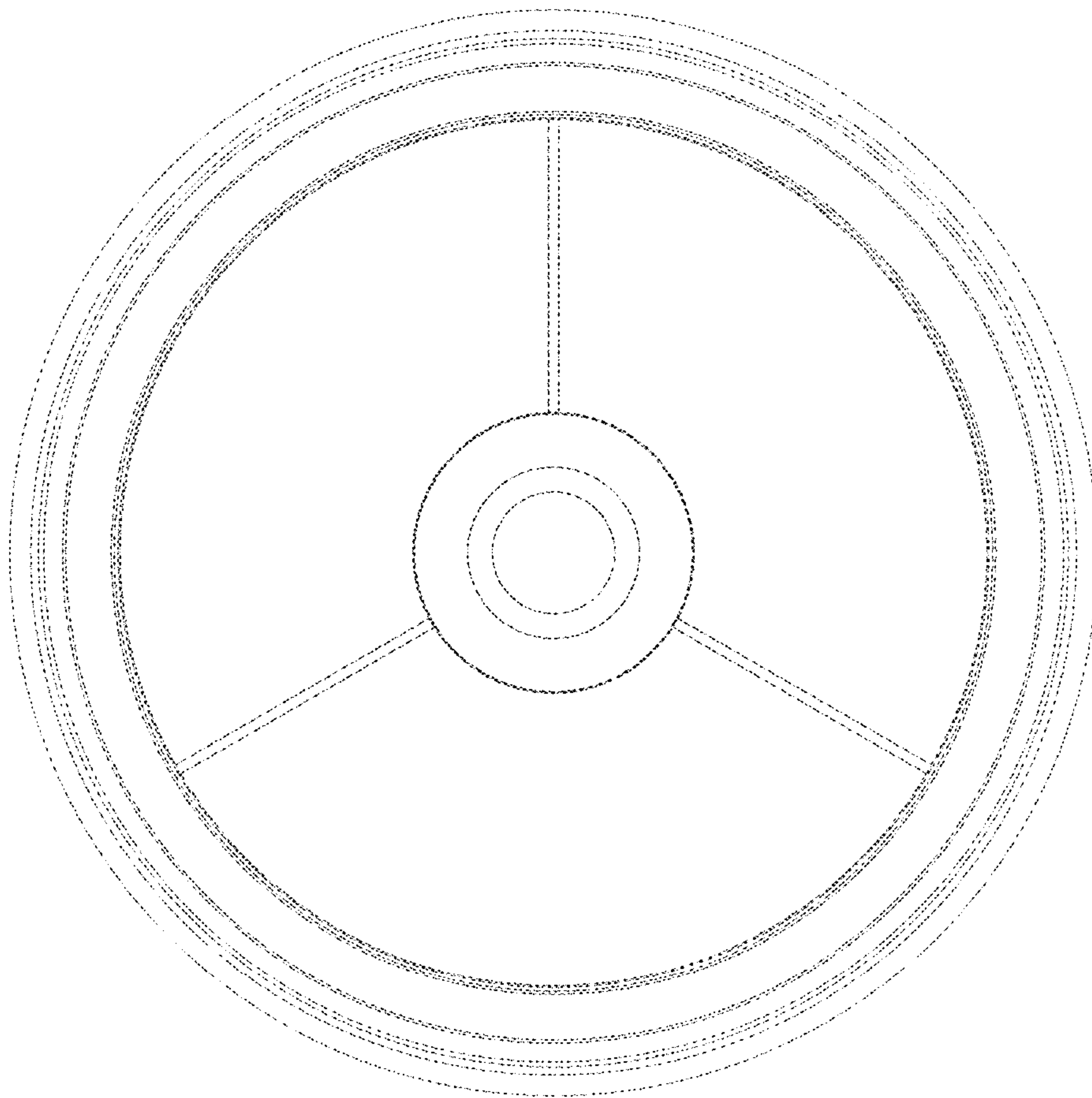


FIG. 7

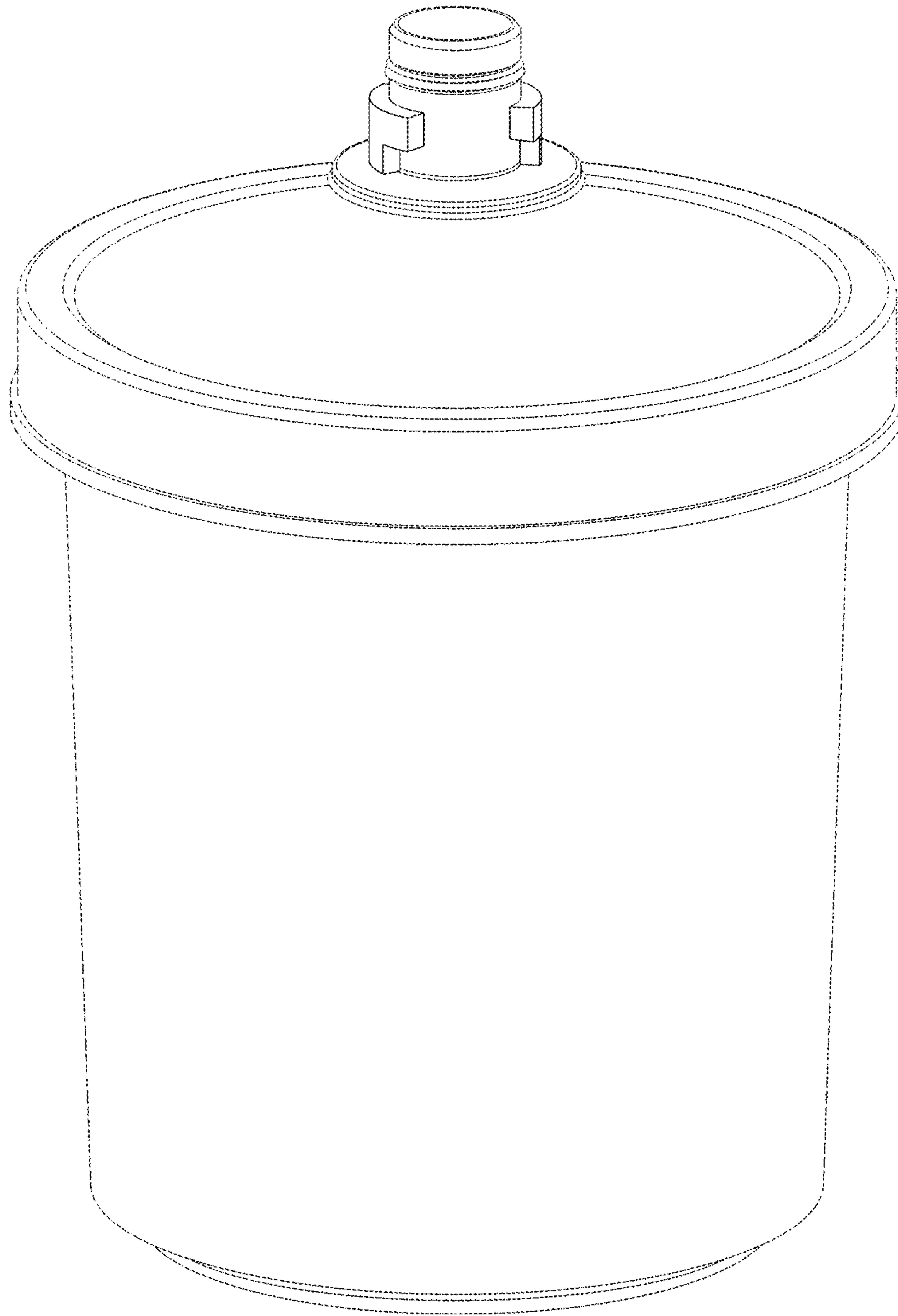


FIG. 8