



US00D916231S

(12) **United States Design Patent** (10) **Patent No.:** **US D916,231 S**  
**Xiao** (45) **Date of Patent:** **\*\* Apr. 13, 2021**

(54) **LID FOR SPRAY GUN**  
(71) Applicant: **QINGDAO HANBO PLASTIC TECHNOLOGY CO., LTD.**, Qingdao (CN)  
(72) Inventor: **Yun Xiao**, Jiaonan (CN)  
(73) Assignee: **QINGDAO HANBO PLASTIC TECHNOLOGY CO., LTD.**, Qingdao (CN)

6,595,441 B2 \* 7/2003 Petrie ..... B05B 7/2478  
239/345  
6,953,155 B2 \* 10/2005 Joseph ..... B05B 7/241  
222/105  
7,819,341 B2 \* 10/2010 Schmon ..... B05B 7/2408  
239/321

(Continued)

**FOREIGN PATENT DOCUMENTS**

IN 287208-0001 \* 9/2016

**OTHER PUBLICATIONS**

Full Box—50 Lids, 50 Liners, 1 Hard Cup, announced Sep. 7, 2018[online], [site visited Feb. 17, 2021], Available from internet, URL:<<https://www.amazon.com/Full-Box-Liners-Compare-Filters/dp/B07H5MXRKH>> (Year: 2018).\*

(Continued)

*Primary Examiner* — Barbara Fox  
*Assistant Examiner* — Jamaal Rasheed  
(74) *Attorney, Agent, or Firm* — SZDC Law P.C.

(57) **CLAIM**

The ornamental design for a lid for spray gun, as shown and described.

**DESCRIPTION**

FIG. 1 is a front perspective view of the lid for a spray gun; FIG. 2 is a front view thereof; FIG. 3 is a back view thereof; FIG. 4 is a left view thereof; FIG. 5 is a right view thereof; FIG. 6 is a top view thereof; FIG. 7 is a bottom view thereof; and, FIG. 8 is a perspective view of the lid assembled along with other components of the spray gun. The broken lines shown in the drawings depict portions of the lid for spray gun that form no part of the claimed design. The broken line showing of the spray gun cup in FIG. 8 forms no part of the claimed design.

**1 Claim, 8 Drawing Sheets**

(\*\*) **Term:** **15 Years**

(21) **Appl. No.:** **29/696,207**

(22) **Filed:** **Jun. 26, 2019**

(30) **Foreign Application Priority Data**

Jun. 4, 2019 (CN) ..... 201930286524.5

(51) **LOC (13) Cl.** ..... **23-01**

(52) **U.S. Cl.**  
USPC ..... **D23/202**

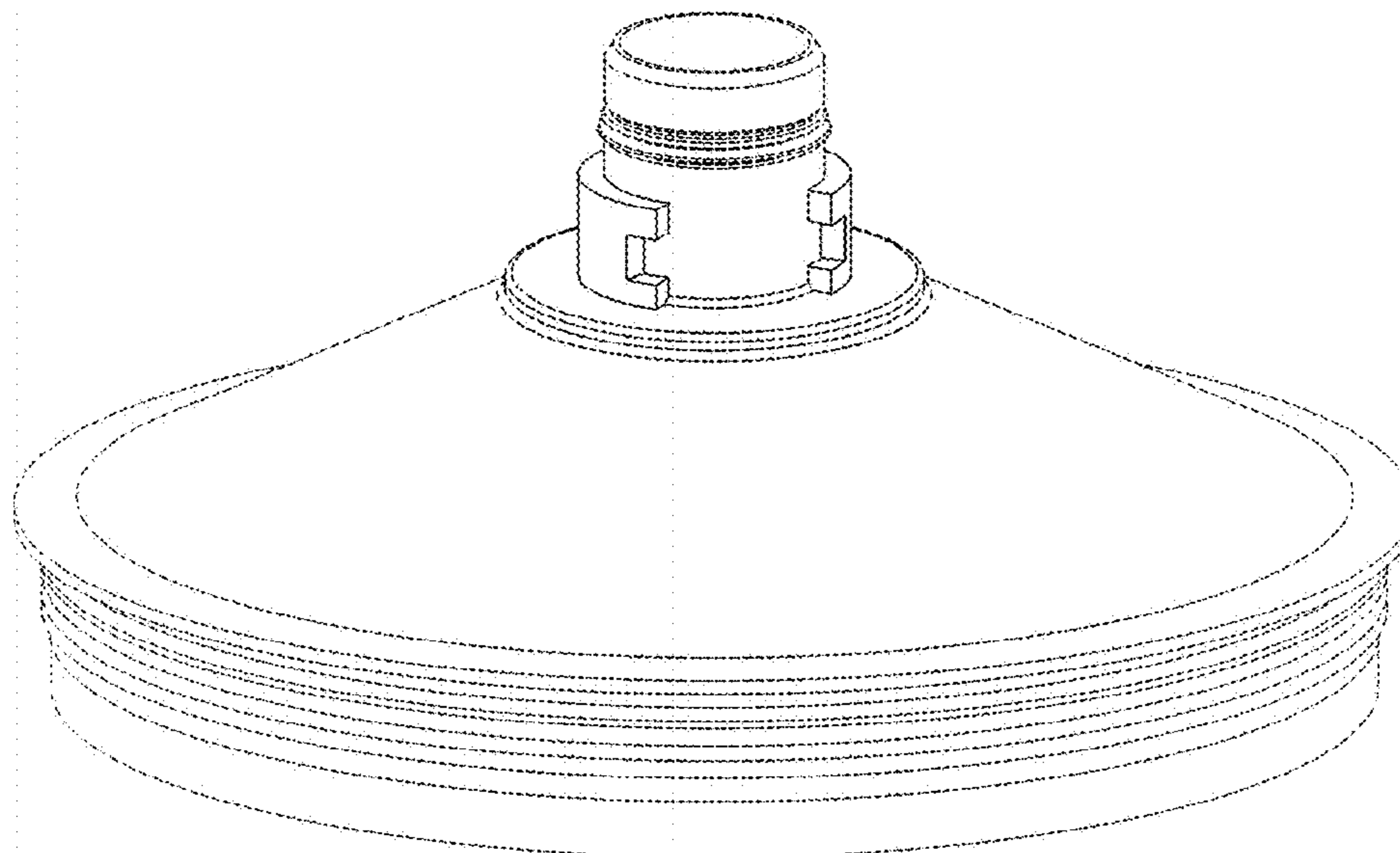
(58) **Field of Classification Search**  
USPC ..... D23/202, 207–208, 225; D3/272  
CPC .... B05B 7/24; B05B 9/03; B05B 1/00; B65D  
47/06; B65D 25/16

See application file for complete search history.

(56) **References Cited**

**U.S. PATENT DOCUMENTS**

3,144,507 A \* 8/1964 Scadron ..... H01R 4/021  
174/84 R  
4,807,786 A \* 2/1989 Gueret ..... B65D 41/185  
222/499  
5,553,854 A \* 9/1996 Rum ..... A63F 3/00097  
273/267



(56)

**References Cited**

U.S. PATENT DOCUMENTS

7,823,806 B2 \* 11/2010 Schmon ..... F16L 37/252  
 239/600  
 D644,803 S \* 9/2011 Schmon ..... D32/54  
 D692,530 S \* 10/2013 Gehrung ..... D23/225  
 9,259,960 B1 \* 2/2016 Tepsi ..... B44D 3/12  
 D793,530 S \* 8/2017 Hegdahl ..... D23/225  
 9,815,076 B2 \* 11/2017 Schulz ..... B05B 7/2478  
 10,688,511 B2 \* 6/2020 Hegdahl ..... B05B 7/2408  
 10,689,165 B2 \* 6/2020 Hegdahl ..... B05B 11/0038  
 10,710,105 B2 \* 7/2020 Li ..... B65D 25/14  
 D899,559 S \* 10/2020 Oh ..... D23/207  
 10,857,553 B2 \* 12/2020 Nyaribo ..... B05B 7/2408  
 2007/0269341 A1 \* 11/2007 Halverson ..... G01N 1/34  
 422/400  
 2008/0179763 A1 \* 7/2008 Schmon ..... B05B 7/2478  
 261/72.1

2009/0014557 A1 \* 1/2009 Schmon ..... B05B 7/2478  
 239/302  
 2009/0078789 A1 \* 3/2009 Kruse ..... B05B 7/2478  
 239/345  
 2012/0000992 A1 \* 1/2012 Shih ..... B05B 7/2408  
 239/302  
 2012/0291890 A1 \* 11/2012 Pan ..... B05B 15/40  
 137/544  
 2015/0108135 A1 \* 4/2015 Hanna ..... B05B 7/2408  
 220/495.06  
 2019/0009289 A1 \* 1/2019 Pitera ..... B05B 7/2478

OTHER PUBLICATIONS

3M 16114 Liner Kit Cup Paint Spray, announced Feb. 6, 2007[online],  
 [site visited Feb. 17, 2021], Available from internet, URL:< <https://www.amazon.com/3M-16114-Liner-Paint-Spray/dp/B000N9Q79Q>> (Year: 2007).\*

\* cited by examiner

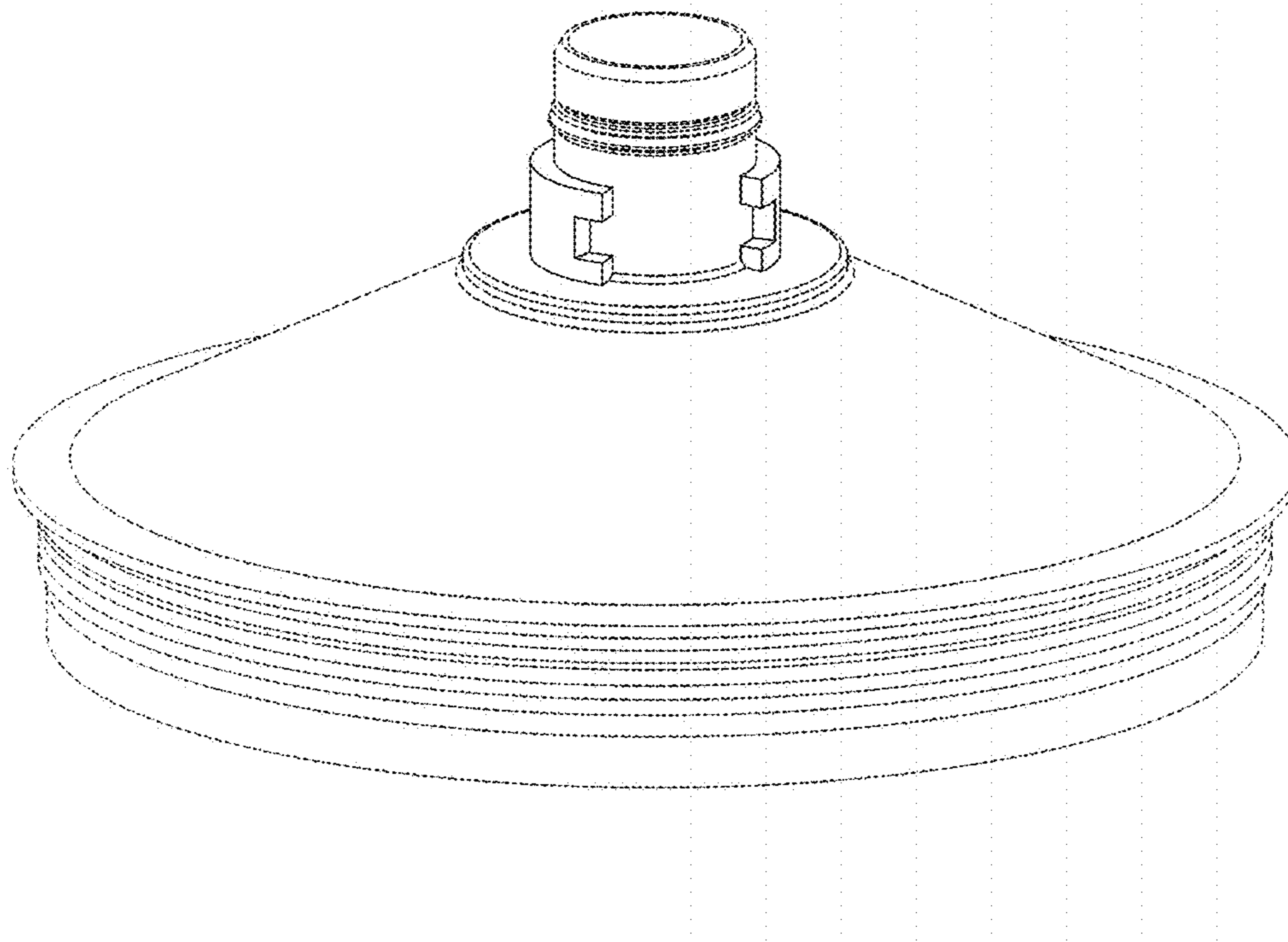


FIG. 1

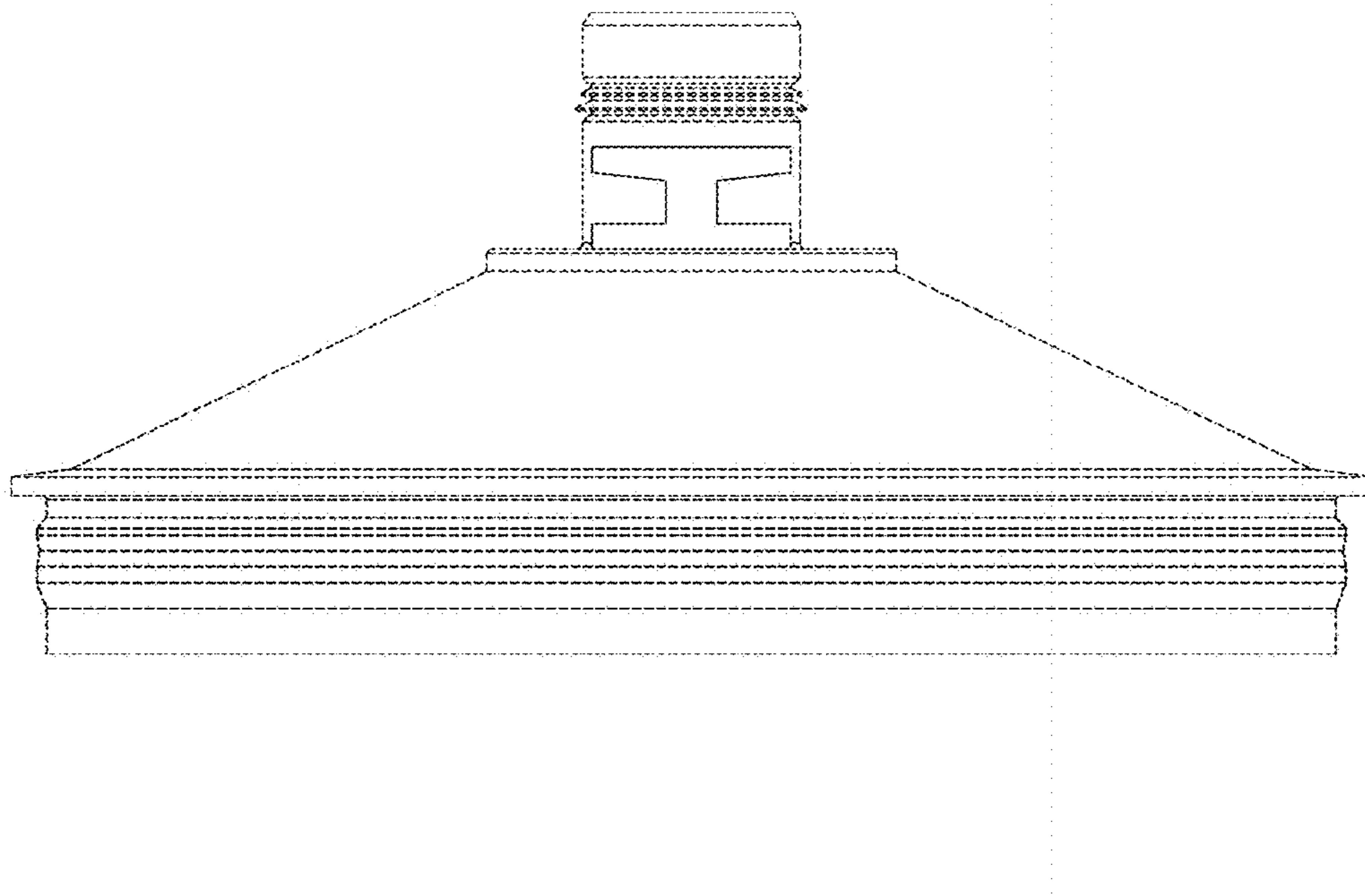
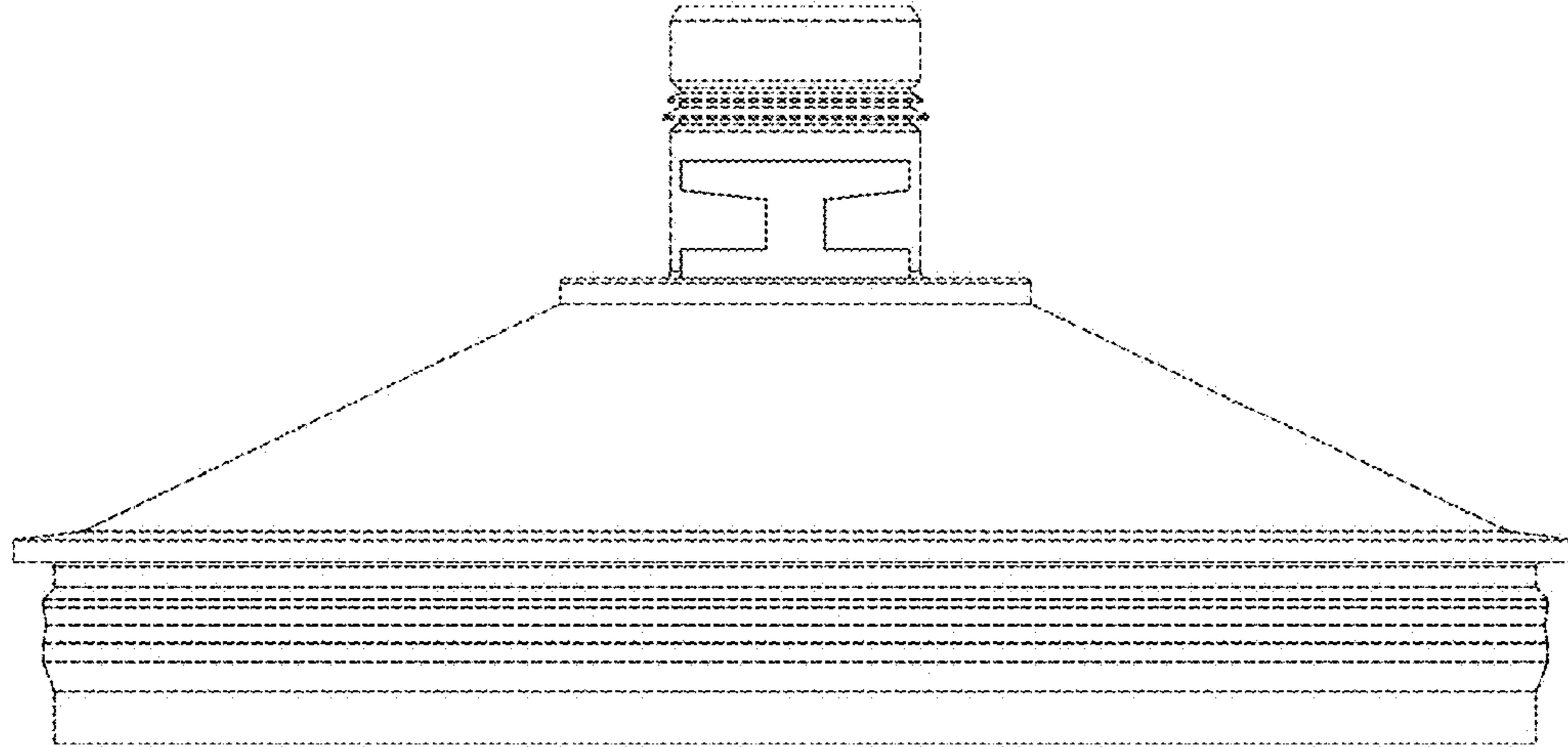


FIG. 2



*FIG. 3*

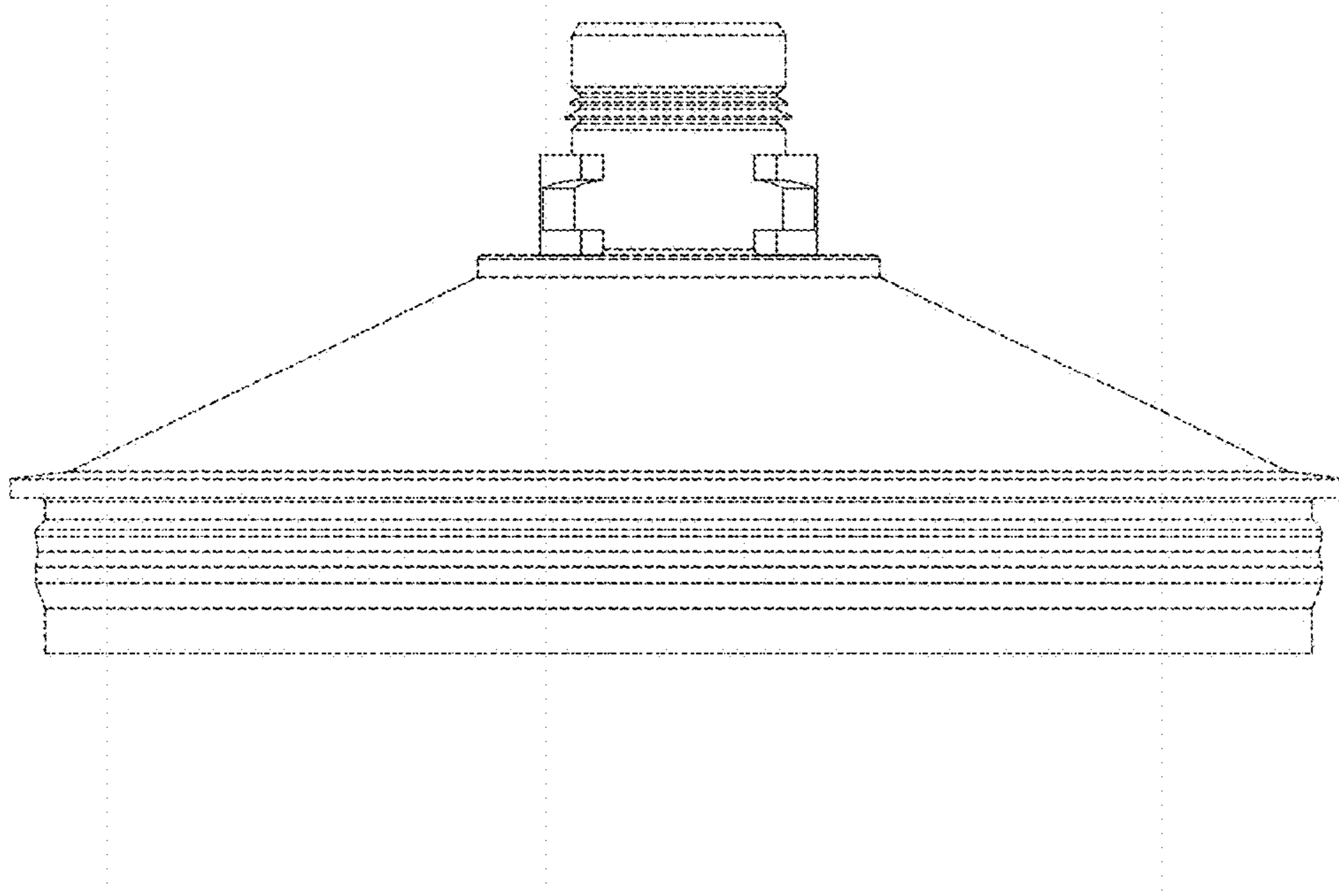


FIG. 4

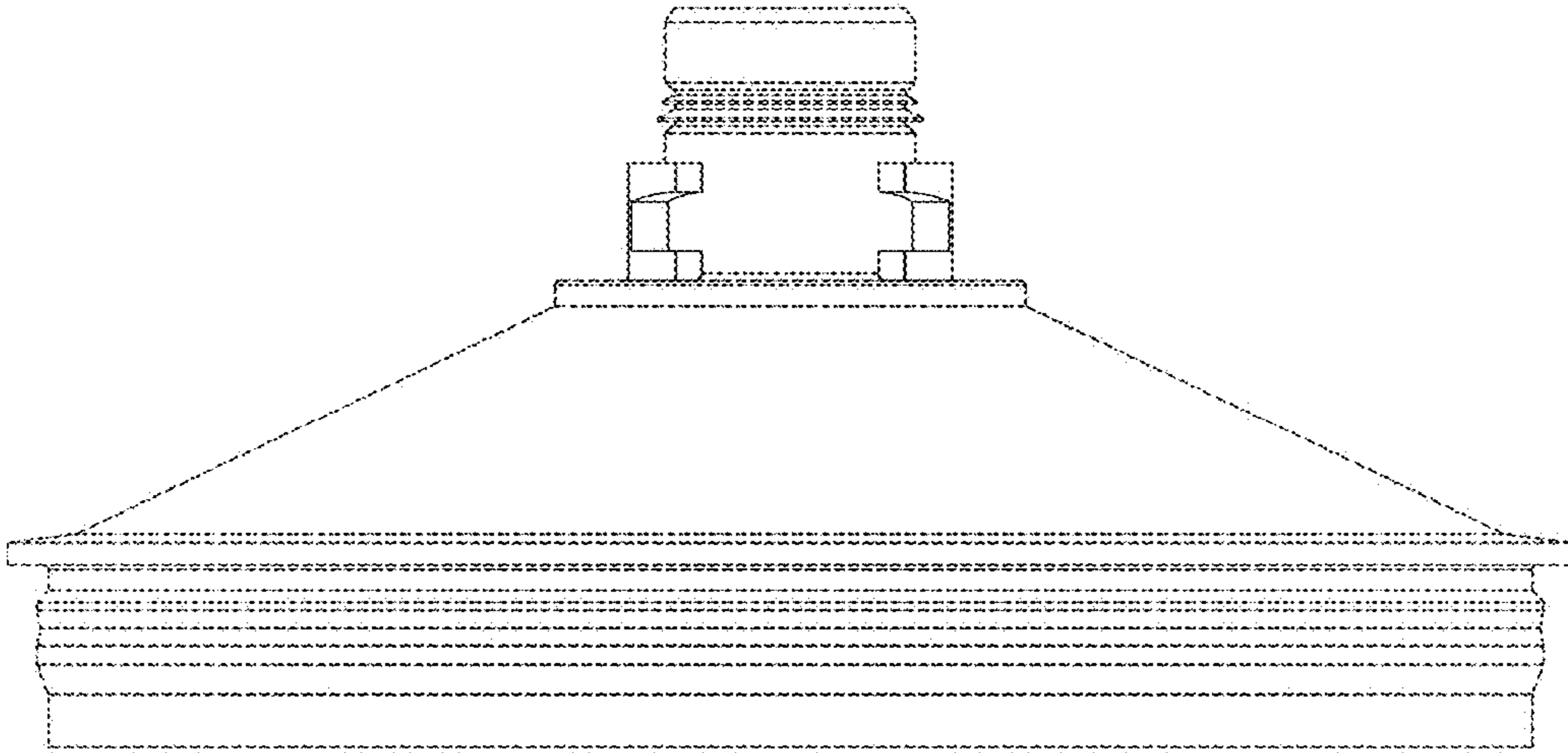
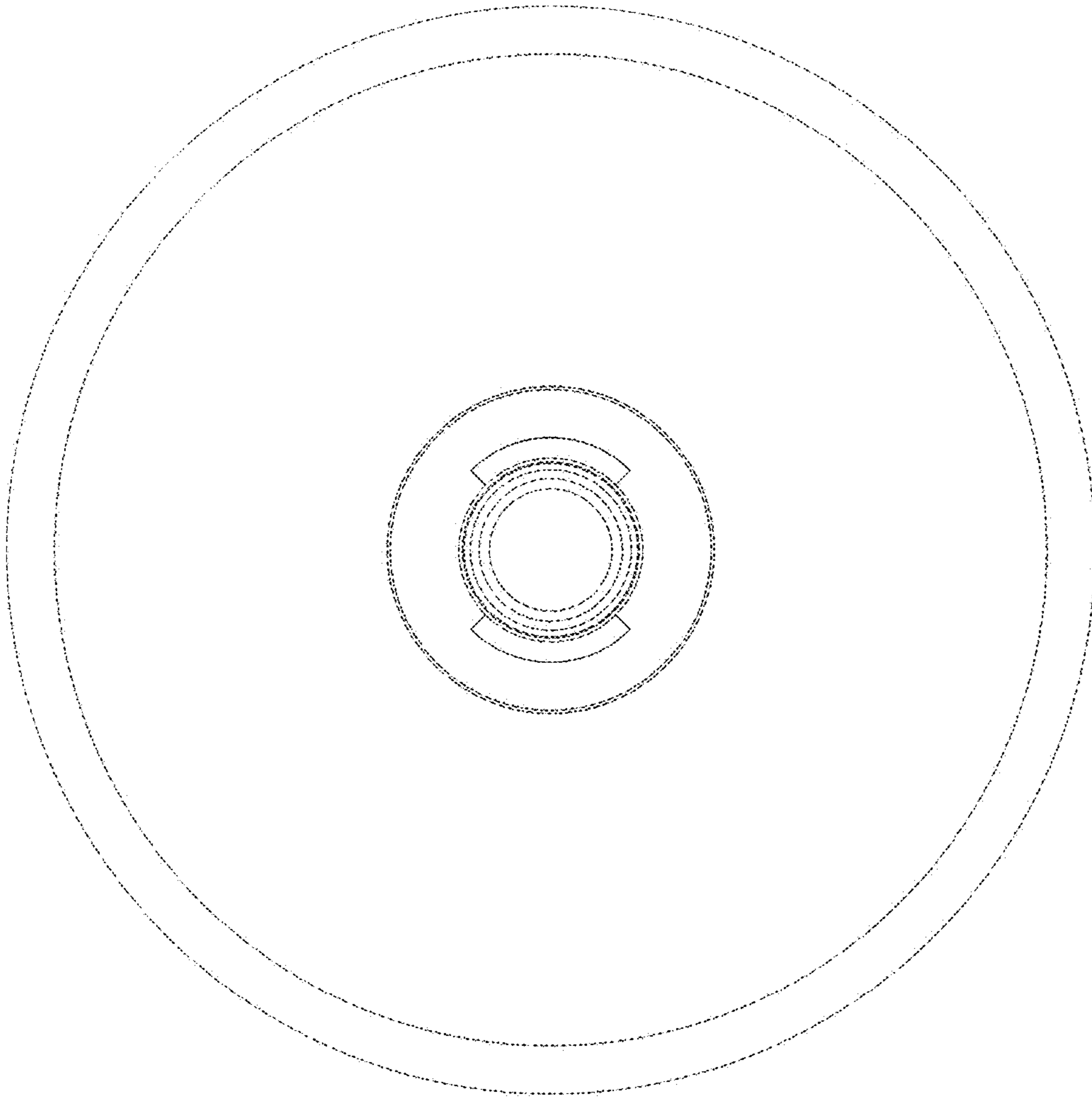


FIG. 5



*FIG. 6*



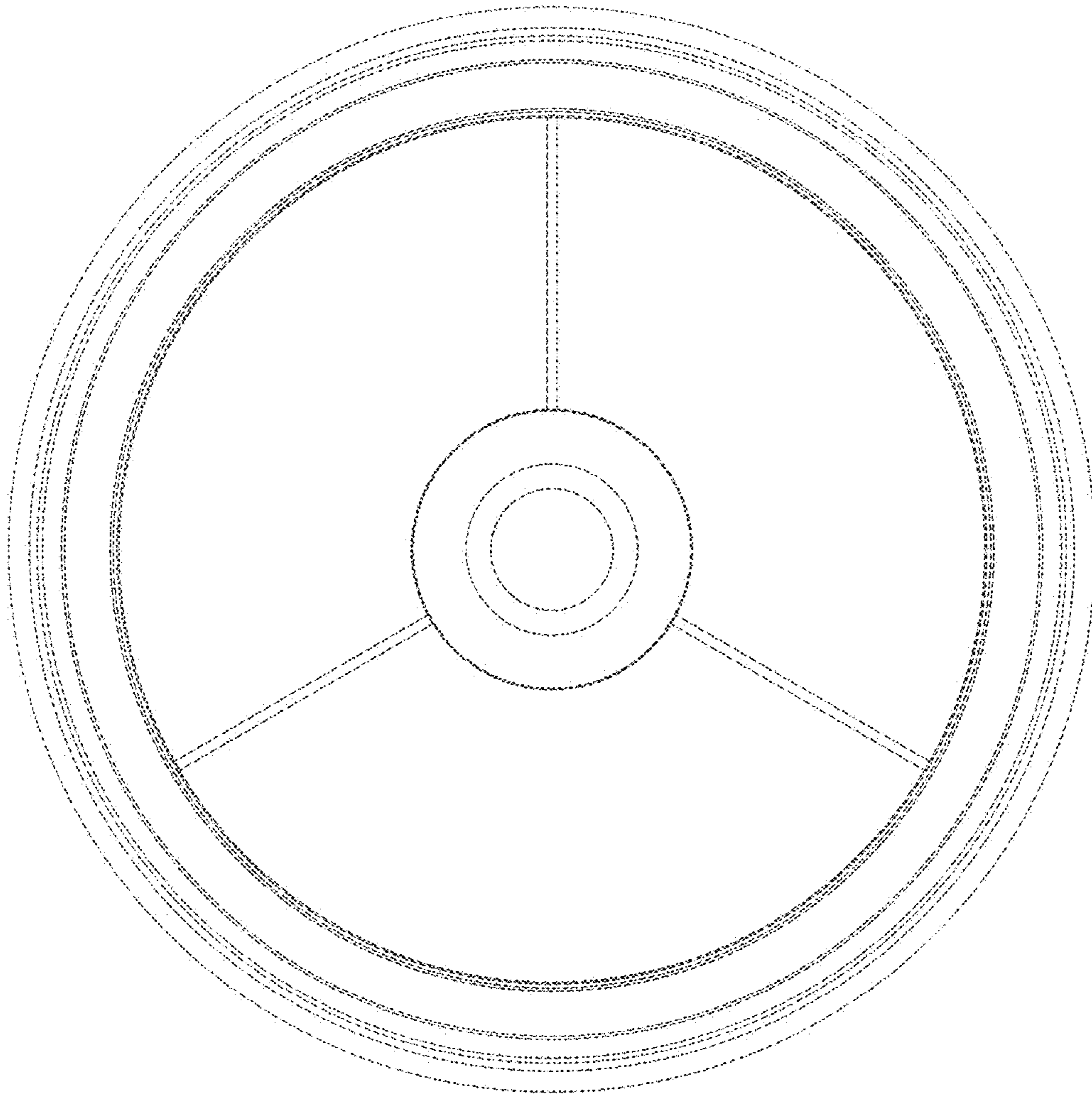


FIG. 7

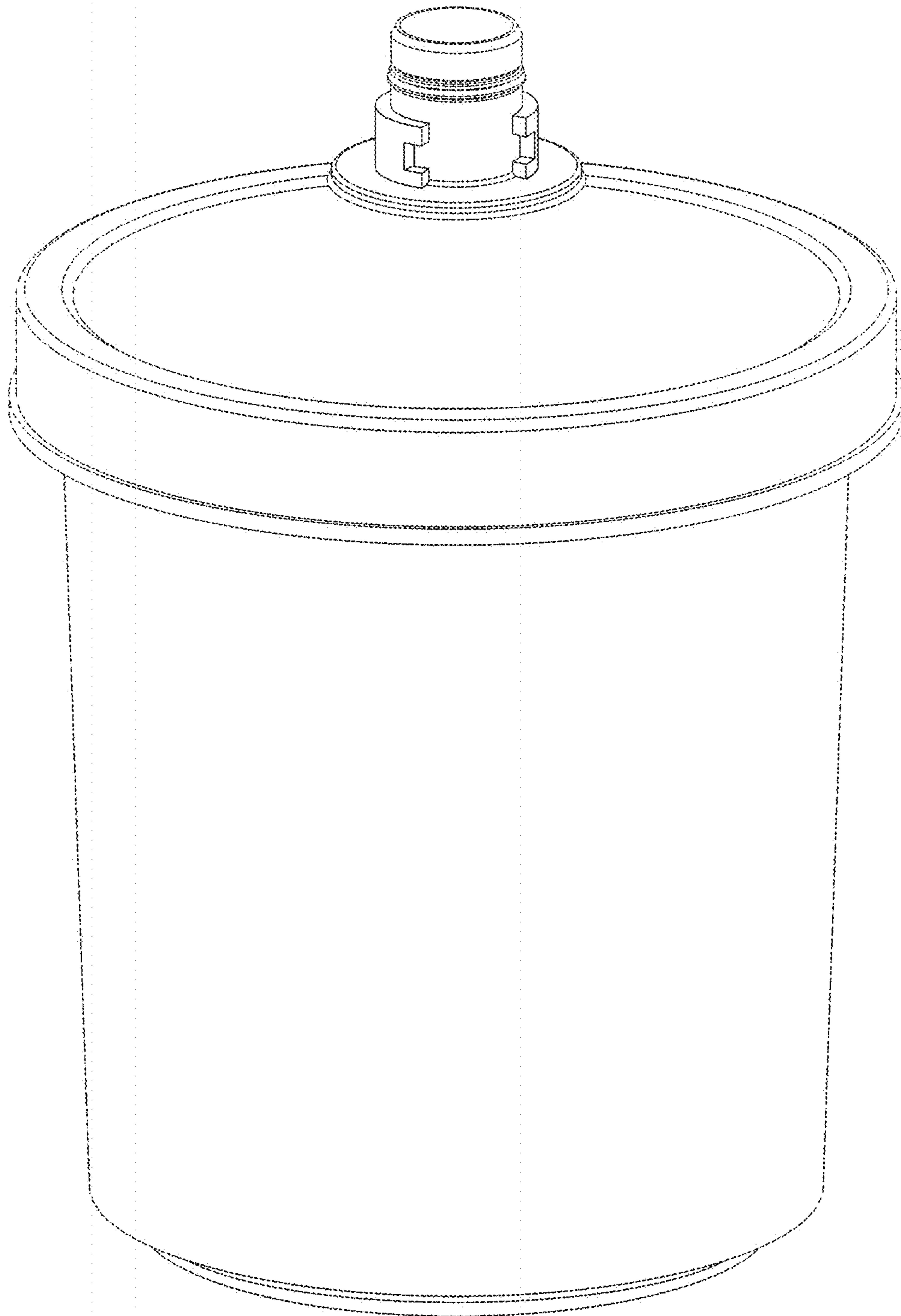


FIG. 8