



US00D916230S

(12) **United States Design Patent** (10) **Patent No.:** **US D916,230 S**  
**Umezawa et al.** (45) **Date of Patent:** **\*\* Apr. 13, 2021**

(54) **FISHING REEL**

(56) **References Cited**

(71) Applicant: **GLOBERIDE, Inc.**, Tokyo (JP)

U.S. PATENT DOCUMENTS

(72) Inventors: **Yuuichi Umezawa**, Tokyo (JP);  
**Makoto Tomita**, Tokyo (JP); **Eichi Mayuzumi**, Tokyo (JP)

D718,409 S *	11/2014	Asaba .....	D22/140
D724,173 S *	3/2015	Asaba .....	D22/140
D767,084 S *	9/2016	Niitsuma .....	D22/140
D873,951 S *	1/2020	Cui .....	D22/140
2016/0165867 A1 *	6/2016	Hyun .....	A01K 89/01121 242/310

(73) Assignee: **GLOBERIDE, Inc.**, Tokyo (JP)

\* cited by examiner

(\*\*) Term: **15 Years**

*Primary Examiner* — Catherine R Oliver-Garcia

(21) Appl. No.: **29/728,674**

(74) *Attorney, Agent, or Firm* — DLA Piper LLP (US)

(22) Filed: **Mar. 20, 2020**

(57) **CLAIM**

(30) **Foreign Application Priority Data**

The ornamental design for a fishing reel, as shown and described.

Nov. 22, 2019 (JP) ..... 2019-025949

**DESCRIPTION**

(51) **LOC (13) Cl.** ..... **22-05**

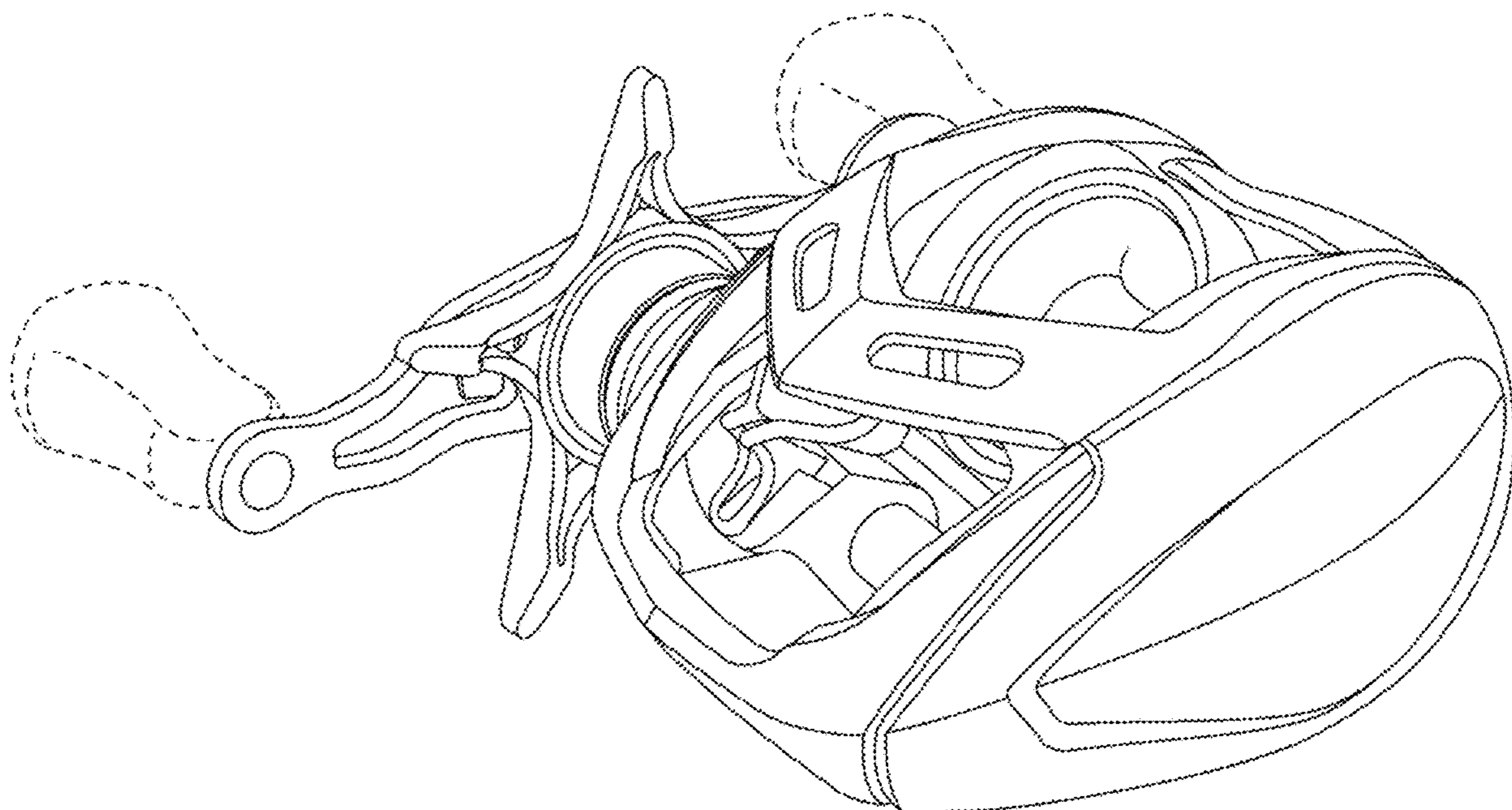
(52) **U.S. Cl.**  
USPC ..... **D22/140**

(58) **Field of Classification Search**  
USPC ..... D22/137-142; 43/19-22; 242/223-224,  
242/234-240, 255, 310-312, 314-315,  
242/318, 322, 370  
CPC ..... A01K 89/00; A01K 89/0183; A01K  
89/0192; A01K 89/01121; A01K 89/09;  
A01K 89/004; A01K 89/006; A01K  
89/015

FIG. 1 is a top, front, right side perspective view of a fishing reel showing our new design;  
FIG. 2 is a top, front, left side perspective view thereof;  
FIG. 3 is a top, rear, left side perspective view thereof;  
FIG. 4 is a left side elevational view thereof;  
FIG. 5 is a right side elevational view thereof;  
FIG. 6 is a top plan view thereof;  
FIG. 7 is a bottom plan view thereof;  
FIG. 8 is a front elevational view thereof; and,  
FIG. 9 is a rear elevational view thereof.

See application file for complete search history.

**1 Claim, 9 Drawing Sheets**



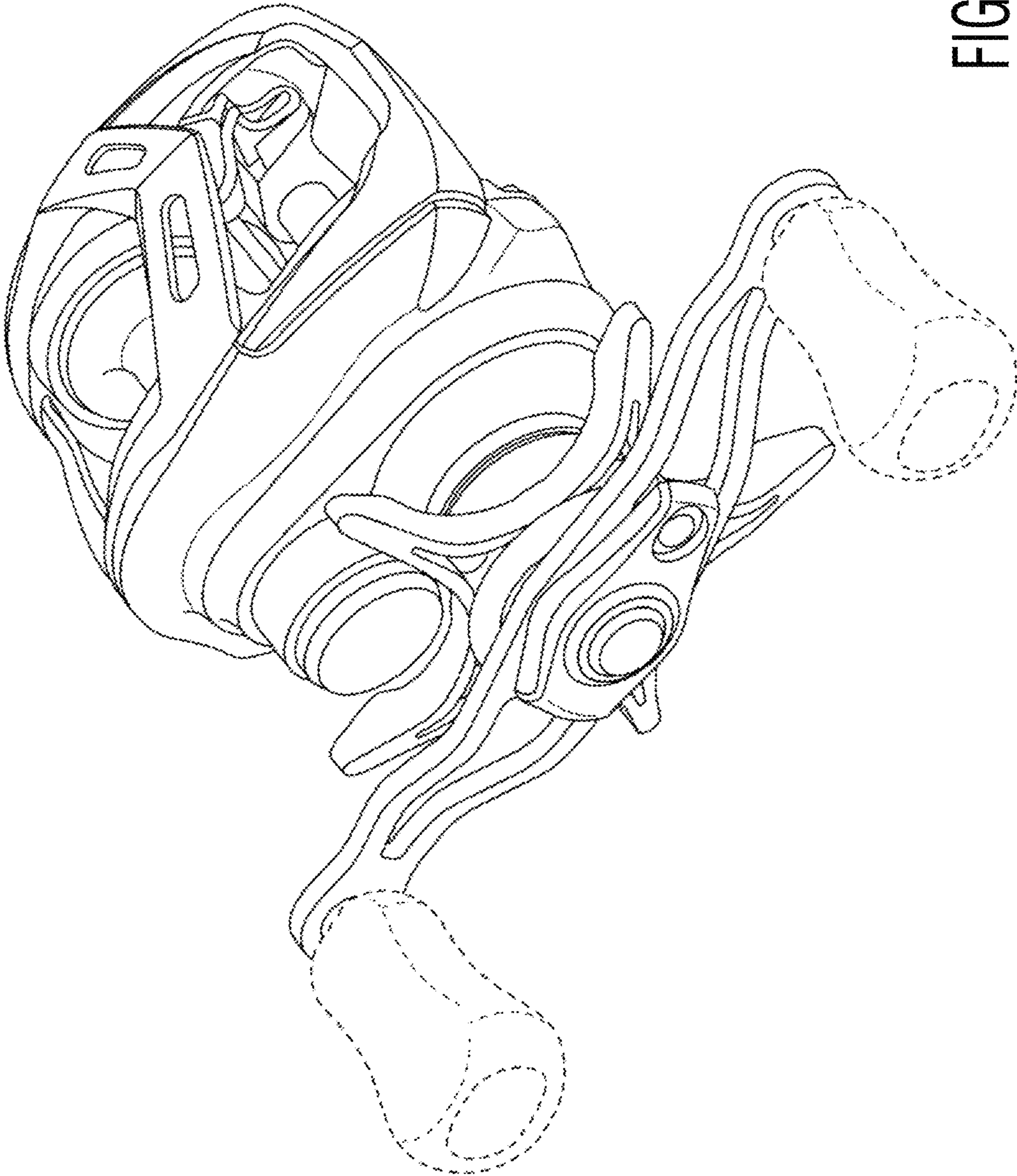


FIG. 1

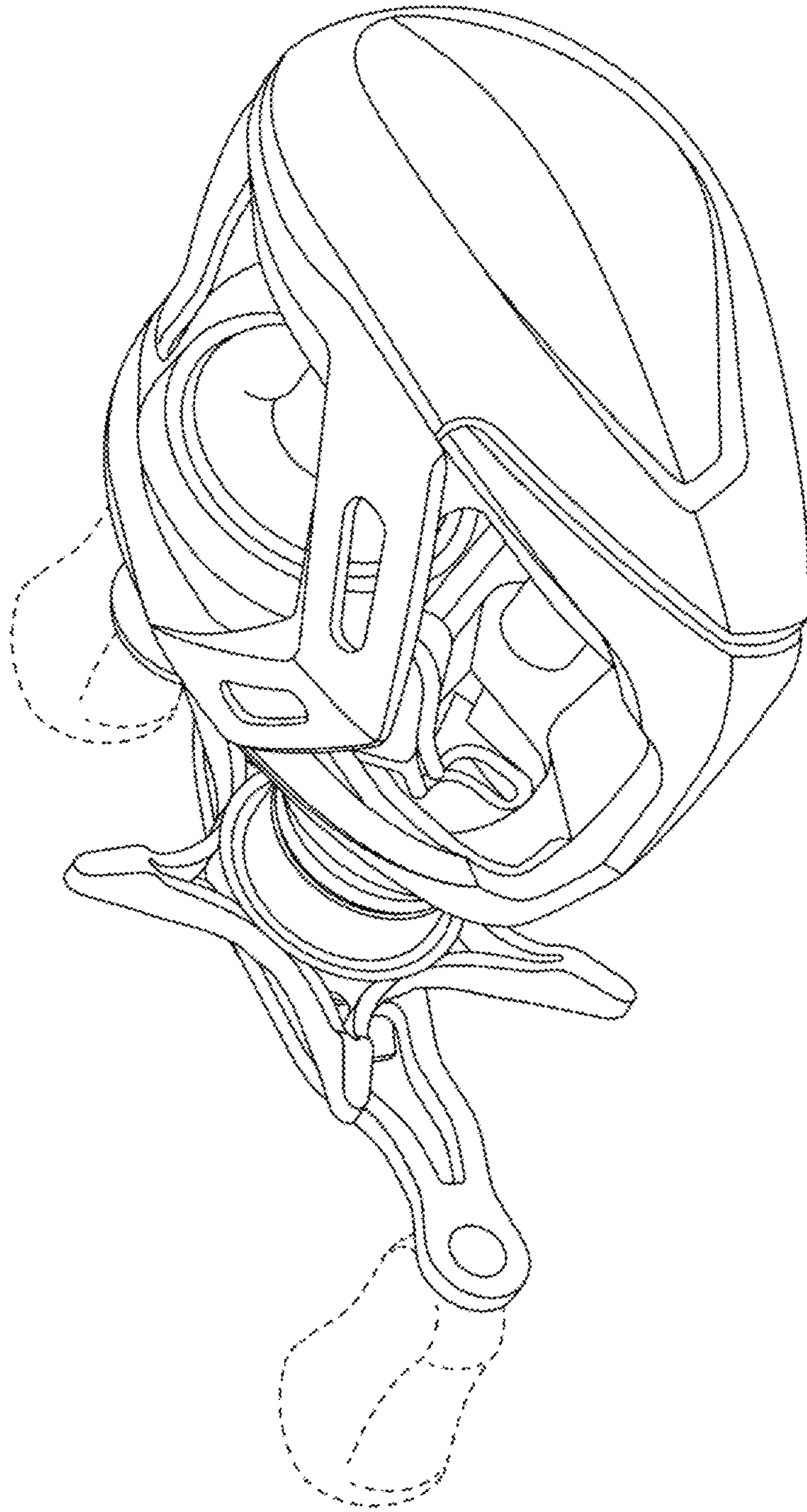


FIG. 2

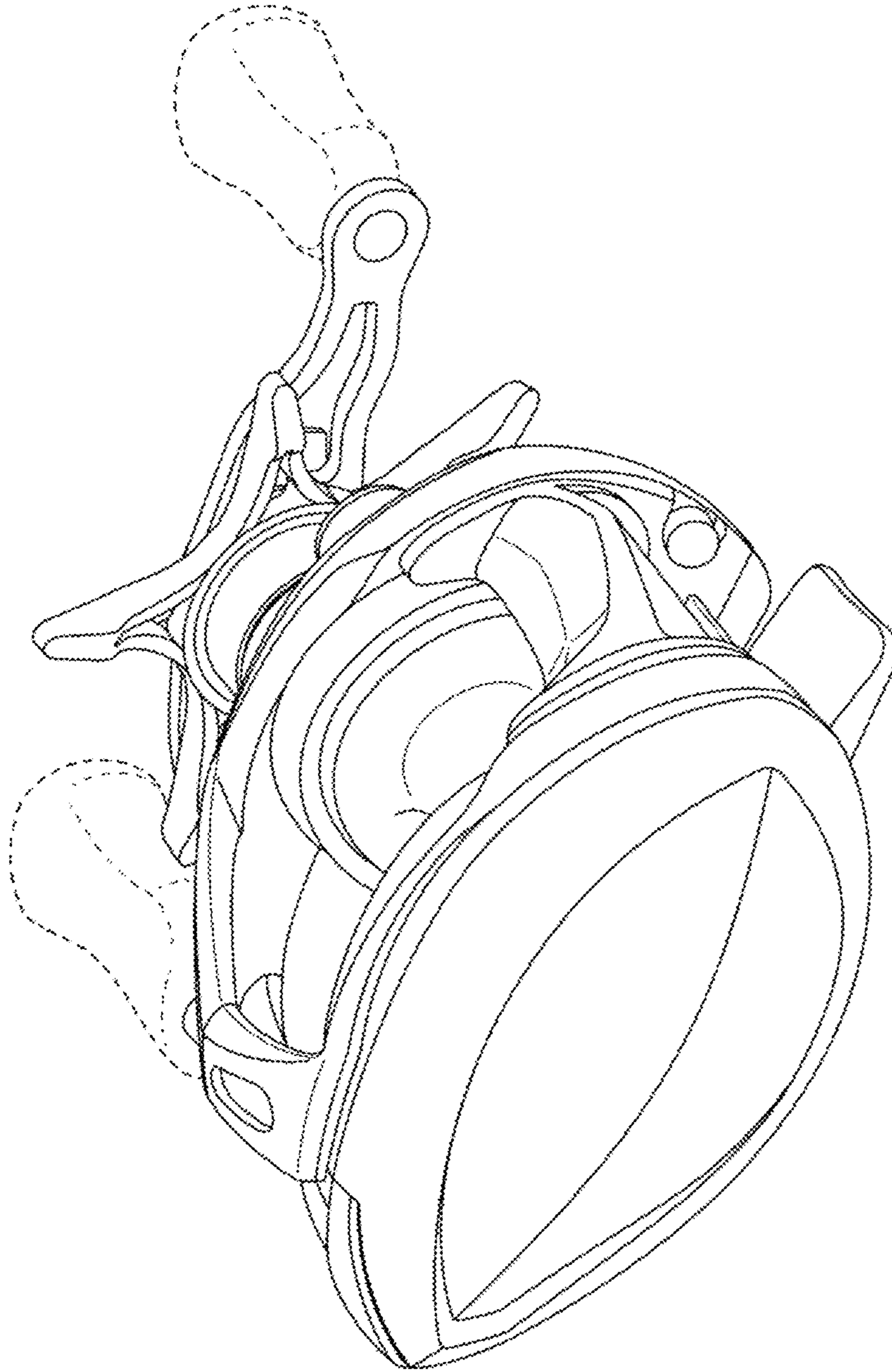


FIG. 3

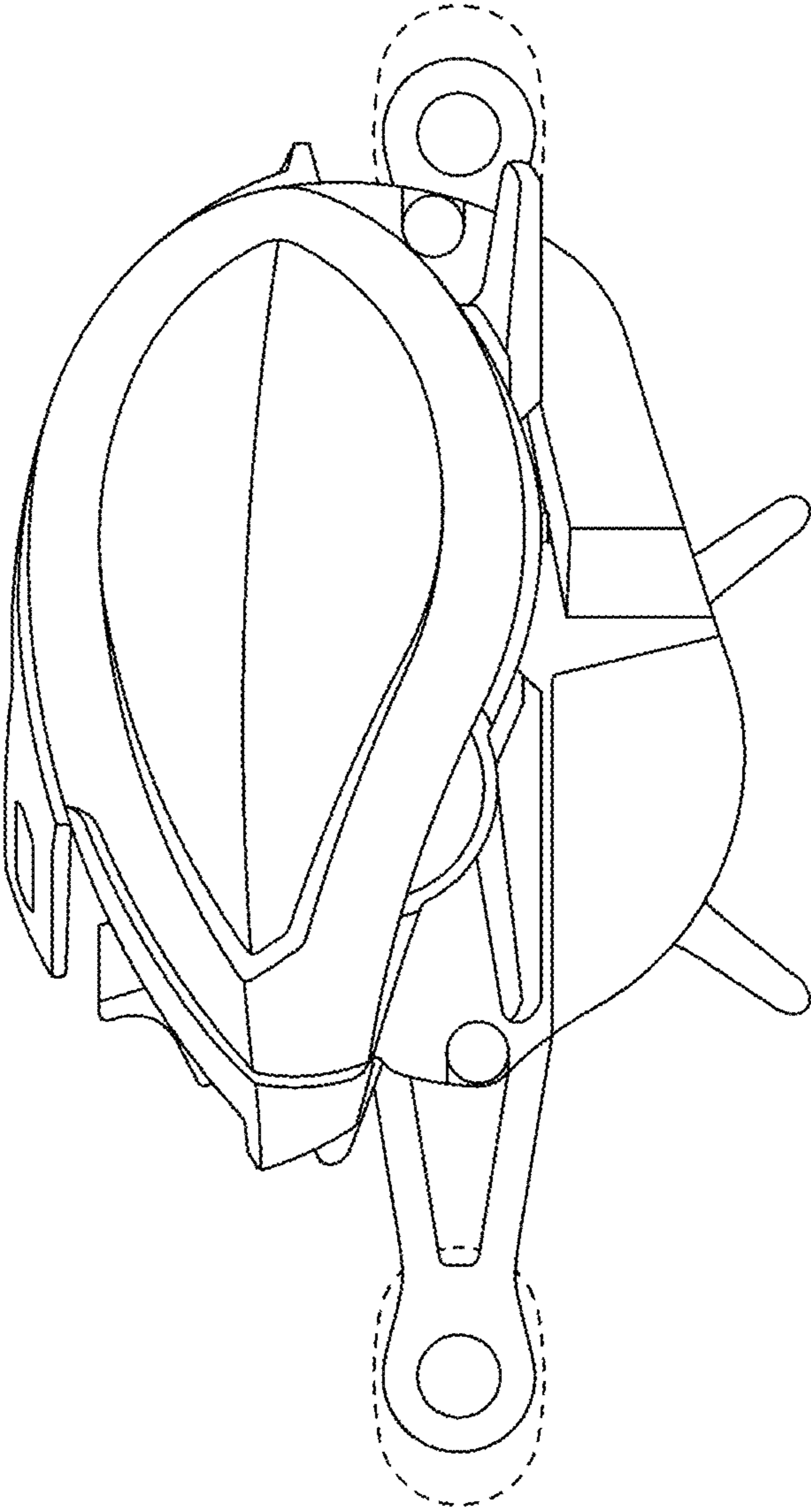


FIG. 4

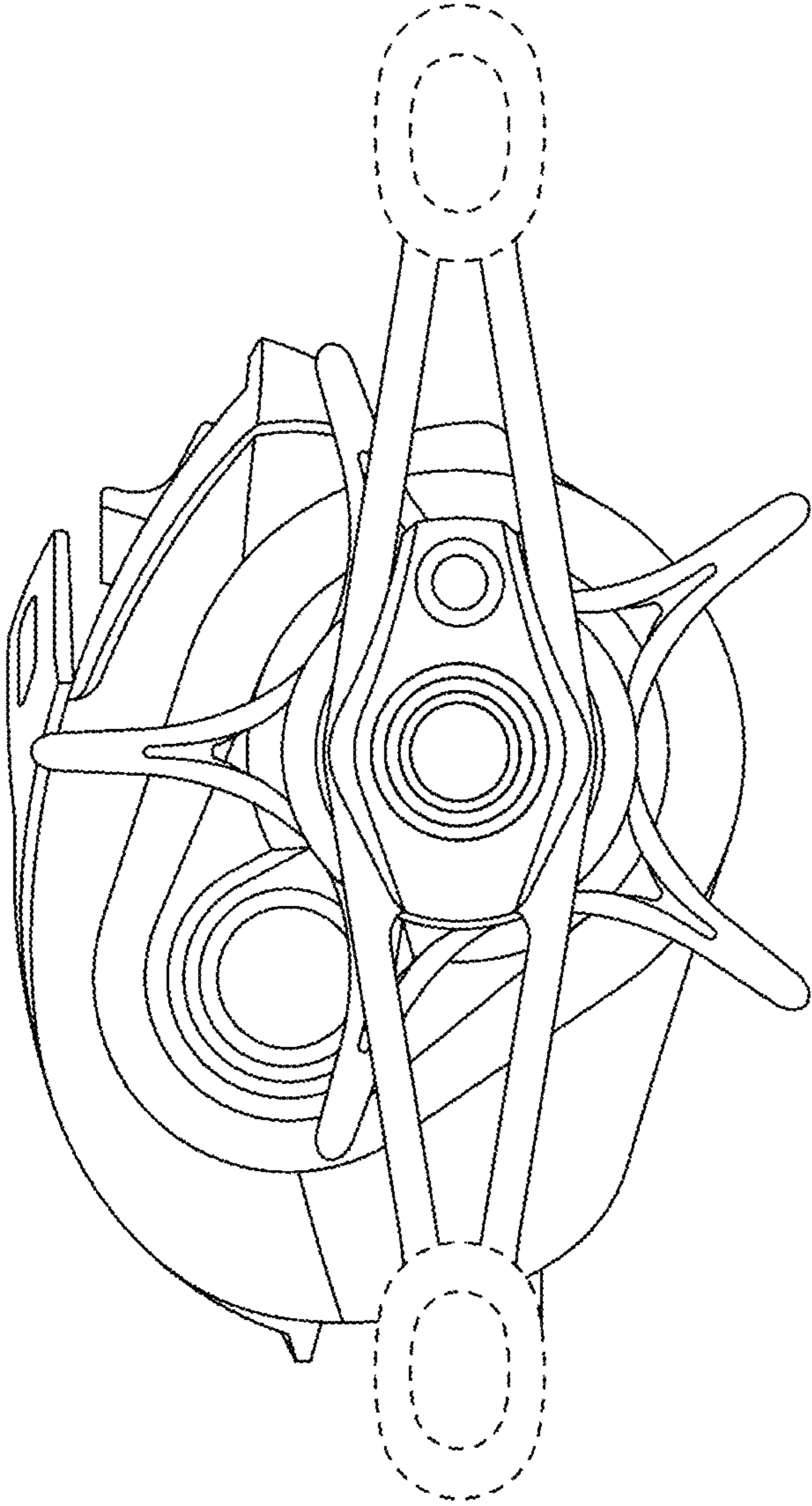


FIG. 5

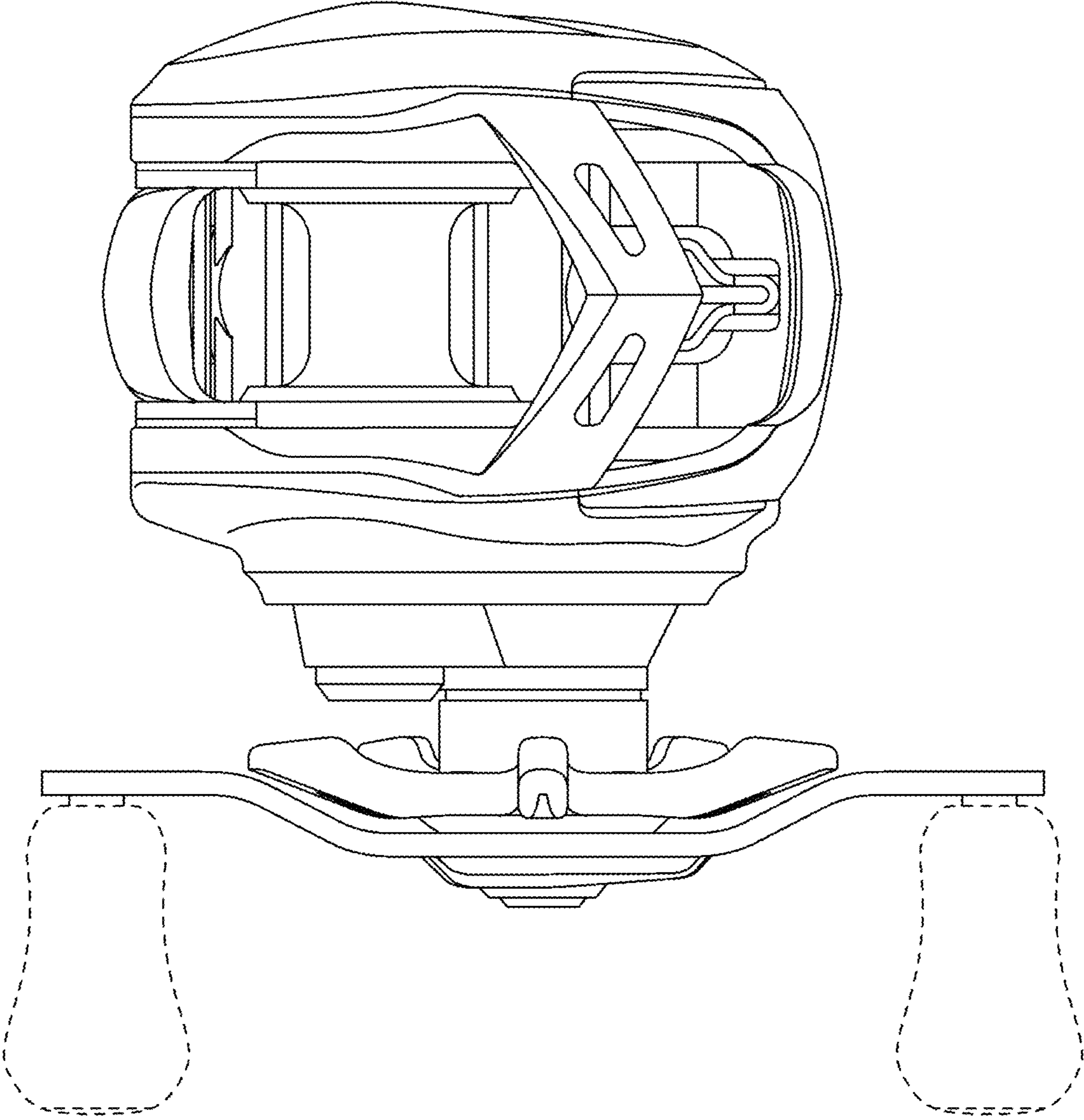


FIG. 6

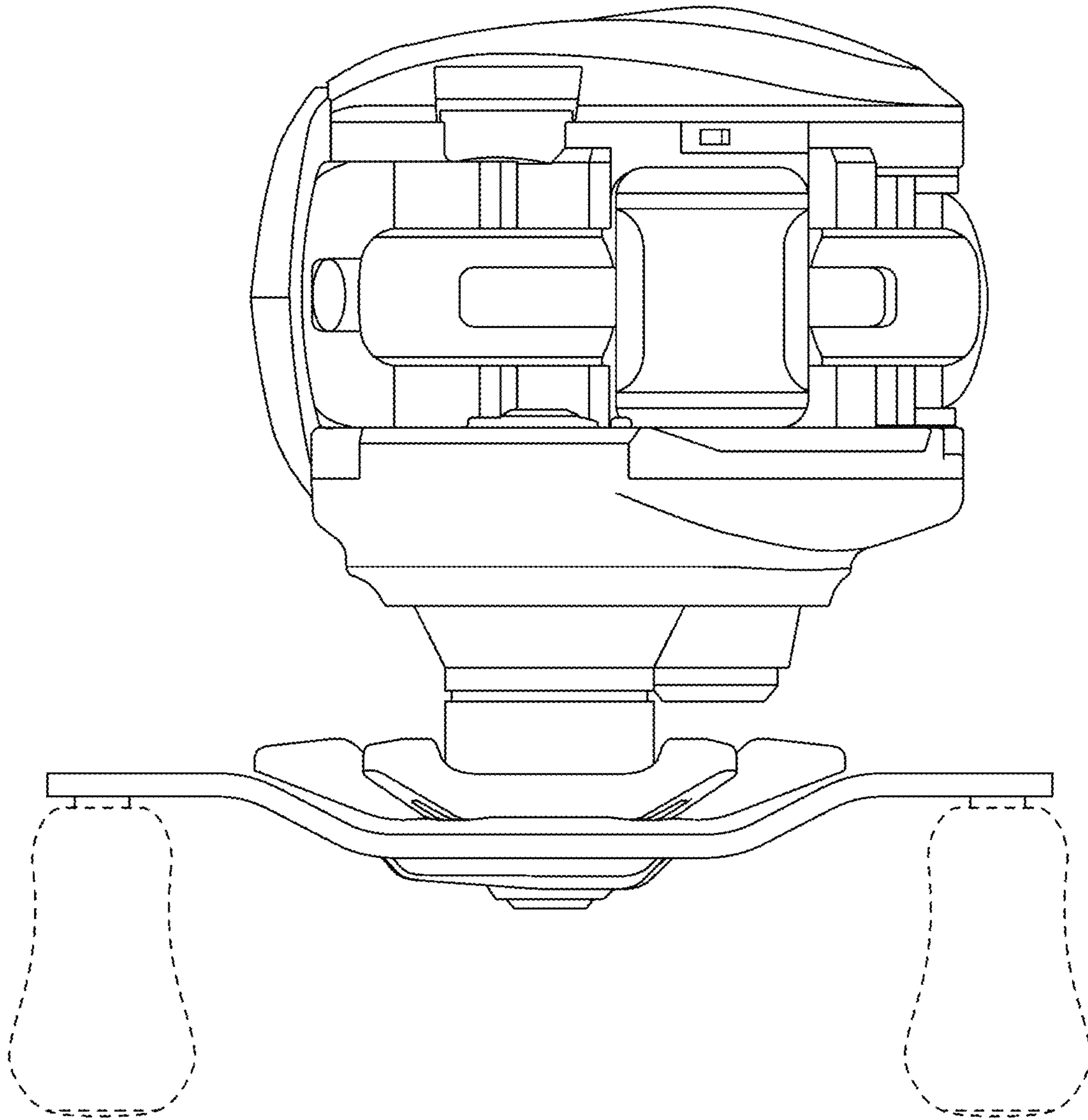


FIG. 7



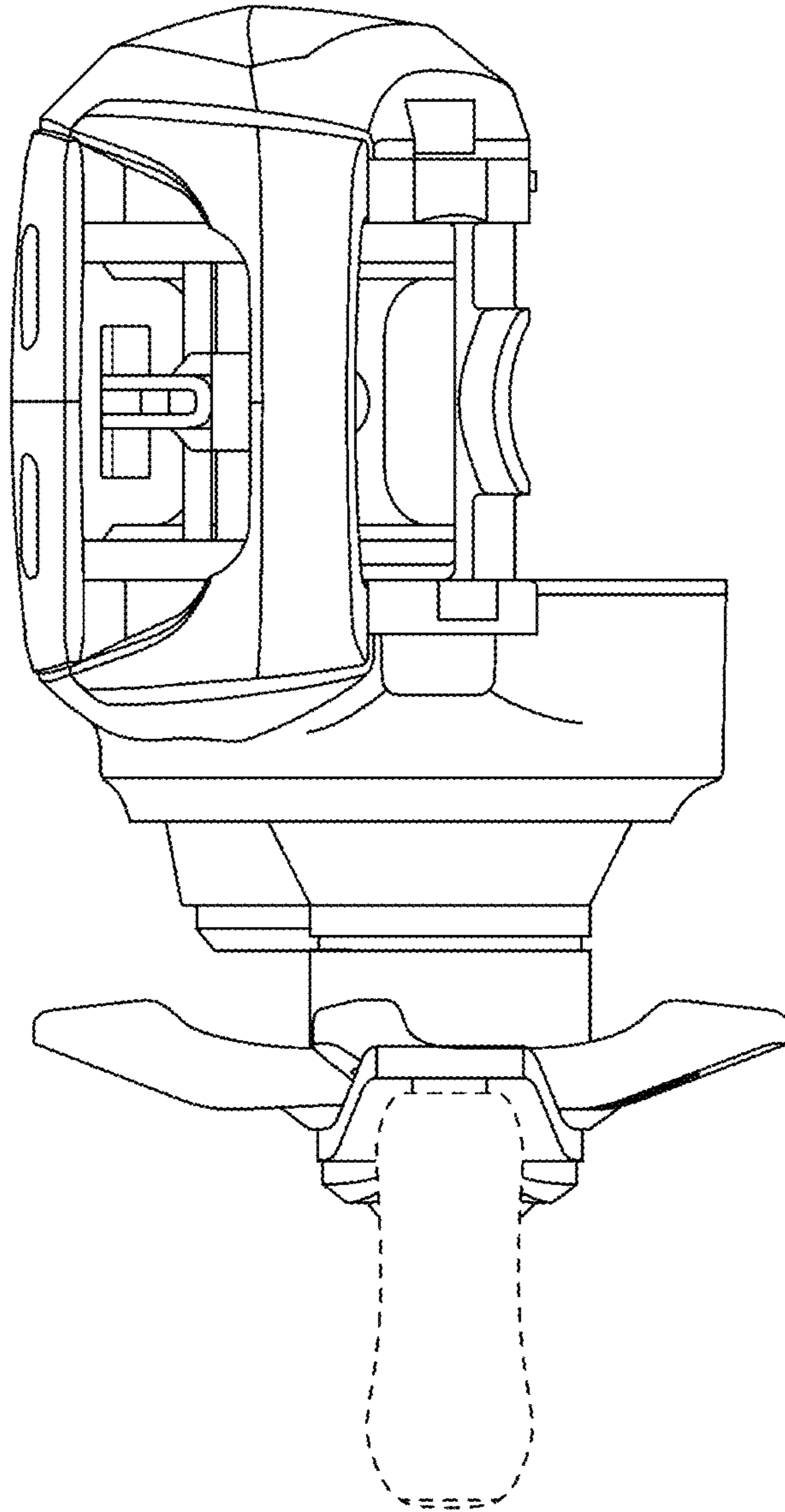


FIG. 8

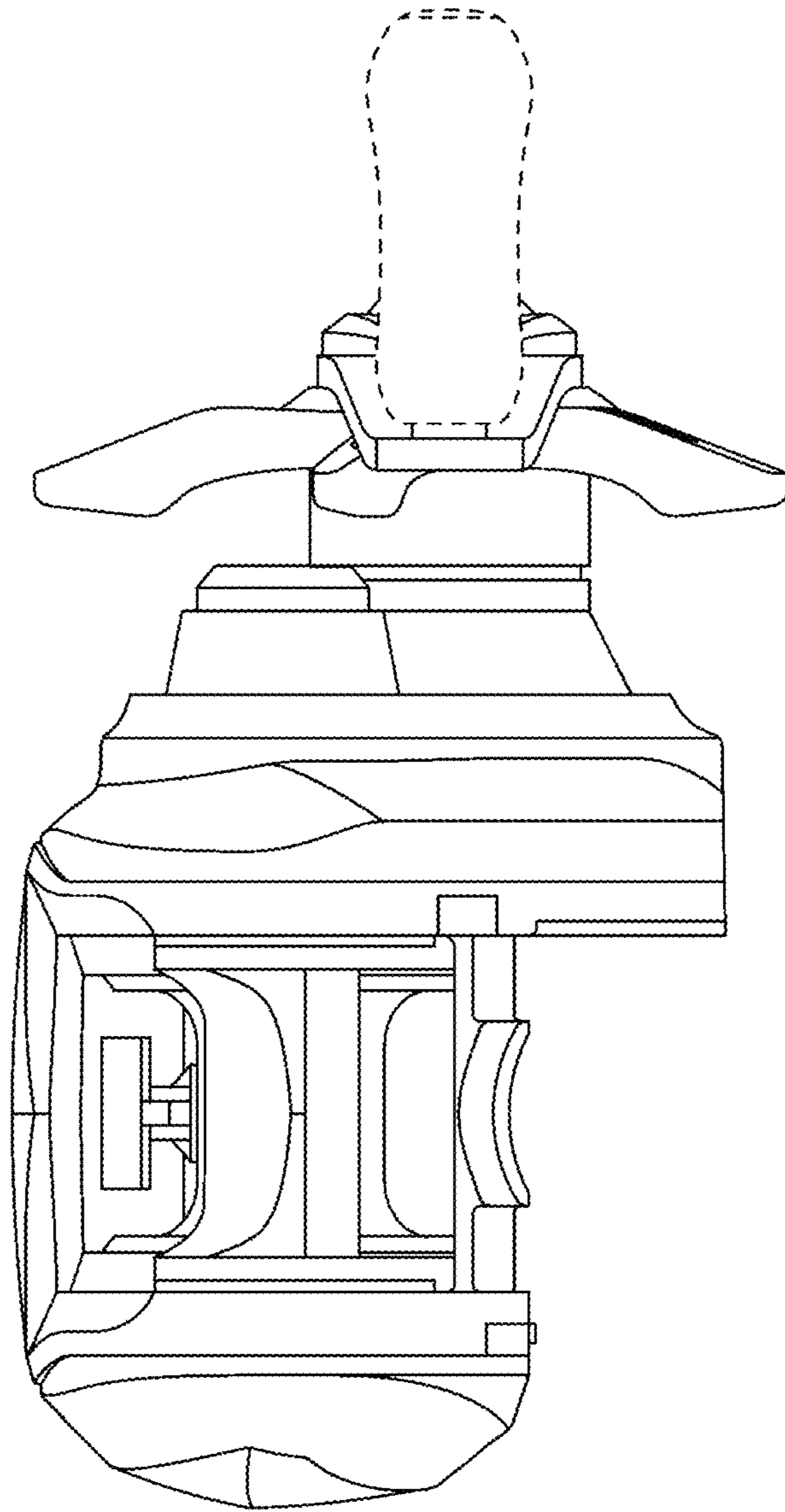


FIG. 9