



US00D916229S

(12) **United States Design Patent** (10) **Patent No.:** **US D916,229 S**  
**Pool** (45) **Date of Patent:** **\*\* Apr. 13, 2021**

(54) **LIGHTED FISHING LURE** 2,828,572 A \* 4/1958 Sargent ..... A01K 85/14  
43/42.39  
(71) Applicant: **Pro-Troll, Inc.**, Concord, CA (US) D515,655 S \* 2/2006 Bechhold ..... D22/129  
D637,685 S \* 5/2011 Pruitt ..... D22/129  
(72) Inventor: **Richard B Pool**, Lafayette, CA (US) D783,767 S \* 4/2017 Teegarden ..... A01K 85/10  
D22/129

(73) Assignee: **Pro-Troll, Inc.**, Concord, CA (US) \* cited by examiner  
(\*\*) Term: **15 Years** *Primary Examiner* — Catherine R Oliver-Garcia  
(21) Appl. No.: **29/724,546** (74) *Attorney, Agent, or Firm* — AT&P, PC; Peter Tormey

(22) Filed: **Feb. 17, 2020**  
(51) **LOC (13) Cl.** ..... **22-05**  
(52) **U.S. Cl.**  
USPC ..... **D22/129**  
(58) **Field of Classification Search**  
USPC ..... D22/129, 126; 43/17.1, 43.13, 43.12,  
43/42.51, 42.39, 42.5, 42.12, 42.06  
CPC ..... A01K 85/00; A01K 85/14; A01K 91/00;  
A01K 91/06; A01K 91/065  
See application file for complete search history.

(57) **CLAIM**  
The ornamental design for a lighted fishing lure, as shown and described.

(56) **References Cited**  
U.S. PATENT DOCUMENTS  
1,956,783 A \* 5/1934 Yeo ..... A01K 85/14  
43/42.06  
2,797,520 A \* 7/1957 Nycz ..... A01K 85/14  
43/42.12

**DESCRIPTION**  
FIG. 1 is a front perspective view of the lighted fishing lure showing the new design;  
FIG. 2 is a right side elevation view thereof;  
FIG. 3 is a left side elevation view thereof;  
FIG. 4 is a top plan view thereof;  
FIG. 5 is a bottom plan view thereof;  
FIG. 6 is a front elevation view thereof; and,  
FIG. 7 is a rear elevation view thereof.  
The broken line showing of environment is included for the purpose of illustrating only and forms no part of the claimed design.

**1 Claim, 7 Drawing Sheets**

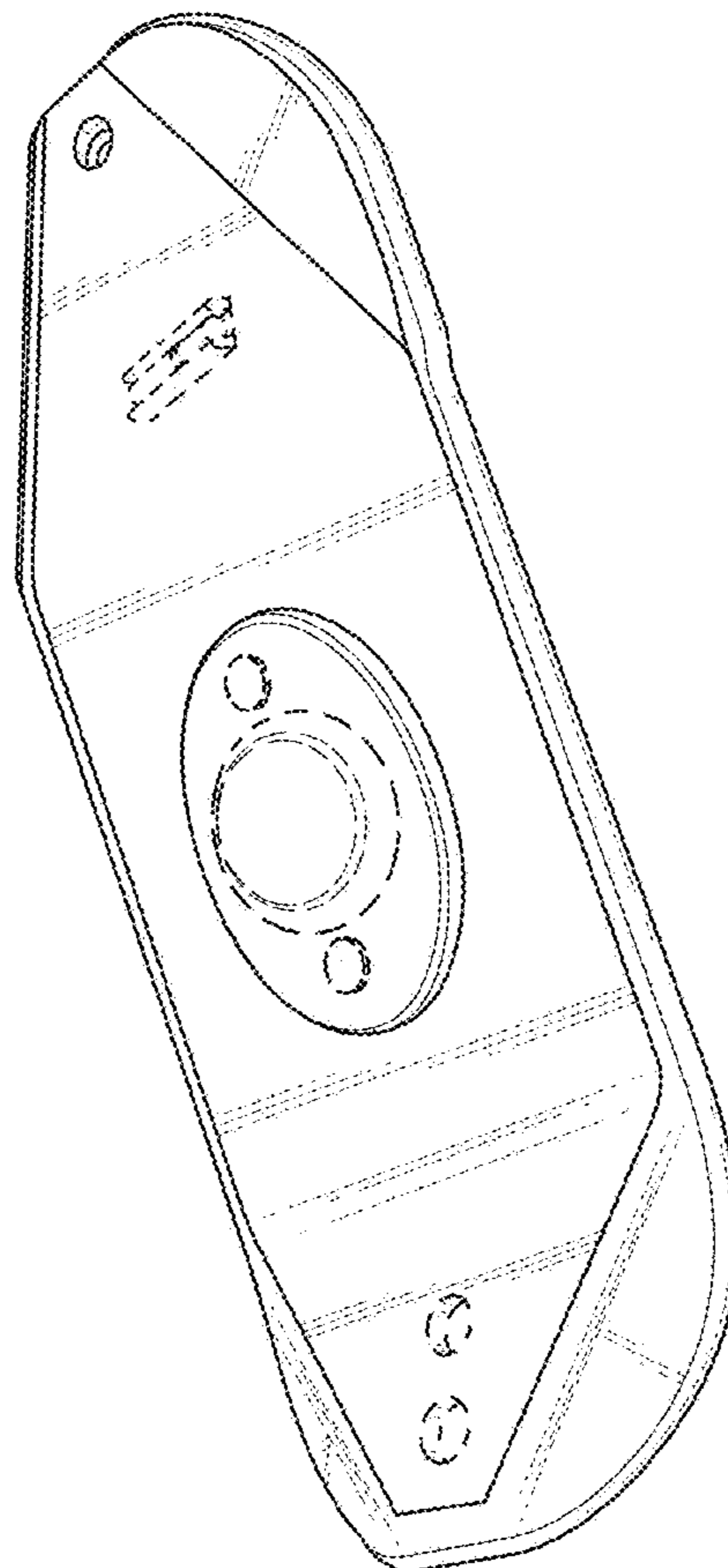


FIGURE 1

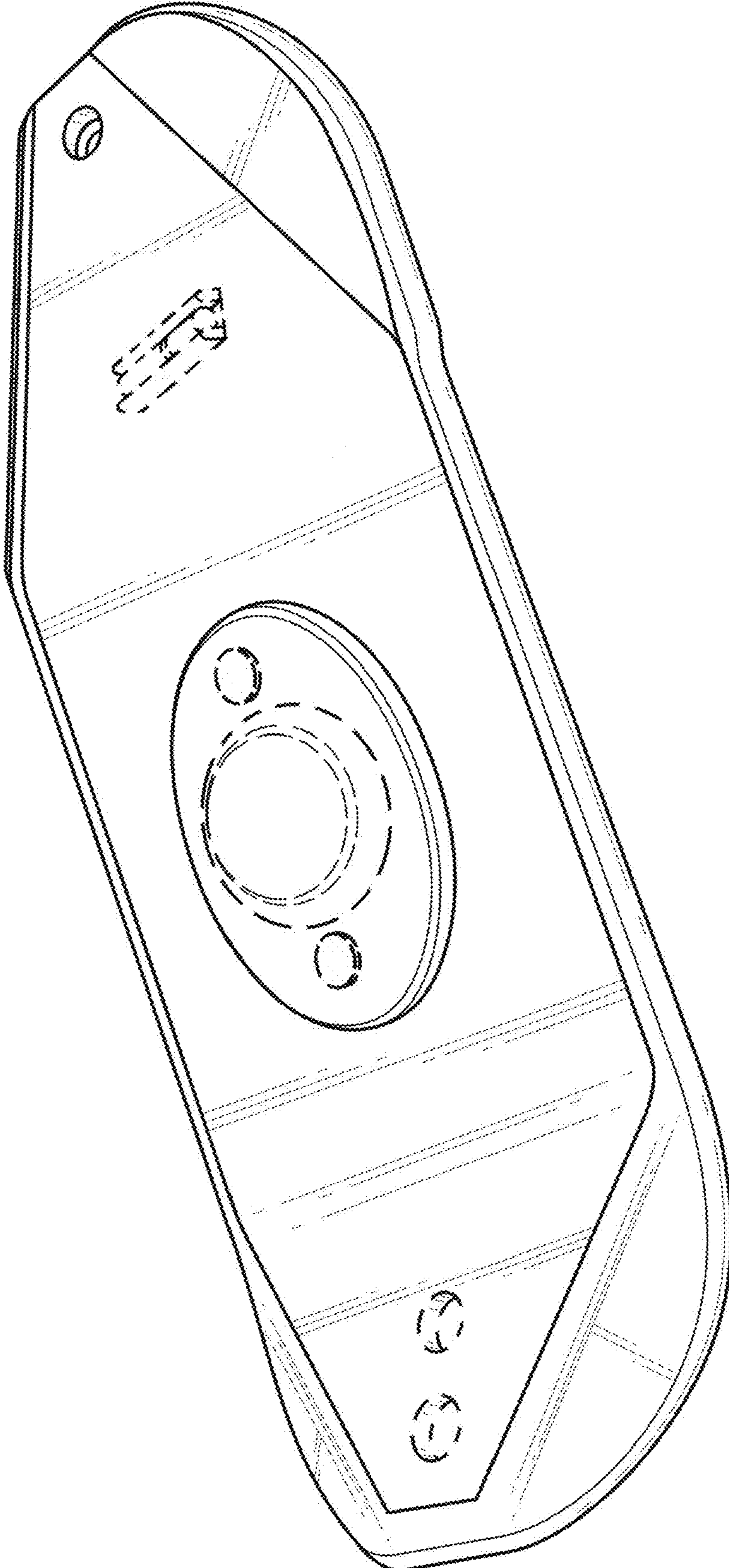


FIGURE 2

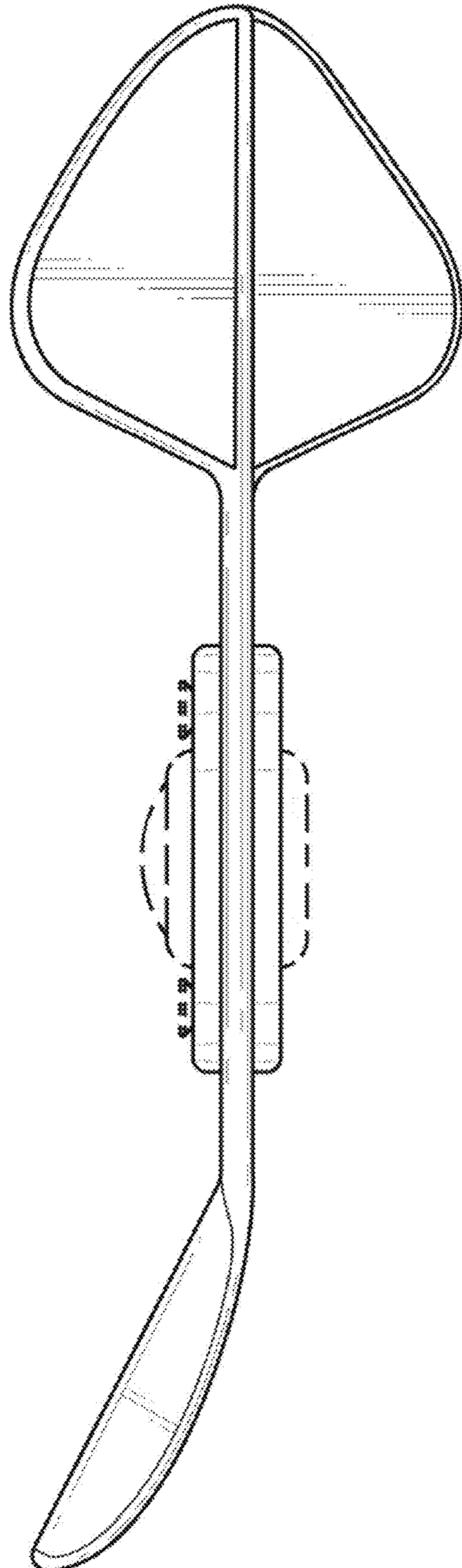


FIGURE 3

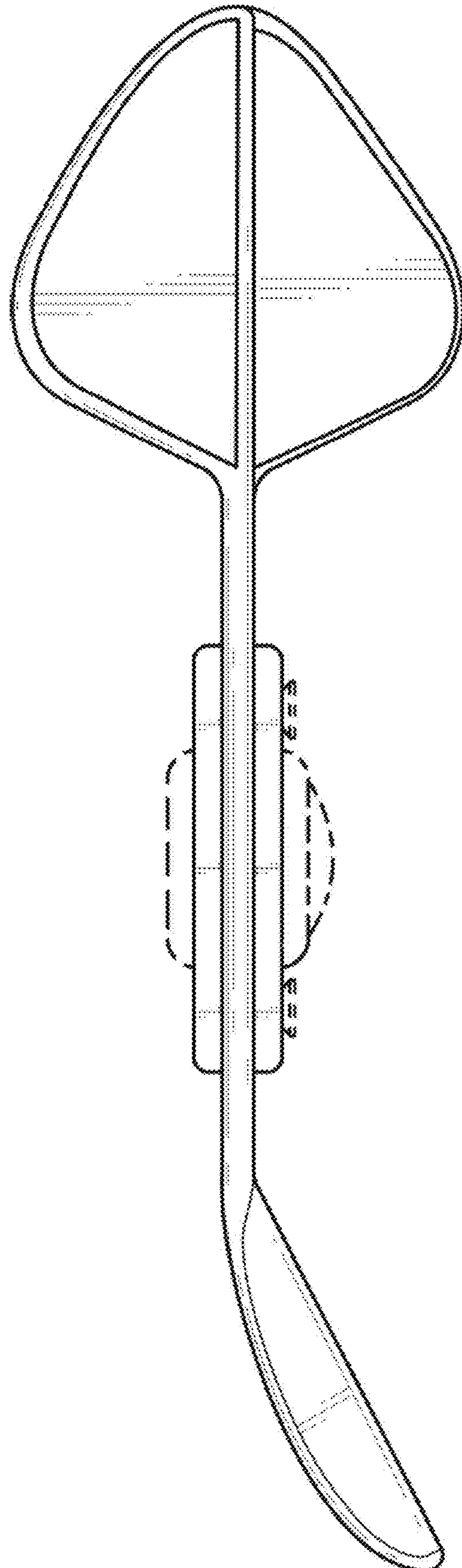


FIGURE 4

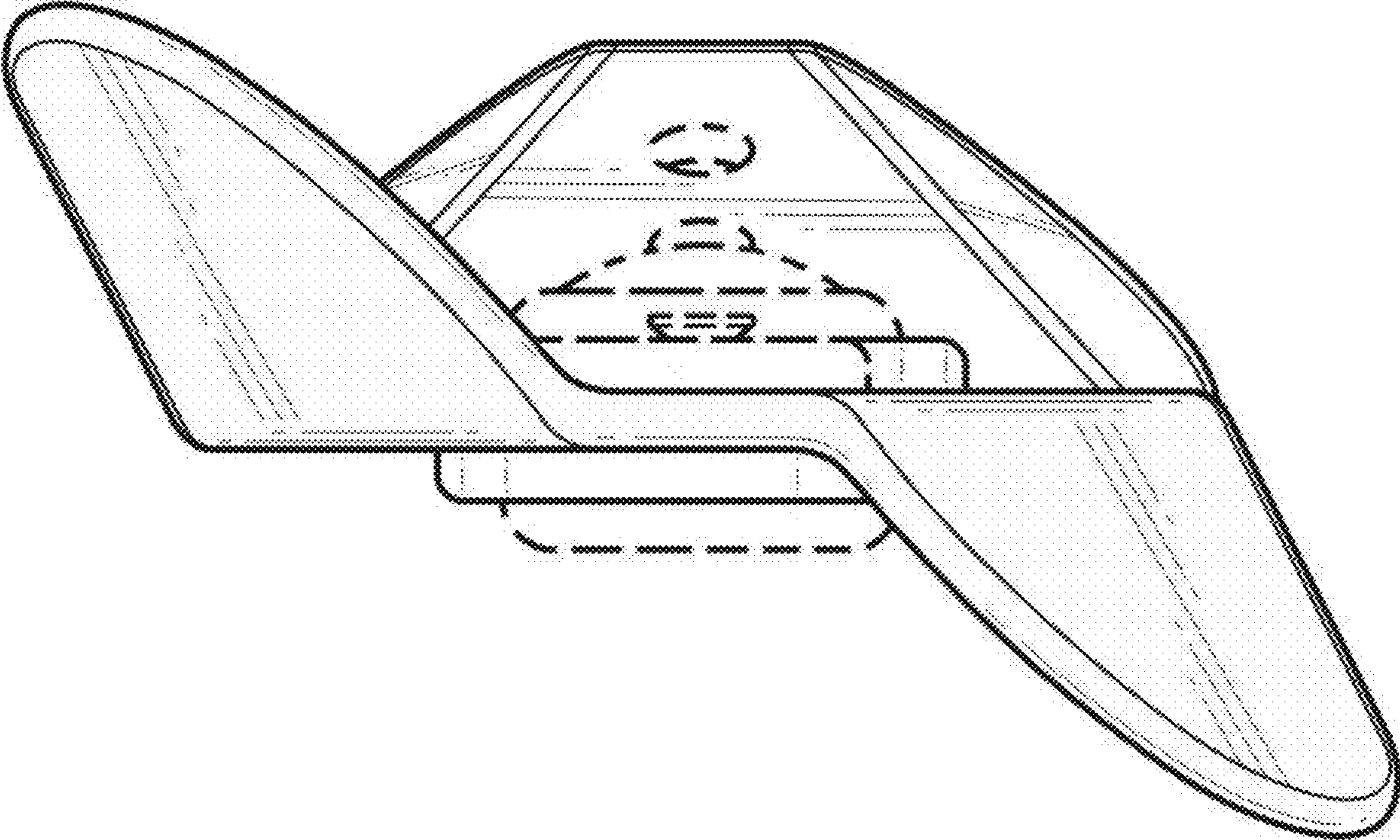


FIGURE 5

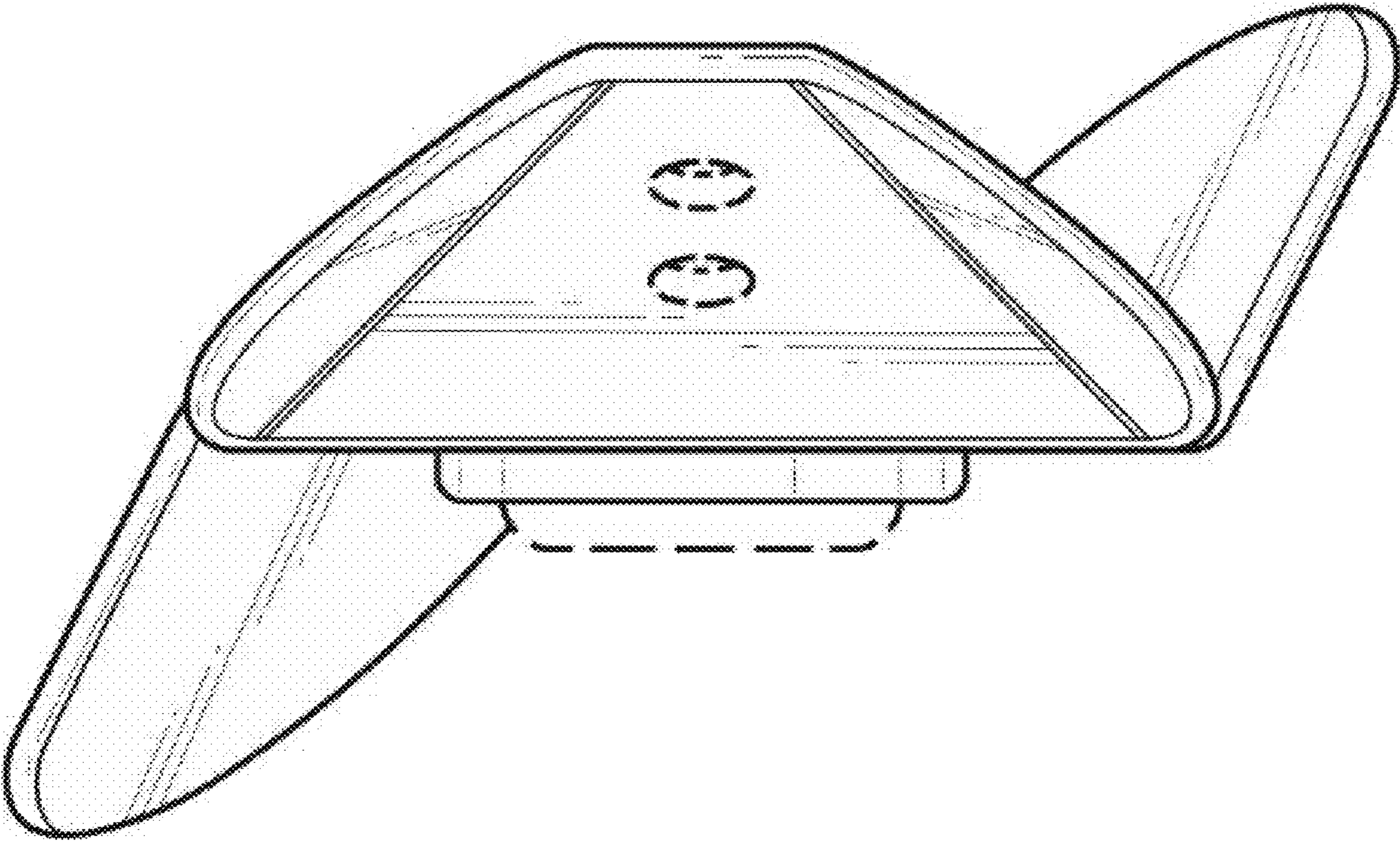


FIGURE 6

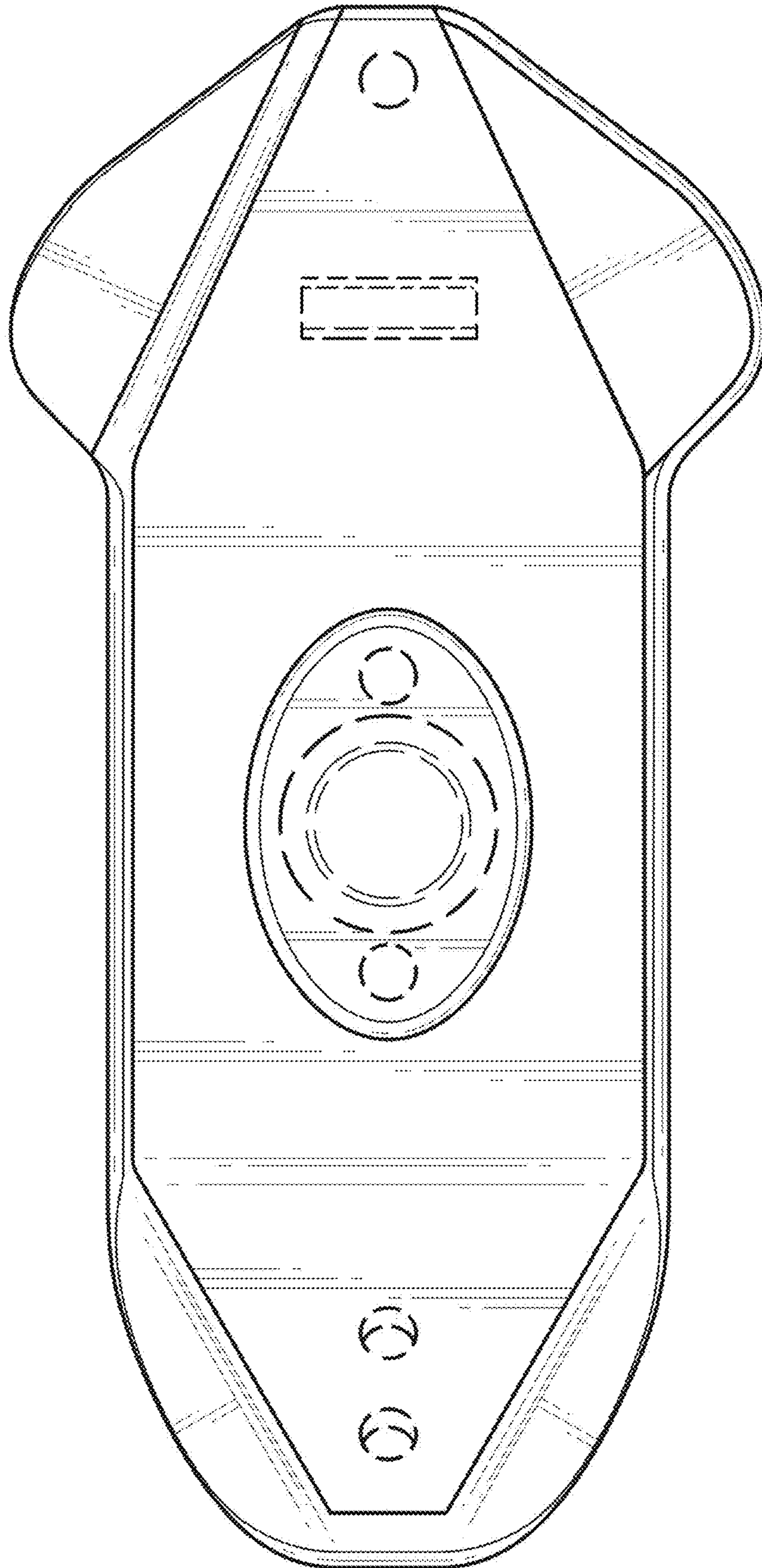


FIGURE 7

