



US00D916227S

(12) **United States Design Patent** (10) **Patent No.:** **US D916,227 S**  
**Lesniak** (45) **Date of Patent:** **\*\* Apr. 13, 2021**

(54) **FLYING INSECT TRAP**

(71) Applicant: **Enterprises of CC, Inc.**, Media, PA (US)

(72) Inventor: **Frank M. Lesniak**, Media, PA (US)

(73) Assignee: **Enterprises of CC, Inc.**, Media, PA (US)

(\*\*) Term: **15 Years**

(21) Appl. No.: **29/710,568**

(22) Filed: **Oct. 24, 2019**

(51) **LOC (13) Cl.** ..... **22-06**

(52) **U.S. Cl.**  
USPC ..... **D22/122**

(58) **Field of Classification Search**  
USPC ..... D22/122; 43/107, 121-122, 124, 131,  
43/132.1; D9/708; 223/806  
CPC .... A01M 1/10; A01M 1/2044; A01M 1/2055;  
A61L 9/12  
See application file for complete search history.

(56) **References Cited**

**U.S. PATENT DOCUMENTS**

- 4,706,410 A \* 11/1987 Briese ..... A01M 1/02  
43/107
- 4,899,485 A \* 2/1990 Schneidmiller ..... A01M 1/02  
43/107
- 5,392,558 A \* 2/1995 Blomquist ..... A01M 1/02  
43/107
- 6,360,477 B1 \* 3/2002 Flashinski ..... A01M 1/2044  
223/86
- D470,758 S \* 2/2003 Bakersmith ..... D9/708
- D563,797 S \* 3/2008 McMorris ..... D9/708
- D724,954 S \* 3/2015 Niggemyer ..... D9/708
- D812,710 S 3/2018 Lesniak

- D832,972 S 11/2018 Lesniak
- 2004/0231229 A1 \* 11/2004 Lenker ..... A01M 1/02  
43/107
- 2006/0042154 A1 \* 3/2006 Rich ..... A01M 1/10  
43/107

**OTHER PUBLICATIONS**

Rescue! Outdoor Disposable Hanging Fly Trap, 1 Trap, Earliest Review Jul. 30, 2011 . . . <https://www.walmart.com/ip/Rescue-Outdoor-Disposable-Hanging-Fly-Trap-1-Trap/17134651> (Year: 2011).  
Black Flag Disposable Fly Trap, <http://www.blackflag.com/products/outdoor-products/disposable-fly-trap.aspx>, accessed October 24, 2019

\* cited by examiner

*Primary Examiner* — Catherine R Oliver-Garcia  
(74) *Attorney, Agent, or Firm* — Rogowski Law LLC

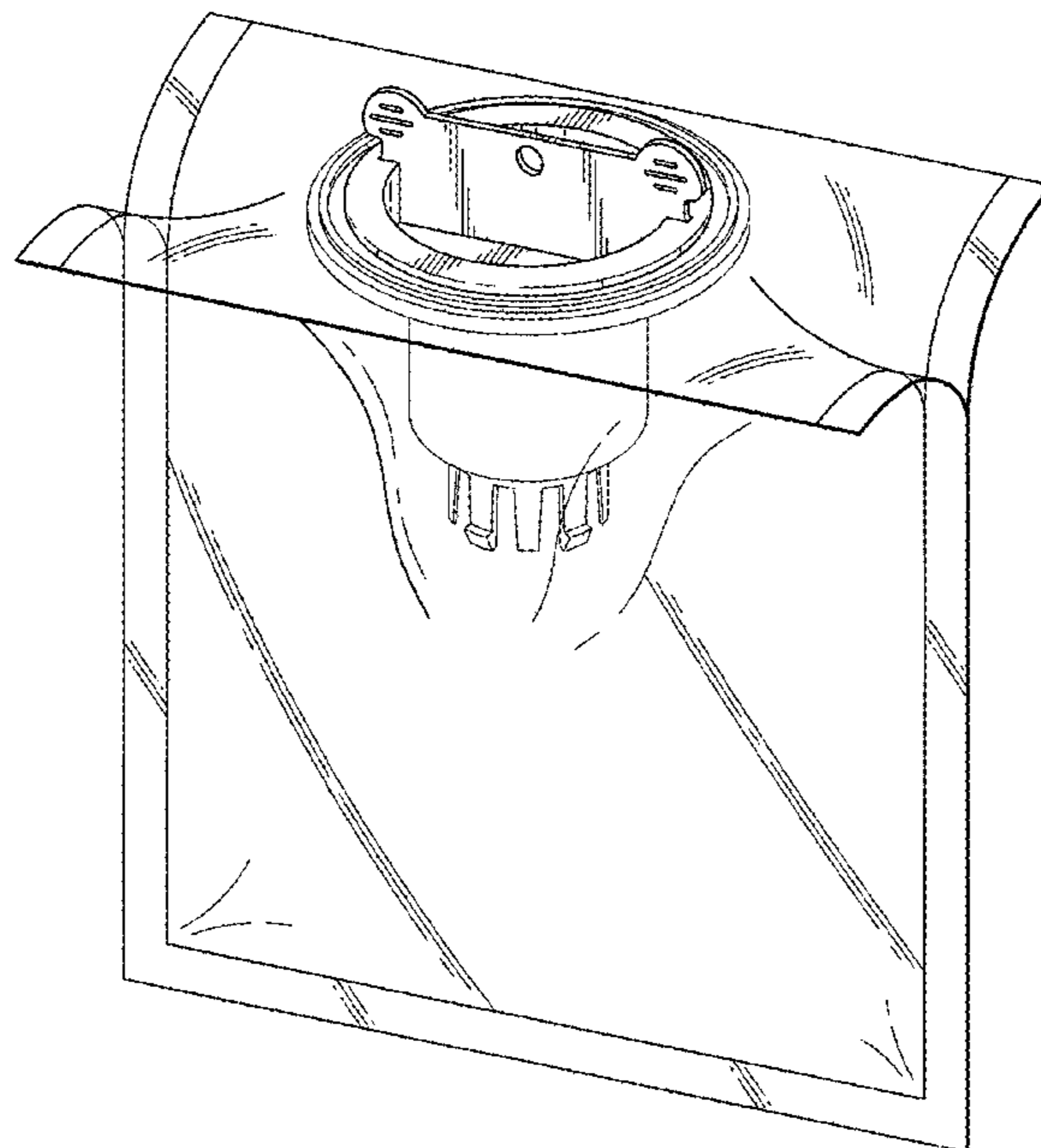
(57) **CLAIM**

The ornamental design for a flying insect trap, as shown and described.

**DESCRIPTION**

FIG. 1 is a right front perspective view of a flying insect trap in closed configuration;  
FIG. 2 is a right front perspective view of the flying insect trap of FIG. 1 in open configuration;  
FIG. 3 is a front elevational view of the flying insect trap of FIG. 1;  
FIG. 4 is a rear elevational view of the flying insect trap of FIG. 1;  
FIG. 5 is a top plan view of the flying insect trap of FIG. 1;  
FIG. 6 is a bottom plan view of the flying insect trap of FIG. 1;  
FIG. 7 is a left side elevational view of the flying insect trap of FIG. 1; and,  
FIG. 8 is a right side elevational view of the flying insect trap of FIG. 1.

**1 Claim, 6 Drawing Sheets**



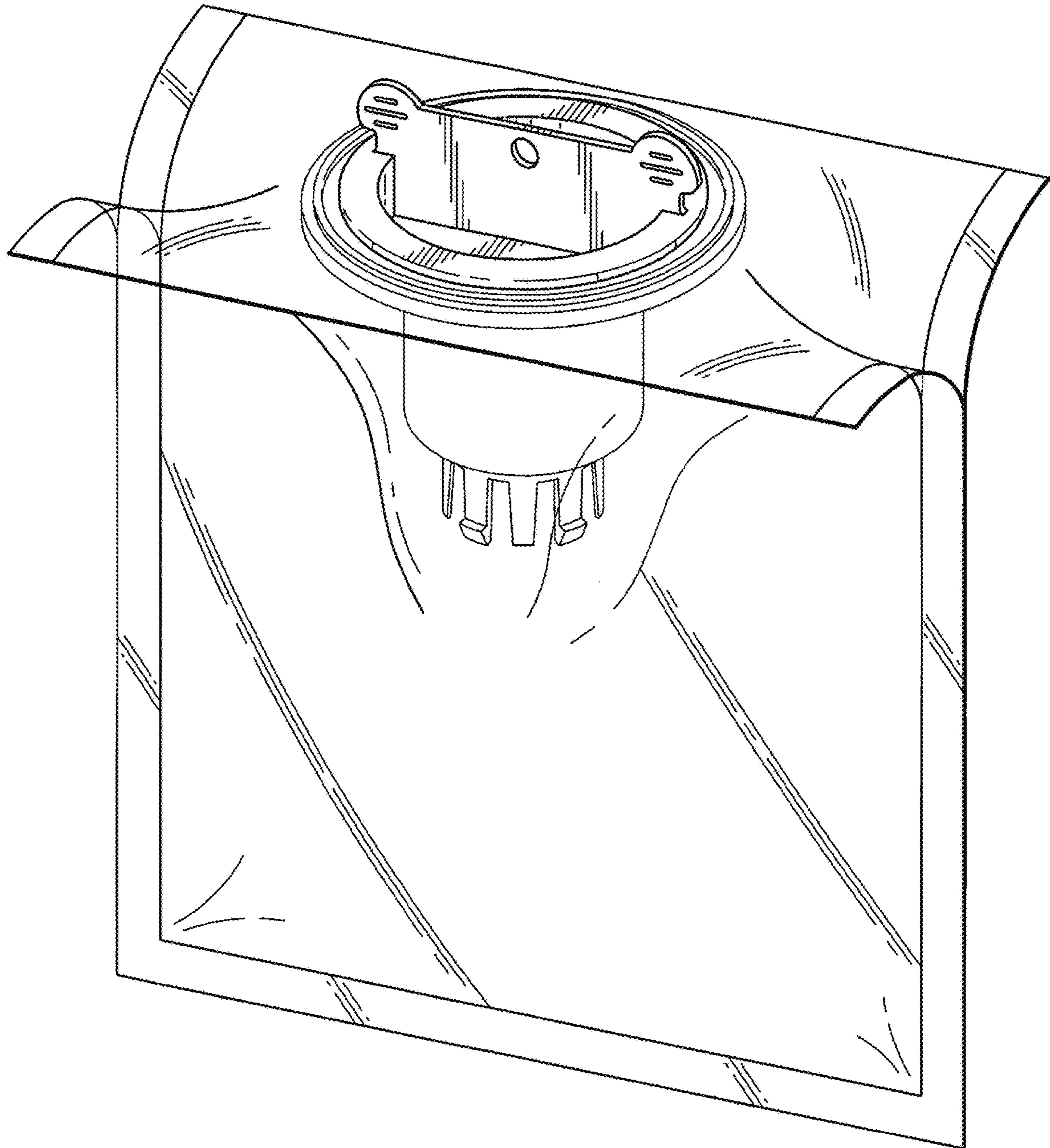


FIG. 1

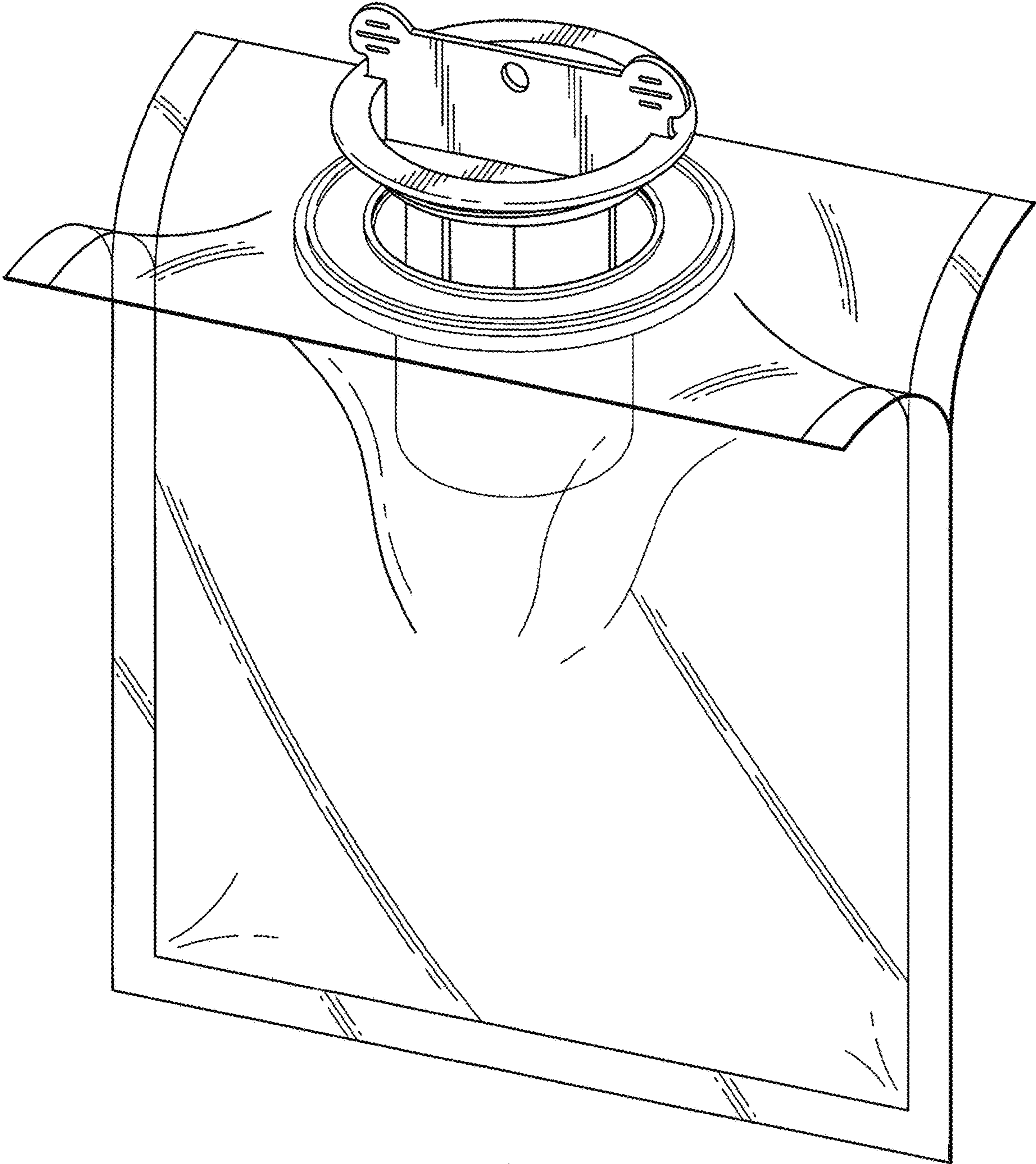


FIG. 2

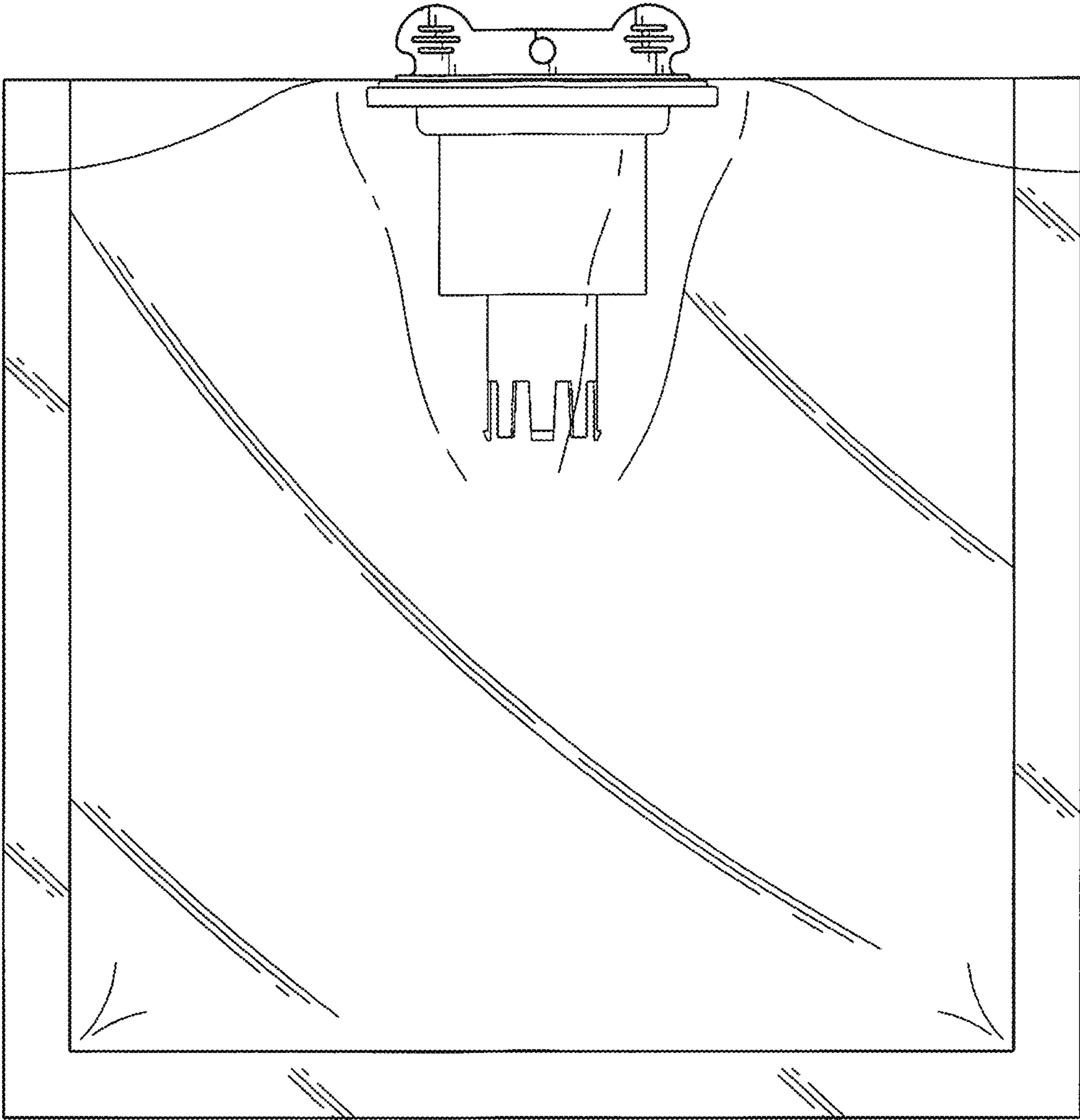


FIG. 3

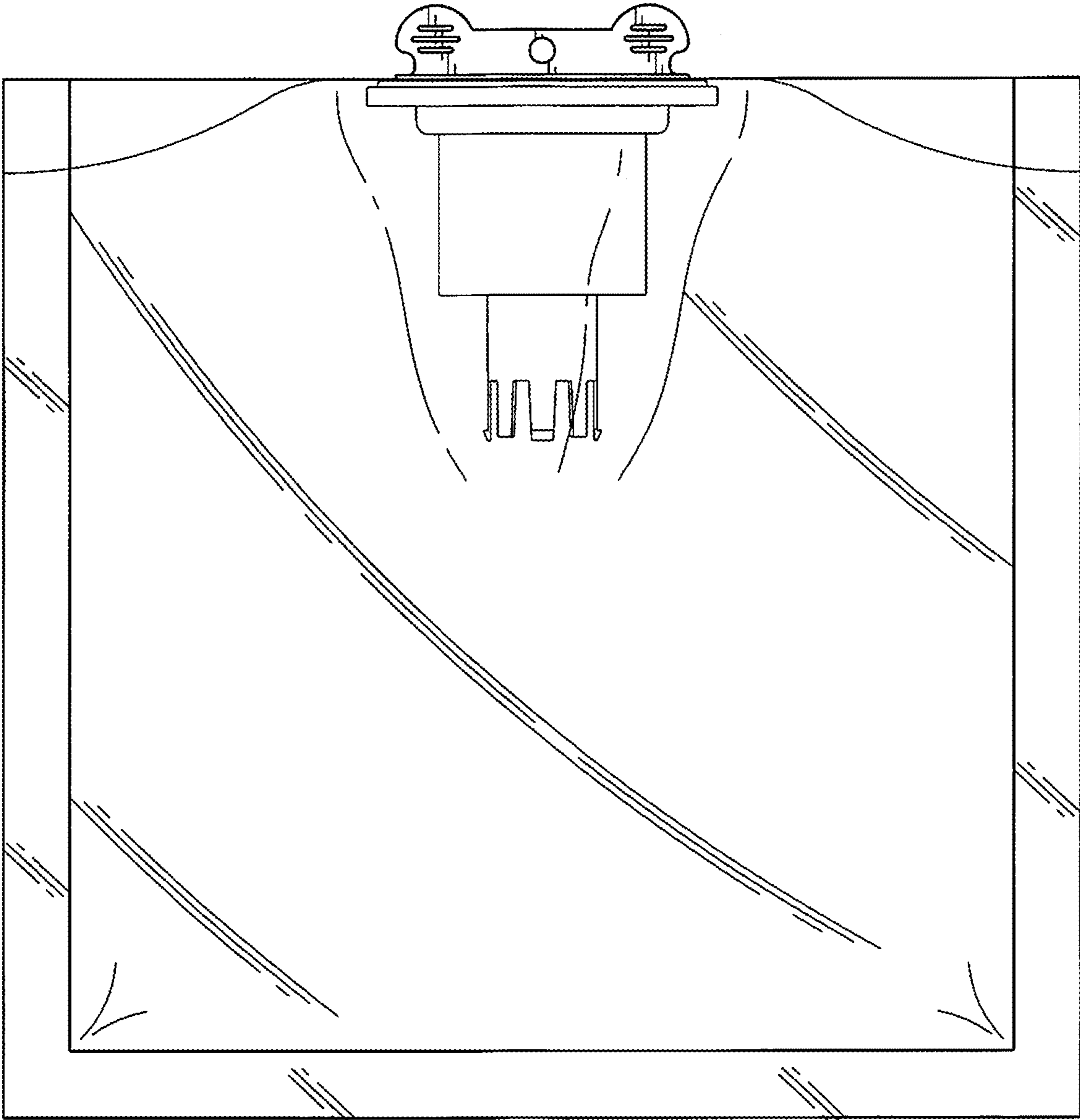


FIG. 4

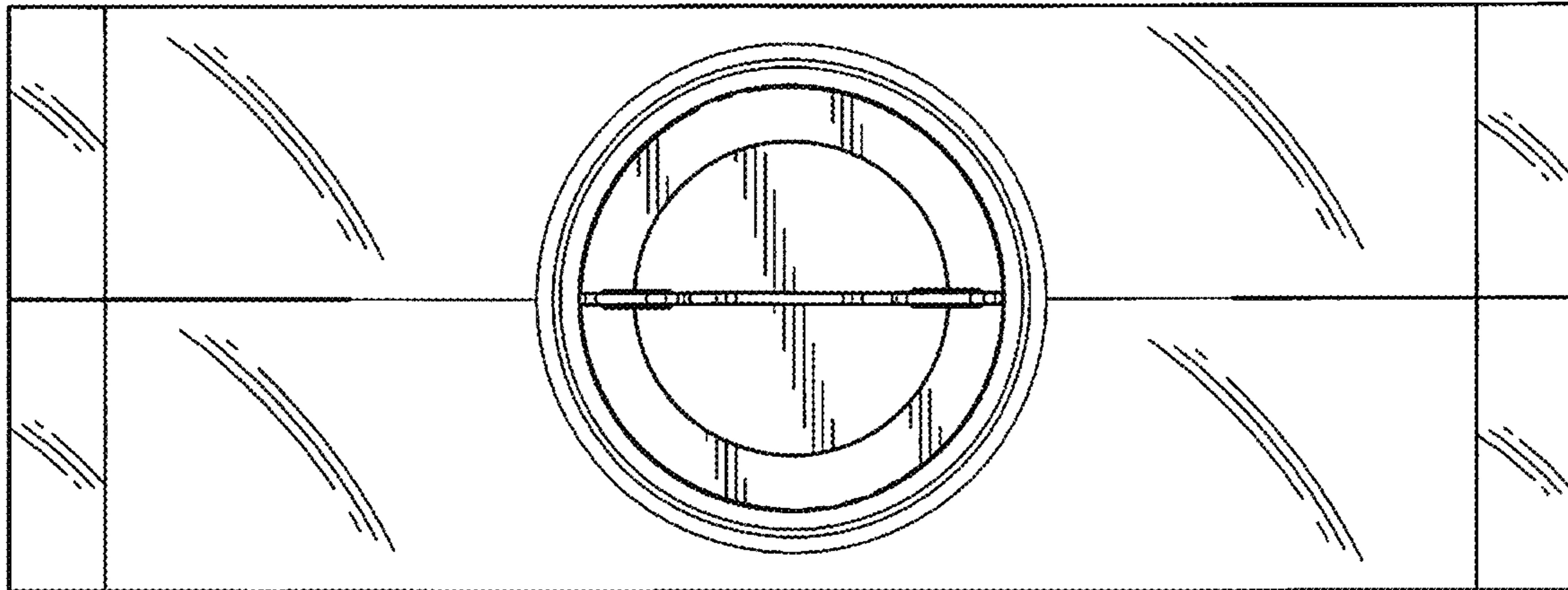


FIG. 5

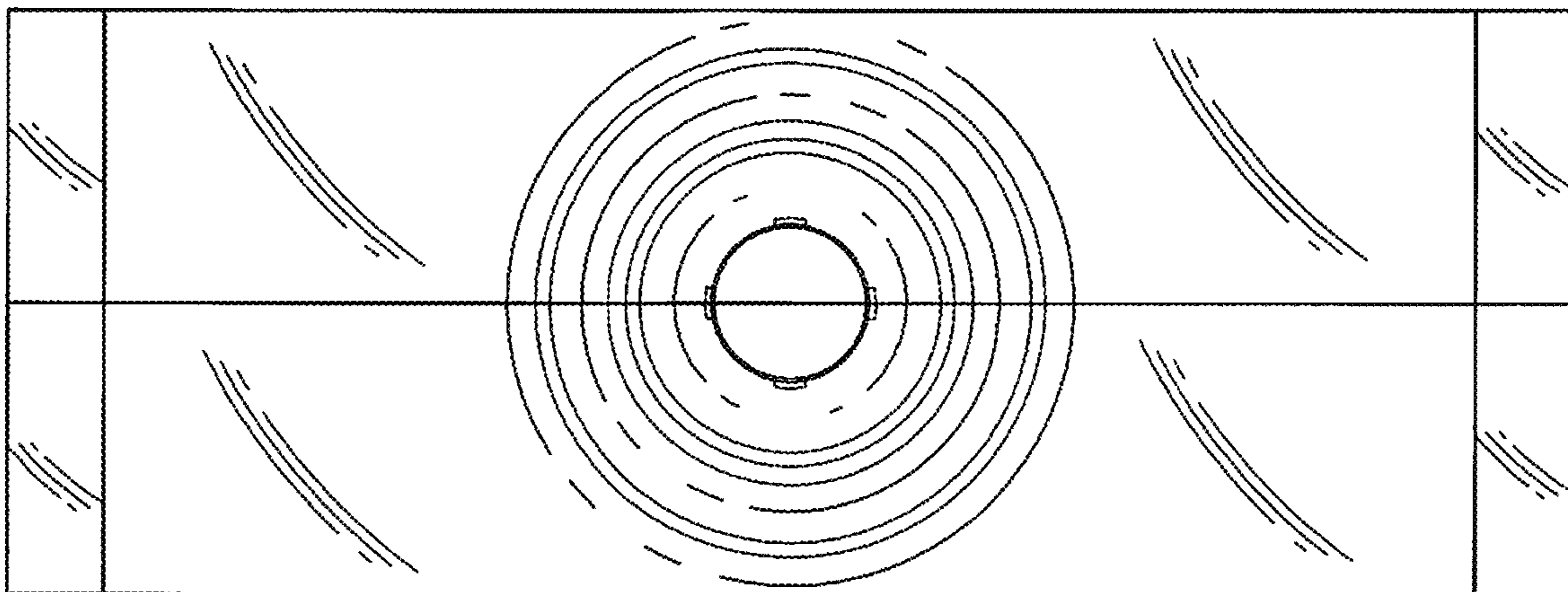


FIG. 6

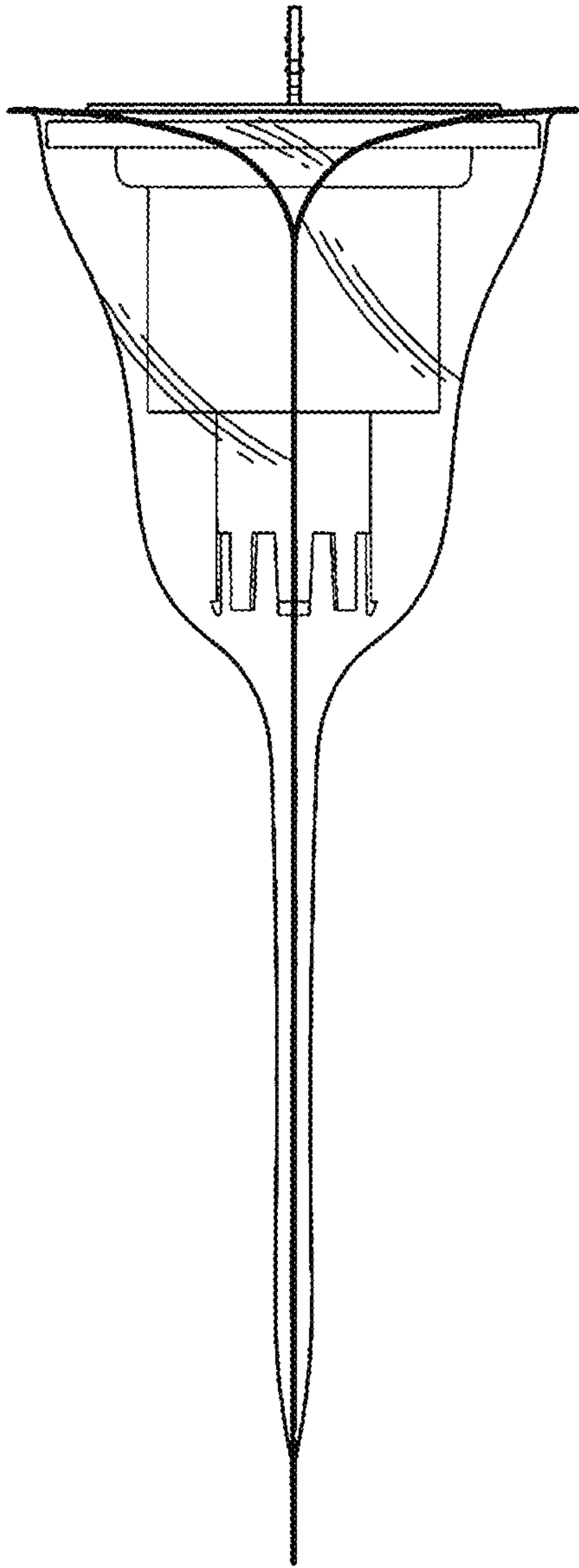


FIG. 7

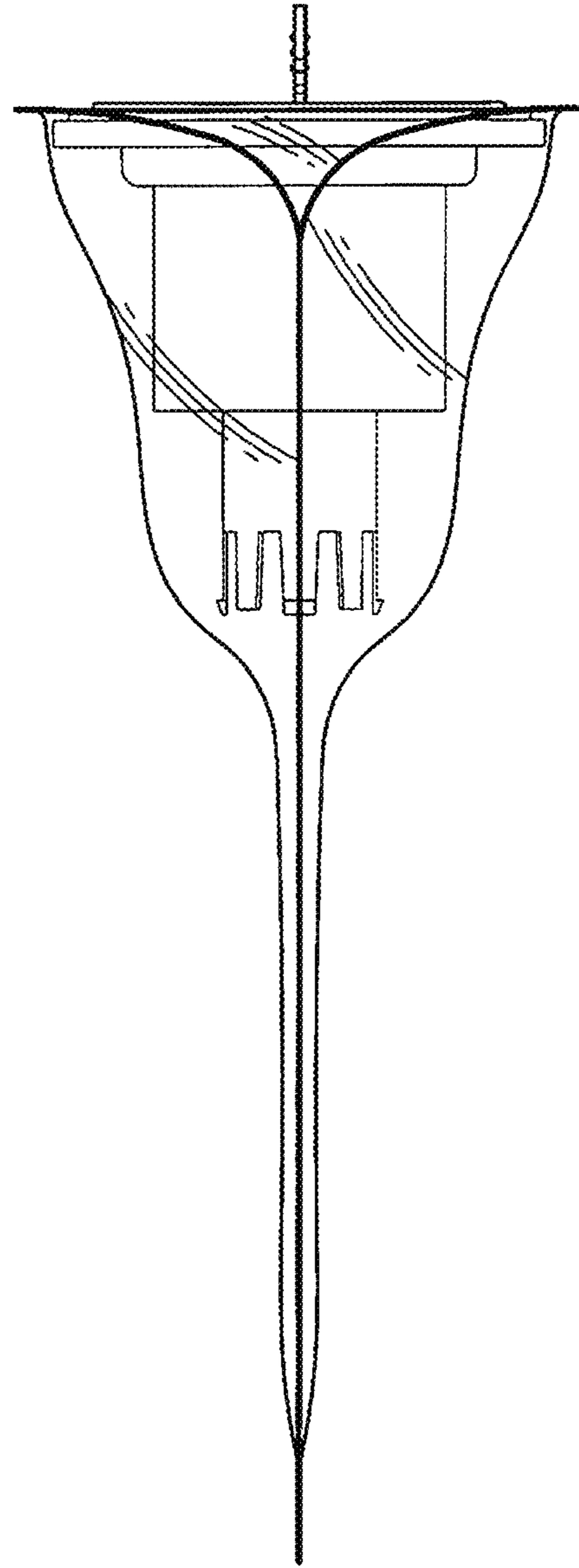


FIG. 8