



US00D916225S

(12) **United States Design Patent**  
**Laney et al.**

(10) **Patent No.:** **US D916,225 S**  
(45) **Date of Patent:** **\*\* Apr. 13, 2021**

- (54) **RIFLE**
- (71) Applicant: **Smith & Wesson Corp.**, Springfield, MA (US)
- (72) Inventors: **Mark C. Laney**, Lee, NH (US); **Karl Ricker**, Rochester, NH (US)
- (73) Assignee: **Smith & Wesson Inc.**, Springfield, MA (US)
- (\*\*) Term: **15 Years**
- (21) Appl. No.: **29/682,663**
- (22) Filed: **Mar. 7, 2019**

- D670,783 S \* 11/2012 Barrett ..... D22/103
  - 8,307,575 B1 ‡ 11/2012 Battaglia ..... F41A 3/64  
42/75.03
  - 8,429,844 B2 \* 4/2013 Dextraze ..... F41A 11/02  
42/73
  - D692,084 S \* 10/2013 Eberle ..... D22/103
- (Continued)

**Related U.S. Application Data**

- (62) Division of application No. 29/590,514, filed on Jan. 11, 2017, now Pat. No. Des. 868,190.
- (51) **LOC (13) Cl.** ..... **22-01**
- (52) **U.S. Cl.**  
USPC ..... **D22/103; D21/573**
- (58) **Field of Classification Search**  
USPC ..... D22/100, 101, 102, 103, 104, 105, 106,  
D22/107, 108, 109, 110, 111, 199;  
D21/571, 573, 574, 575, 746  
CPC ..... F41C 23/14; F41C 23/20; F41C 23/04;  
F41C 23/00; F41C 23/10; F41C 27/00;  
F41C 7/00; F41C 23/06; F41C 3/00;  
F41B 5/10; F41B 5/14; F41B 5/0094;  
F41B 5/1469; F41B 5/00  
See application file for complete search history.

**References Cited**

**U.S. PATENT DOCUMENTS**

- D584,373 S ‡ 1/2009 Young ..... F41C 23/16  
D22/103
- D610,218 S \* 2/2010 Barrett ..... D22/103
- 7,726,060 B1 ‡ 6/2010 Jones ..... F41A 3/66  
42/75.02
- D670,782 S ‡ 11/2012 Barrett ..... D22/103

**OTHER PUBLICATIONS**

“Performance Center T/C LRR | 308 Precision Rifle” [online]. Talon Sei. [Published on Jul. 8, 2018]. Retrieved from the Internet: &lt;https://www.youtube.com/watch?v=ffweI12I7DU1&gt; ‡  
(Continued)

*Primary Examiner* — Khawaja Anwar  
*Assistant Examiner* — Mojtaba Tehrani  
(74) *Attorney, Agent, or Firm* — John A. Chionchio, Esquire; Ballard Spahr LLP

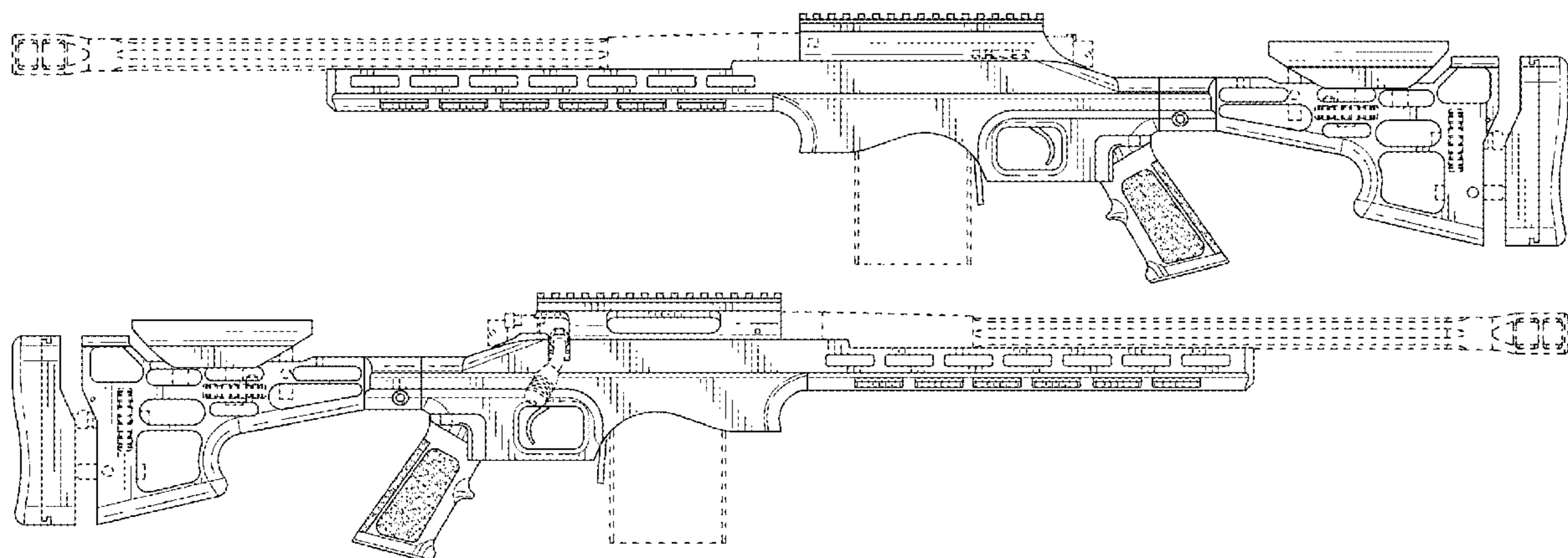
(57) **CLAIM**

We claim the ornamental design for a rifle, as shown and described.

**DESCRIPTION**

FIG. 1 is a left side view of our design for a rifle;  
FIG. 2 is a right side view of the design for the rifle shown in FIG. 1;  
FIG. 3 is a top view of the design for the rifle shown in FIG. 1;  
FIG. 4 is a bottom view of the design for the rifle shown in FIG. 1;  
FIG. 5 is a front view of the design for the rifle shown in FIG. 1; and,  
FIG. 6 is a rear view of the design for the rifle shown in FIG. 1.  
The broken lines depict portions of the rifle that form no part of the claimed design.

**1 Claim, 3 Drawing Sheets**



(56)

**References Cited**

U.S. PATENT DOCUMENTS

8,752,320 B2 \* 6/2014 Masters ..... F41C 23/16  
 42/71.01  
 8,800,423 B1 ‡ 8/2014 Lammers ..... F41A 5/18  
 89/191.01  
 8,844,185 B2 \* 9/2014 Jarboe ..... F41C 23/14  
 42/73  
 D722,672 S \* 2/2015 Juarez ..... D22/108  
 D725,215 S \* 3/2015 Eberle ..... D22/108  
 9,091,505 B1 \* 7/2015 Battaglia ..... F41A 3/66  
 9,157,696 B2 \* 10/2015 Dextraze ..... F41C 23/16  
 D762,277 S \* 7/2016 Juarez ..... D22/108  
 D763,396 S \* 8/2016 Juarez ..... D22/108  
 9,453,694 B1 \* 9/2016 Storch ..... F41A 3/64  
 D774,619 S \* 12/2016 Mather ..... D22/108  
 9,534,859 B2 \* 1/2017 Battaglia ..... F41A 3/66  
 D785,122 S \* 4/2017 Mather ..... D22/104  
 9,766,035 B2 \* 9/2017 Storch ..... F41C 23/16  
 D827,753 S \* 9/2018 Lessard ..... D22/103  
 10,132,583 B2 \* 11/2018 Drake ..... F41C 7/00  
 10,215,527 B2 \* 2/2019 Storch ..... F41G 11/001  
 10,317,165 B2 \* 6/2019 Saltzman ..... F41C 23/06  
 D868,190 S \* 11/2019 Laney ..... D22/103  
 D871,536 S \* 12/2019 Lessard ..... D22/108  
 D882,015 S \* 4/2020 Juarez ..... D22/108  
 D894,319 S \* 8/2020 Pobutkiewicz ..... D22/108  
 10,739,107 B2 \* 8/2020 Drake ..... F41C 23/16  
 10,788,287 B2 \* 9/2020 Parker ..... F41C 23/14  
 2010/0307042 A1 \* 12/2010 Jarboe ..... F41A 3/18  
 42/6

2011/0314717 A1 \* 12/2011 Barrett ..... F41A 3/66  
 42/75.03  
 2012/0167434 A1 \* 7/2012 Masters ..... F41G 11/003  
 42/90  
 2014/0041273 A1 \* 2/2014 Masters ..... F41C 23/16  
 42/71.01  
 2015/0233656 A1 \* 8/2015 Karagias ..... F41A 3/14  
 42/16  
 2016/0116250 A1 \* 4/2016 Mather ..... F41C 23/04  
 42/73  
 2016/0178309 A1 \* 6/2016 Drake ..... F41A 35/06  
 42/14  
 2016/0187090 A1 \* 6/2016 Mather ..... F41A 17/46  
 42/70.06  
 2016/0187092 A1 \* 6/2016 Mather ..... F41A 3/66  
 42/69.02  
 2016/0202016 A1 \* 7/2016 Mather ..... F41C 23/14  
 42/73

OTHER PUBLICATIONS

“We Knew Q LLC Was Going to Make Next-Gen ARs and Silencers, But We Didn’t Expect The Fix” [online]. Rob Curtis. [Published on Jan. 16, 2017]. Retrieved from the Internet: &lt;https://www.recoilweb.com/we-knew-q-llc-was-going-to-make-next-gen-ars-and-silencers-but-we-didnt-expect-the-fix-122186.html&gt;. ‡

\* cited by examiner

‡ imported from a related application

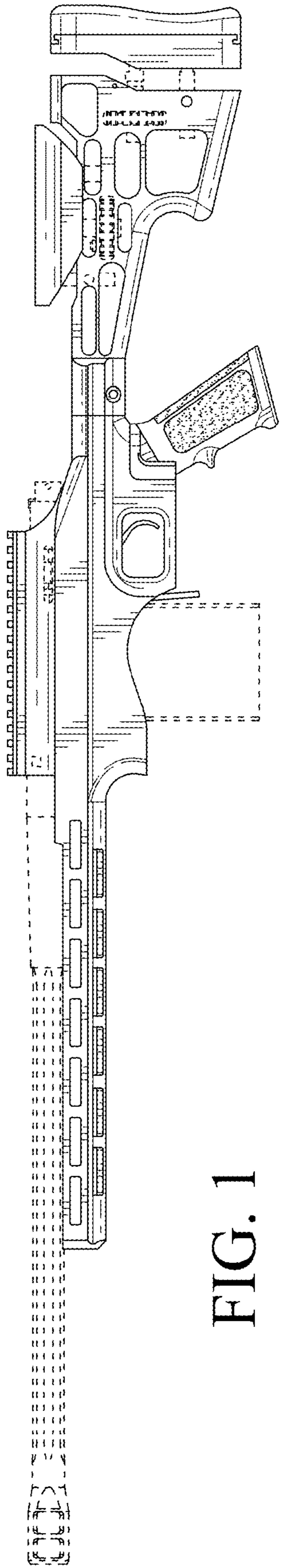


FIG. 1

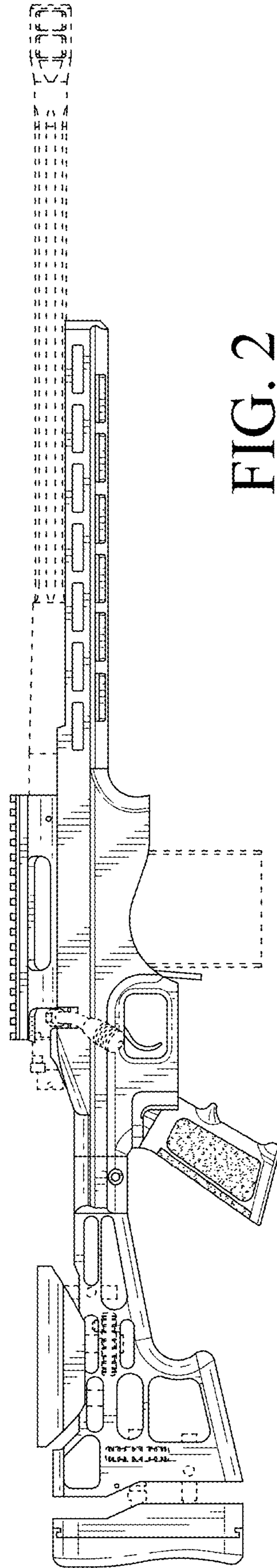


FIG. 2

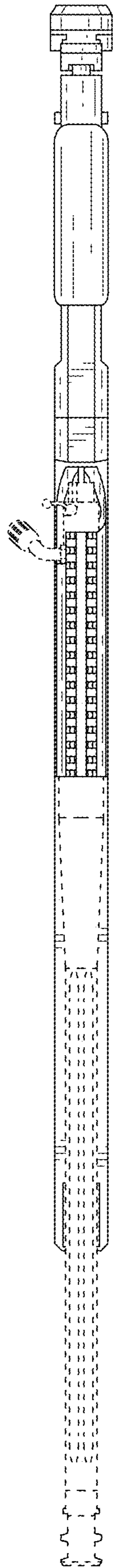


FIG. 3

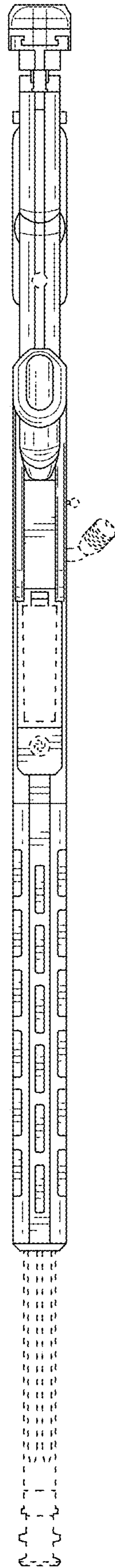


FIG. 4

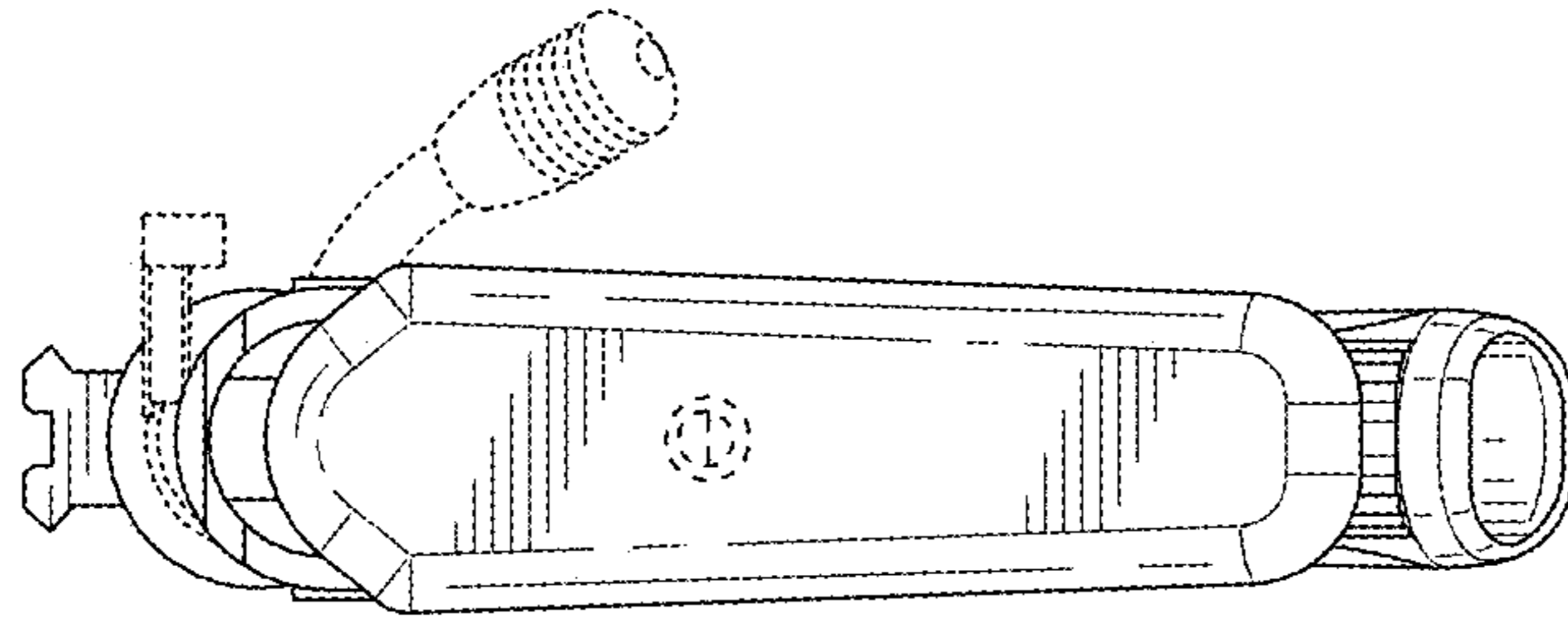


FIG. 6

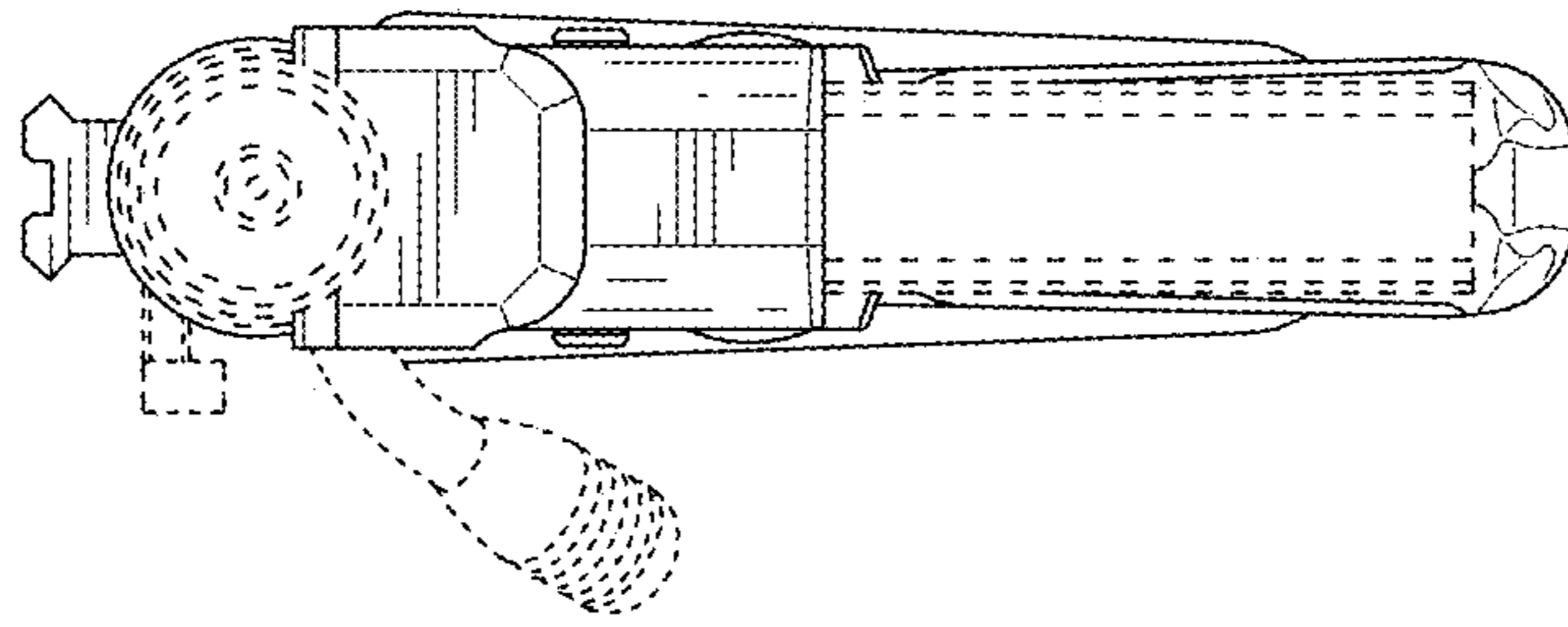


FIG. 5