



US00D916223S

(12) **United States Design Patent**
Chen

(10) **Patent No.:** **US D916,223 S**
(45) **Date of Patent:** **** Apr. 13, 2021**

- (54) **TENT**
- (71) Applicant: **GUANGZHOU SIDIANJIN TRADING CO., LTD.**, Guangzhou (CN)
- (72) Inventor: **Haiming Chen**, Guangzhou (CN)
- (73) Assignee: **GUANGZHOU SIDIANJIN TRADING CO., LTD.**, Guangzhou (CN)
- (**) Term: **15 Years**
- (21) Appl. No.: **29/747,428**
- (22) Filed: **Aug. 21, 2020**
- (51) **LOC (13) Cl.** **21-04**
- (52) **U.S. Cl.**
USPC **D21/834**
- (58) **Field of Classification Search**
USPC D21/834, 837, 838, 839
CPC E04H 15/00; E04H 15/003; E04H 15/40;
E04H 15/405; E04H 15/44; E04H 15/42;
E04H 15/425
See application file for complete search history.

(56) **References Cited**

U.S. PATENT DOCUMENTS

D282,192 S	1/1986	Grenier	
D327,524 S *	6/1992	Kim	D21/834
5,137,044 A *	8/1992	Brady	E04H 15/40 135/126
5,163,461 A *	11/1992	Ivanovich	A01G 13/043 135/126
D341,407 S *	11/1993	McLeese	D21/837
5,337,772 A *	8/1994	Habchi	E04H 15/40 135/125
D369,492 S *	5/1996	Panno, Jr.	D21/837
D482,423 S	11/2003	Newsome	

6,672,323 B2 *	1/2004	Gupta	E04H 15/40 135/126
D534,615 S *	1/2007	van Aalst	D21/834
D630,286 S	1/2011	Bell et al.	
D630,287 S *	1/2011	Bell	D21/834
8,567,424 B2 *	10/2013	Hill, Sr.	E04H 15/322 135/125
D802,226 S *	11/2017	Caputo	D30/108
D818,754 S *	5/2018	Lovell	D6/718.29
D823,968 S *	7/2018	Xiao	D21/837
D826,359 S	8/2018	Mear	
D841,107 S *	2/2019	Zhu	D21/834
D858,675 S *	9/2019	Cheng	D21/834
D872,208 S *	1/2020	Zhu	D21/834
2006/0064818 A1 *	3/2006	Danaher	E04H 15/40 5/414
2014/0190540 A1 *	7/2014	Herpin	E04H 15/40 135/115

(Continued)

Primary Examiner — Cynthia M. Chin

(74) *Attorney, Agent, or Firm* — Law Offices of Steven W. Weinrieb

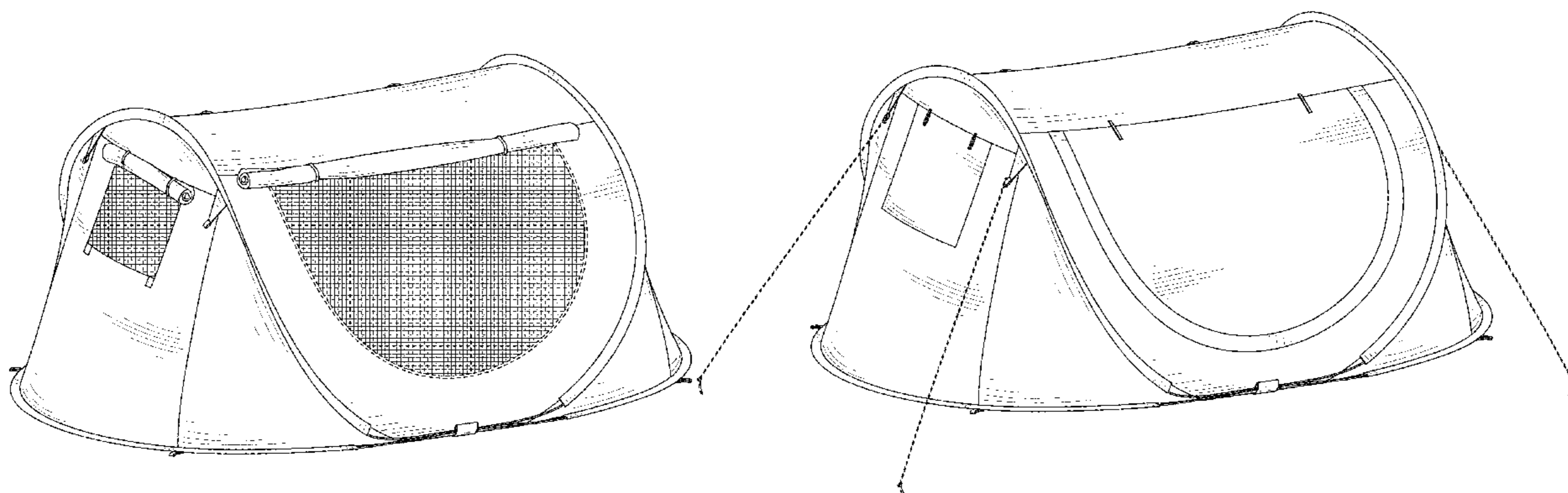
(57) **CLAIM**

The ornamental design for a tent, as shown and described.

DESCRIPTION

FIG. 1 is a front, left side, top perspective view of a tent showing my new design;
 FIG. 2 is a front, left side, top perspective view thereof showing the tent when the tent is staked to the ground and when the front and side flaps are closed;
 FIG. 3 is a front elevational view thereof;
 FIG. 4 is a rear elevational view thereof;
 FIG. 5 is a left side elevational view thereof;
 FIG. 6 is a right side elevational view thereof;
 FIG. 7 is a top plan view thereof; and,
 FIG. 8 is a bottom plan view thereof.
 The broken lines depict portions of the tent that form no part of the claimed design.

1 Claim, 8 Drawing Sheets



(56)

References Cited

U.S. PATENT DOCUMENTS

2020/0217100 A1* 7/2020 Xu E04H 15/405

* cited by examiner

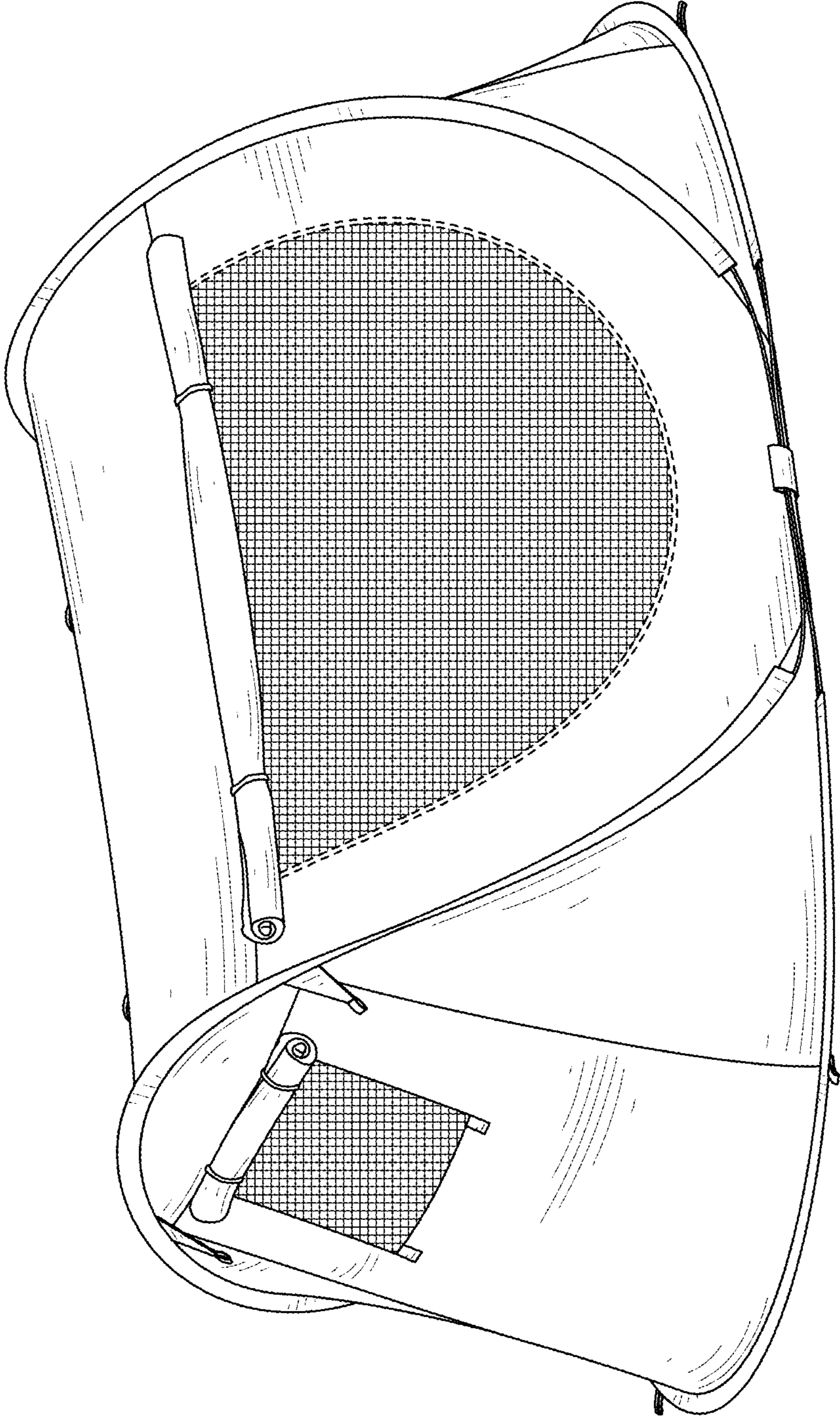


FIG. 1

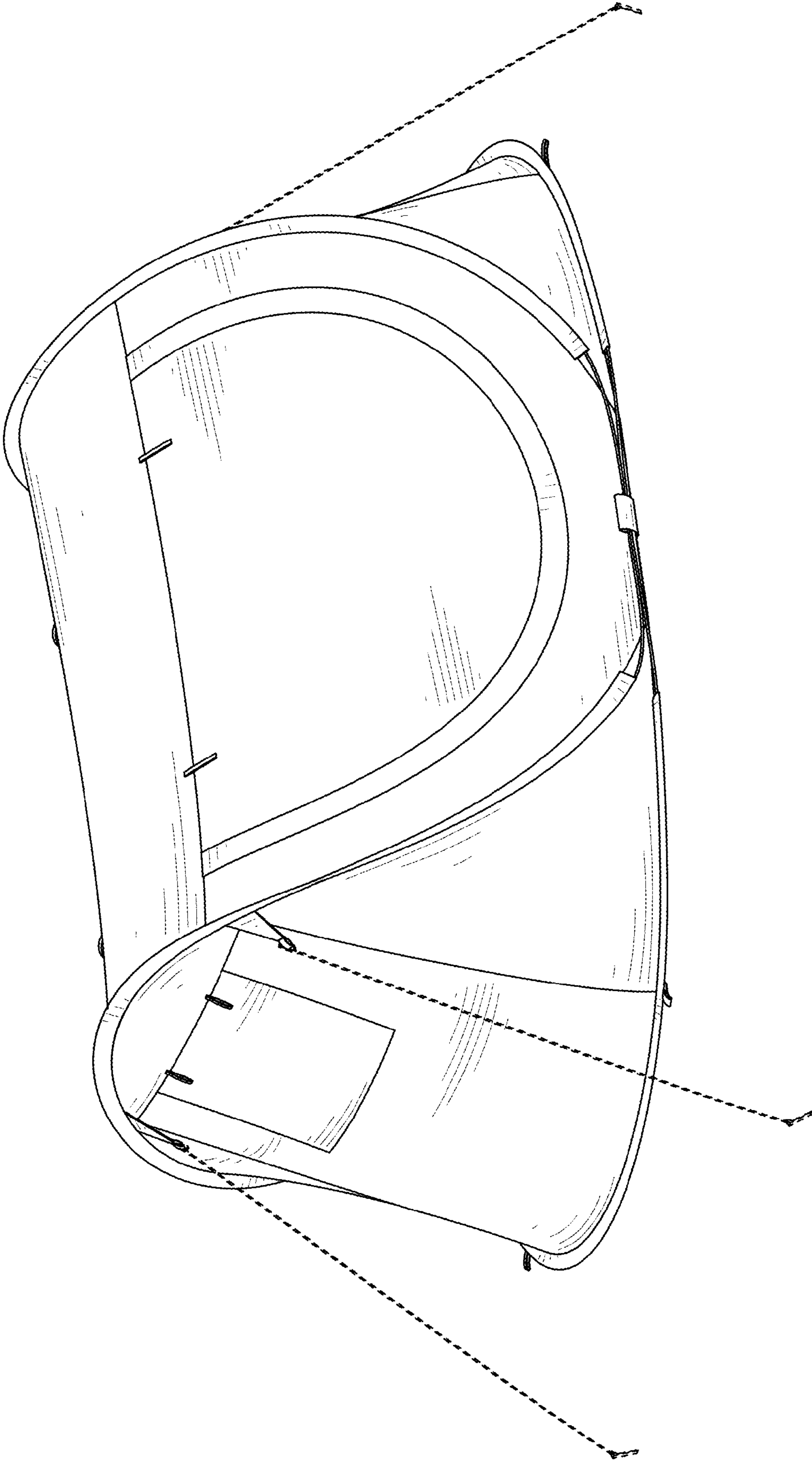


FIG. 2

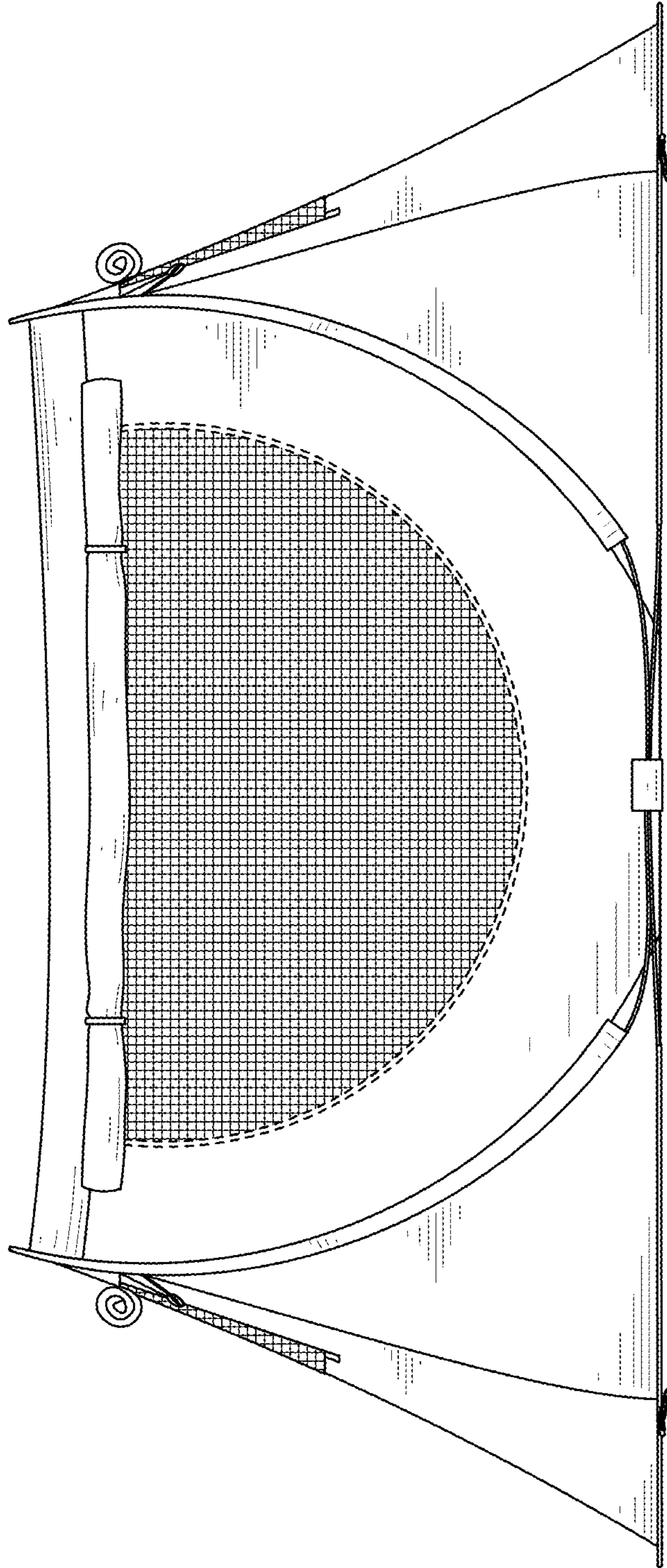


FIG. 3

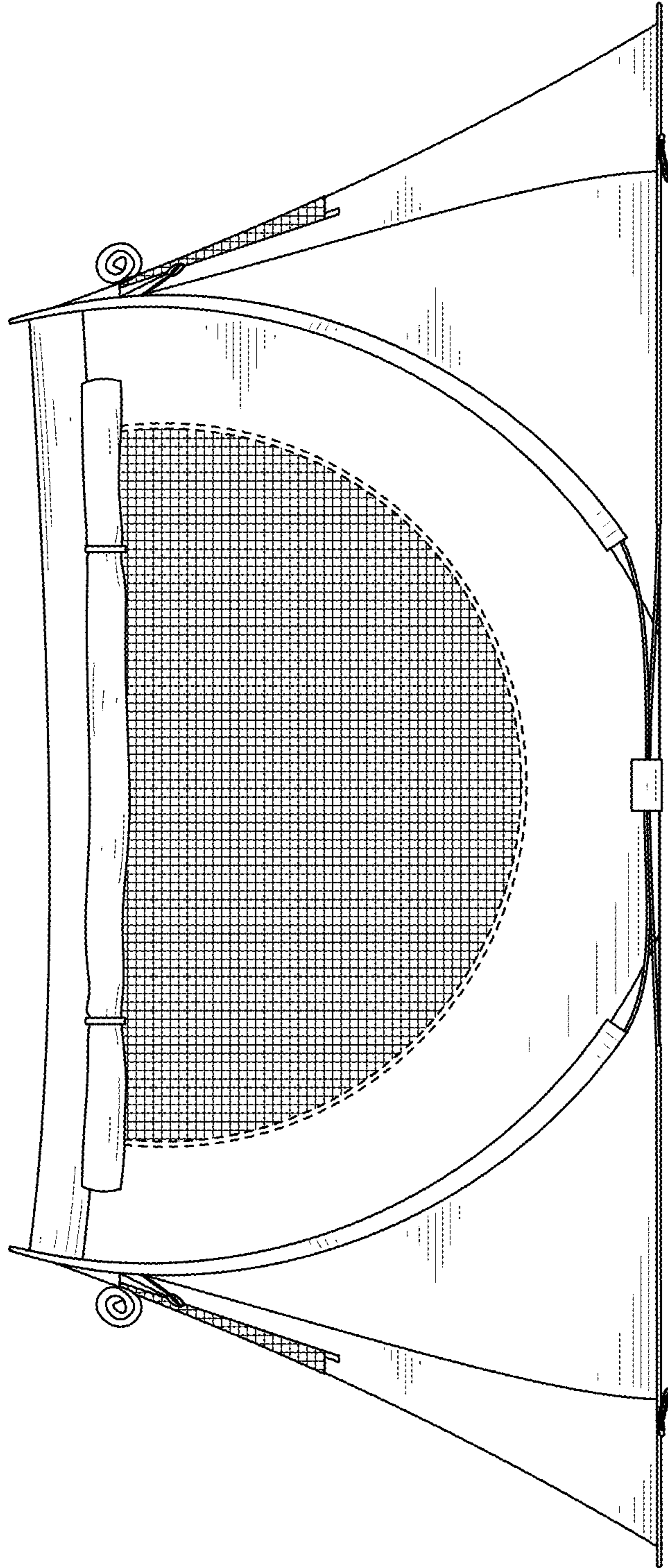


FIG. 4

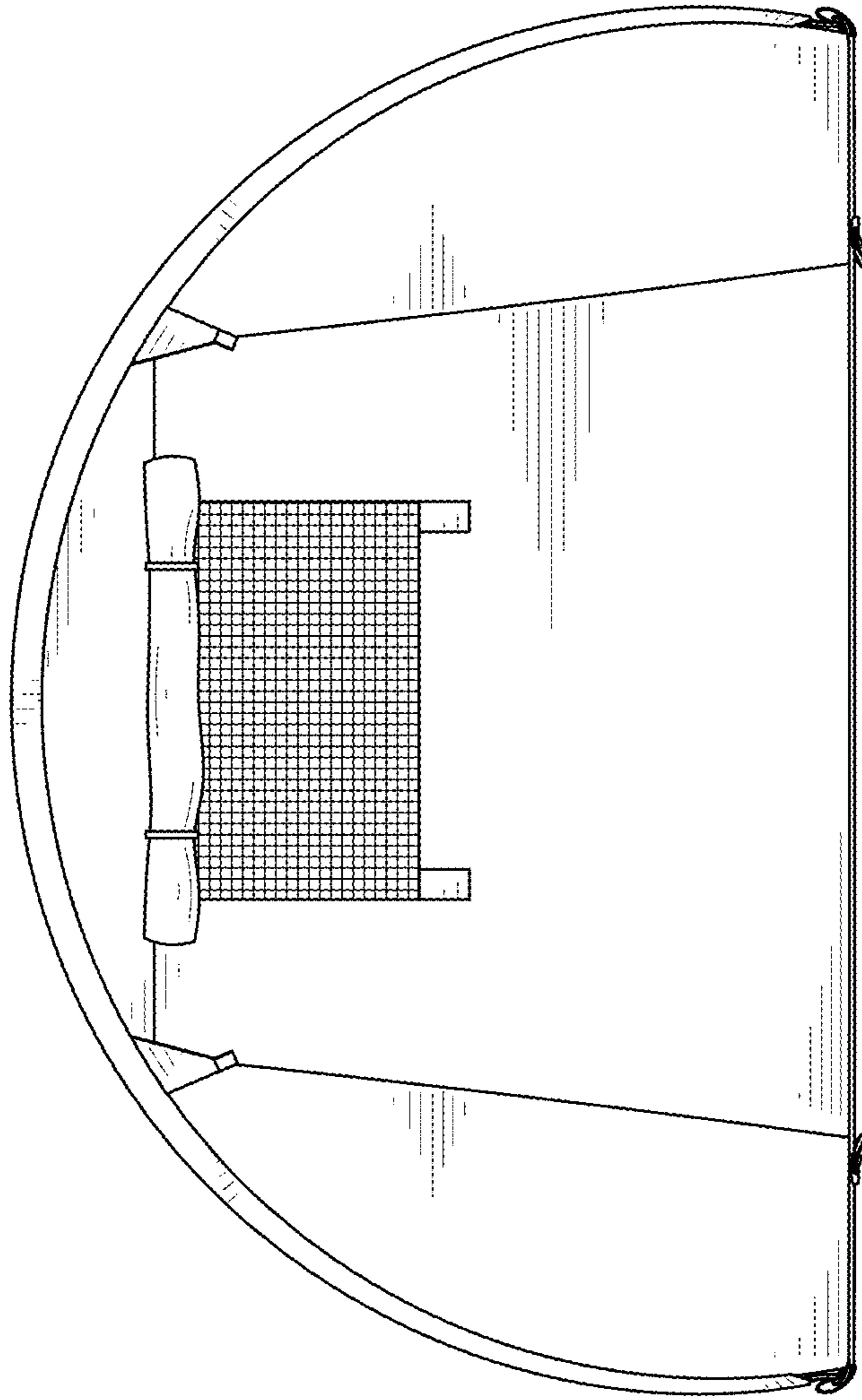


FIG. 5

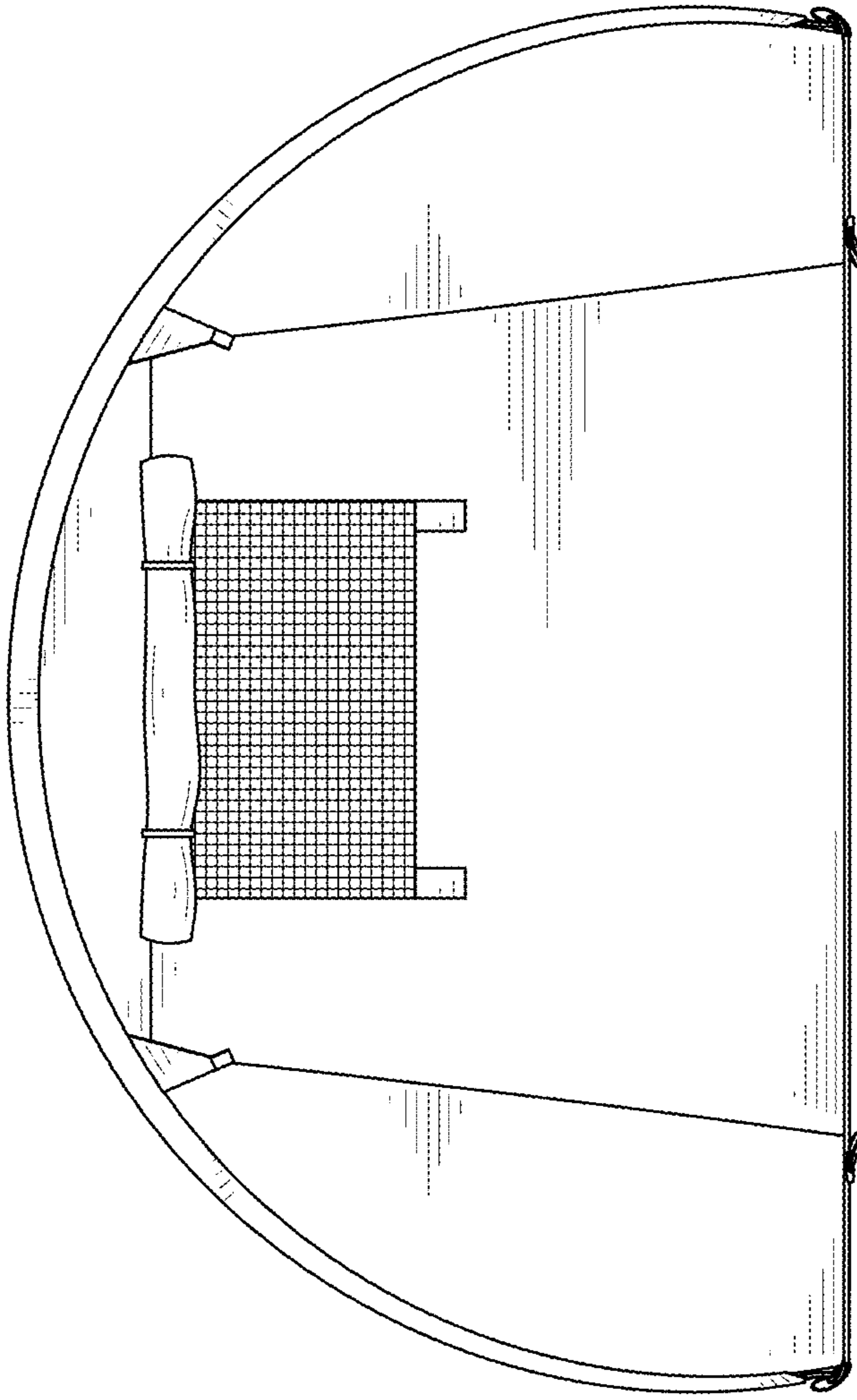


FIG. 6

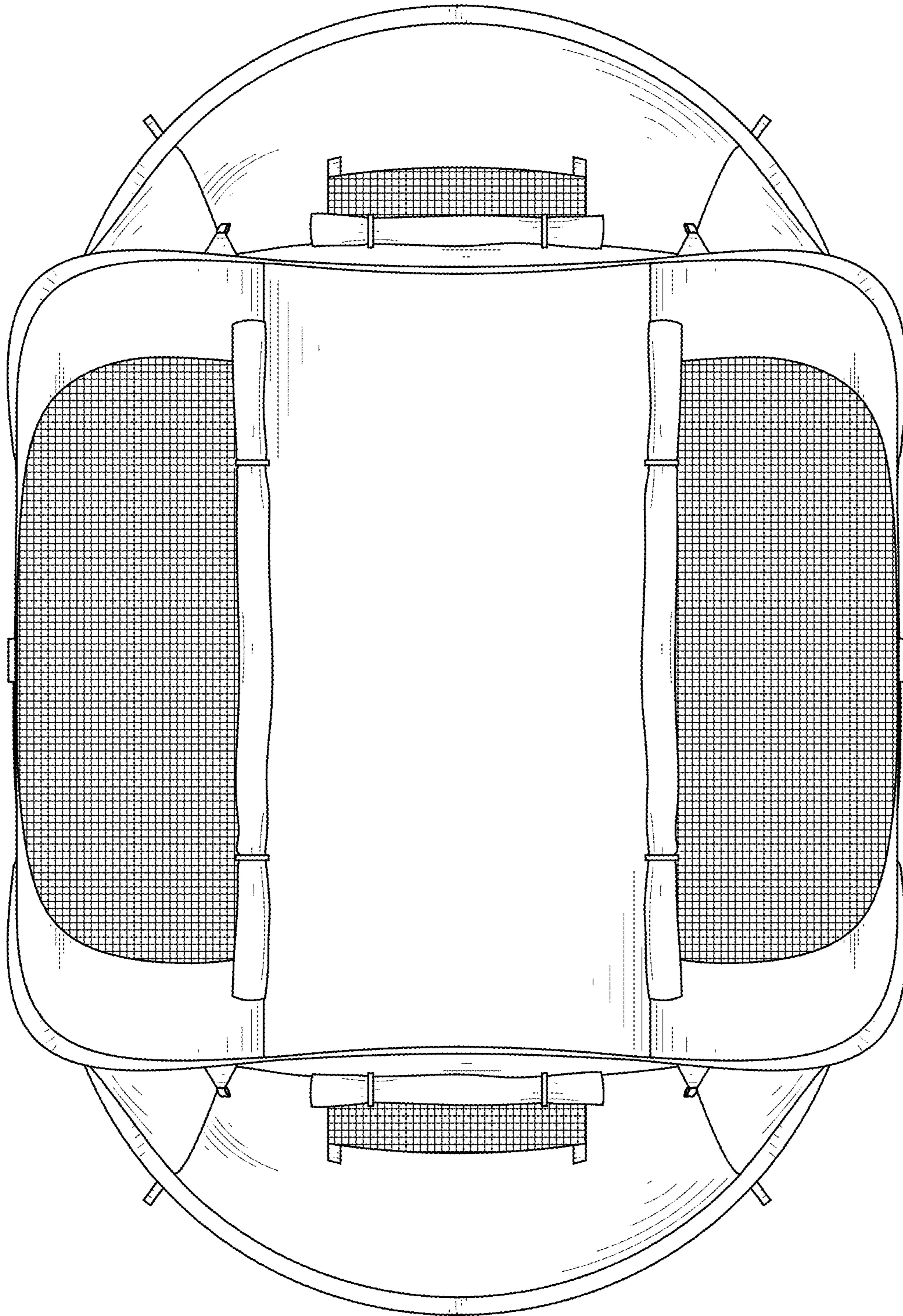


FIG. 7

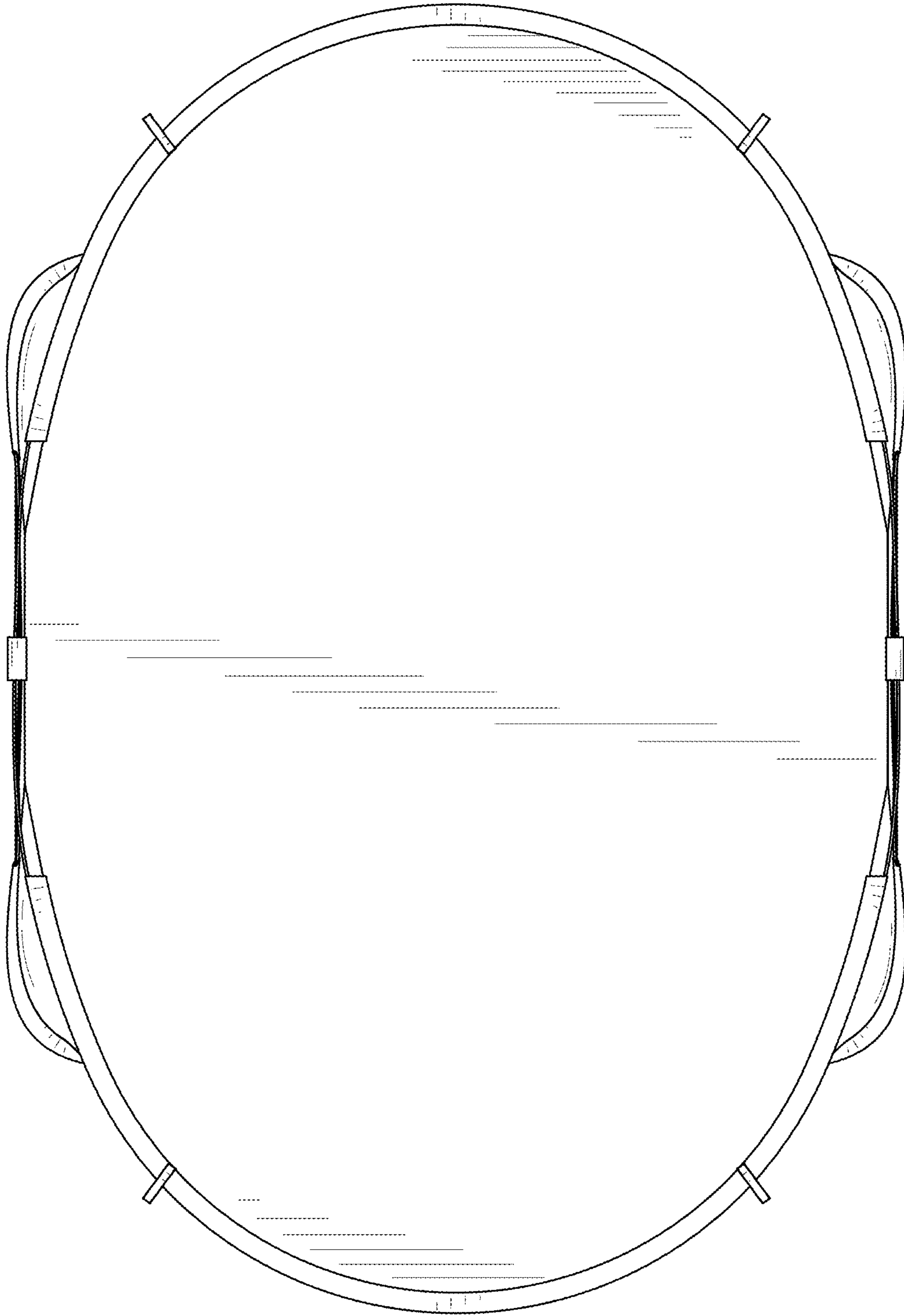


FIG. 8