



US00D916222S

(12) **United States Design Patent**  
**Goserud**

(10) **Patent No.:** **US D916,222 S**  
(45) **Date of Patent:** **\*\* Apr. 13, 2021**

(54) **GOLF PUTTING DEVICE**

(71) Applicant: **J. Thomas Goserud**, Landisville, PA  
(US)

(72) Inventor: **J. Thomas Goserud**, Landisville, PA  
(US)

(\*\*) Term: **15 Years**

(21) Appl. No.: **29/703,800**

(22) Filed: **Aug. 29, 2019**

**Related U.S. Application Data**

(60) Division of application No. 29/634,664, filed on Jan. 24, 2018, now Pat. No. Des. 862,622, which is a continuation-in-part of application No. 29/594,174, filed on Feb. 16, 2017, now Pat. No. Des. 816,178.

(51) **LOC (13) Cl.** ..... **21-02**

(52) **U.S. Cl.**  
USPC ..... **D21/791**

(58) **Field of Classification Search**  
USPC ..... D21/789, 791  
CPC ..... A63B 69/3676; A63B 69/3697; A63B 69/3608; A63B 69/3661; A63B 69/3667; A63B 63/00; A63B 63/007; A63B 57/357; A63B 57/40

See application file for complete search history.

(56) **References Cited**

**U.S. PATENT DOCUMENTS**

- 1,076,722 A \* 10/1913 Treadwell ..... A63B 57/357  
473/187
- 1,229,766 A \* 6/1917 Long ..... A63B 57/40  
473/187
- 1,287,903 A \* 12/1918 Daily ..... A63B 57/357  
473/180
- D174,253 S \* 3/1955 Evans ..... D21/790
- 2,933,318 A \* 4/1960 Boynton ..... A63B 63/00  
473/186

- 3,114,556 A \* 12/1963 Miller ..... A63B 57/357  
473/185
- 3,752,482 A \* 8/1973 Cassel ..... A63B 57/357  
473/169
- 3,938,805 A \* 2/1976 Sakuma ..... A63B 53/14  
473/406
- D242,370 S \* 11/1976 Arndt ..... D21/790
- D257,785 S \* 1/1981 Arndt ..... D21/790
- 4,878,671 A \* 11/1989 Gubany ..... A63B 67/02  
473/195
- 4,906,006 A \* 3/1990 Sigunick ..... A63B 57/357  
473/185

(Continued)

*Primary Examiner* — Mitchell I. Siegel

(74) *Attorney, Agent, or Firm* — Dunlap Bennett & Ludwig, PLLC; Brendan E. Squire

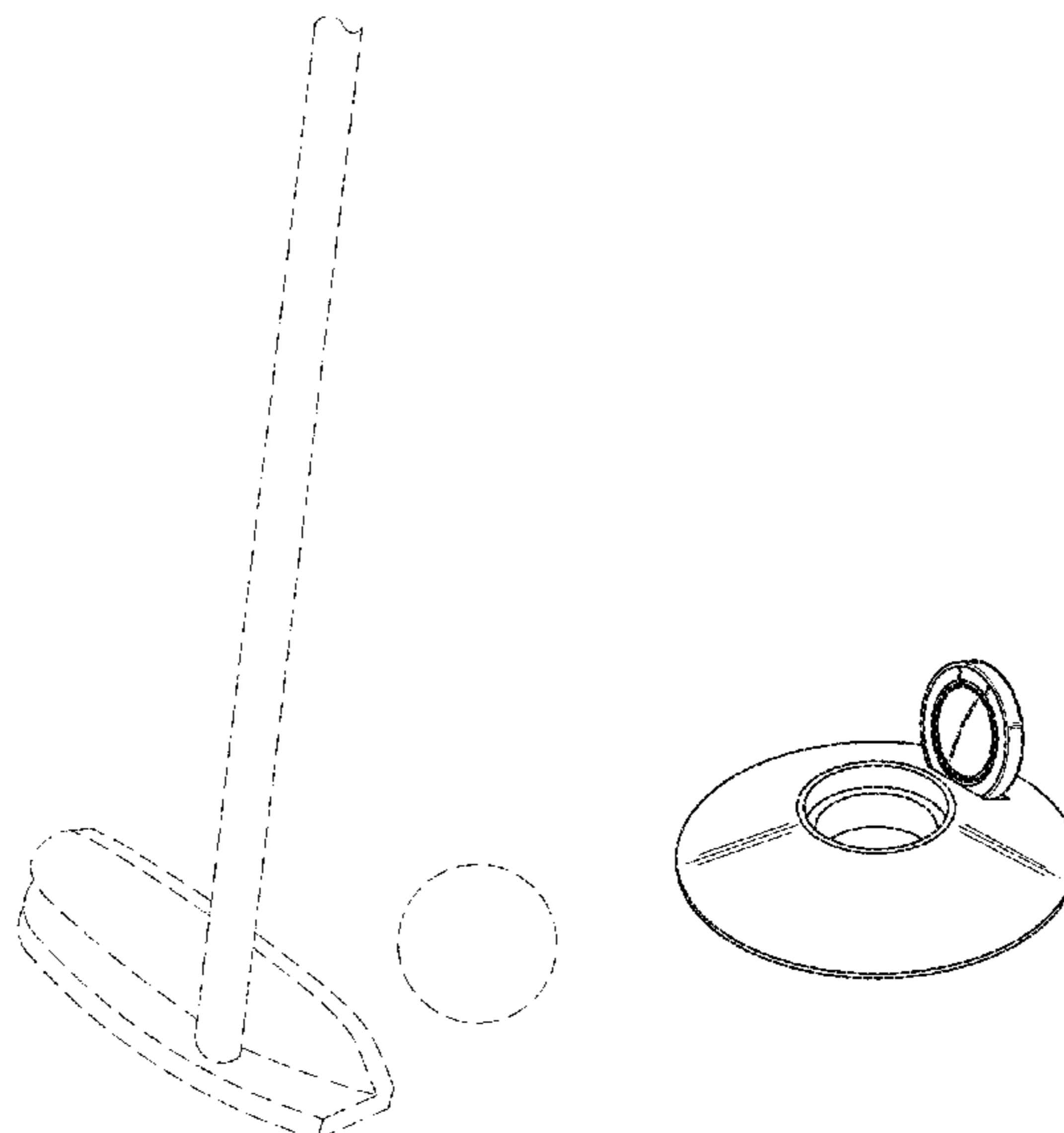
(57) **CLAIM**

The ornamental design for a golf putting device, as shown and described.

**DESCRIPTION**

FIG. 1 is a perspective view of the golf putting device shown in use;  
 FIG. 2 is an enlarged front elevation view of the golf putting device of FIG. 1;  
 FIG. 3 is a rear elevation view of FIG. 2;  
 FIG. 4 is a bottom plan view of FIG. 2;  
 FIG. 5 is a top plan view of FIG. 2;  
 FIG. 6 is a left side elevation view of FIG. 2, the undisclosed right side being a mirror image;  
 FIG. 7 is an enlarged perspective view of the golf putting device of FIG. 1;  
 FIG. 8 is an exploded perspective view of FIG. 7;  
 FIG. 9 is perspective view of a second embodiment of the golf putting device; and,  
 FIG. 10 is an exploded perspective view of FIG. 9.  
 The broken lines representing the putter and ball on the drawing views forms no part of the claimed design.

**1 Claim, 6 Drawing Sheets**



(56)

**References Cited**

U.S. PATENT DOCUMENTS

5,257,808 A \* 11/1993 Mueller ..... A63B 69/3623  
473/174  
D346,831 S \* 5/1994 Adams ..... D21/790  
5,487,545 A \* 1/1996 Schindler ..... A63B 69/3676  
473/187  
D372,062 S \* 7/1996 Spiegel ..... D21/716  
D411,601 S \* 6/1999 Fong ..... D21/791  
5,997,406 A \* 12/1999 Selton ..... A63B 63/007  
473/180  
D540,902 S \* 4/2007 Regalado ..... D21/794  
7,914,387 B1 \* 3/2011 Gugliotti ..... A63B 67/02  
473/174  
D741,972 S \* 10/2015 McDevitt ..... D21/794  
9,327,176 B1 \* 5/2016 Goserud ..... A63B 69/3676  
D780,870 S \* 3/2017 Hamilton ..... A63B 57/40  
D21/791  
D795,376 S \* 8/2017 Keisler ..... D21/791  
D816,178 S \* 4/2018 Goserud ..... D21/794  
D862,622 S \* 10/2019 Goserud ..... D21/791  
D870,222 S \* 12/2019 Mcilvain ..... D21/791

\* cited by examiner

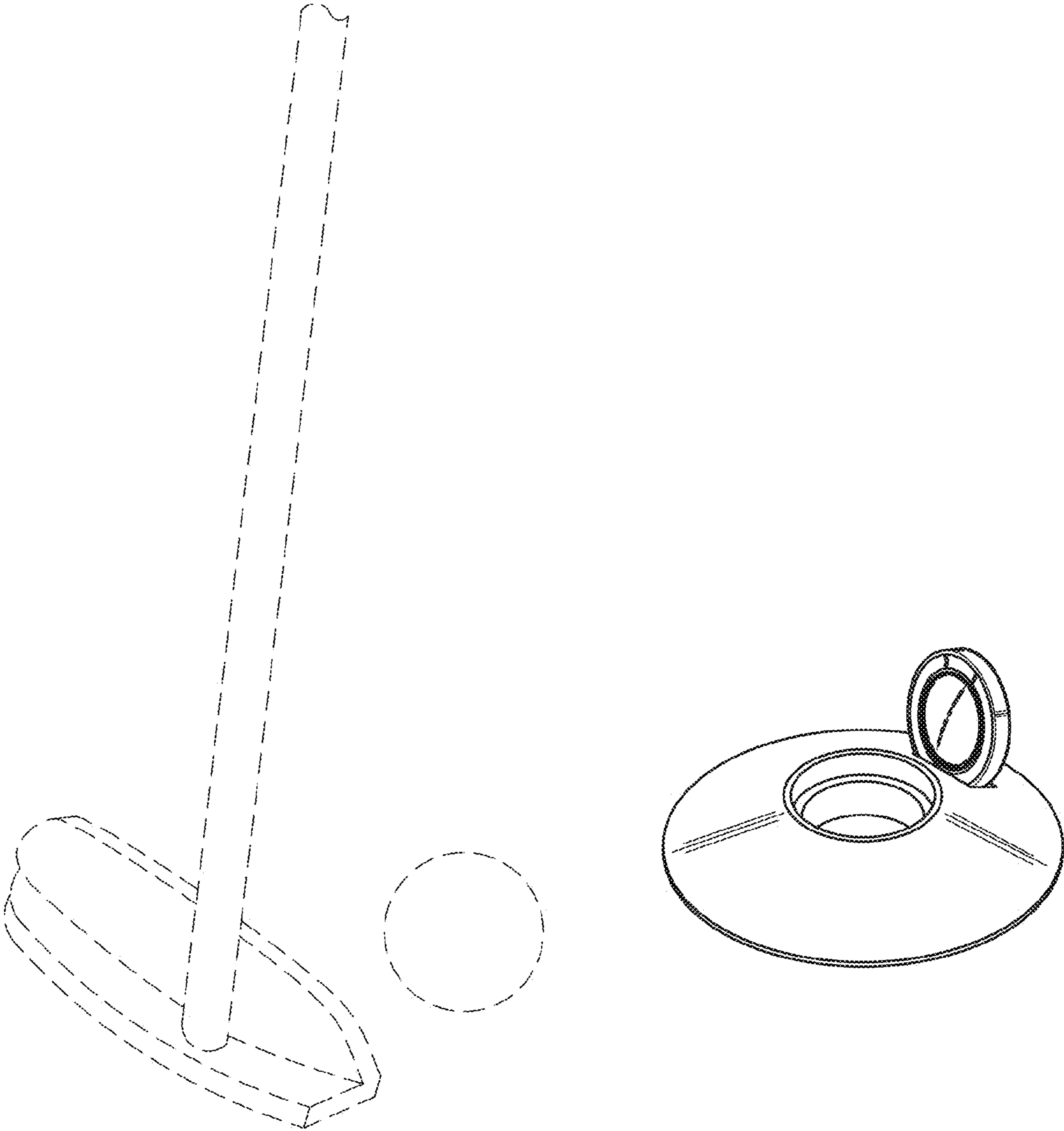


FIG. 1

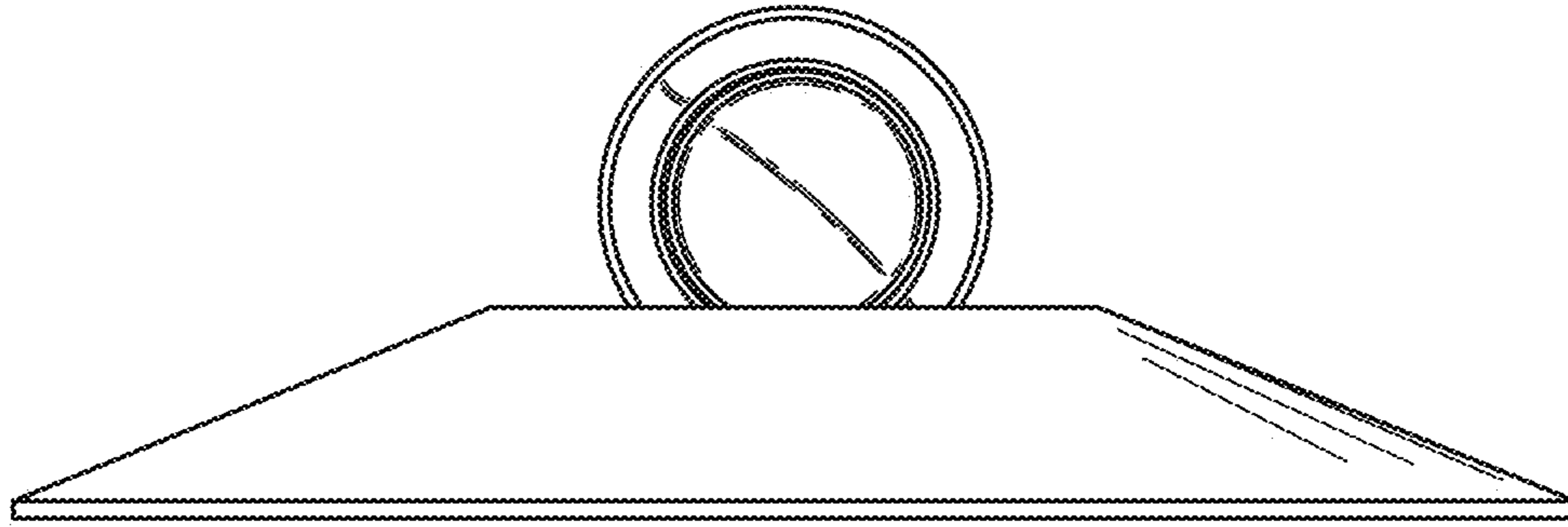


FIG. 2

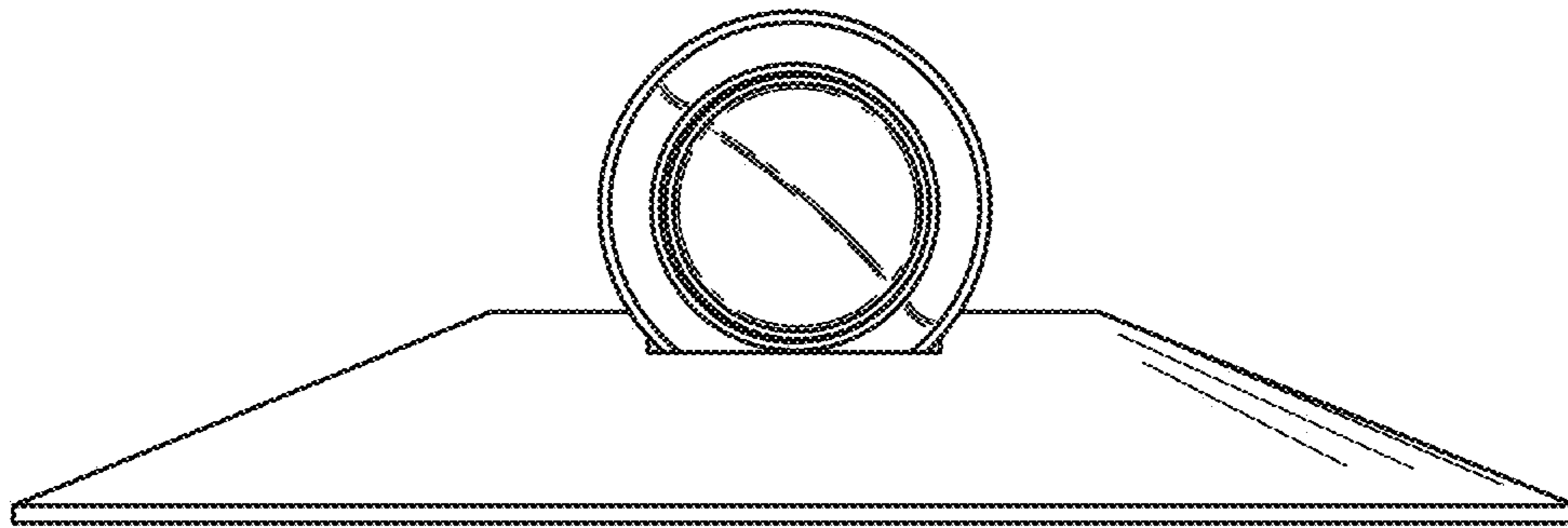


FIG. 3

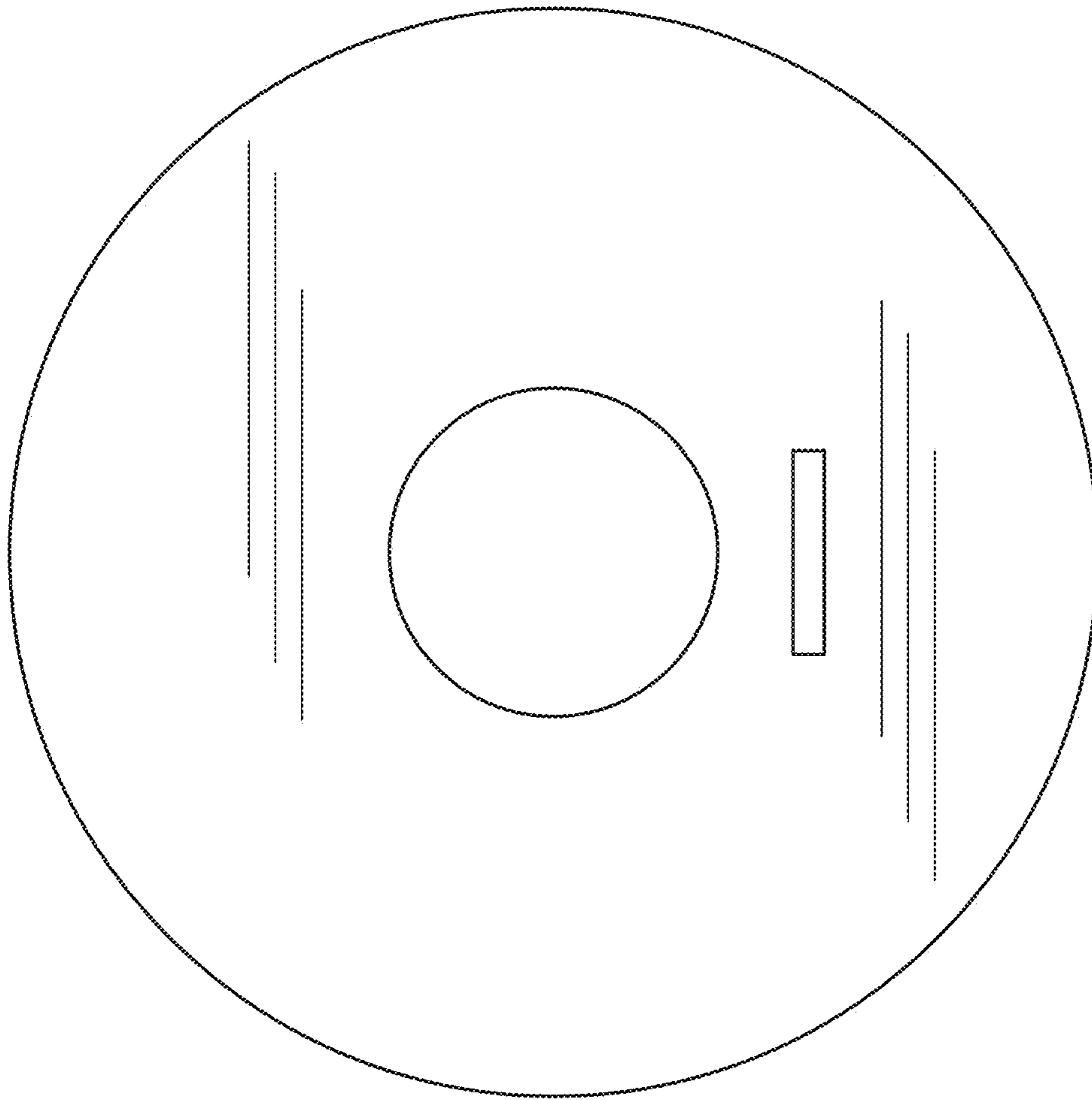


FIG. 4

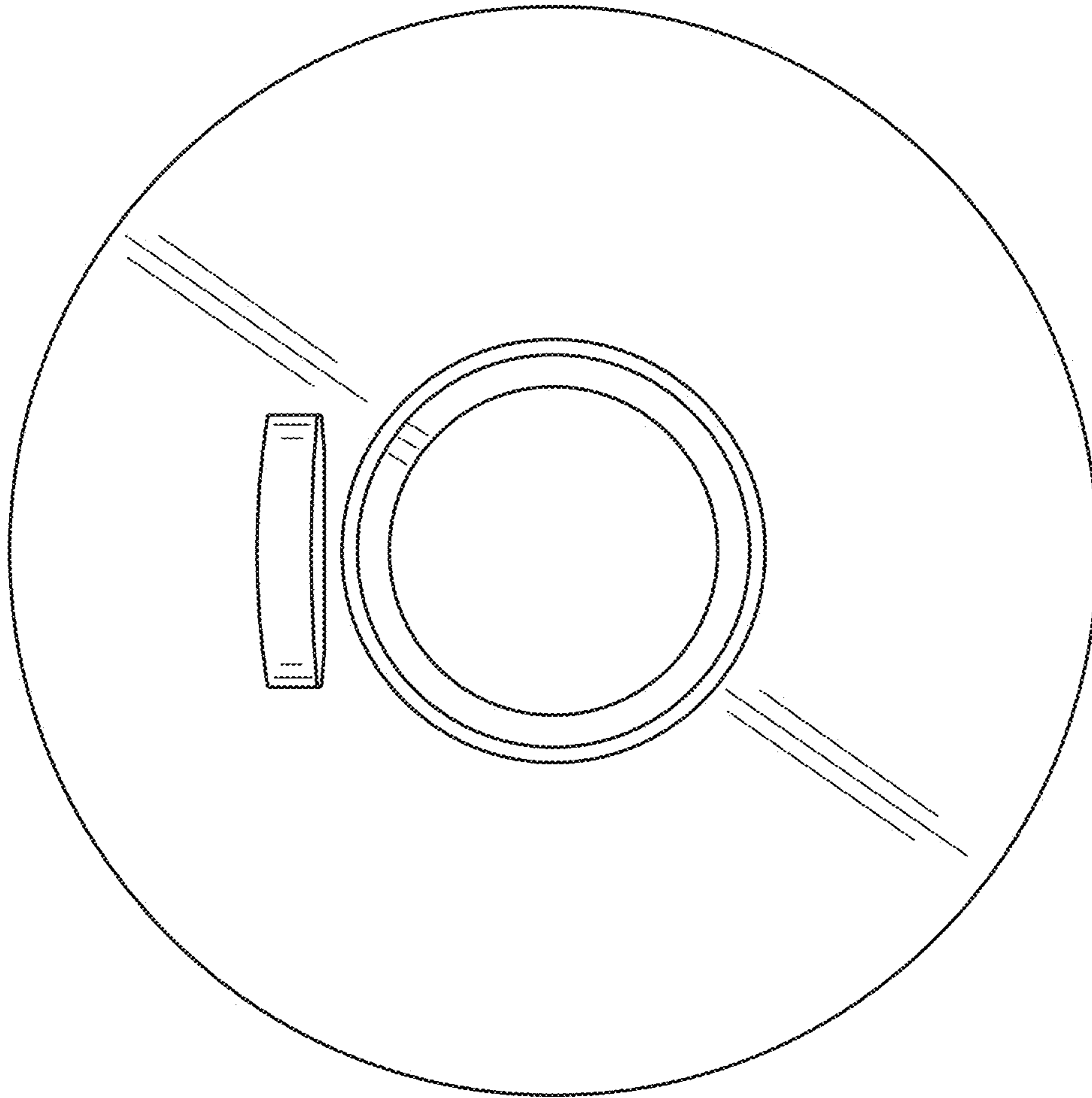


FIG. 5

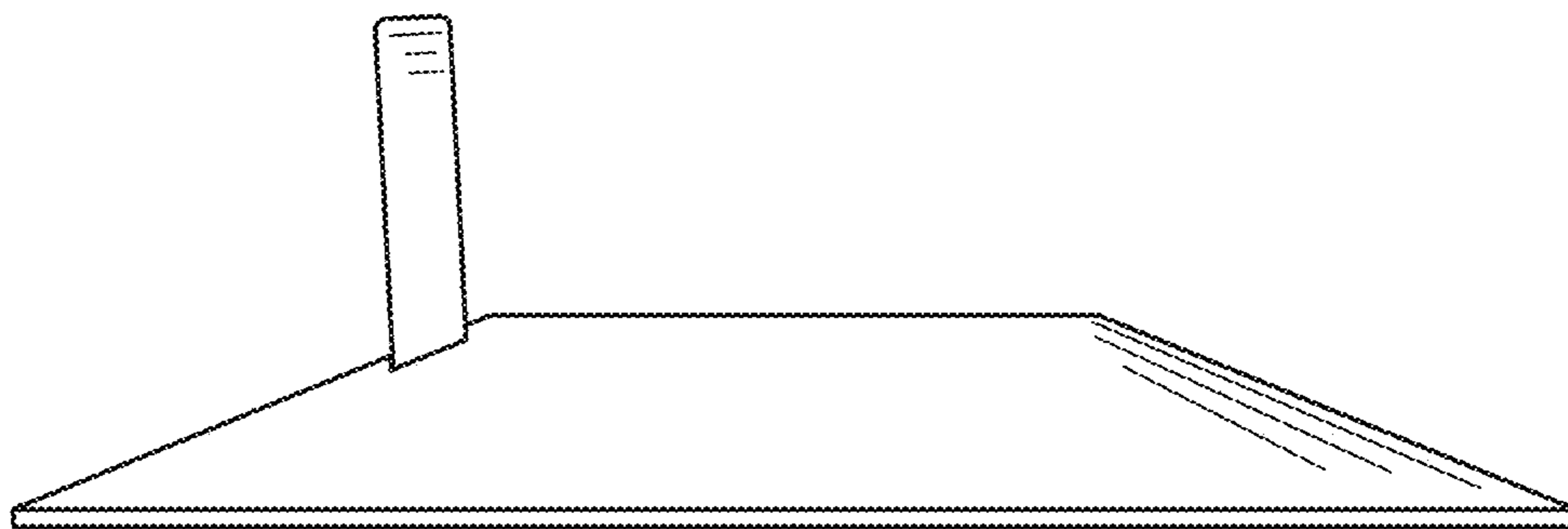


FIG. 6

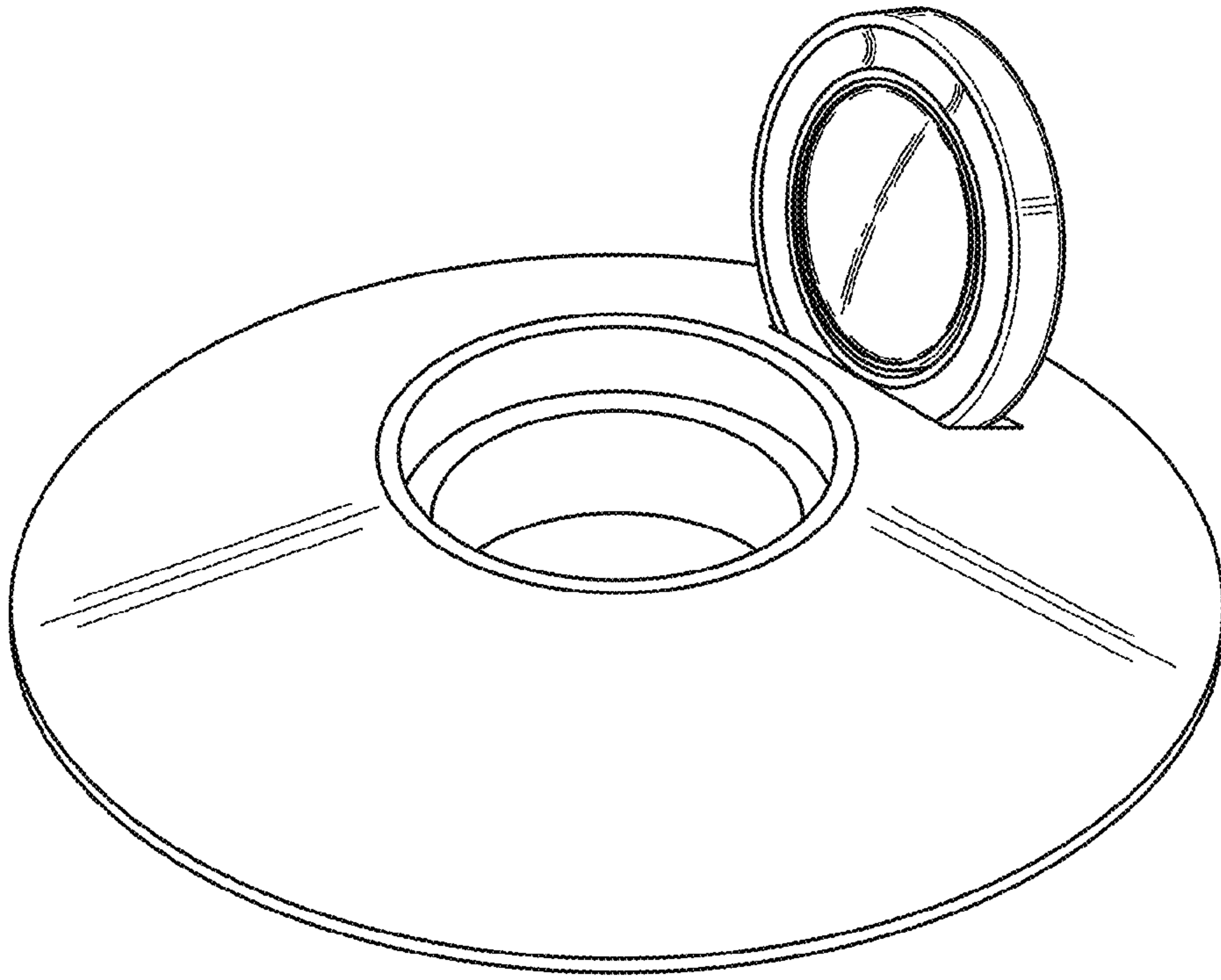
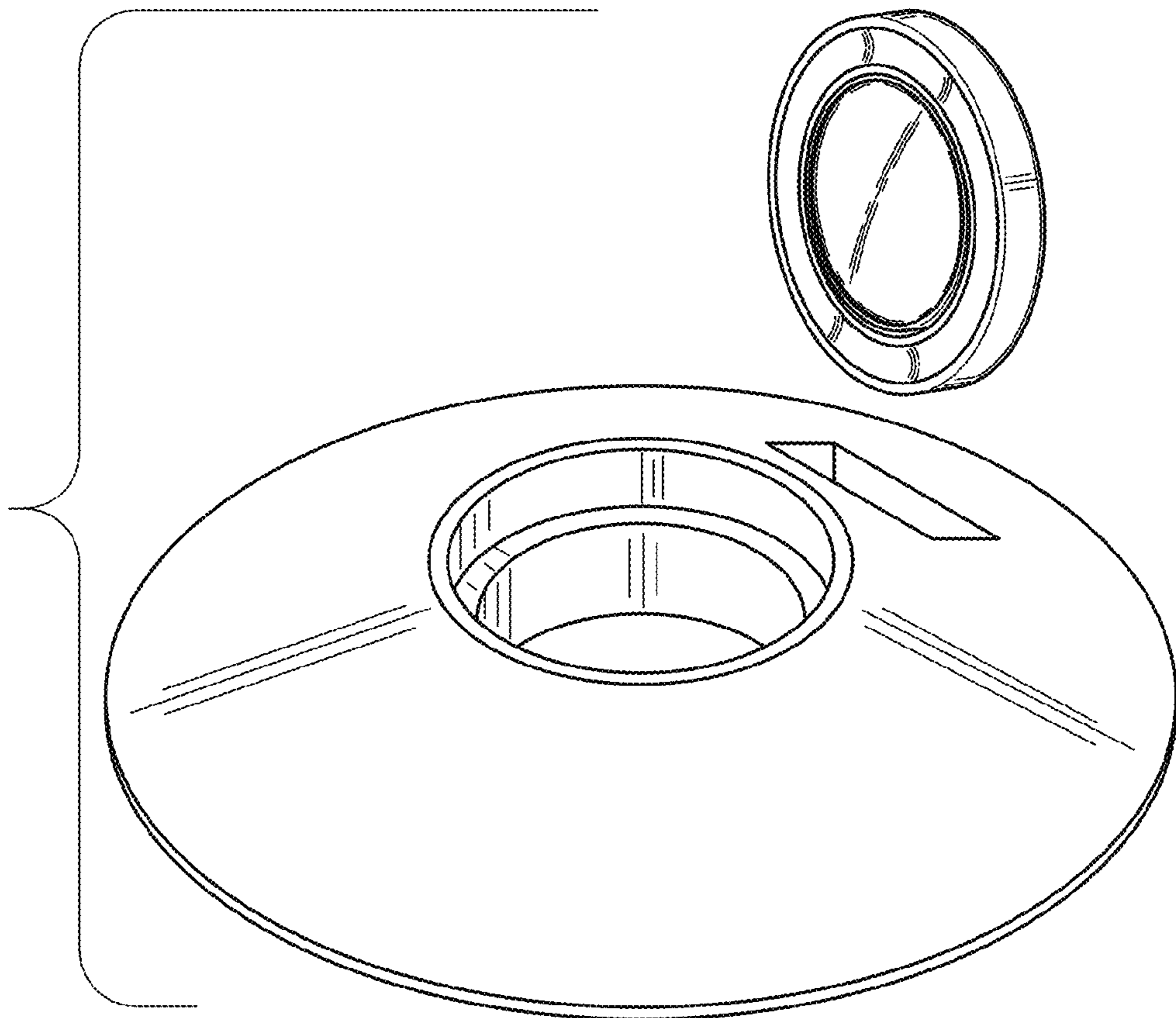


FIG. 7

FIG. 8



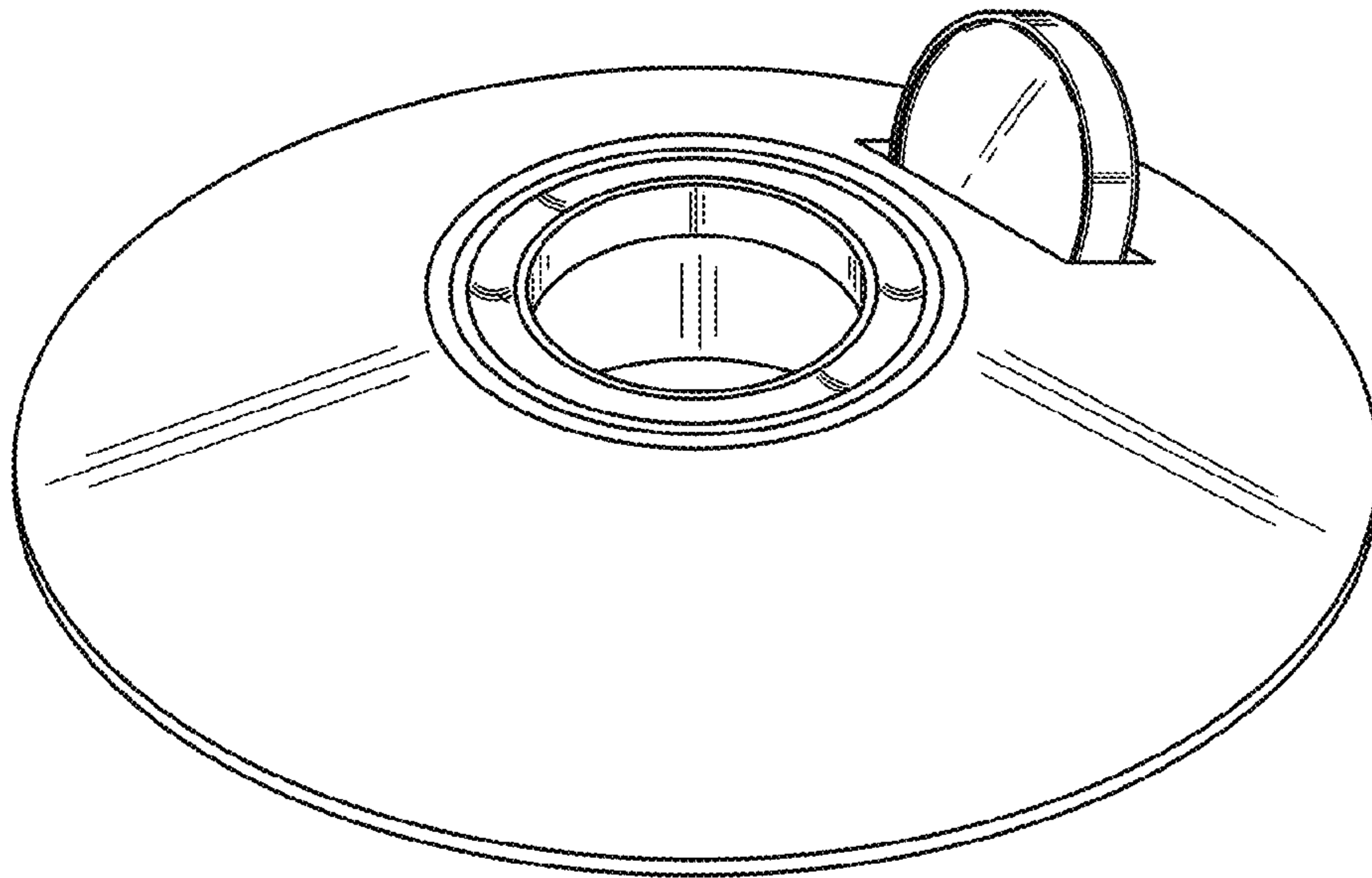


FIG. 9

FIG. 10

