



US00D916220S

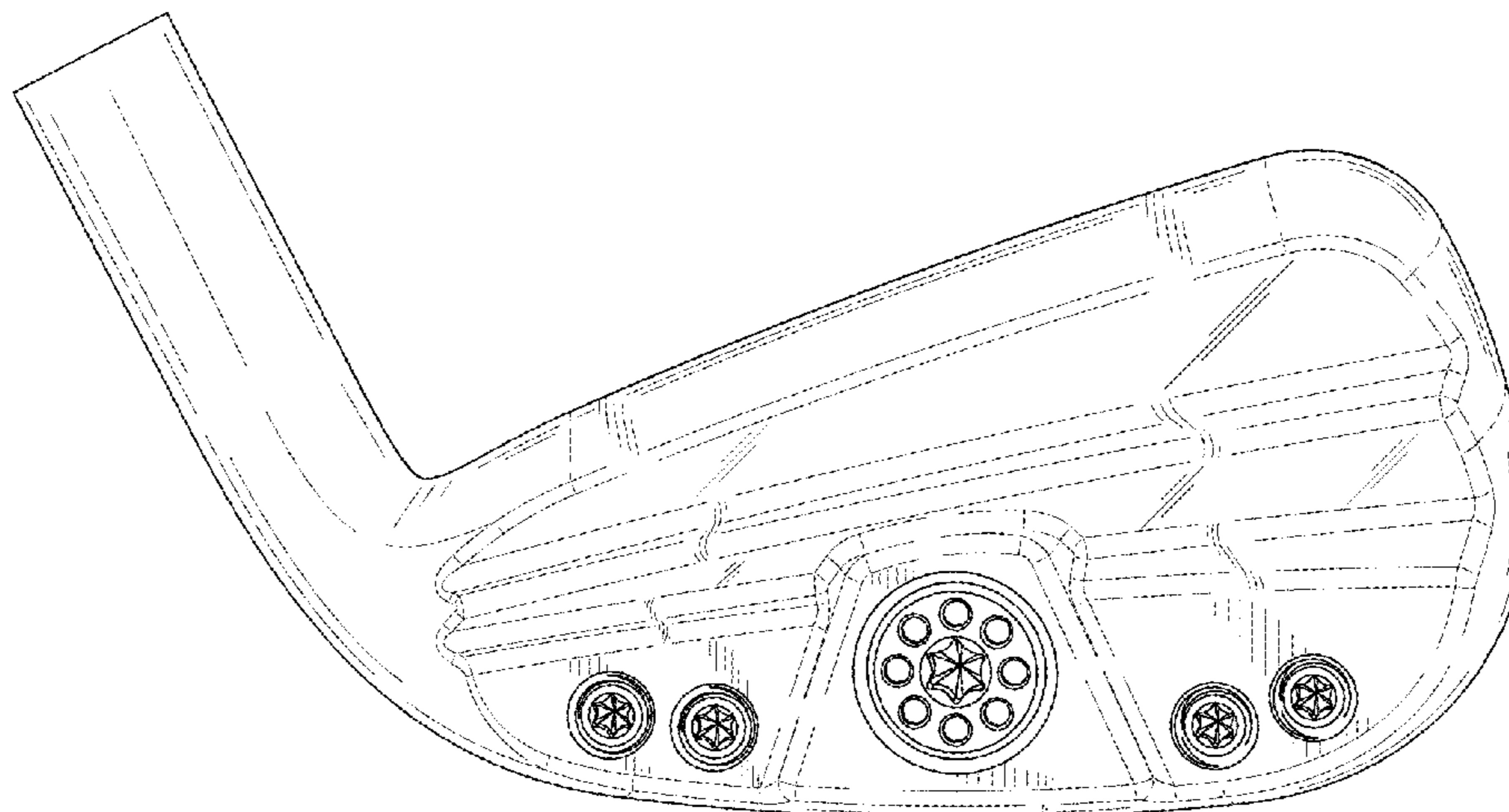
(12) **United States Design Patent** (10) **Patent No.:** **US D916,220 S**
Parsons et al. (45) **Date of Patent:** **** Apr. 13, 2021**

(54) GOLF CLUB HEAD	4,754,977 A *	7/1988	Sahm	A63B 53/047 473/337
(71) Applicant: PARSONS XTREME GOLF, LLC, Scottsdale, AZ (US)	4,824,116 A 4,988,104 A 5,158,296 A 5,176,384 A	4/1989 1/1991 10/1992 1/1993	Nagamoto et al. Shiotani et al. Lee Sala et al.	
(72) Inventors: Robert R. Parsons, Scottsdale, AZ (US); Michael R. Nicolette, Scottsdale, AZ (US); Bradley D. Schweigert, Cave Creek, AZ (US)	5,213,328 A D336,672 S D353,862 S D357,520 S 5,419,560 A 5,425,535 A D361,358 S 5,447,311 A 5,451,056 A D362,884 S D362,885 S D362,887 S	5/1993 6/1993 12/1994 4/1995 5/1995 6/1995 8/1995 9/1995 9/1995 10/1995 10/1995 10/1995	Long et al. Gorman Saito Helmstetter et al. Bamber Gee Simmons Viollaz et al. Manning Blough et al. Blough et al. Blough et al.	
(73) Assignee: PARSONS XTREME GOLF, LLC, Scottsdale, AZ (US)	D370,514 S 5,540,437 A D379,106 S 5,637,045 A 5,669,830 A D389,540 S D389,541 S D395,476 S 5,766,091 A 5,766,092 A D399,277 S 5,827,132 A D408,485 S 5,899,821 A 5,935,016 A D414,535 S D421,080 S *	6/1996 7/1996 5/1997 6/1997 9/1997 1/1998 1/1998 6/1998 6/1998 6/1998 10/1998 10/1998 4/1999 5/1999 8/1999 9/1999 2/2000	Blough et al. Bamber Maltby Igarashi Bamber Mendenhall Huan-Chiang Pond et al. Humphrey et al. Mimeur et al. Ezaki Bamber Takahashi et al. Hsu et al. Antonious Mertens Chen	D21/747
(**) Term: 15 Years	D426,276 S D426,476 S 6,077,171 A *	6/2000 6/2000 6/2000	Besnard et al. Goss Yoneyama	
(21) Appl. No.: 29/745,151				
(22) Filed: Aug. 4, 2020				
(51) LOC (13) Cl.	21-02			
(52) U.S. Cl. USPC	D21/747			
(58) Field of Classification Search USPC	D21/747-751, 759			
CPC	A63B 53/00; A63B 53/02; A63B 53/04; A63B 53/047; A63B 53/0475; A63B 2053/0479; A63B 60/00; A63B 60/46; A63B 2053/0483; A63B 2053/0445			
	See application file for complete search history.			
(56) References Cited				

U.S. PATENT DOCUMENTS

1,133,129 A	3/1915	Govan
D164,469 S	9/1951	Behrendt
D175,107 S	7/1955	Gordon
3,020,048 A	2/1962	Carroll
D203,936 S	3/1966	Long
D215,101 S	9/1969	Sabat
D234,963 S	4/1975	Hirata
D239,550 S	4/1976	Timbrook
D240,054 S	5/1976	Meissler
D244,792 S	6/1977	Gelinas
D250,136 S	10/1978	Gelinas
D261,167 S	10/1981	Swanson
D294,617 S	3/1988	Perkins

D442,659 S	5/2001	Kubica et al.
D443,008 S	5/2001	Kubica et al.
D445,862 S	7/2001	Ford
6,290,609 B1	9/2001	Takeda
D449,866 S	10/2001	Miller
D457,211 S	5/2002	Bakke
D458,328 S	6/2002	Solheim et al.
D469,833 S	2/2003	Roberts et al.
D473,605 S	4/2003	Petersen et al.
D476,048 S	6/2003	Cleveland et al.
D478,949 S	8/2003	DeLaCruz
6,638,182 B2	10/2003	Kosmatka
6,695,714 B1	2/2004	Bliss et al.
6,702,693 B2	3/2004	Bamber



D748,214 S * 1/2016 Nicolette D21/747
 D748,749 S * 2/2016 Nicolette D21/759
 D756,471 S * 5/2016 Nicolette D21/747
 9,346,203 B2 * 5/2016 Parsons A63B 53/0475
 D764,610 S 8/2016 Parsons et al.
 9,421,437 B2 8/2016 Parsons et al.
 9,427,634 B2 8/2016 Parsons et al.
 9,468,821 B2 * 10/2016 Parsons A63B 60/02
 D773,575 S * 12/2016 Nicolette D21/747
 9,533,201 B2 * 1/2017 Parsons A63B 60/54
 9,649,542 B2 * 5/2017 Nicolette A63B 53/0475
 D802,068 S * 11/2017 Parsons D21/747
 9,814,952 B2 * 11/2017 Parsons A63B 60/02
 D816,787 S * 5/2018 Nicolette D21/747
 D825,891 S * 8/2018 Parsons D2/747
 D827,065 S * 8/2018 Nicolette D21/747
 D835,737 S * 12/2018 Parsons D21/747
 D852,302 S * 6/2019 Parsons D21/747
 D856,451 S * 8/2019 Parsons D21/747
 D863,478 S * 10/2019 Parsons D21/747
 10,632,349 B2 * 4/2020 Parsons A63B 53/04
 D893,647 S * 8/2020 Parsons D21/747
 D893,648 S * 8/2020 Parsons D21/747
 D894,302 S * 8/2020 Parsons D21/747
 10,729,948 B2 * 8/2020 Parsons A63B 53/047
 10,729,949 B2 * 8/2020 Parsons A63B 60/54
 D898,143 S * 10/2020 Parsons D21/747
 D898,144 S * 10/2020 Parsons D21/747
 D898,145 S * 10/2020 Parsons D21/747
 10,874,919 B2 * 12/2020 Parsons A63B 53/04
 2002/0107087 A1 8/2002 Fagot
 2003/0139226 A1 7/2003 Cheng et al.
 2003/0176231 A1 9/2003 Hasebe
 2004/0204263 A1 10/2004 Fagot et al.
 2005/0009632 A1 1/2005 Schweigert et al.
 2005/0014573 A1 1/2005 Lee
 2005/0096148 A1 5/2005 Noble et al.
 2005/0119066 A1 6/2005 Stites et al.
 2005/0239569 A1 10/2005 Best et al.
 2005/0277485 A1 12/2005 Hou et al.
 2006/0111200 A1 5/2006 Poynor
 2007/0032308 A1 2/2007 Fagot et al.
 2007/0225084 A1 9/2007 Schweigert et al.
 2008/0058113 A1 3/2008 Nicolette et al.
 2008/0188322 A1 8/2008 Anderson et al.
 2008/0300065 A1 12/2008 Schweigert
 2009/0029790 A1 1/2009 Nicolette et al.
 2010/0130306 A1 5/2010 Schweigert
 2010/0178999 A1 7/2010 Nicolette et al.
 2011/0111883 A1 5/2011 Cackett
 2011/0165963 A1 7/2011 Cackett et al.
 2011/0269567 A1 11/2011 Ban et al.
 2011/0294596 A1 12/2011 Ban
 2013/0137532 A1 5/2013 Deshmukh et al.
 2013/0225319 A1 8/2013 Kato
 2013/0281226 A1 10/2013 Ban
 2013/0288823 A1 10/2013 Hebreo
 2013/0303303 A1 11/2013 Ban
 2013/0310192 A1 11/2013 Wahl et al.
 2014/0080621 A1 3/2014 Nicolette et al.
 2014/0128175 A1 5/2014 Jertson et al.
 2014/0274441 A1 9/2014 Greer
 2014/0274451 A1 9/2014 Knight
 2015/0231454 A1 8/2015 Parsons et al.
 2015/0231806 A1 8/2015 Parsons et al.
 2015/0328508 A1 * 11/2015 Parsons A63B 53/0475
 473/350
 2017/0368429 A1 * 12/2017 Parsons A63B 60/02
 2018/0104551 A1 * 4/2018 Parsons A63B 53/047
 2018/0140910 A1 * 5/2018 Parsons A63B 53/0466
 2018/0169488 A1 * 6/2018 Parsons A63B 53/047
 2018/0207494 A1 * 7/2018 Parsons A63B 53/0466
 2018/0221727 A1 * 8/2018 Parsons A63B 53/047
 2018/0236325 A1 * 8/2018 Parsons A63B 53/0466
 2018/0318673 A1 * 11/2018 Parsons A63B 53/0487
 2019/0143183 A1 * 5/2019 Parsons A63B 60/02
 473/346
 2019/0201758 A1 * 7/2019 Parsons A63B 53/0487
 2019/0232124 A1 * 8/2019 Parsons A63B 53/0487

2019/0232125 A1 * 8/2019 Parsons A63B 60/02
 2019/0232126 A1 * 8/2019 Nicolette A63B 53/0475
 2019/0240549 A1 * 8/2019 Parsons A63B 53/047
 2019/0247726 A1 * 8/2019 Parsons A63B 53/0408
 2019/0247727 A1 * 8/2019 Parsons A63B 53/0475
 2020/0047038 A1 * 2/2020 Parsons A63B 53/0475
 2020/0070018 A1 * 3/2020 Parsons A63B 53/0466
 2020/0346082 A1 * 11/2020 Parsons A63B 53/0475
 2020/0353326 A1 * 11/2020 Parsons A63B 53/0487
 2020/0376353 A1 * 12/2020 Parsons A63B 53/047
 2021/0008420 A1 * 1/2021 Parsons A63B 53/0466
 2021/0016141 A1 * 1/2021 Parsons A63B 60/02

OTHER PUBLICATIONS

International Search Report and Written Opinion issued in connection with corresponding application No. PCT/US2015/016666, dated May 14, 2015 (8 pages).

Kozuchowski, Zak. “Callaway Mack Daddy 2 PM Grind Wedges” (<http://www.golfwrx.com/276203/callaway-mack-daddy-2-pm-grind-wedges/>), www.golfwrx.com, GolfWRX Holdings, LLC, published Jan. 21, 2015.

Wall, Jonathan, “Details: Phil’s Prototype Mack Daddy PM-Grind Wedge,” (<http://www.pgatour.com/equipmentreport/2015/01/21/callaway-wedge.html>), www.pgatour.com, PGA Tour, Inc., published Jan. 21, 2015.

* cited by examiner

Primary Examiner — Mitchell I. Siegel

(57)

CLAIM

The ornamental design for a golf club head, as shown and described.

DESCRIPTION

FIG. 1 is a top perspective view of a golf club head;
 FIG. 2 is a bottom perspective view of the golf club head of FIG. 1;
 FIG. 3 is a front elevational view of the golf club head of FIG. 1;
 FIG. 4 is a rear elevational view of the golf club head of FIG. 1;
 FIG. 5 is a top view of the golf club head of FIG. 1;
 FIG. 6 is a bottom view of the golf club head of FIG. 1;
 FIG. 7 is a left side view of the golf club head of FIG. 1;
 FIG. 8 is a right side view of the golf club head of FIG. 1;
 FIG. 9 is a top perspective view of a golf club head;
 FIG. 10 is a bottom perspective view of the golf club head of FIG. 9;
 FIG. 11 is a front elevational view of the golf club head of FIG. 9;
 FIG. 12 is a rear elevational view of the golf club head of FIG. 9;
 FIG. 13 is a top view of the golf club head of FIG. 9;
 FIG. 14 is a bottom view of the golf club head of FIG. 9;
 FIG. 15 is a left side view of the golf club head of FIG. 9;
 FIG. 16 is a right side view of the golf club head of FIG. 9;
 FIG. 17 is a top perspective view of a golf club head;
 FIG. 18 is a bottom perspective view of the golf club head of FIG. 17;
 FIG. 19 is a front elevational view of the golf club head of FIG. 17;
 FIG. 20 is a rear elevational view of the golf club head of FIG. 17;
 FIG. 21 is a top view of the golf club head of FIG. 17;
 FIG. 22 is a bottom view of the golf club head of FIG. 17;

FIG. 23 is a left side view of the golf club head of FIG. 17;
FIG. 24 is a right side view of the golf club head of FIG. 17;
FIG. 25 is a top perspective view of a golf club head;
FIG. 26 is a bottom perspective view of the golf club head
of FIG. 25;
FIG. 27 is a front elevational view of the golf club head of
FIG. 25;
FIG. 28 is a rear elevational view of the golf club head of
FIG. 25;
FIG. 29 is a top view of the golf club head of FIG. 25;
FIG. 30 is a bottom view of the golf club head of FIG. 25;
FIG. 31 is a left side view of the golf club head of FIG. 25;
and,
FIG. 32 is a right side view of the golf club head of FIG. 25.
The broken lines shown on the drawings form no part of the
claimed design.

1 Claim, 16 Drawing Sheets

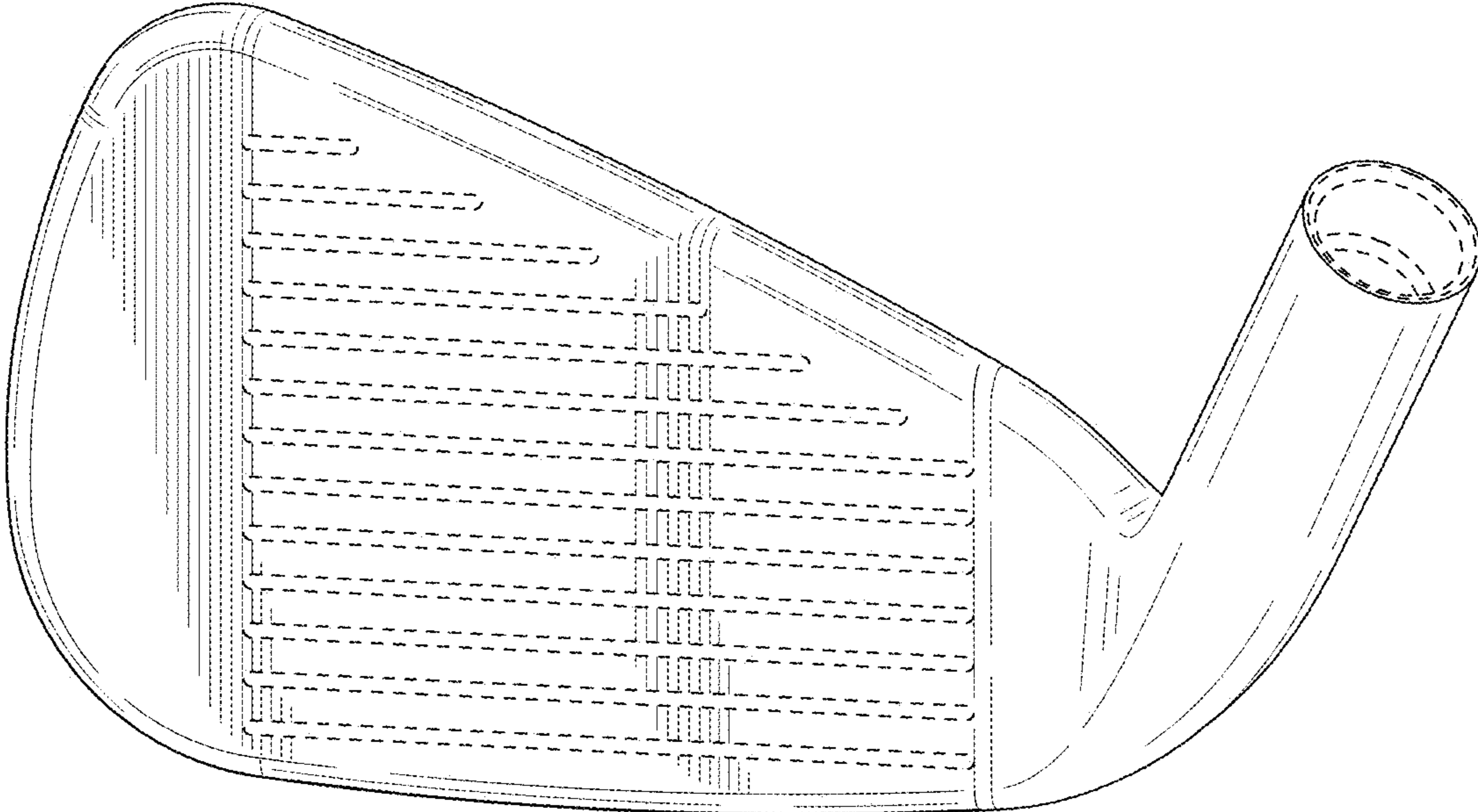


FIG. 1

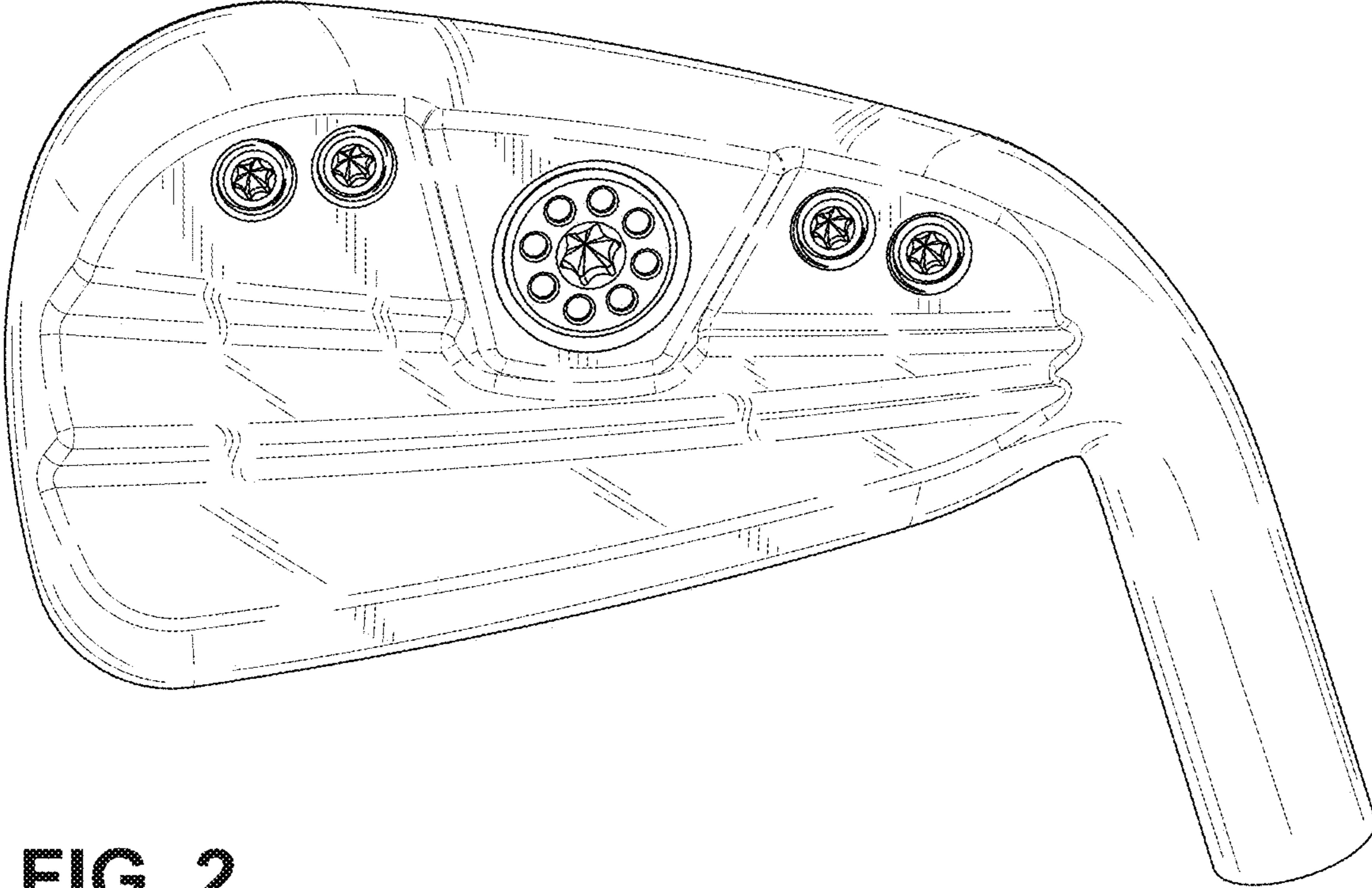


FIG. 2

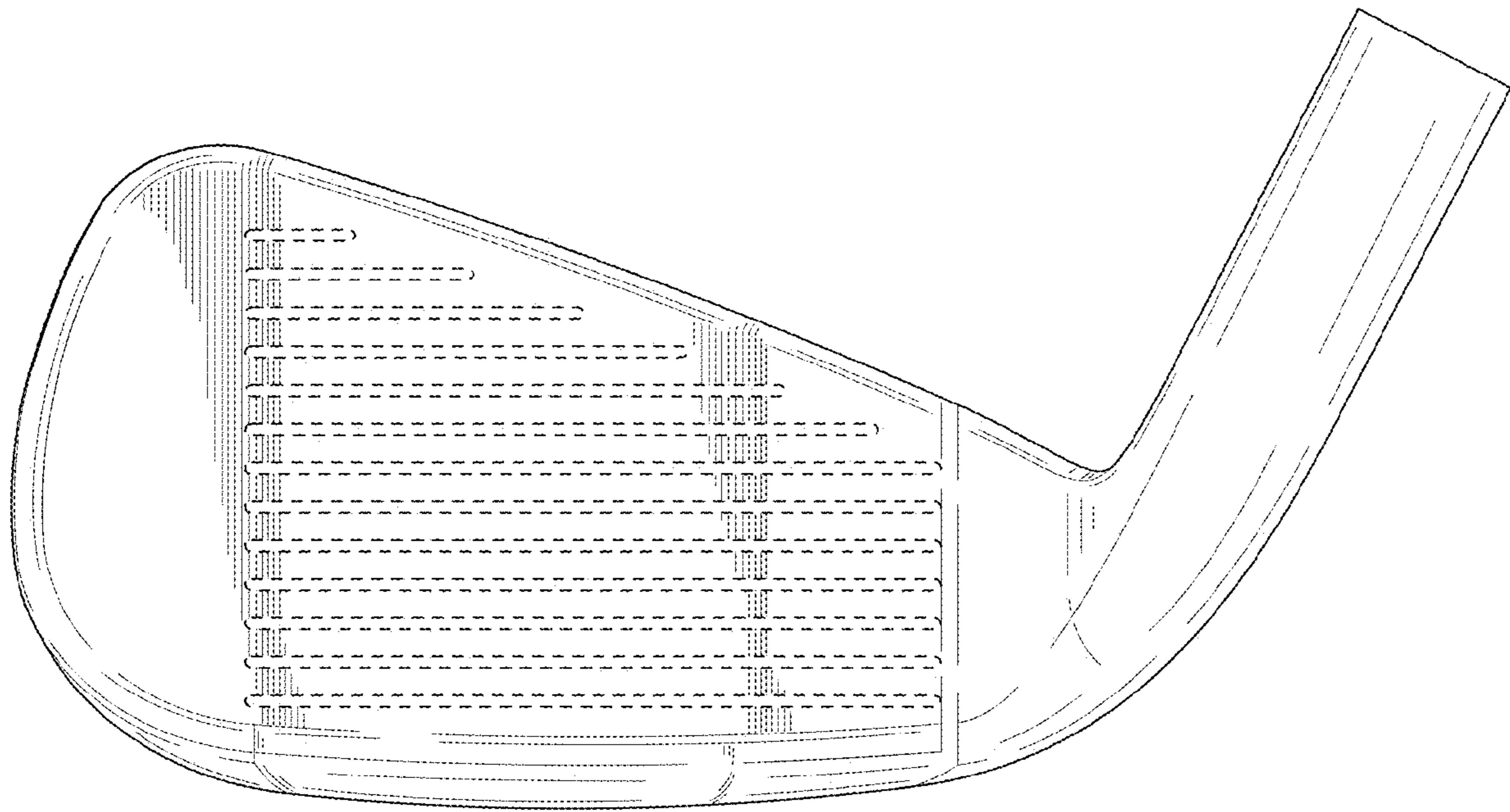


FIG. 3

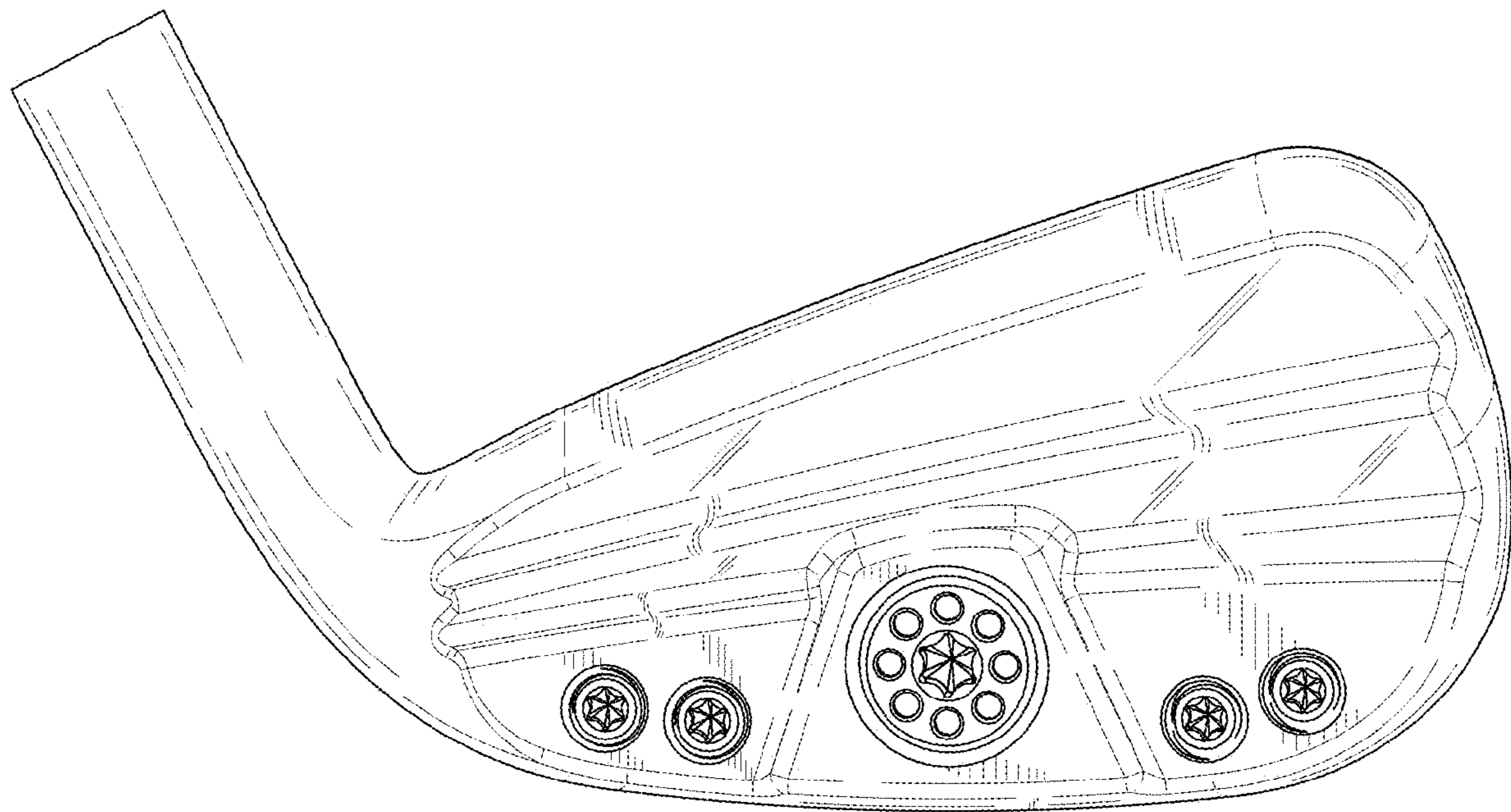


FIG. 4

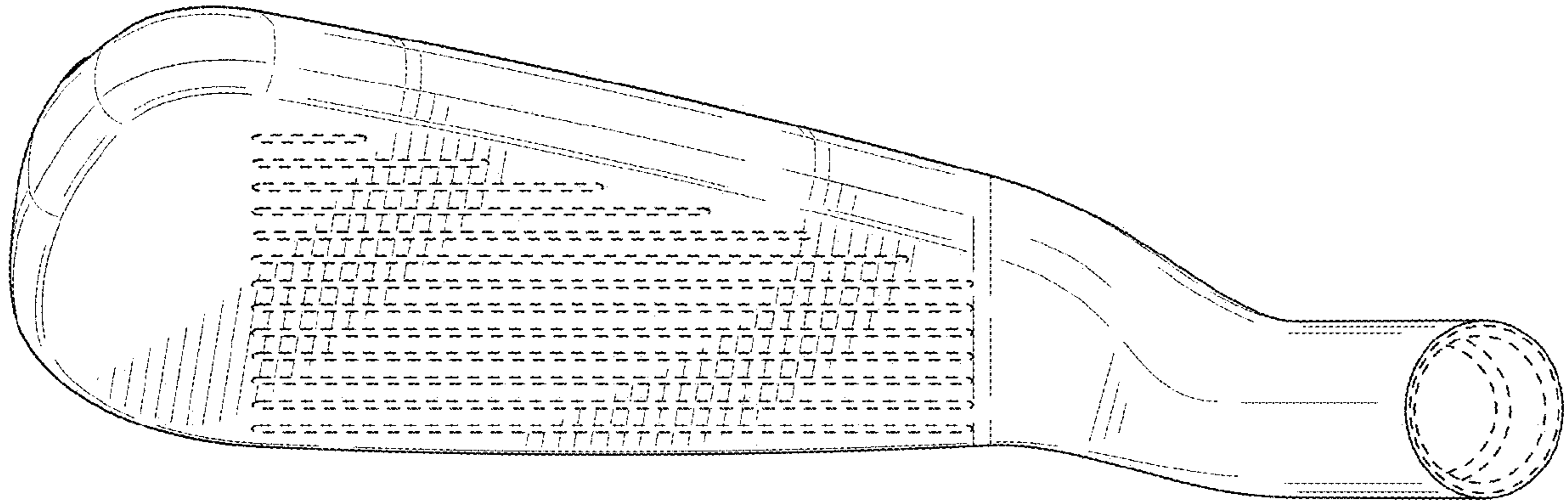


FIG. 5

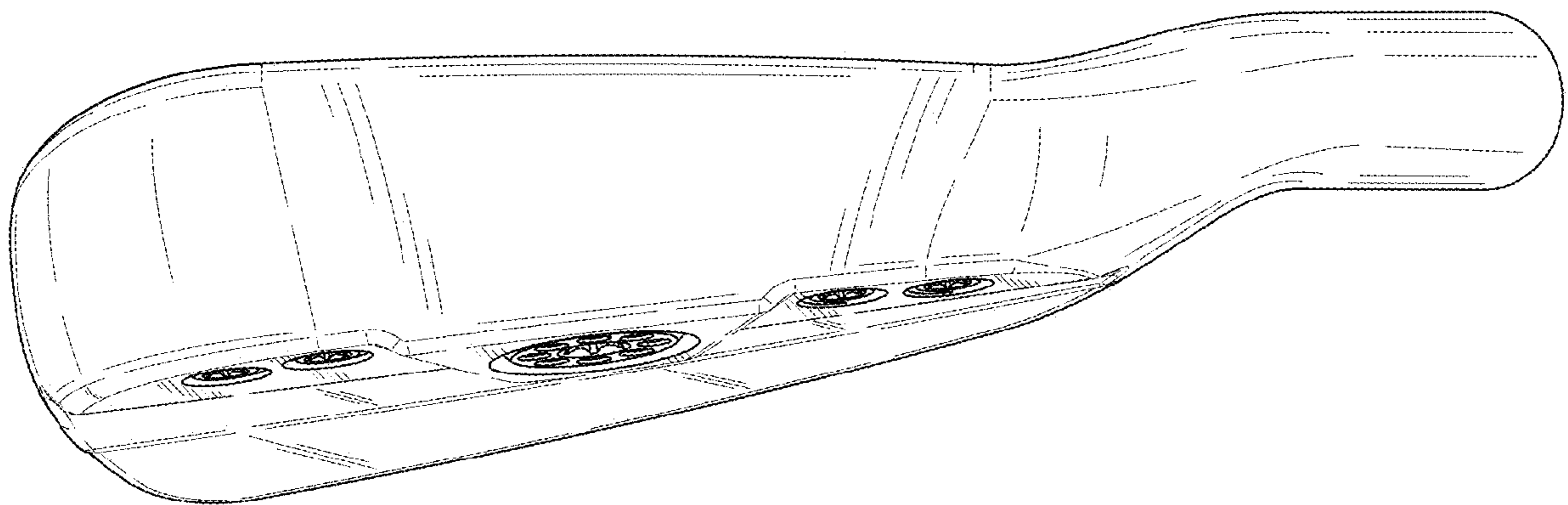


FIG. 6

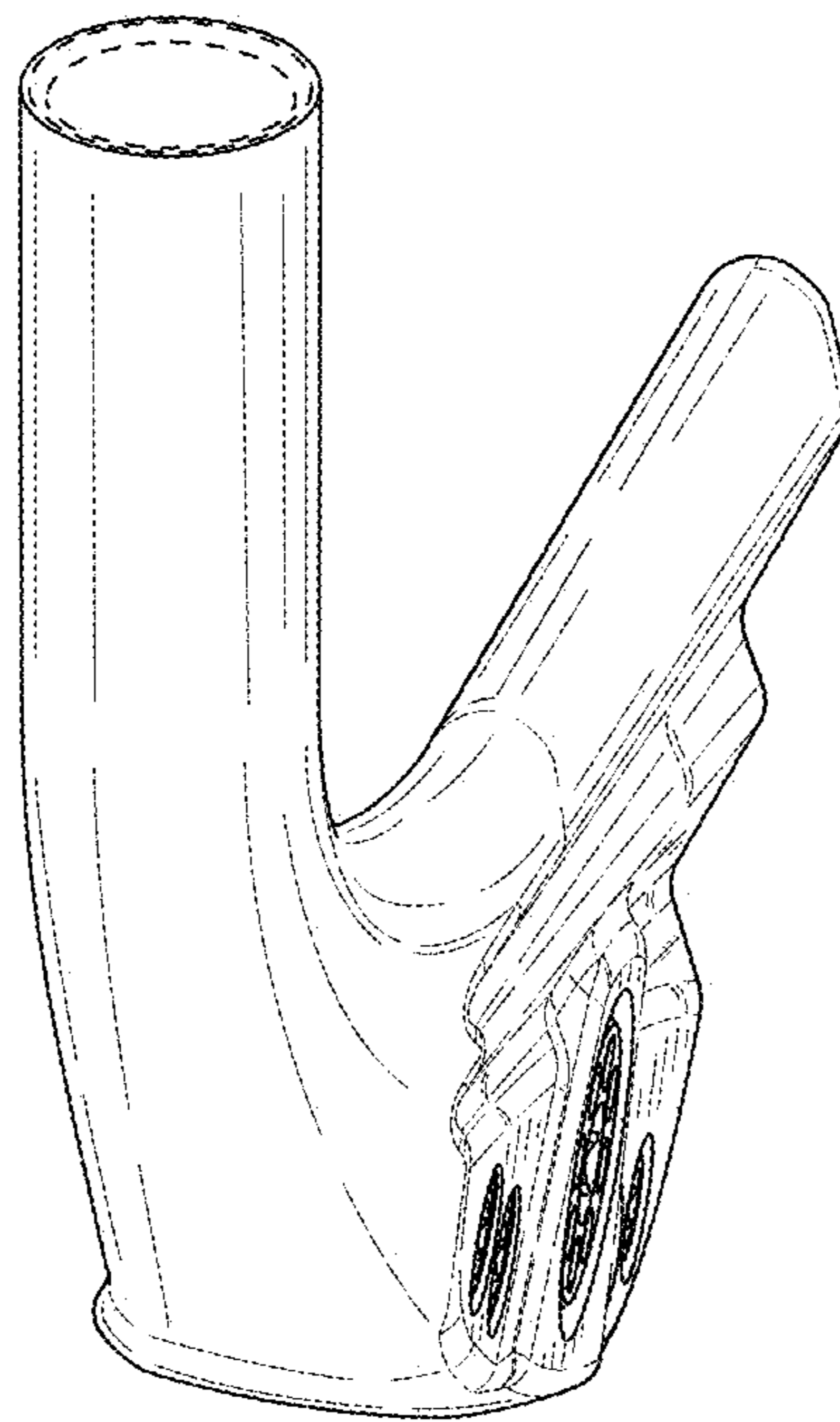


FIG. 7

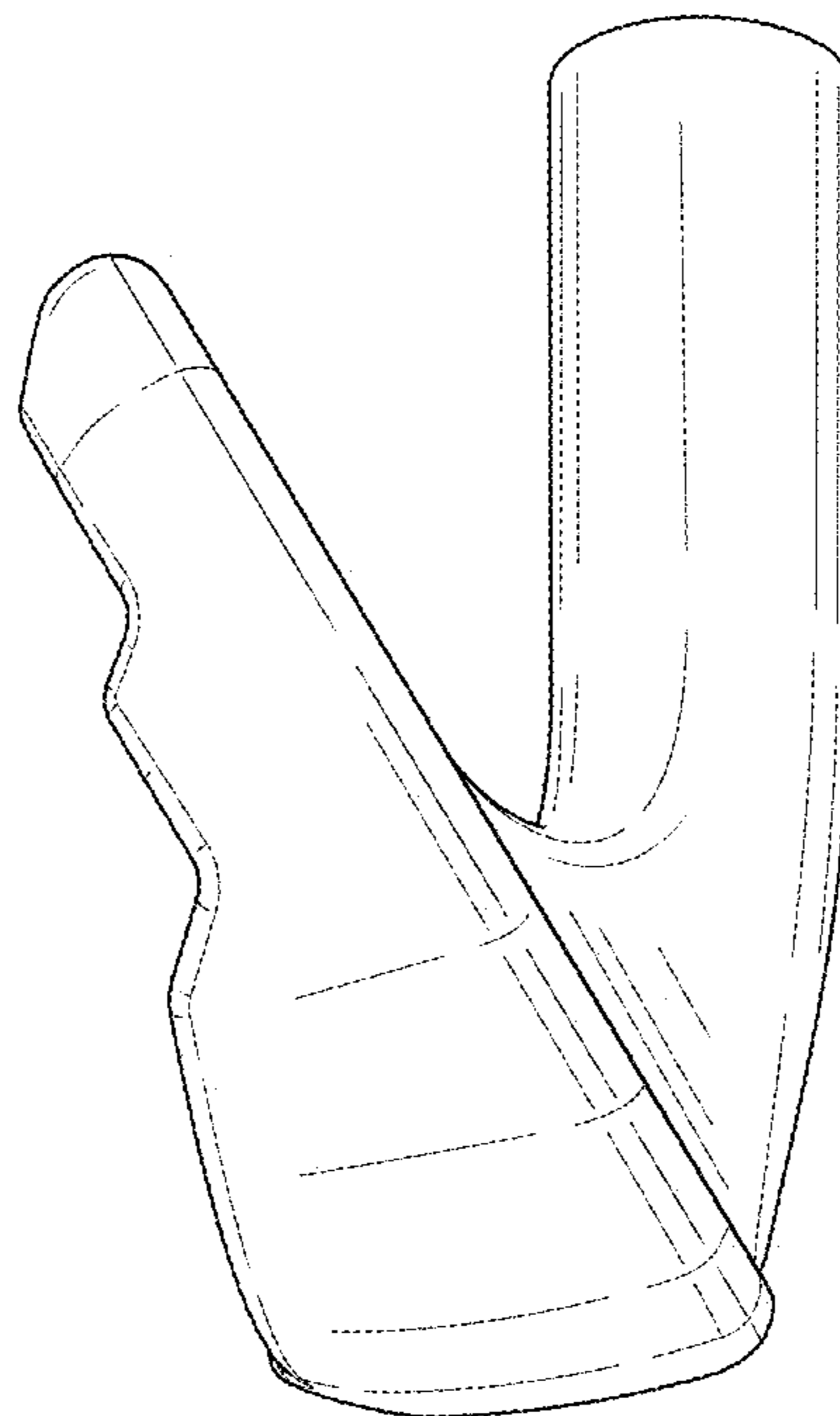


FIG. 8

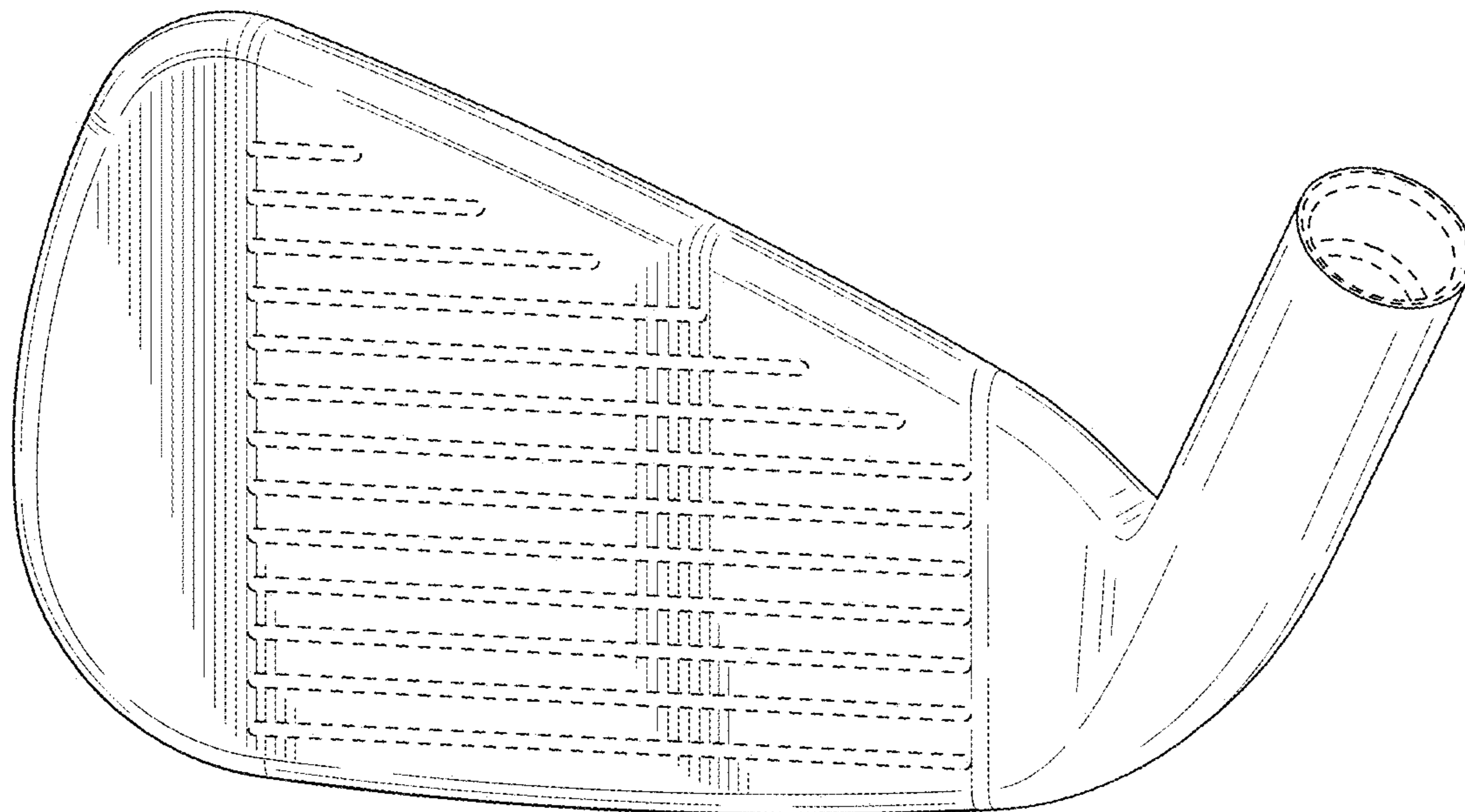


FIG. 9

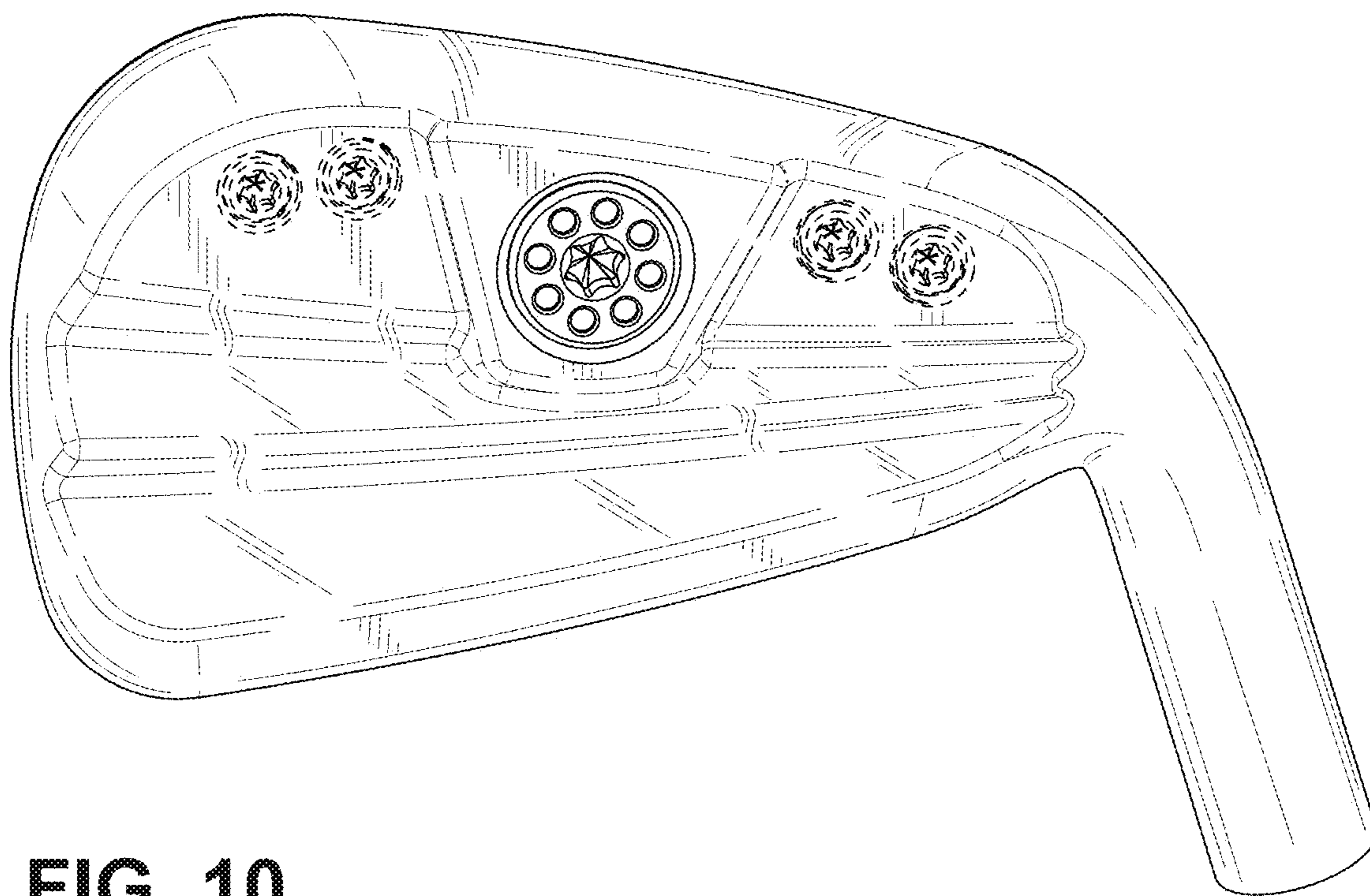


FIG. 10

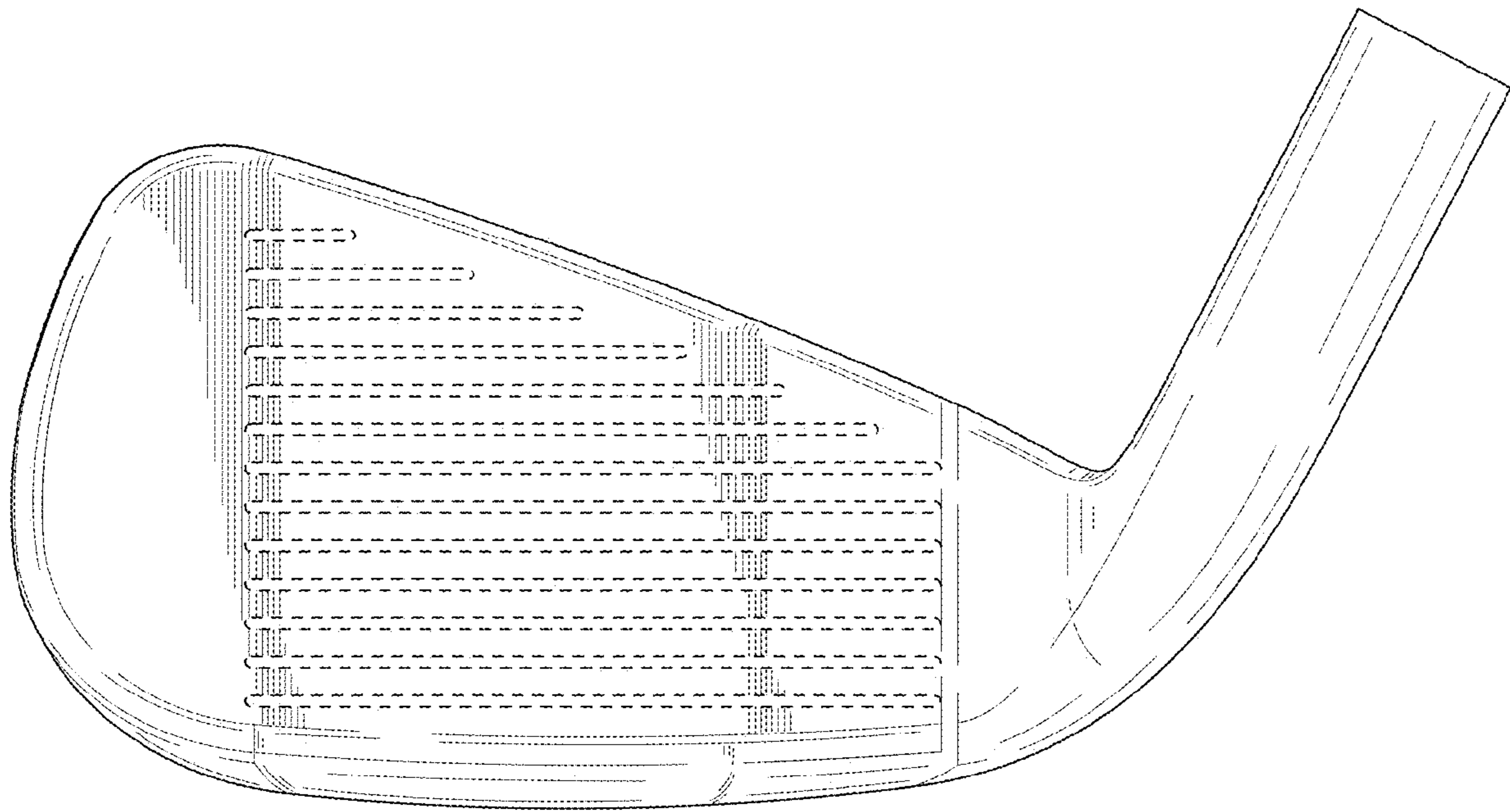


FIG. 11

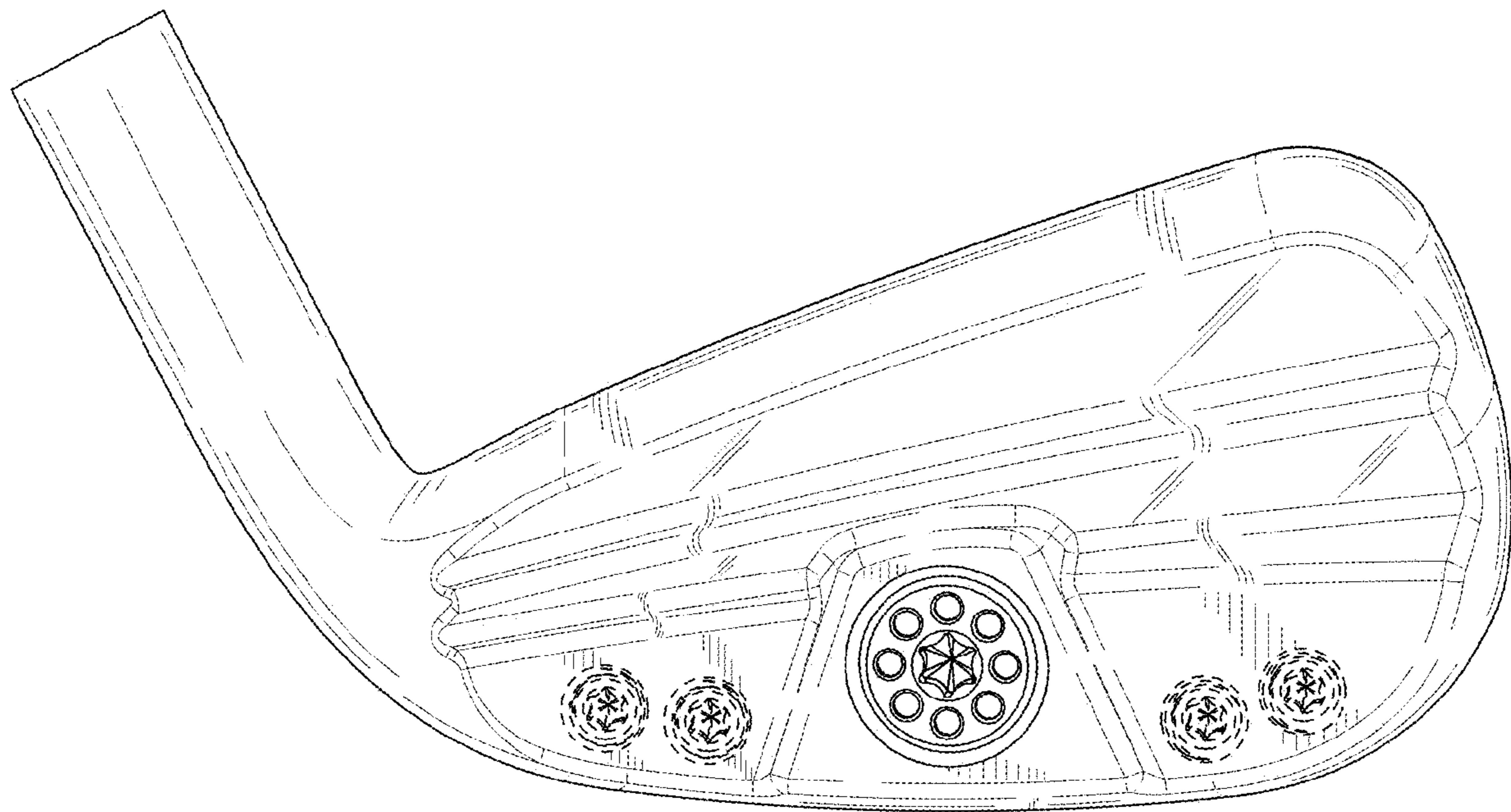


FIG. 12

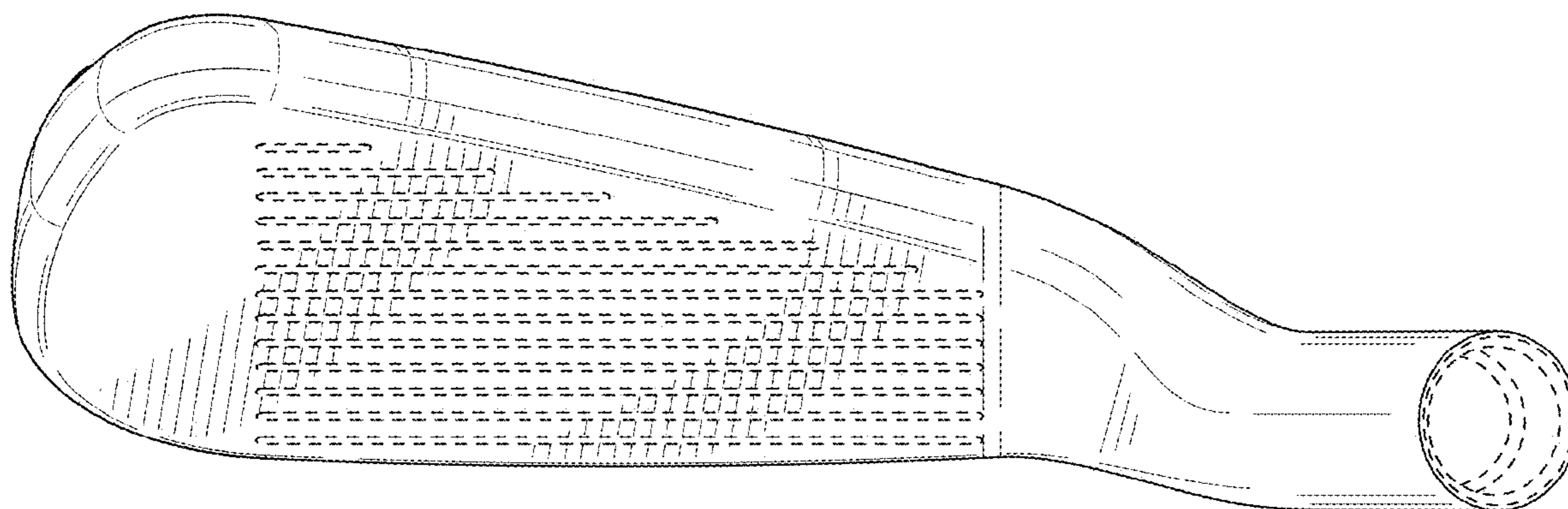


FIG. 13

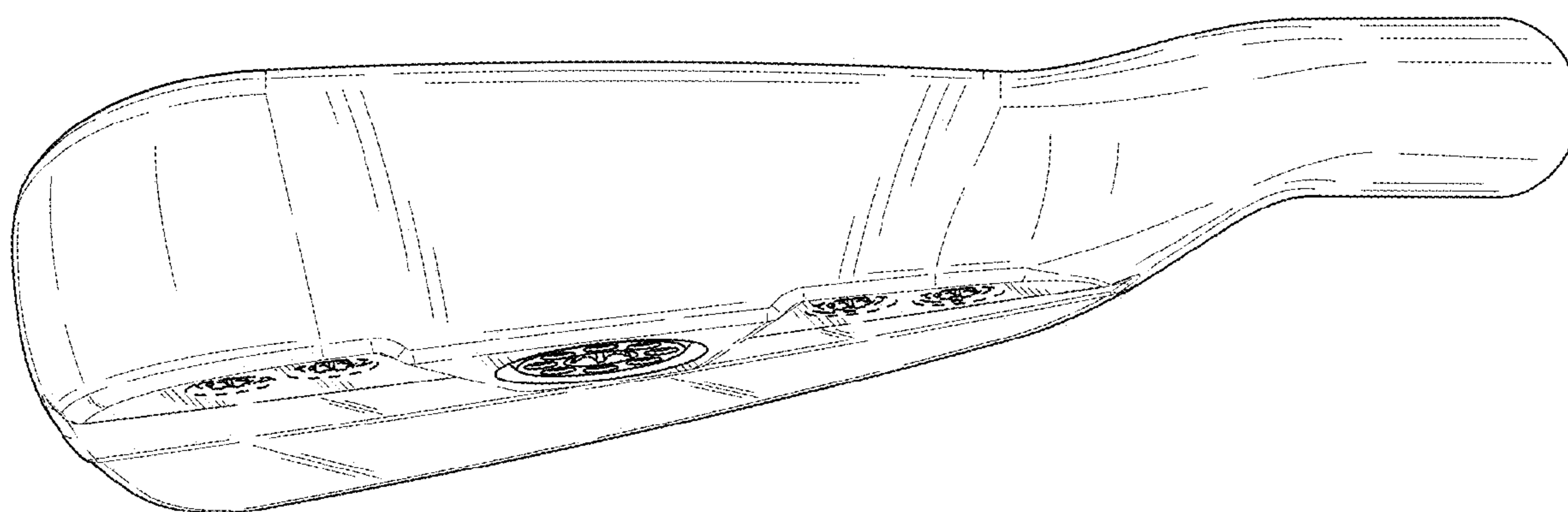


FIG. 14

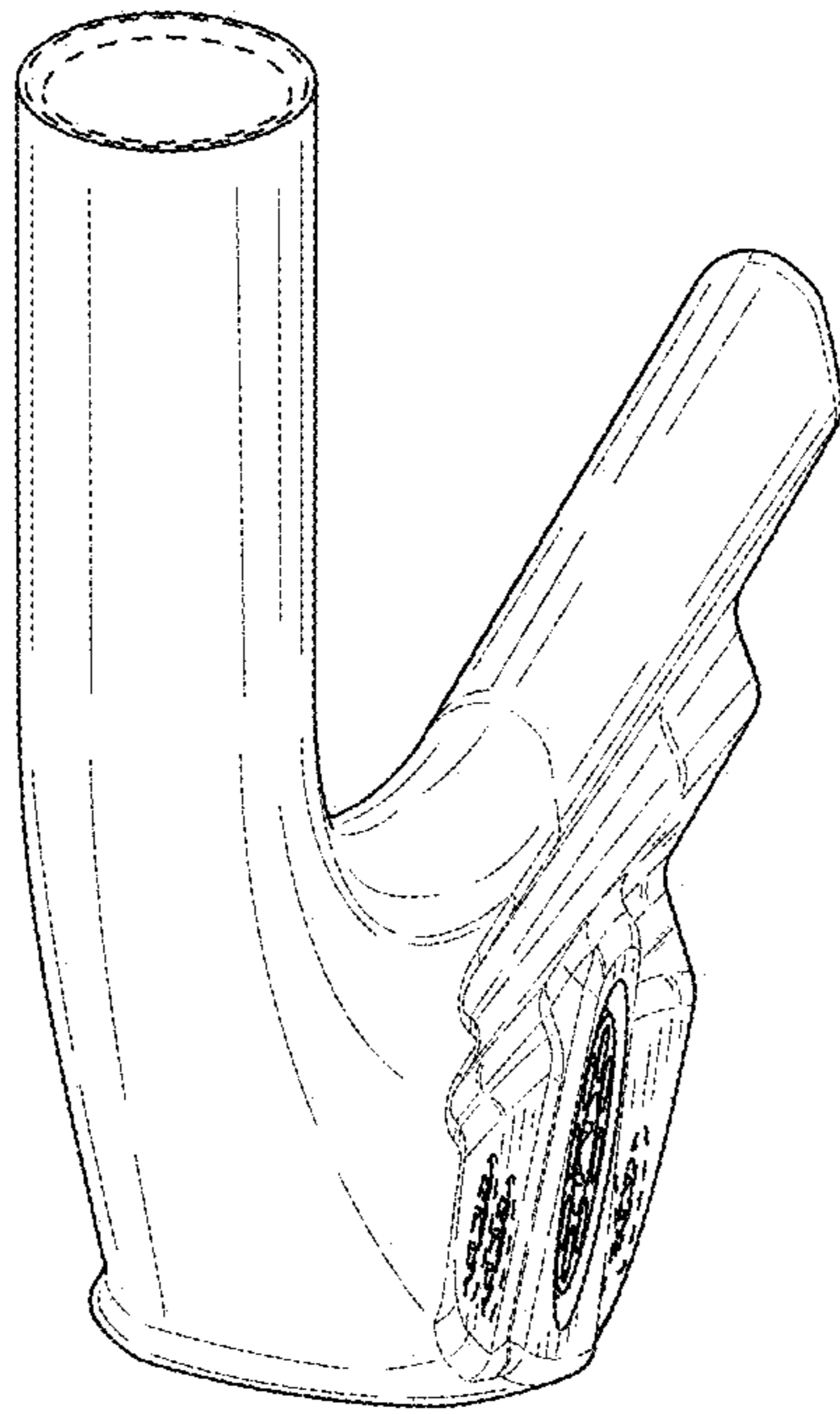


FIG. 15

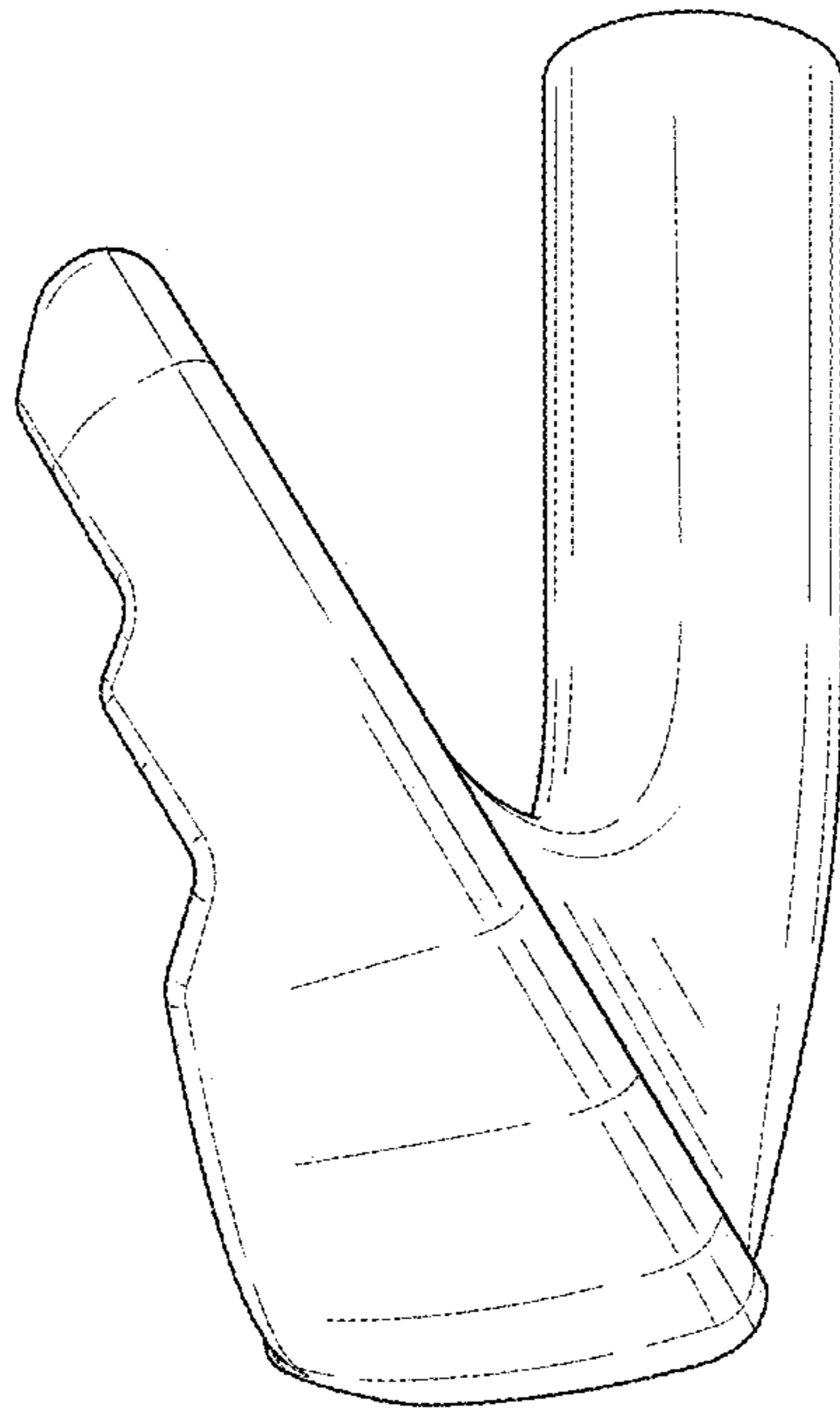


FIG. 16

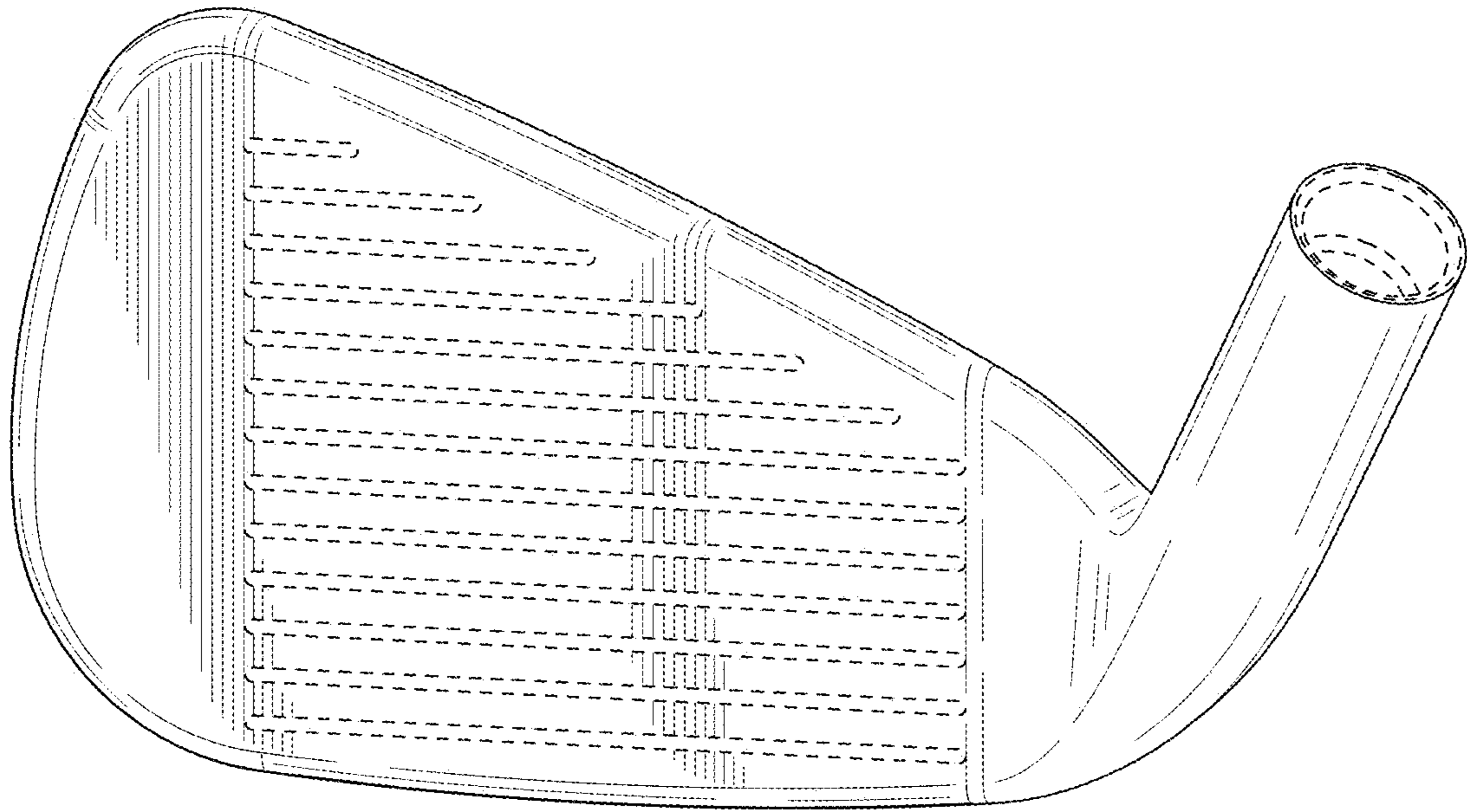


FIG. 17

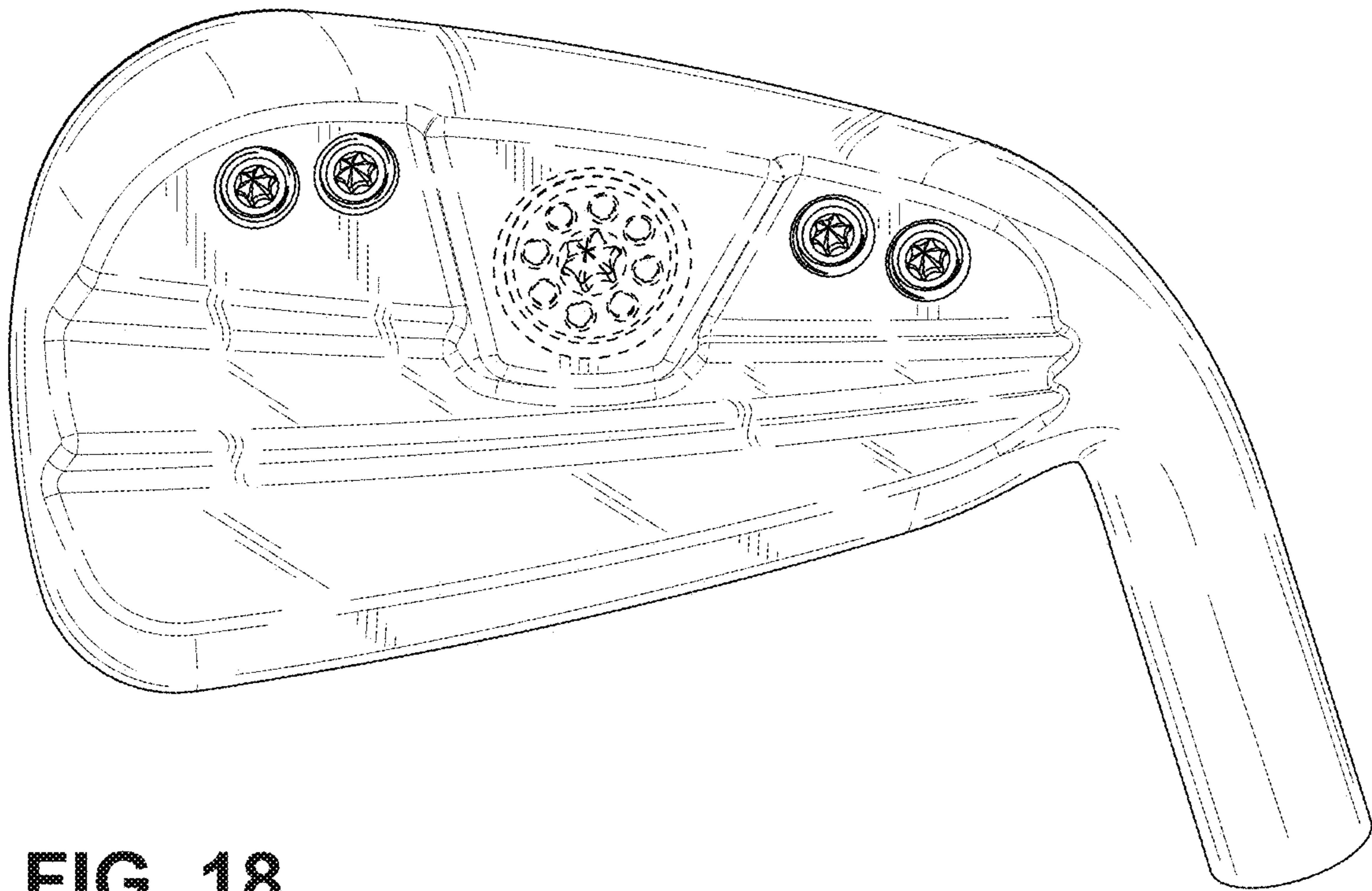


FIG. 18

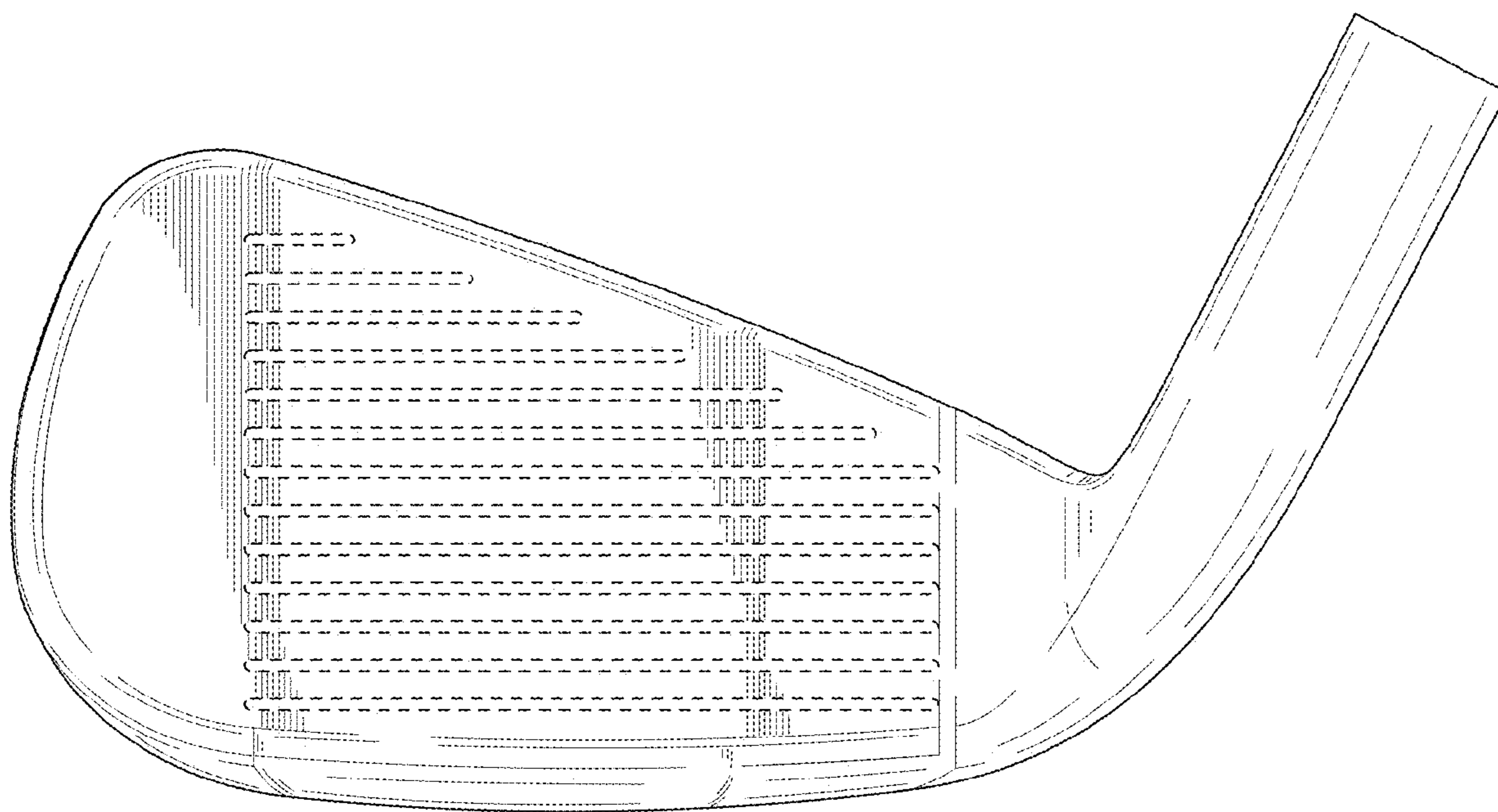


FIG. 19

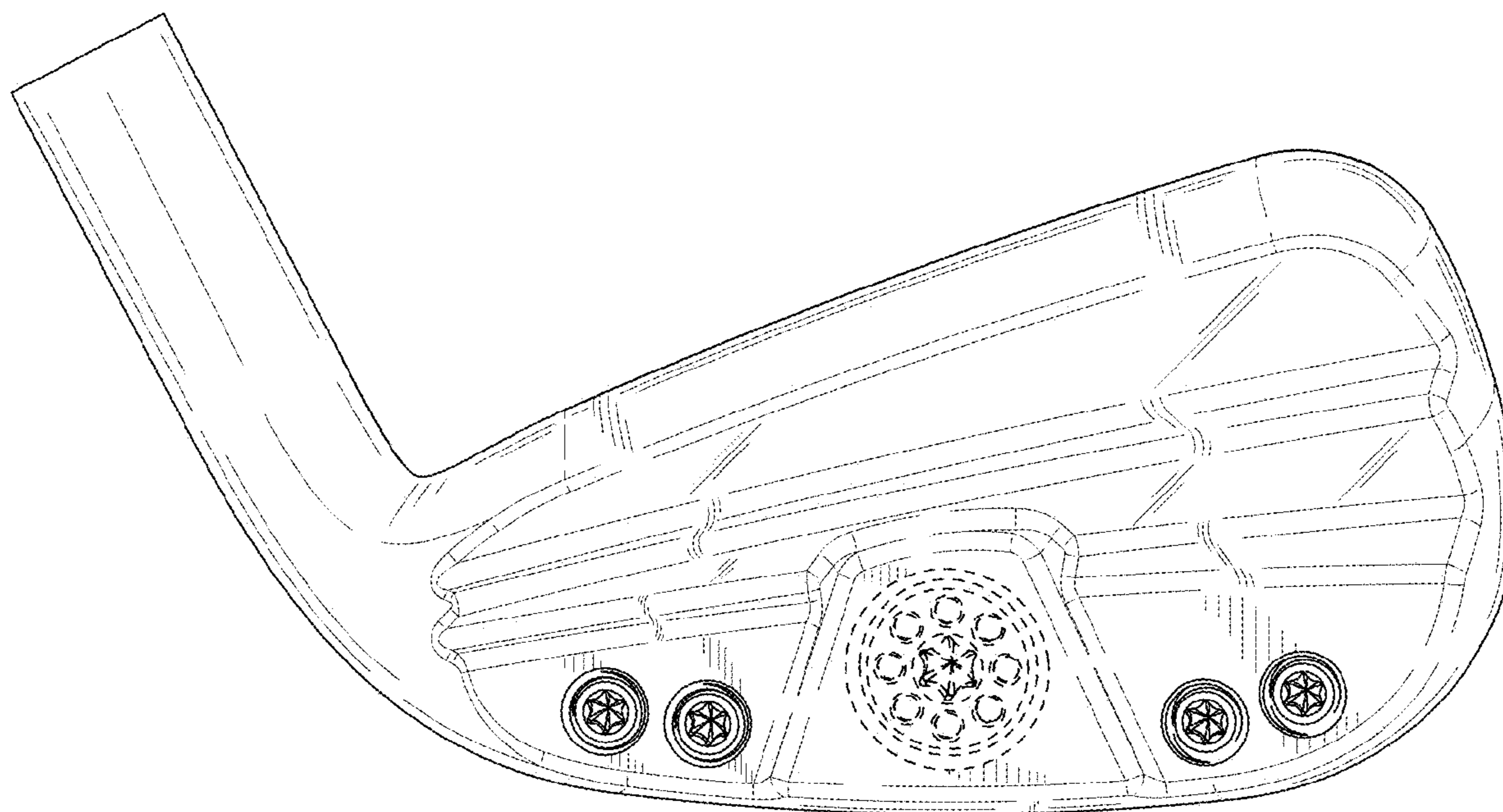


FIG. 20

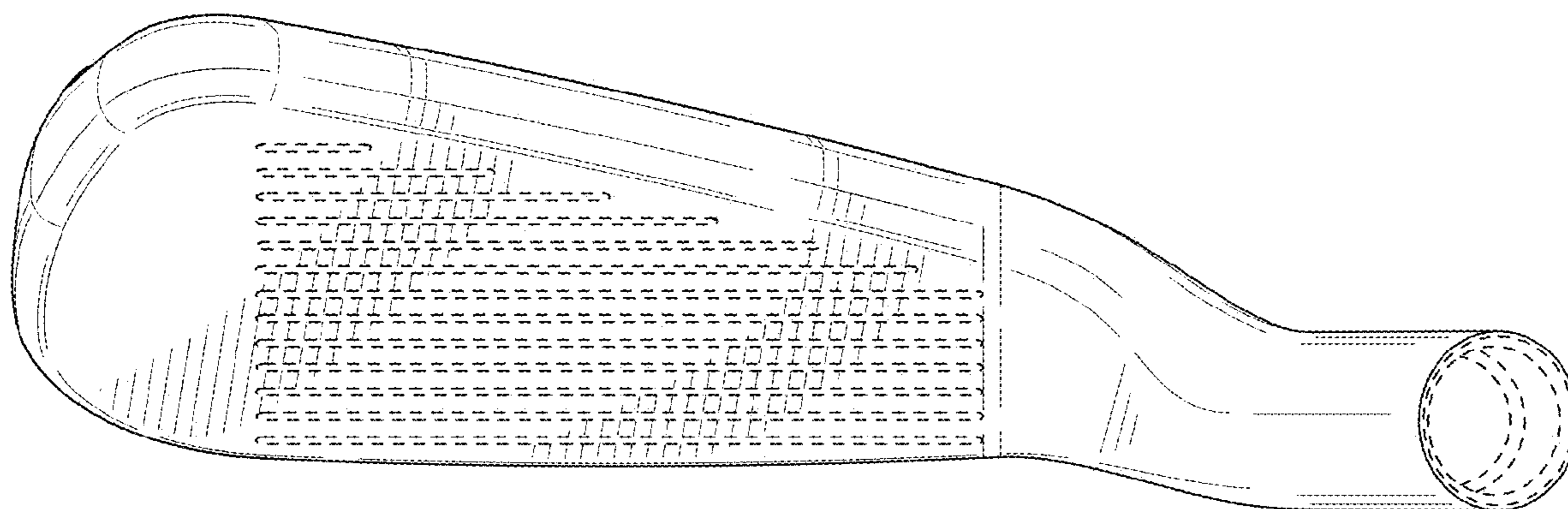


FIG. 21

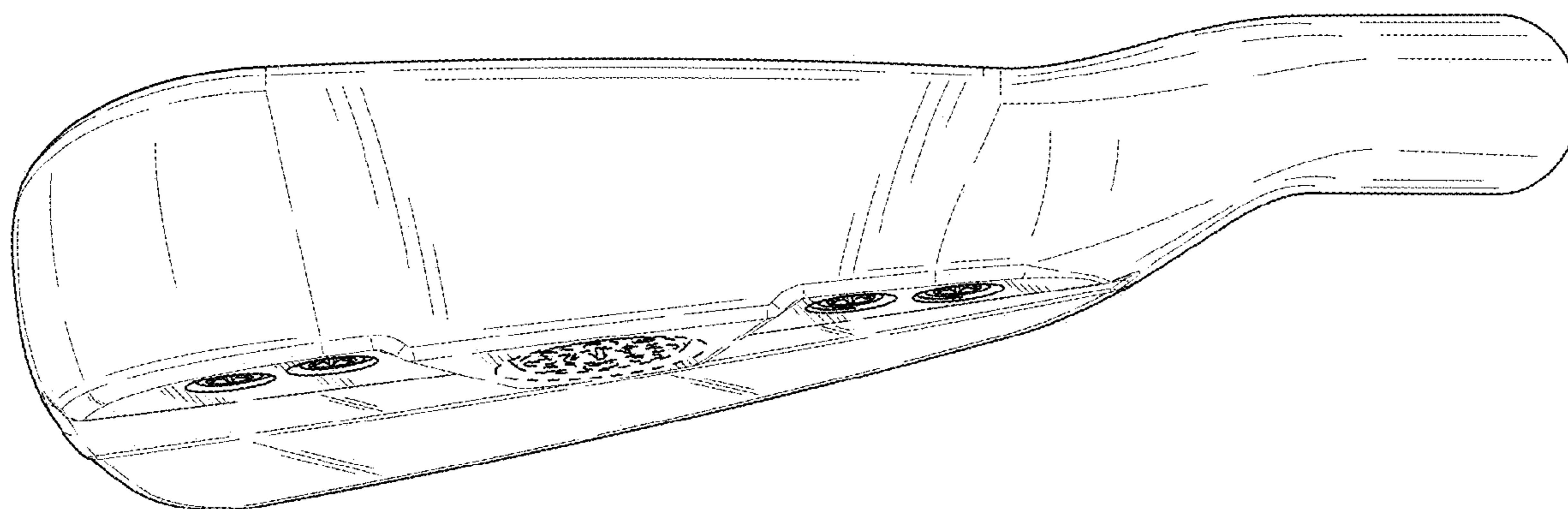


FIG. 22

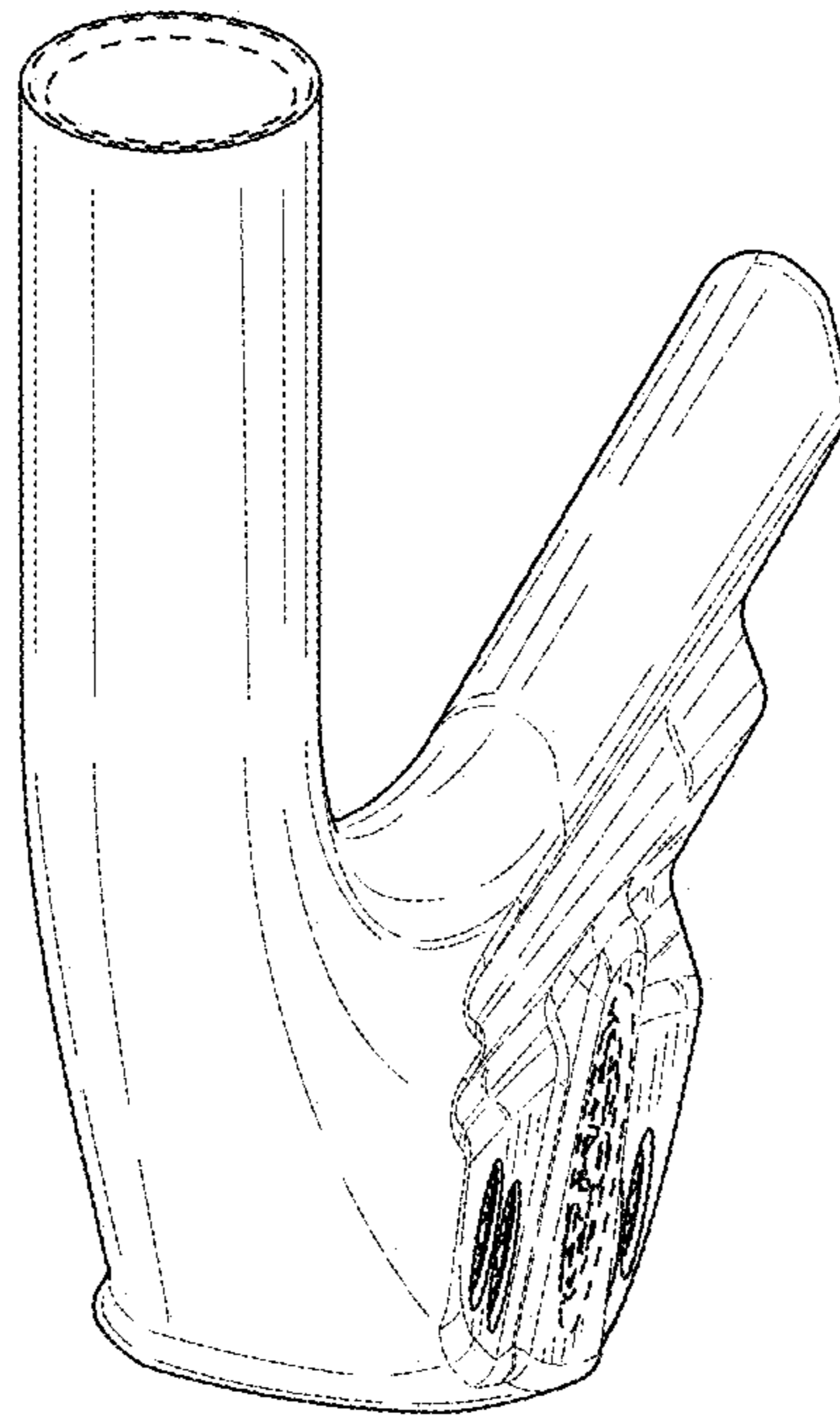


FIG. 23

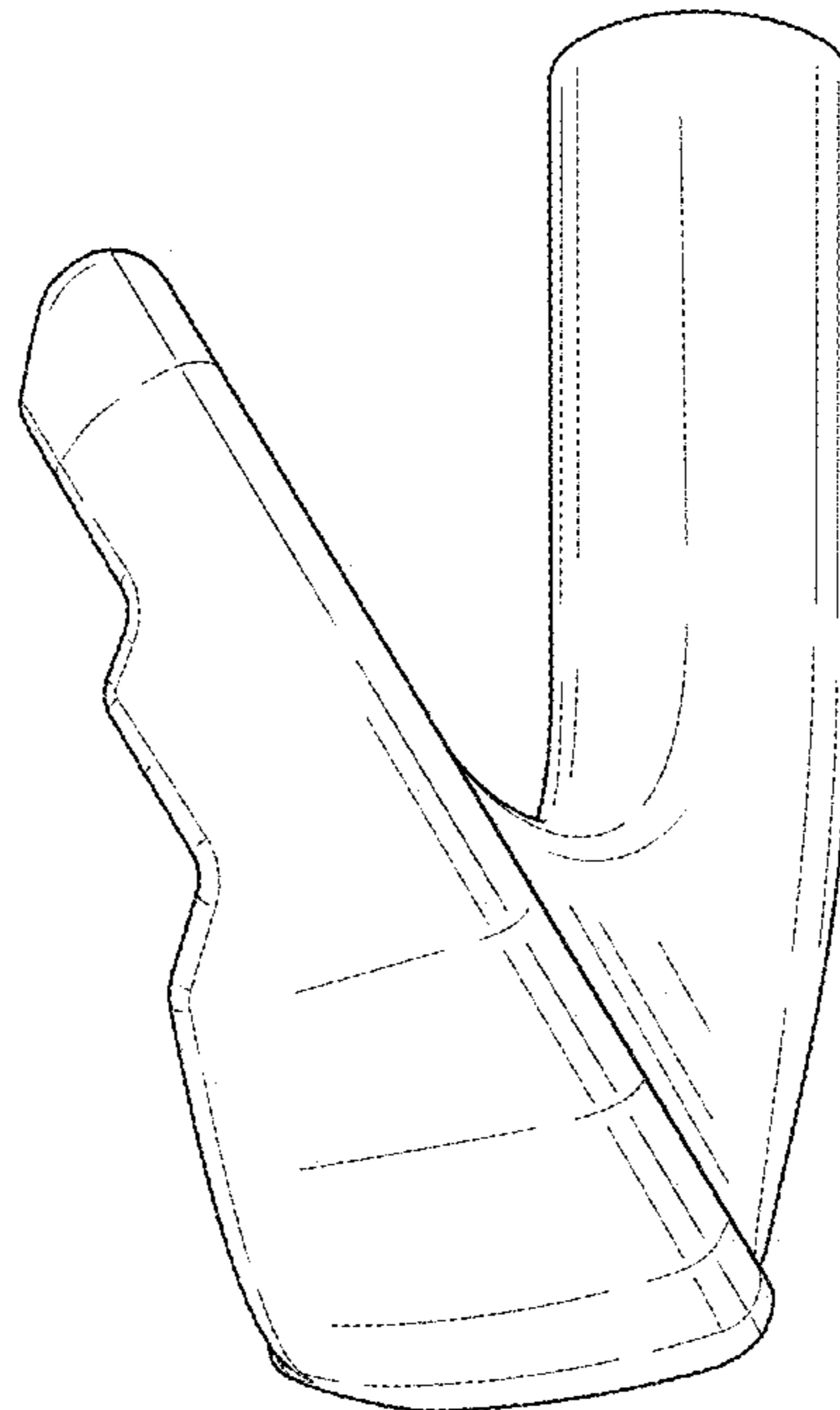


FIG. 24

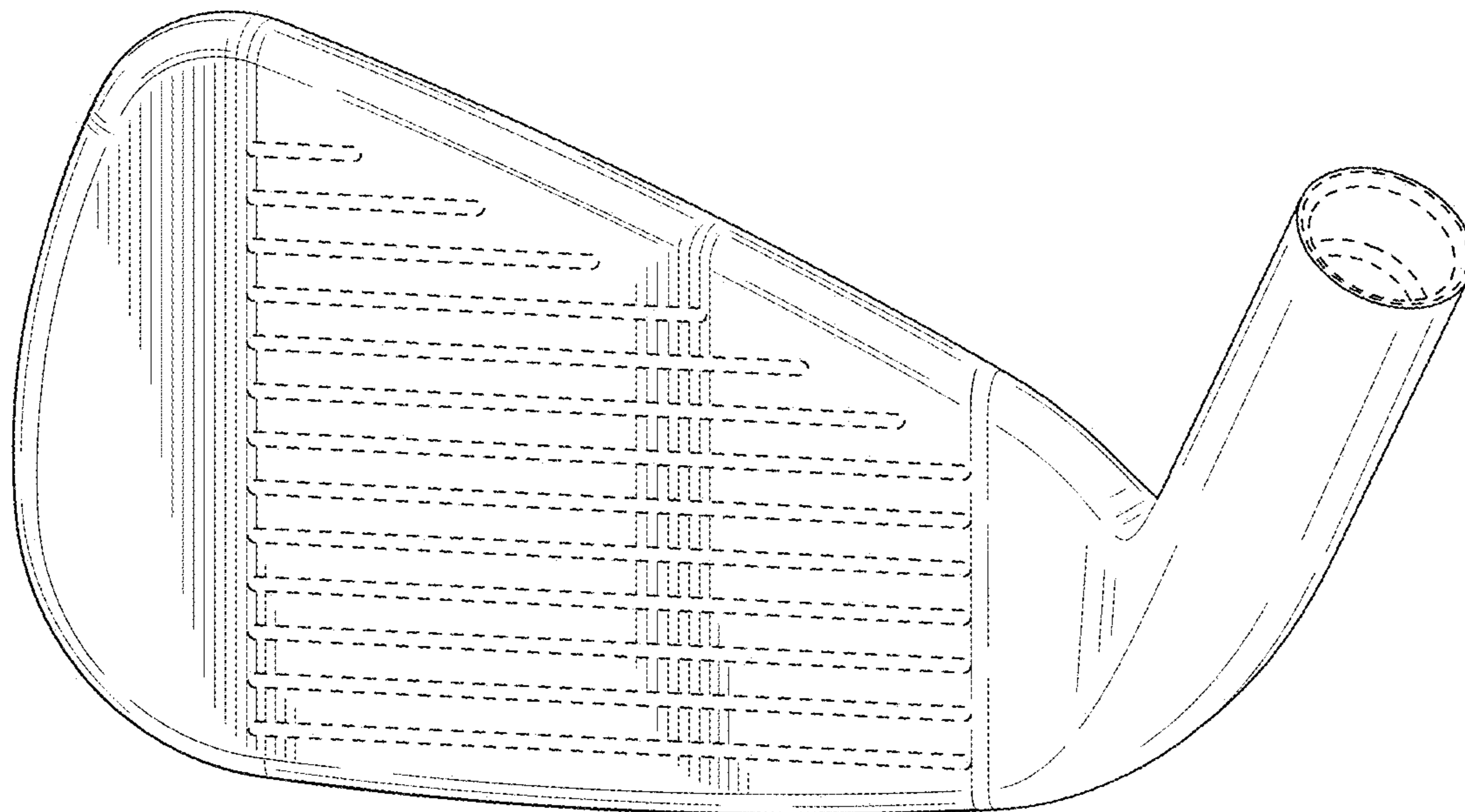


FIG. 25

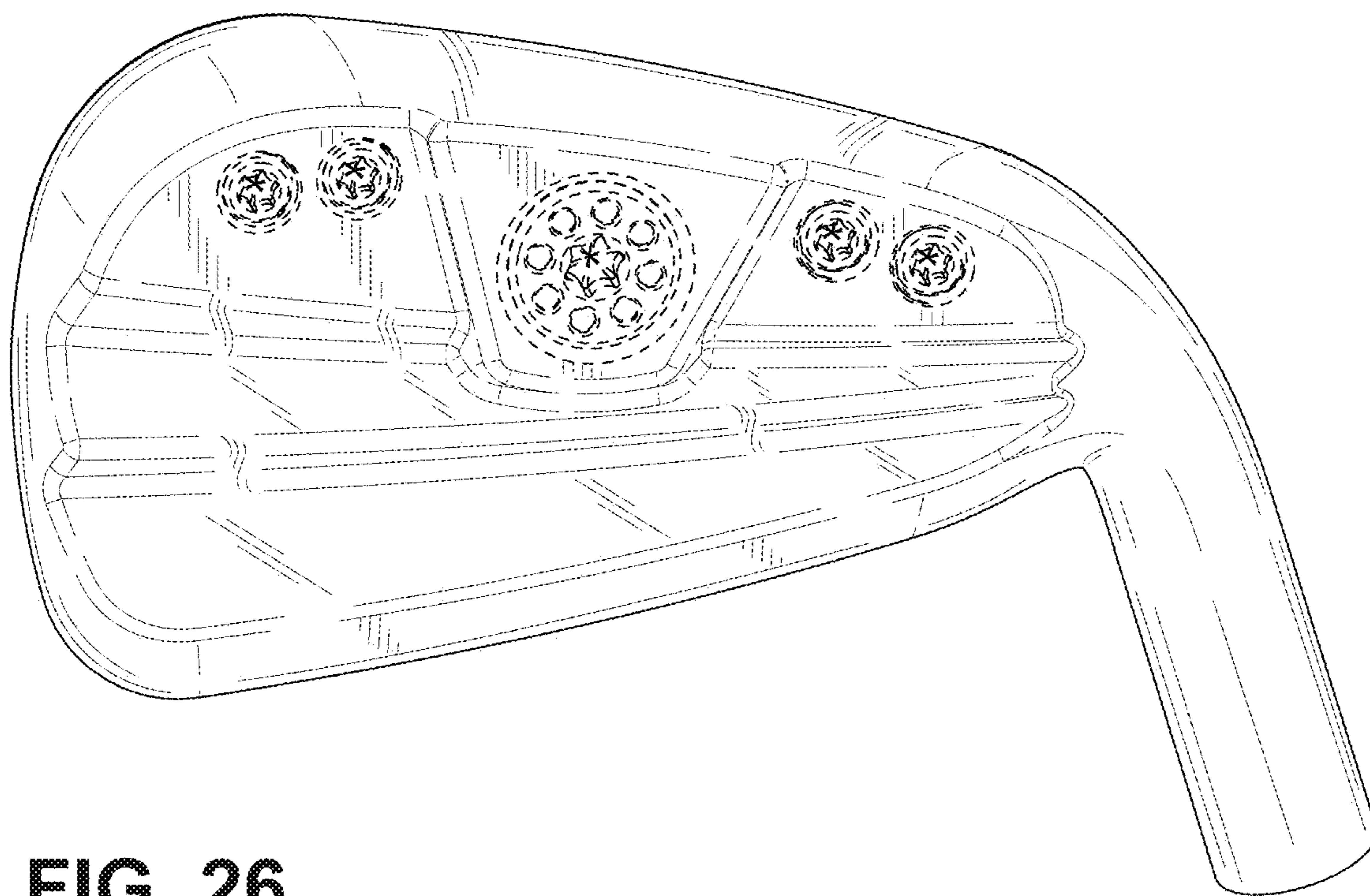


FIG. 26

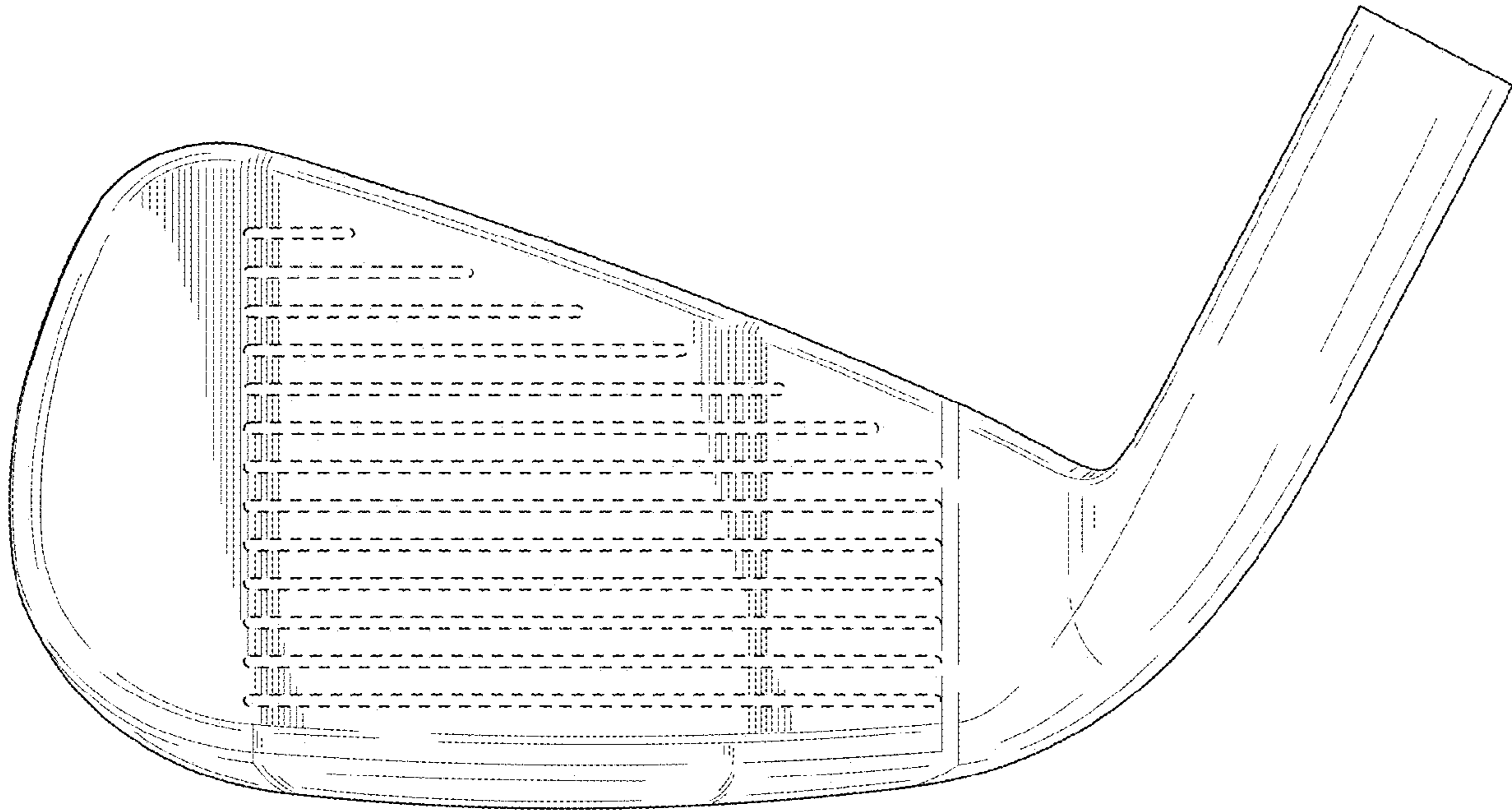


FIG. 27

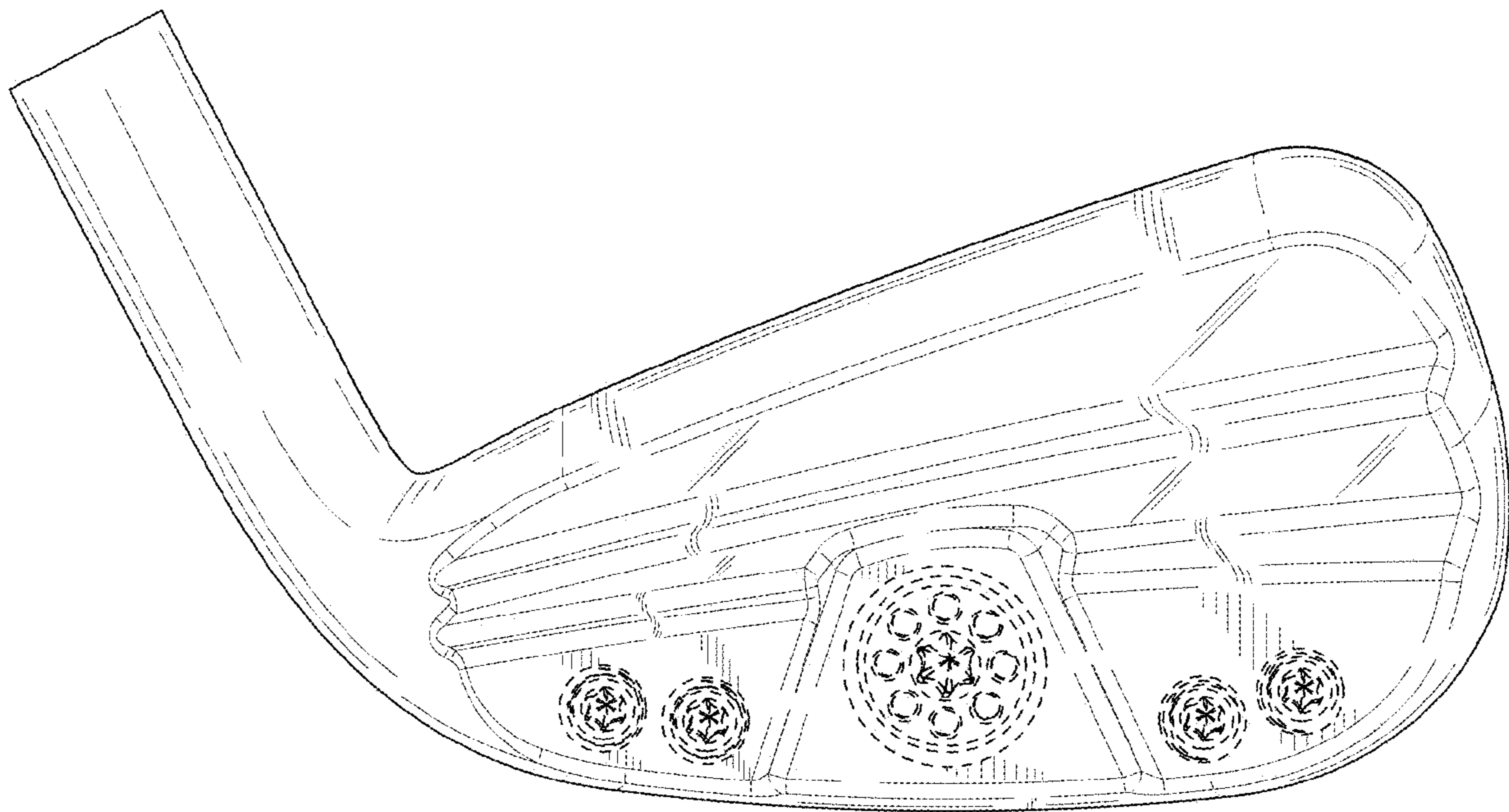


FIG. 28

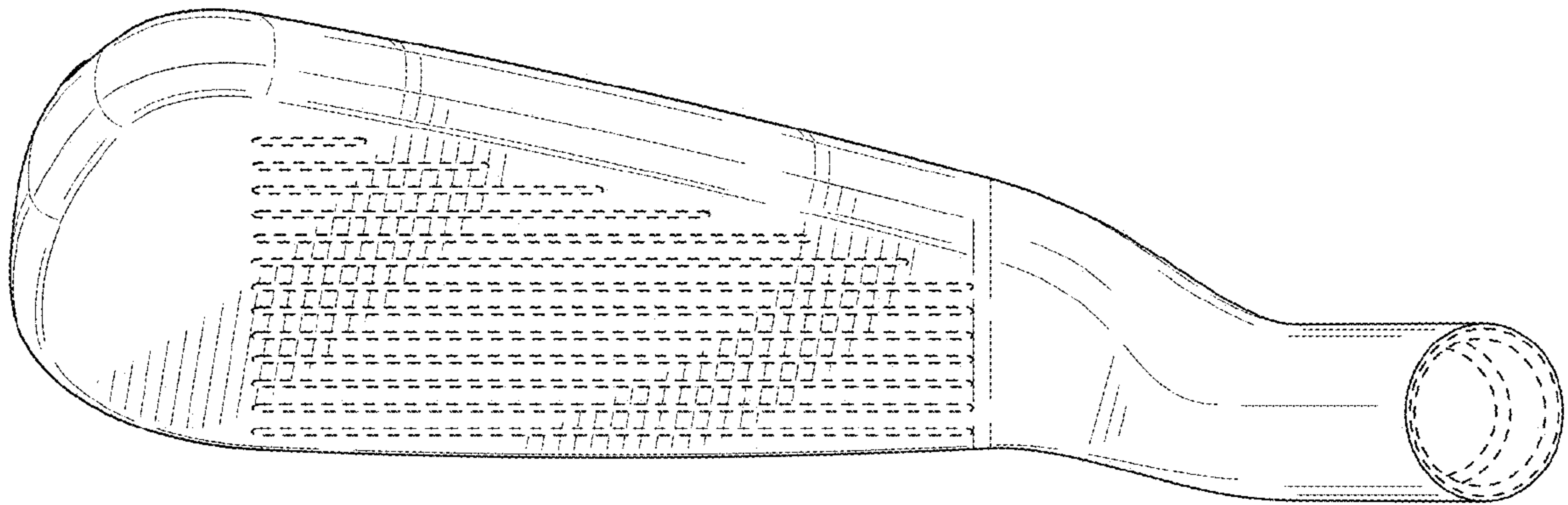


FIG. 29

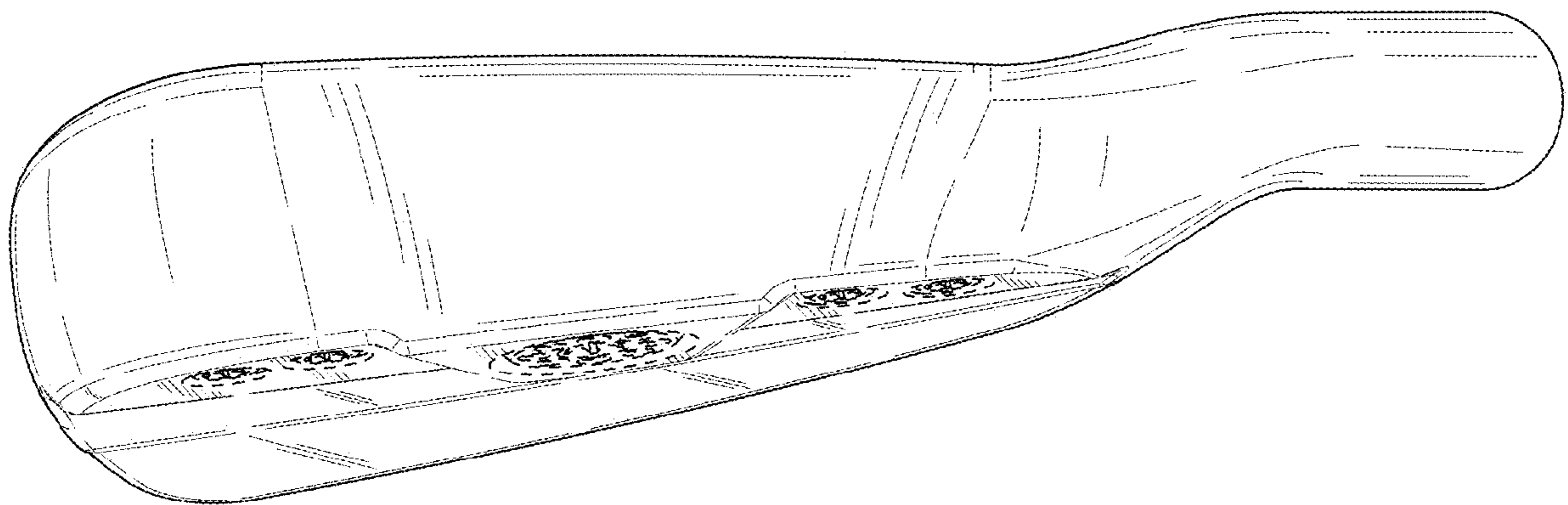


FIG. 30

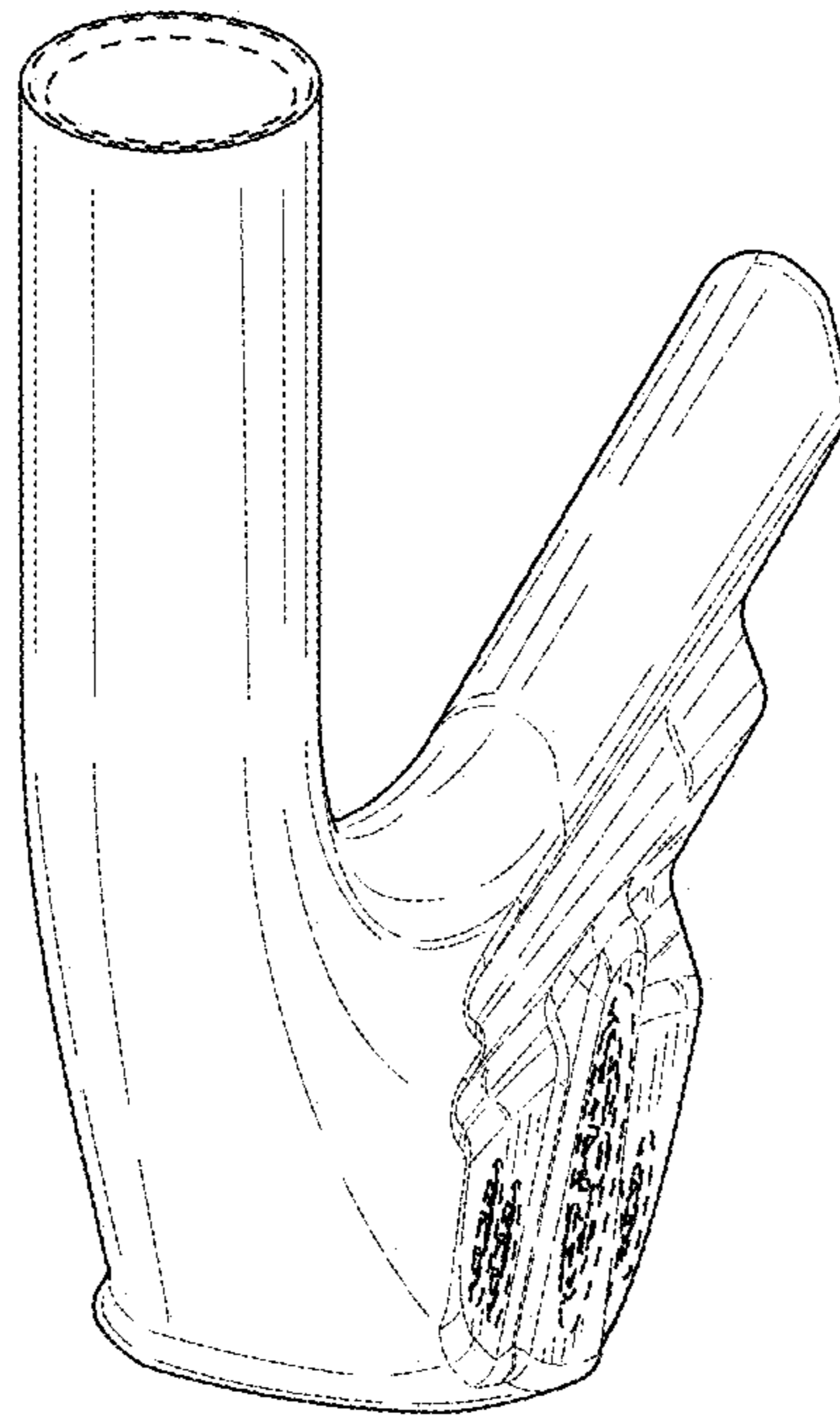


FIG. 31

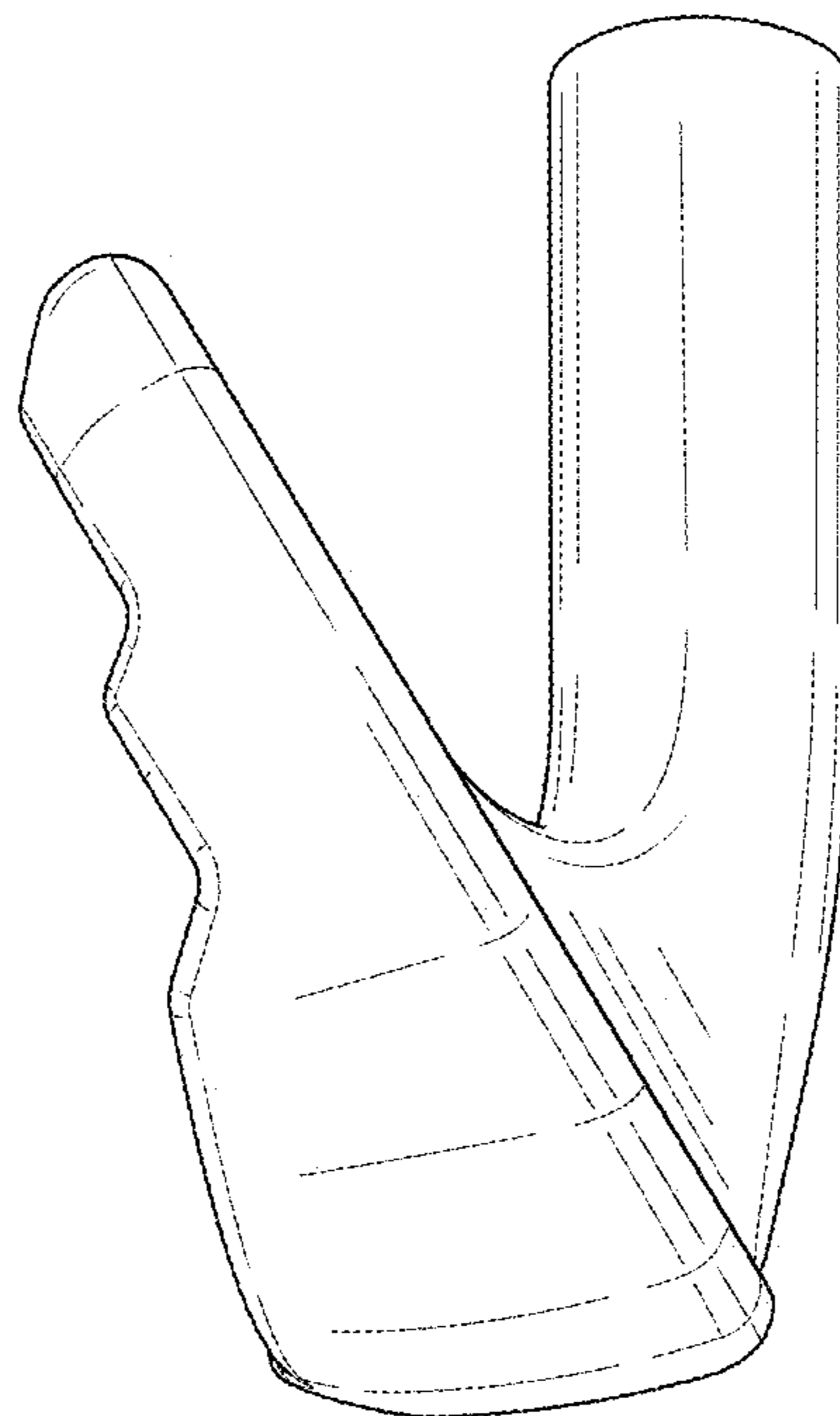


FIG. 32