



US00D916216S

(12) **United States Design Patent**  
**Chin**

(10) **Patent No.:** **US D916,216 S**

(45) **Date of Patent:** **\*\* Apr. 13, 2021**

(54) **CORE EXERCISE AND BALANCE CUSHION**

(71) Applicant: **T. K. CHIN COMPANY LTD.**, Taipei (TW)

(72) Inventor: **Howard Chin**, Taipei (TW)

(73) Assignee: **T. K. CHIN COMPANY LTD.**, Taipei (TW)

(\*\*) Term: **15 Years**

(21) Appl. No.: **29/708,072**

(22) Filed: **Oct. 2, 2019**

(30) **Foreign Application Priority Data**

May 15, 2019 (TW) ..... 108206064

(51) **LOC (13) Cl.** ..... **21-02**

(52) **U.S. Cl.**  
USPC ..... **D21/686**

(58) **Field of Classification Search**

USPC ..... D21/399, 662, 680, 684, 686, 671, 708,  
D21/709, 712, 713, 668, 682, 688, 692,  
D21/798, 398, 689, 483, 487, 498, 598,  
D21/657; D30/160; D24/211, 200, 214

See application file for complete search history.

(56) **References Cited**

**U.S. PATENT DOCUMENTS**

6,740,008 B1 \* 5/2004 Ho ..... A63B 21/0004  
482/123

D640,335 S \* 6/2011 Aboody ..... D21/662

D742,464 S \* 11/2015 Vitacco ..... D21/760  
D886,216 S \* 6/2020 Chin ..... D21/688  
2003/0125174 A1 \* 7/2003 Lin ..... A63B 26/003  
482/148  
2004/0142801 A1 \* 7/2004 Lin ..... A63B 26/003  
482/142  
2012/0258841 A1 \* 10/2012 James ..... A63B 21/00047  
482/91  
2019/0045747 A1 \* 2/2019 Torraca ..... A01K 15/027

\* cited by examiner

*Primary Examiner* — Khawaja Anwar

*Assistant Examiner* — Julice Seung Eun Oum

(74) *Attorney, Agent, or Firm* — Pai Patent & Trademark Law Firm; Chao-Chang David Pai

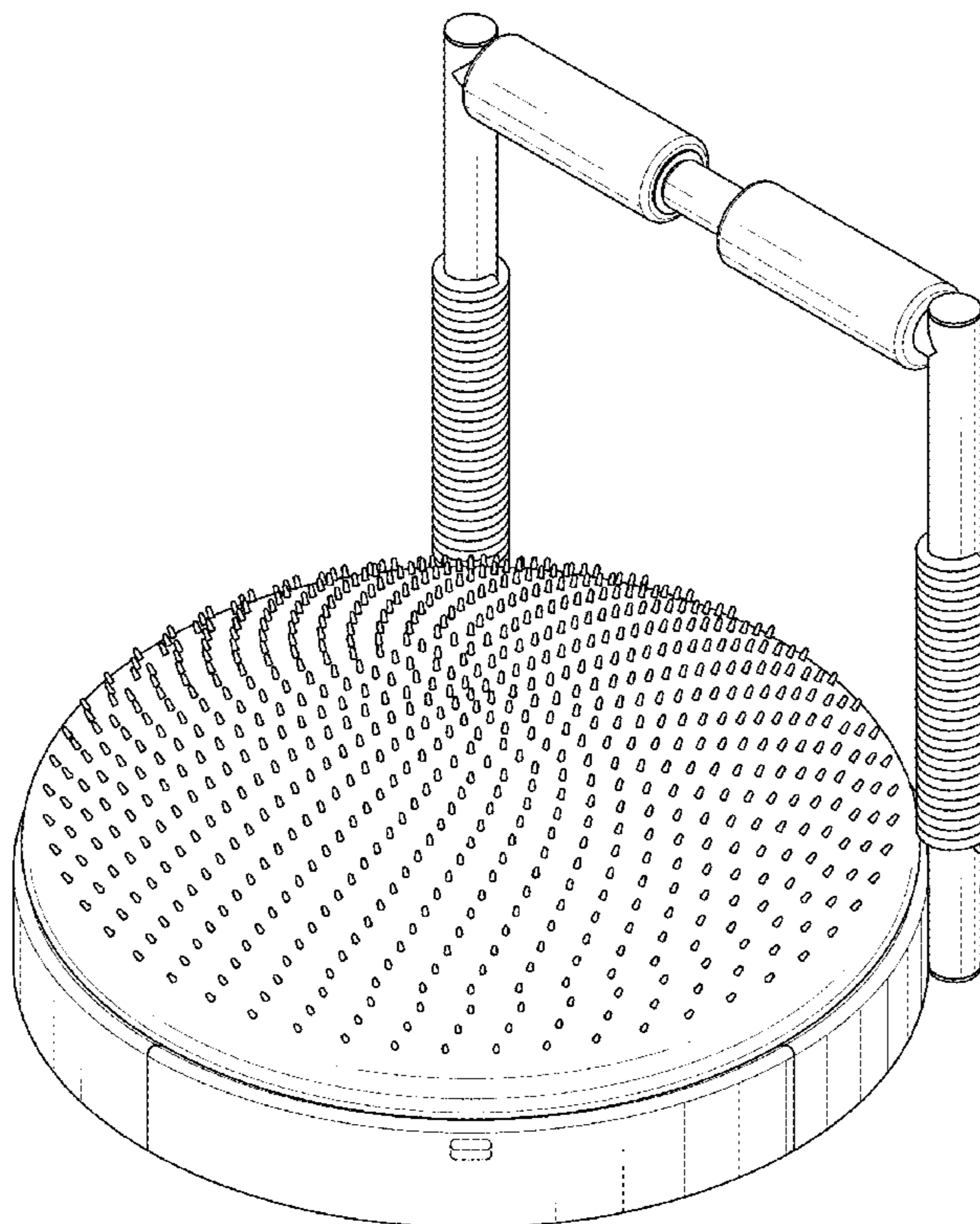
(57) **CLAIM**

The ornamental design for a core exercise and balance cushion, as shown and described.

**DESCRIPTION**

FIG. 1 is a perspective view of a core exercise and balance cushion showing my new design;  
FIG. 2 is another perspective view thereof;  
FIG. 3 is a front elevation view thereof;  
FIG. 4 is a rear elevation view thereof;  
FIG. 5 is a left side elevation view thereof;  
FIG. 6 is a right side elevation view thereof;  
FIG. 7 is a top plan view thereof; and,  
FIG. 8 is a bottom plan view thereof.  
The broken lines in the figures depict portions of the article which form no part of the claimed design.

**1 Claim, 8 Drawing Sheets**



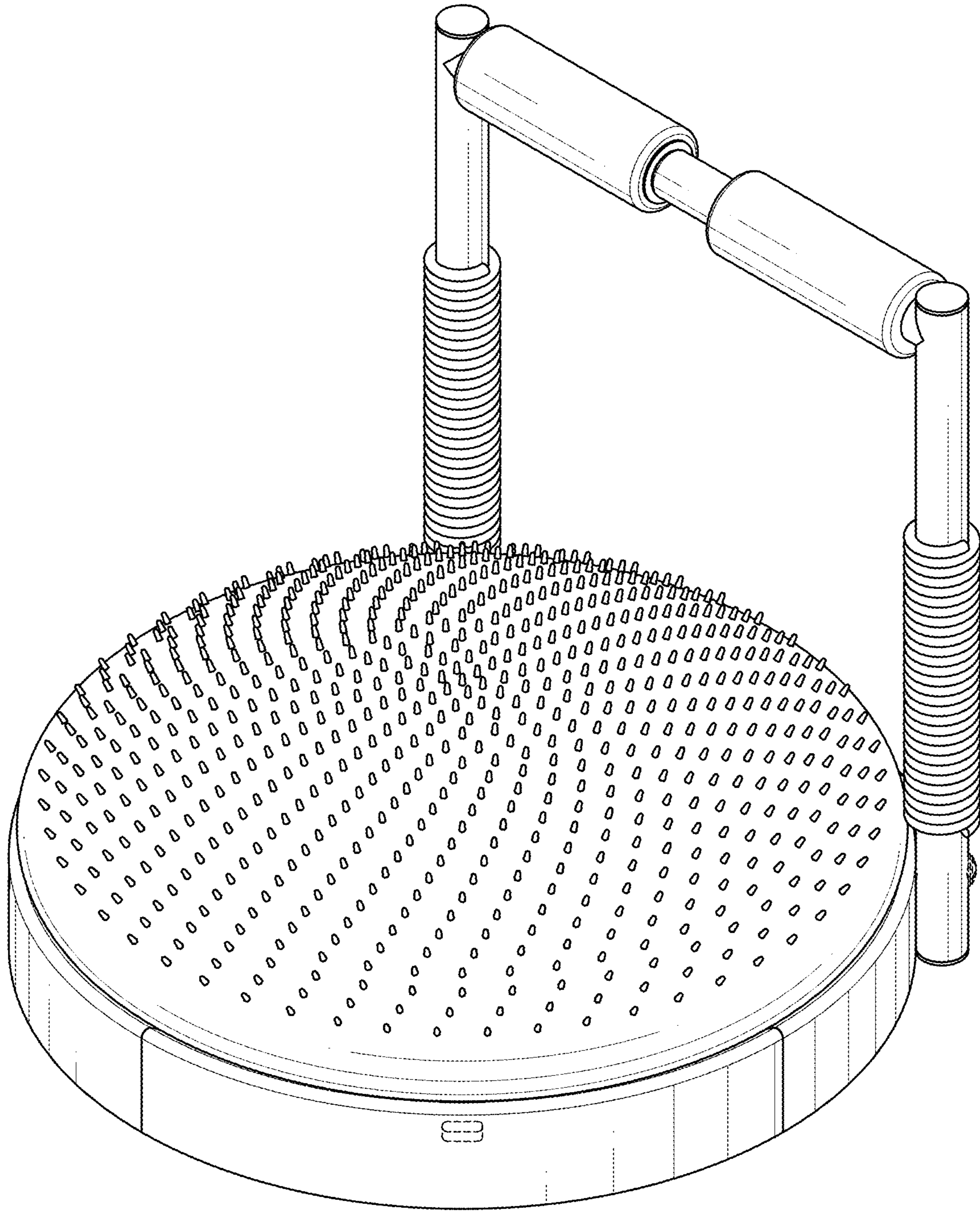


FIG.1

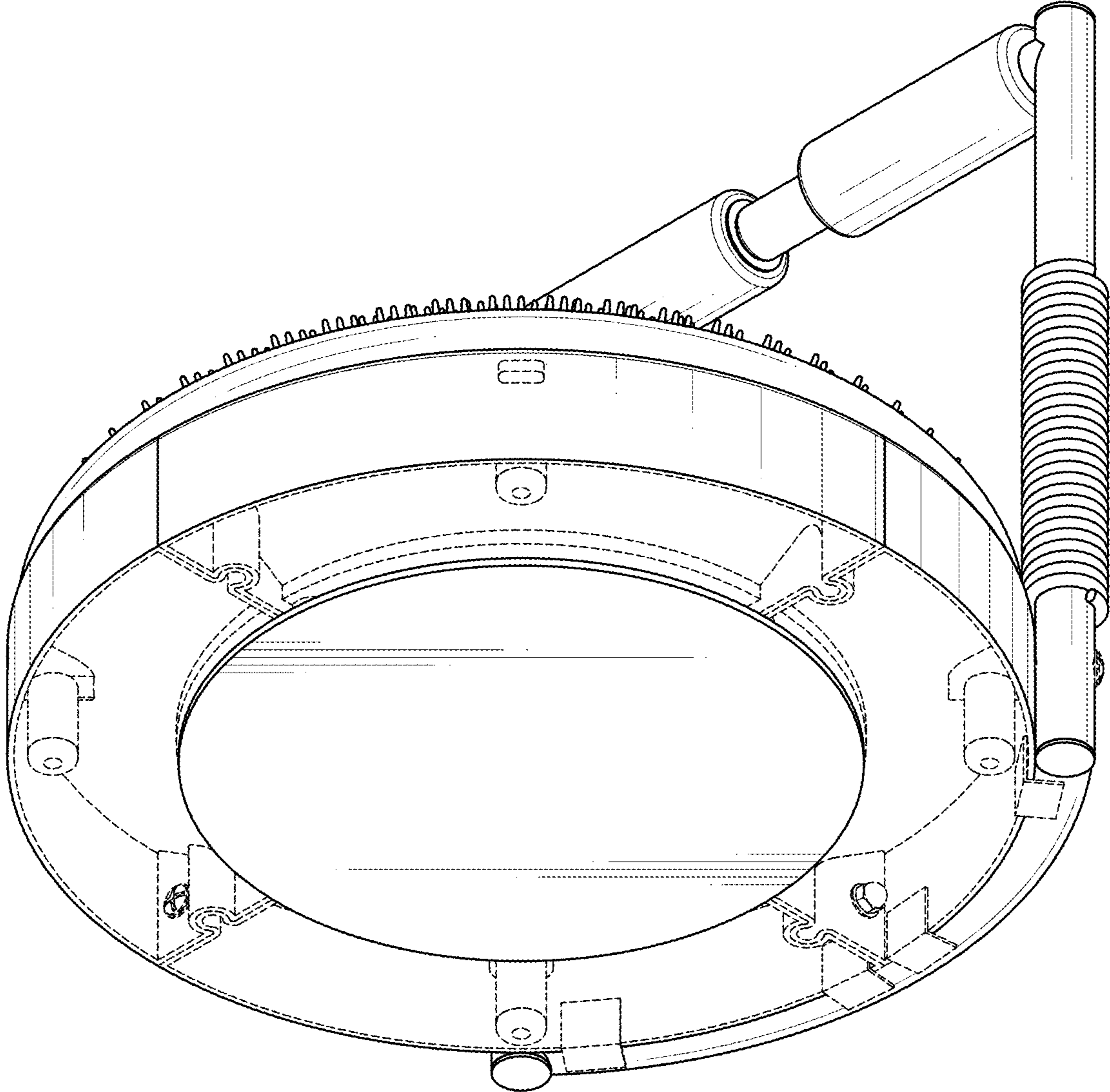


FIG.2

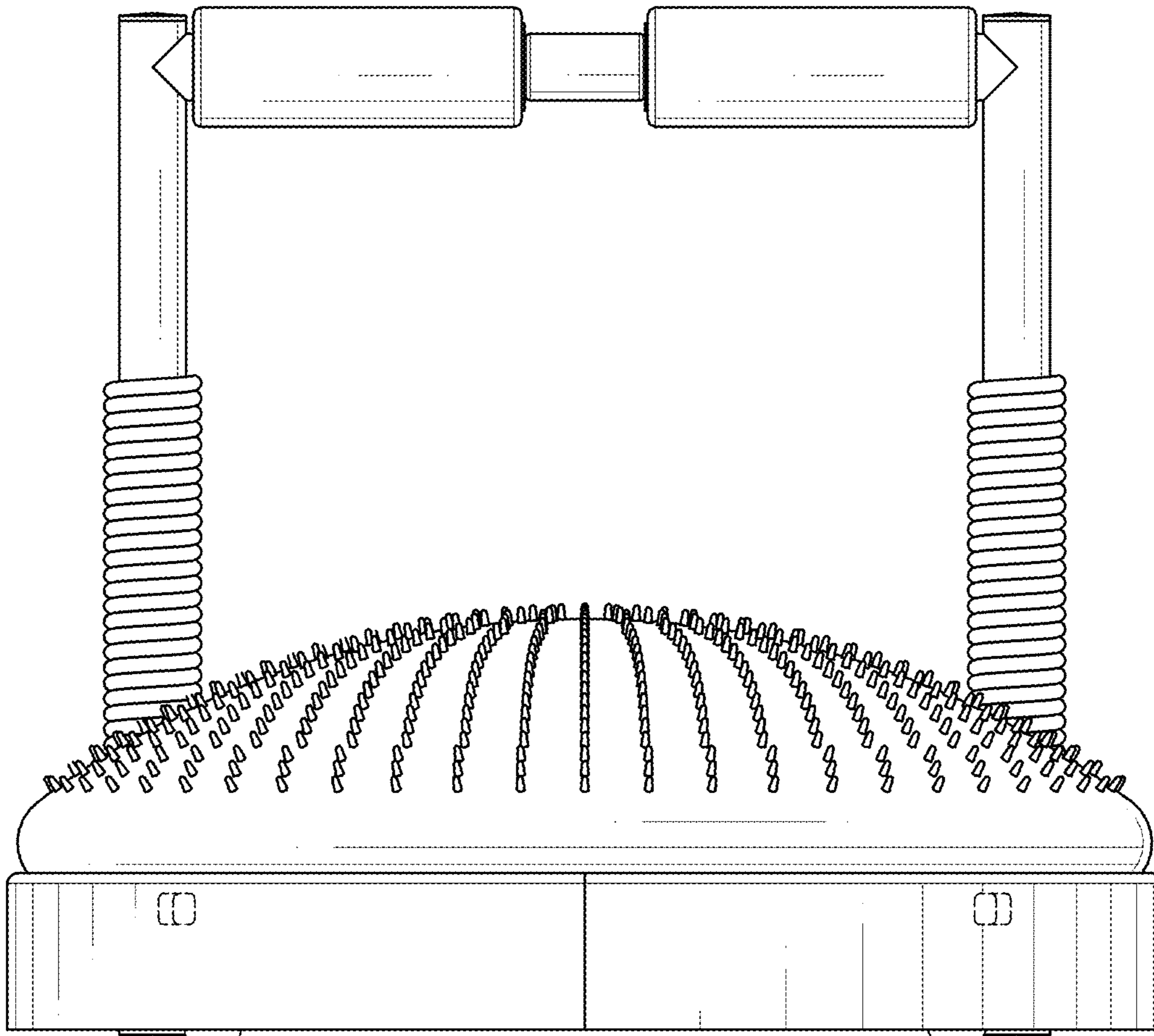


FIG.3

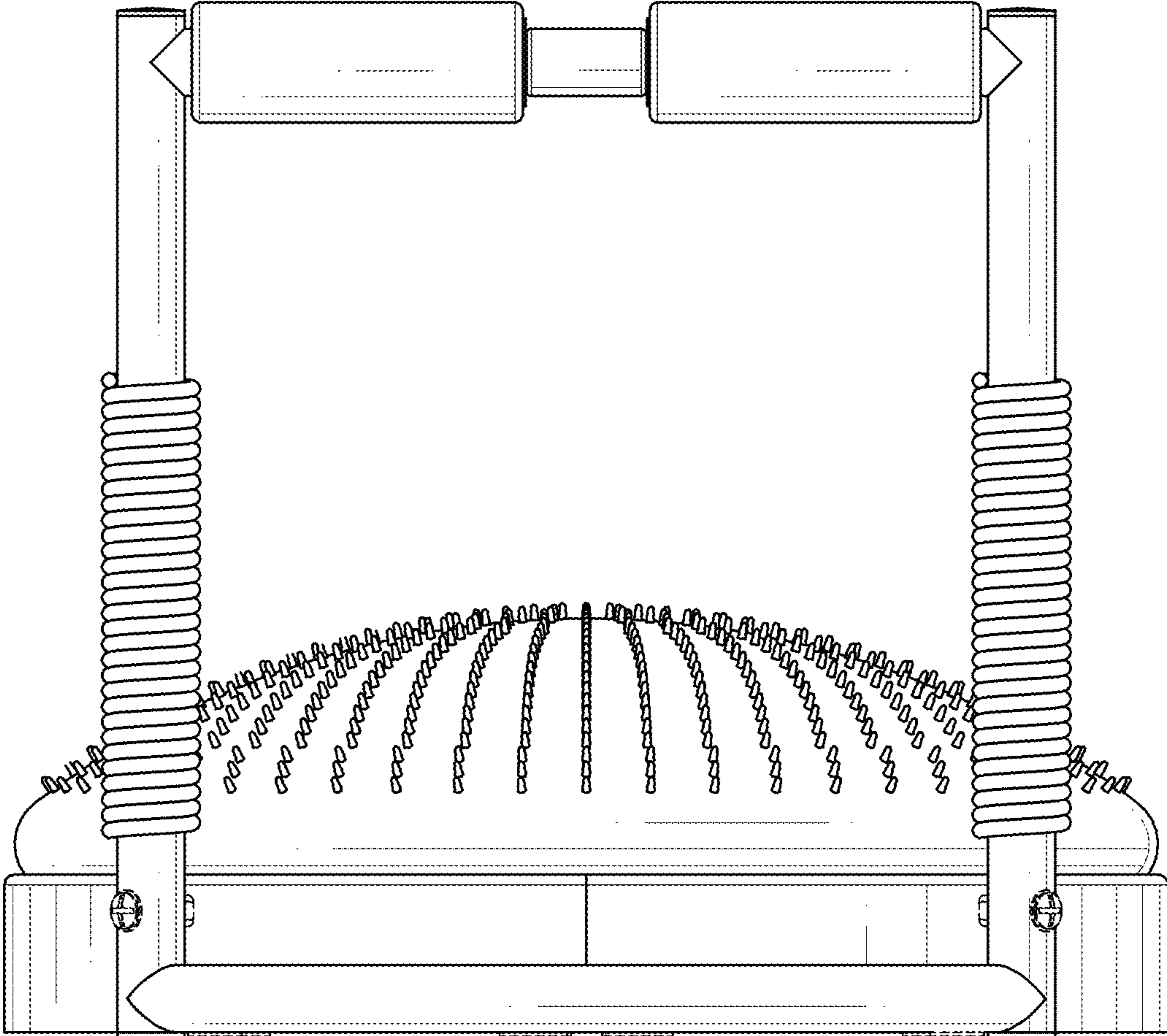


FIG.4

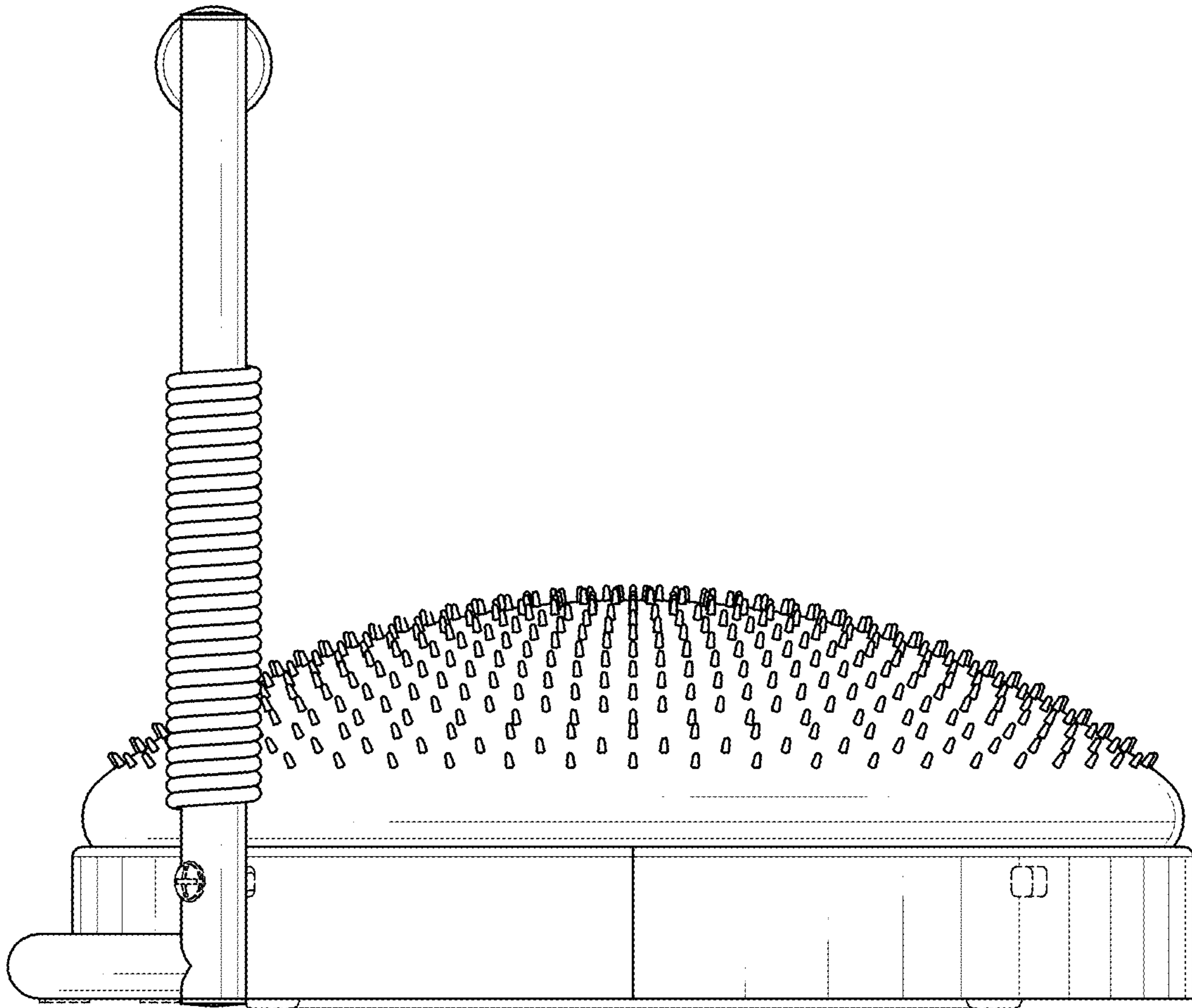


FIG.5

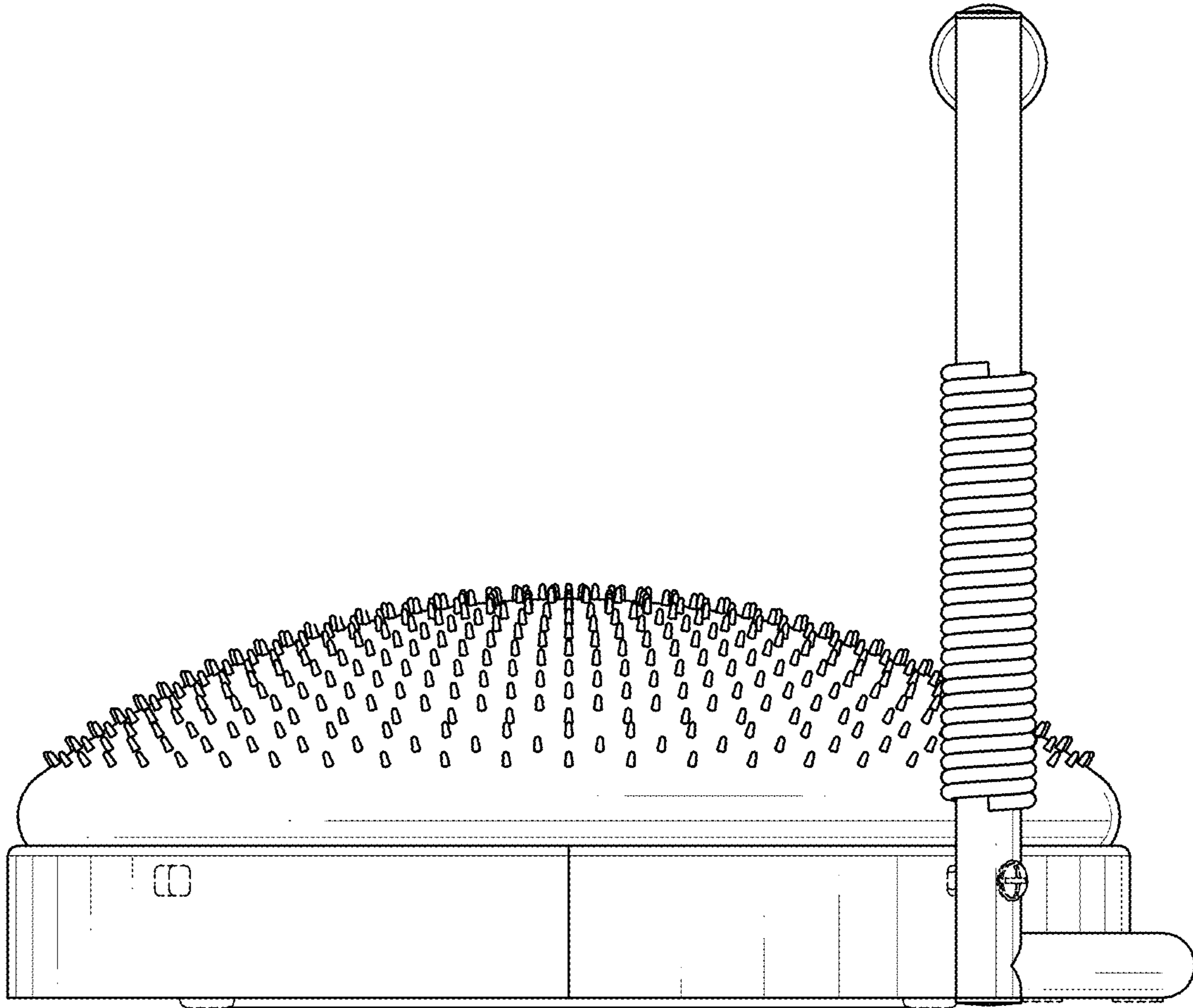


FIG.6

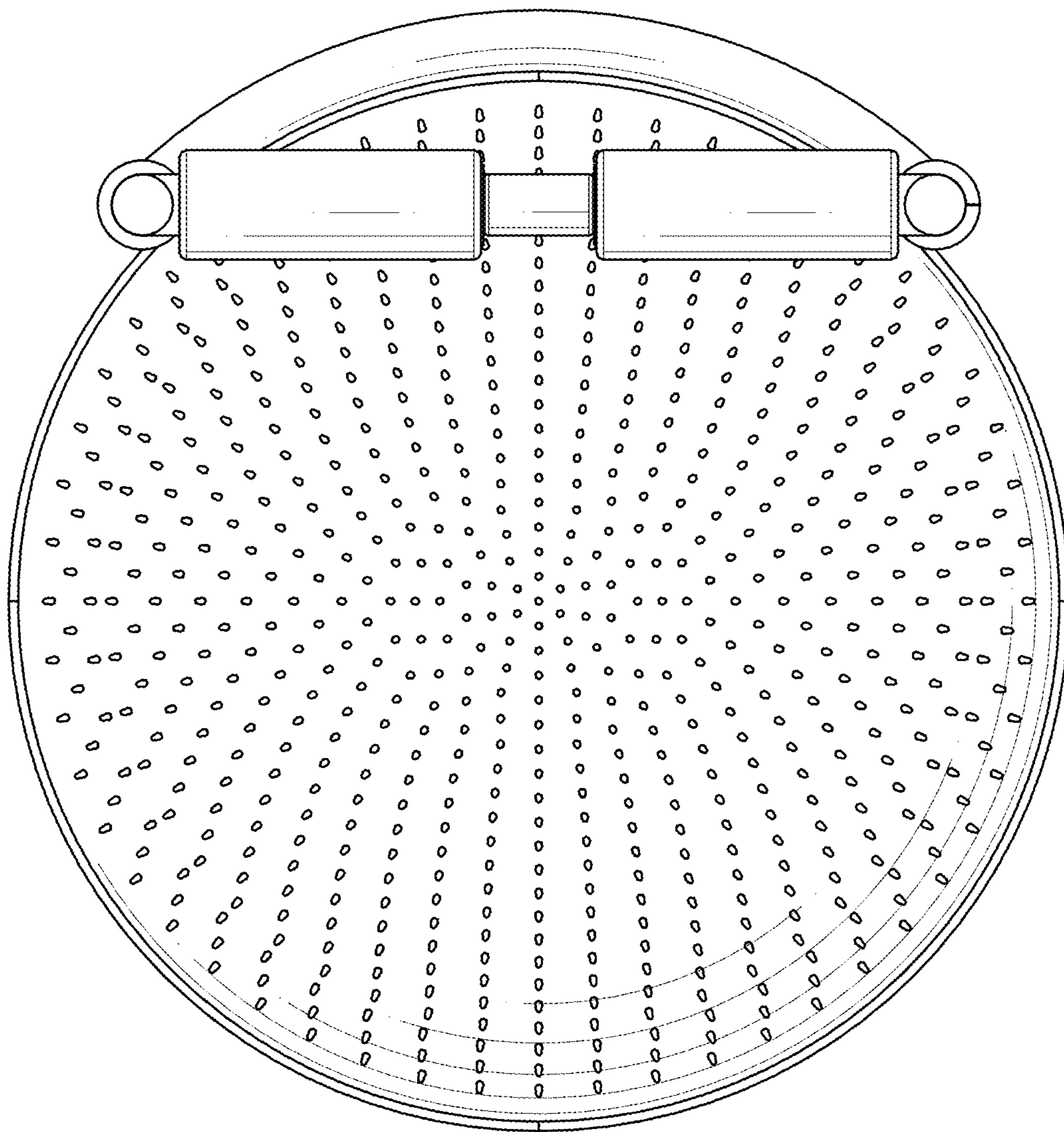


FIG.7



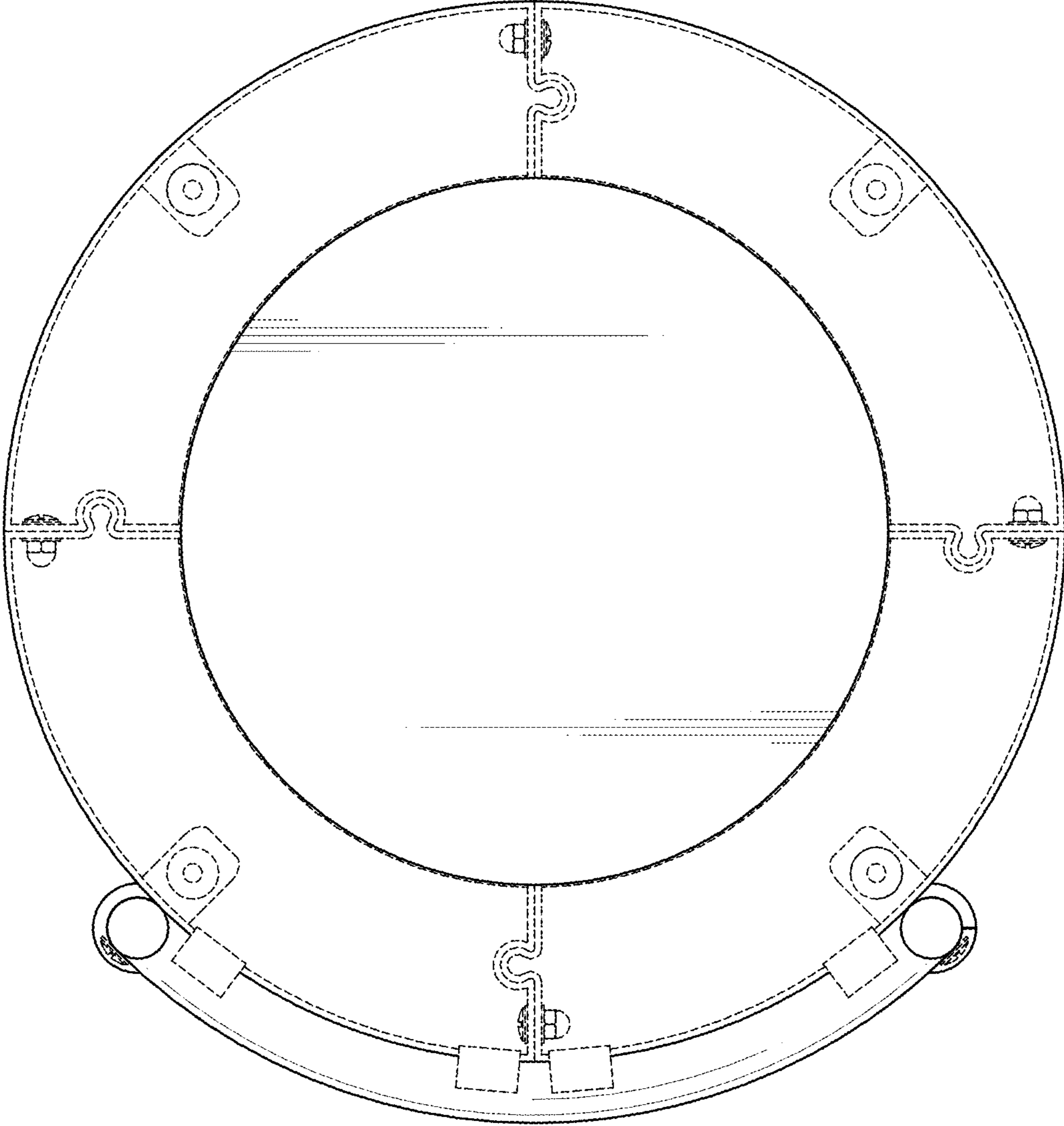


FIG.8