



US00D916215S

(12) **United States Design Patent**  
**Jones**

(10) **Patent No.:** **US D916,215 S**  
(45) **Date of Patent:** **\*\* \*Apr. 13, 2021**

- (54) **CALF-RAISE PLATFORM**
- (71) Applicant: **Fabian Jones**, Houston, TX (US)
- (72) Inventor: **Fabian Jones**, Houston, TX (US)
- (\*) Notice: This patent is subject to a terminal disclaimer.
- (\*\*) Term: **15 Years**

4,380,231 A \* 4/1983 Rocha ..... A61H 15/00  
482/79  
D276,062 S \* 10/1984 Dennis ..... D21/688  
D298,266 S \* 10/1988 Reyneke ..... D21/685  
5,222,925 A \* 6/1993 Maycock ..... A63B 23/14  
482/132  
5,284,465 A \* 2/1994 Homan, Jr. .... A63B 21/00047  
482/148  
5,292,296 A \* 3/1994 Davignon ..... A63B 22/16  
472/135  
5,330,399 A \* 7/1994 Fan ..... A63B 22/16  
403/291

(21) Appl. No.: **29/692,285**

(Continued)

(22) Filed: **May 23, 2019**

**OTHER PUBLICATIONS**

- (51) **LOC (13) Cl.** ..... **21-02**
- (52) **U.S. Cl.**  
USPC ..... **D21/686**

Calf Raise Platform by Achilles dated no date given. Found online [Aug. 27, 2020] <https://achilles3dx.com/calf-raise-platform/>.\*

- (58) **Field of Classification Search**  
USPC ..... D21/668, 688, 671, 686, 662, 689, 687,  
D21/413, 412, 423, 692, 694, 698, 760,  
D21/765, 766, 769, 803, 788, 333, 100;  
482/70, 79, 71, 132, 34, 146, 142, 93,  
482/105, 110, 121, 123, 126, 130, 139,  
482/141, 147, 148, 51, 52, 77; 472/135,  
472/110, 14, 218, 269, 409, 451, 452;  
600/595; 473/451, 452, 269, 409;  
D6/349, 353, 406.3, 582, 592, 685,  
D6/707.22, 361, 348; 280/205, 87.042,  
280/609; D14/413, 419, 216; D24/211  
CPC ..... A63B 26/003; A63B 22/16; A63B 22/18;  
A63B 21/0442; A63B 21/0004; A63B  
2208/0204; A63B 23/0458; A63B  
2022/0033; A63B 2071/027; A47C 3/029;  
A47C 3/02; A61H 1/003  
See application file for complete search history.

*Primary Examiner* — Ryan Harvey  
(74) *Attorney, Agent, or Firm* — QuickPatents; Kevin Prince

(57) **CLAIM**

The ornamental design for a calf-raise platform, as shown and described.

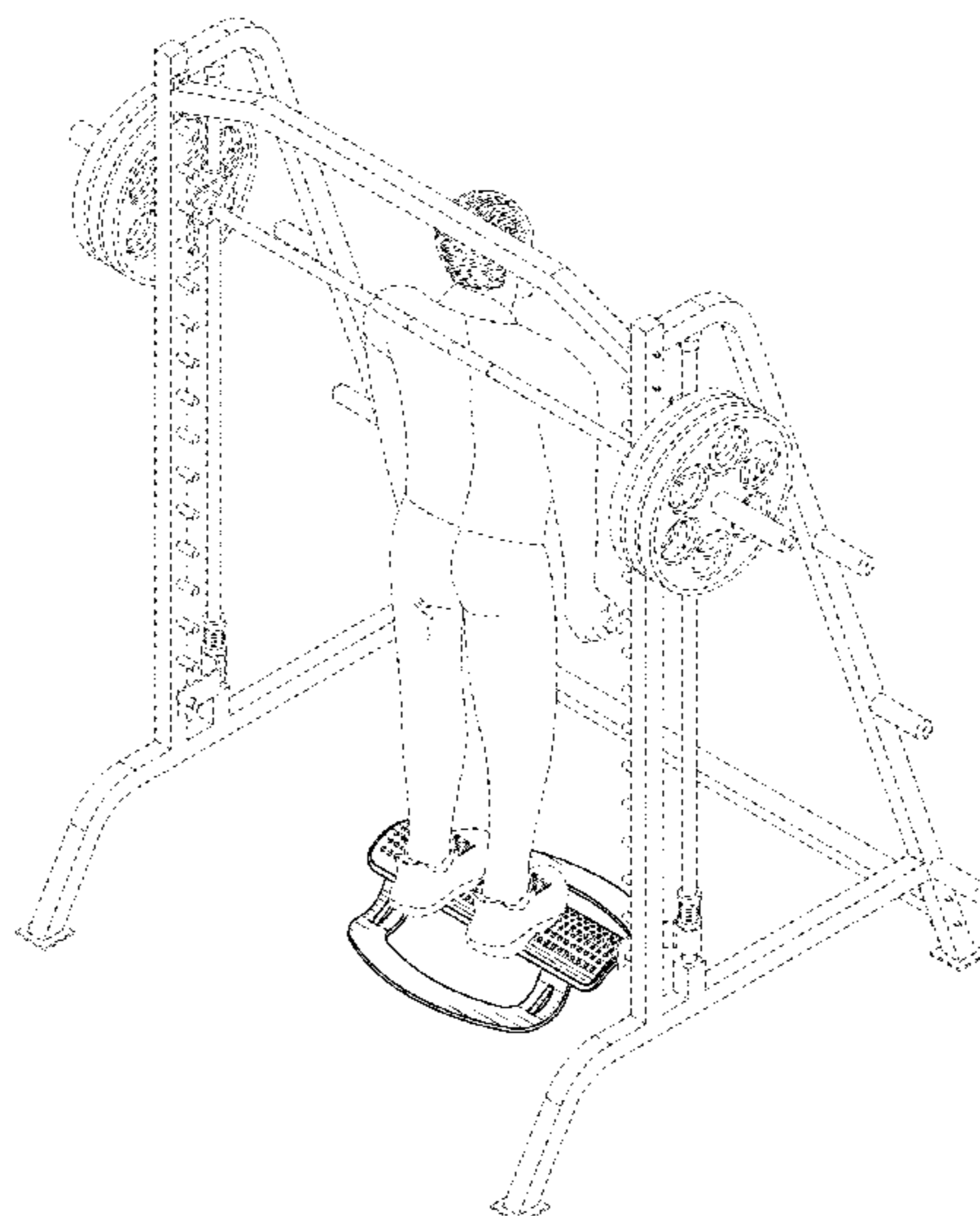
**DESCRIPTION**

FIG. 1 is a perspective view of a calf-raise platform, showing my new design;  
 FIG. 2 is a top perspective view thereof;  
 FIG. 3 is a bottom perspective view thereof;  
 FIG. 4 is a front elevational view thereof, the rear elevational view being a mirror image thereof;  
 FIG. 5 is a left-side elevational view thereof, the right-side elevational view being a mirror image thereof;  
 FIG. 6 is a top plan view thereof; and,  
 FIG. 7 is a bottom plan view thereof.  
 The broken lines showing a person and an exercise machine in FIG. 1 depict environmental matter and form no part of the claimed design.

- (56) **References Cited**  
U.S. PATENT DOCUMENTS

D174,430 S \* 4/1955 Horowitz ..... D21/814  
 3,895,794 A \* 7/1975 England ..... A63B 22/16  
 482/146

**1 Claim, 4 Drawing Sheets**



(56)

References Cited

U.S. PATENT DOCUMENTS

5,529,550 A *	6/1996	Maycock, Jr. ....	A63B 21/0552	482/132	D741,963 S *	10/2015	Baumann .....	D21/688
D375,985 S *	11/1996	Dailey .....	D21/412		9,387,363 B1 *	7/2016	Polinsky .....	A63B 22/18
5,643,164 A *	7/1997	Teff .....	A63B 22/16	482/146	9,415,260 B2 *	8/2016	Islas .....	A63B 21/4037
D382,610 S *	8/1997	Maycock, Jr. ....	D21/684		D807,521 S *	1/2018	Wayman .....	D24/200
D383,510 S *	9/1997	Bernardson .....	D21/688		D843,514 S *	3/2019	Schmidt-Gabriel .....	D21/688
D405,135 S *	2/1999	Scott .....	D21/688		D843,516 S *	3/2019	Allison .....	D21/688
D420,407 S *	2/2000	Garcia .....	D21/688		D851,187 S *	6/2019	Leier .....	D21/694
D460,507 S *	7/2002	Stewart .....	D21/688		D875,194 S *	2/2020	Zhou .....	D21/688
6,447,429 B1 *	9/2002	Chen .....	A63B 21/0004	482/79	D877,826 S *	3/2020	Benoit .....	D21/694
6,461,285 B1 *	10/2002	Theunissen .....	A63B 26/003	273/110	D878,496 S *	3/2020	Hoppe .....	D21/680
D502,231 S *	2/2005	Auberger .....	D21/688		D879,218 S *	3/2020	Jones .....	D21/686
D505,985 S *	6/2005	Carbonero .....	D21/671		D879,890 S *	3/2020	Jones .....	D21/686
D513,297 S *	12/2005	Bourget .....	D21/814		D890,269 S *	7/2020	Grant .....	D21/679
D536,753 S *	2/2007	Rongo .....	D21/685		2007/0298949 A1 *	12/2007	Soletski .....	A63B 22/16
								482/146
					2017/0239507 A1 *	8/2017	Haas .....	A63B 21/0552
					2019/0030393 A1 *	1/2019	Petersen .....	A63B 22/20

\* cited by examiner

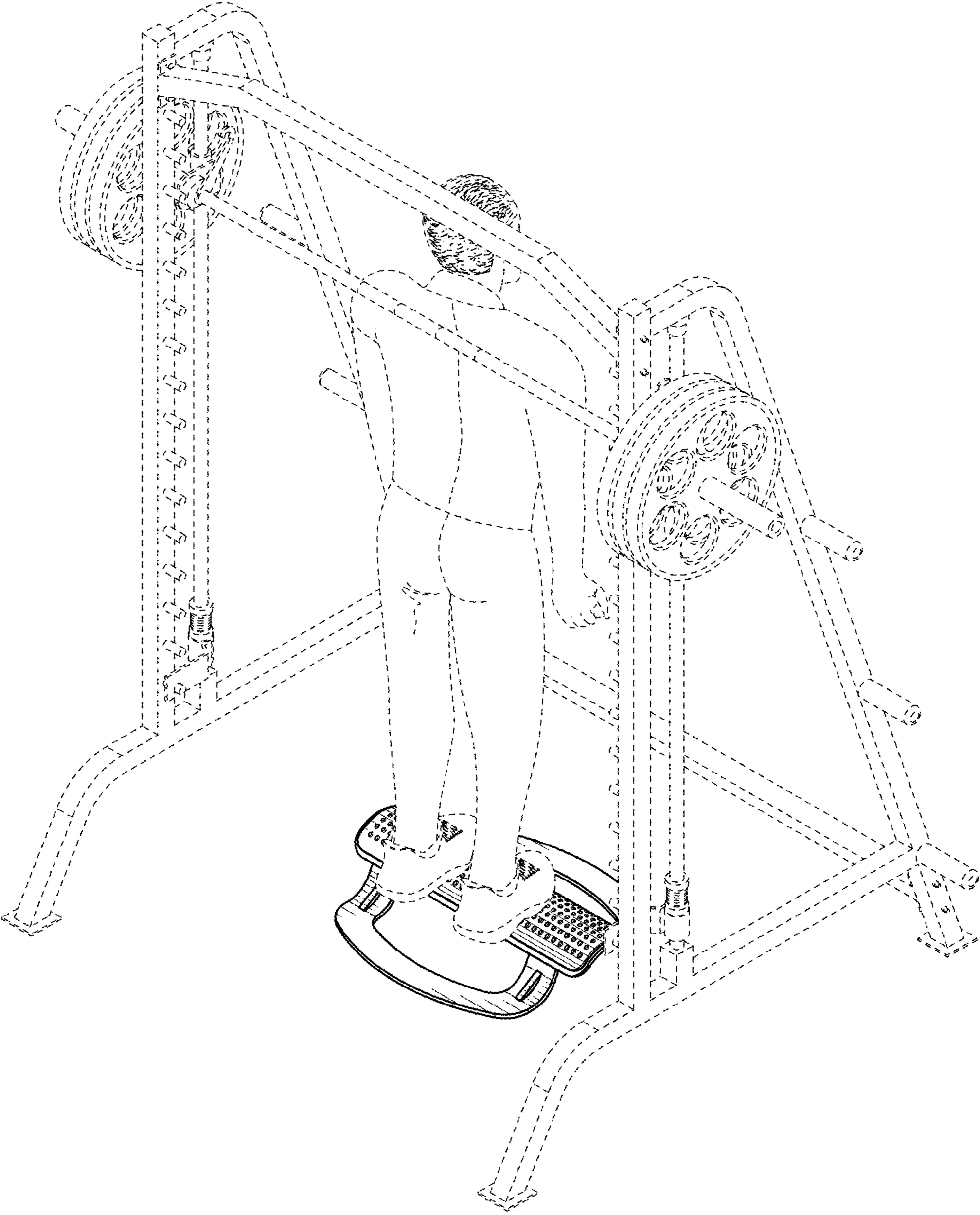


FIG. 1

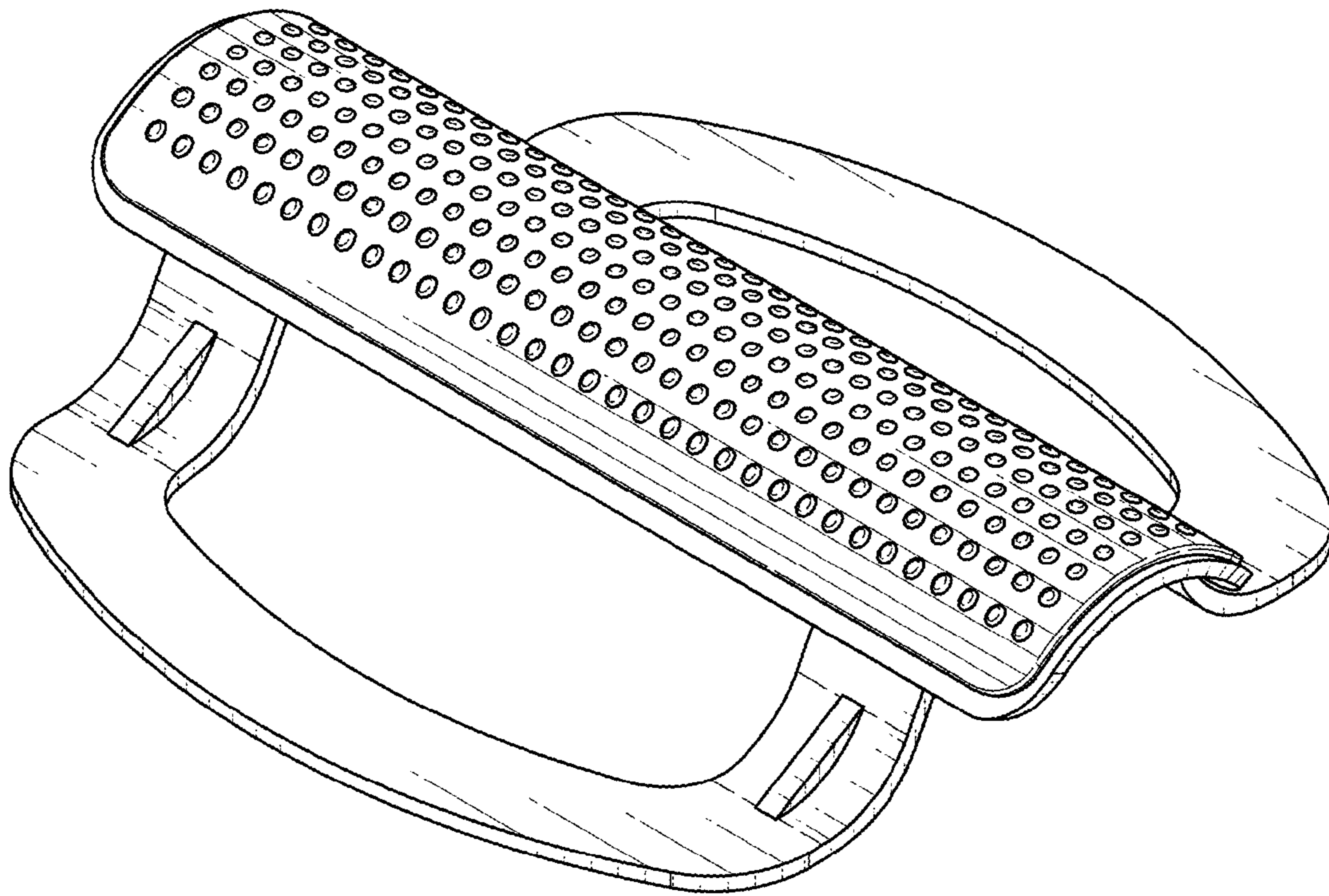


FIG. 2

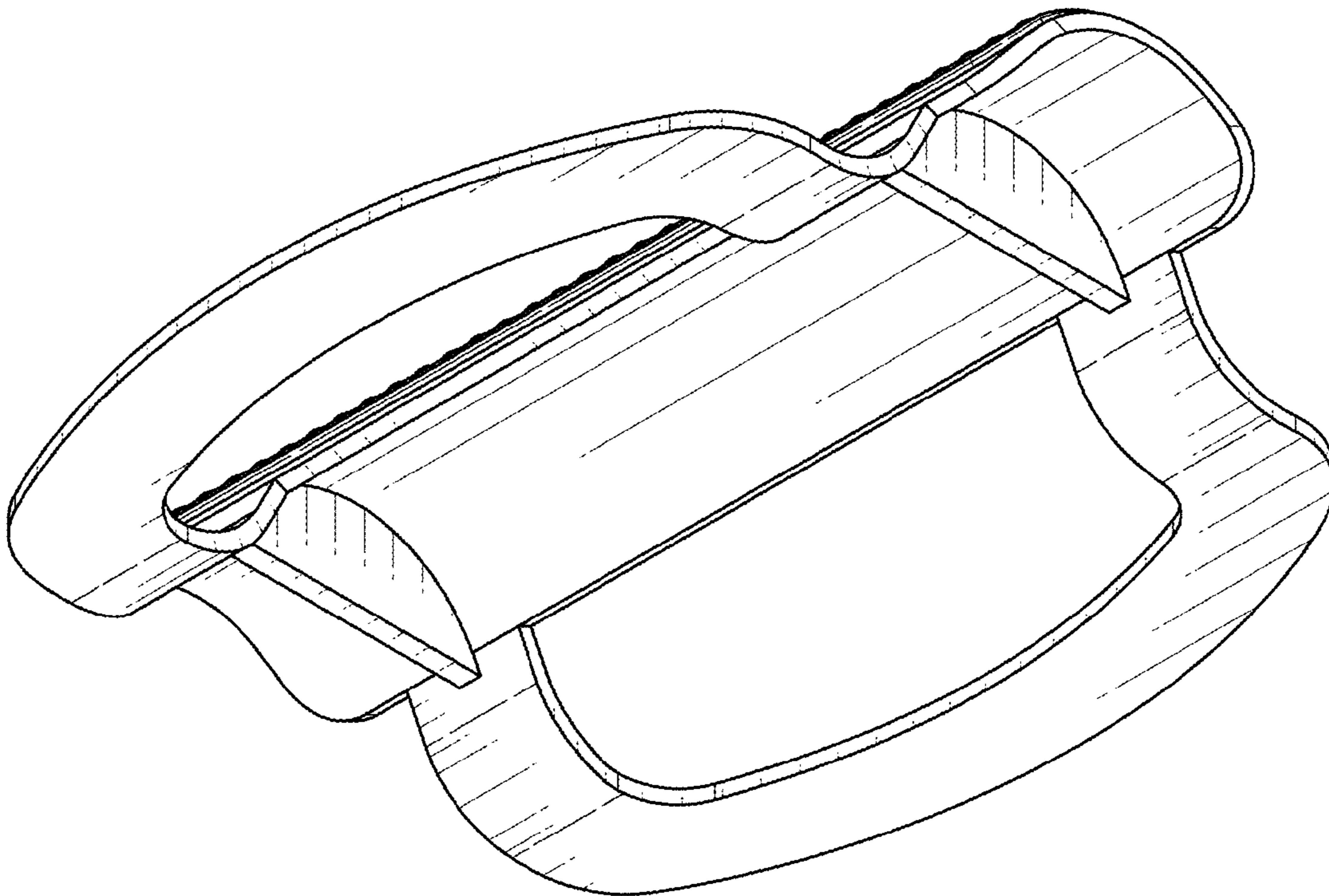


FIG. 3

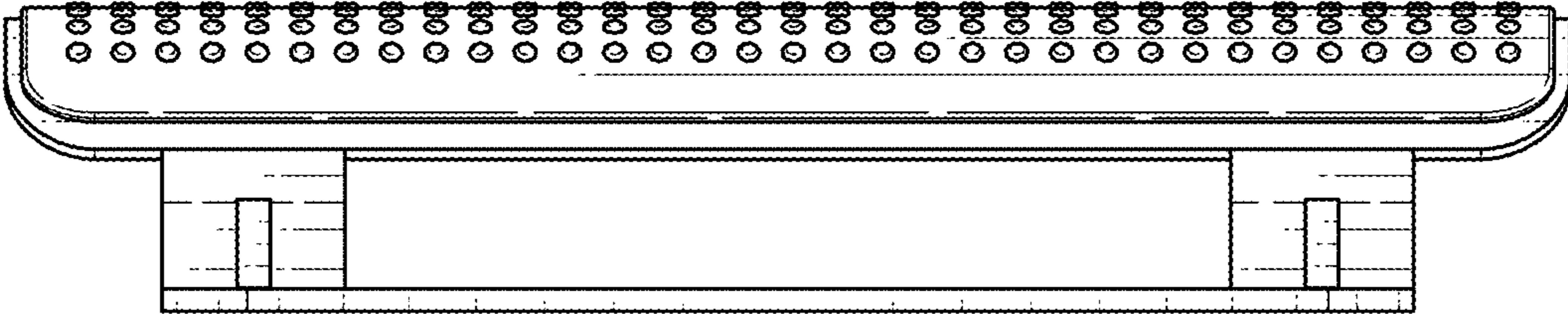


FIG. 4

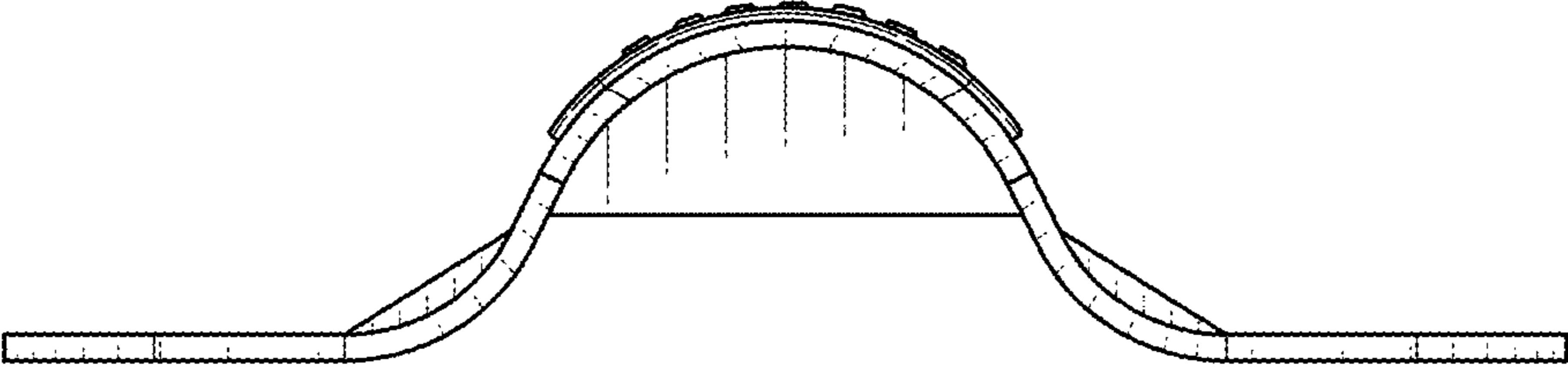


FIG. 5

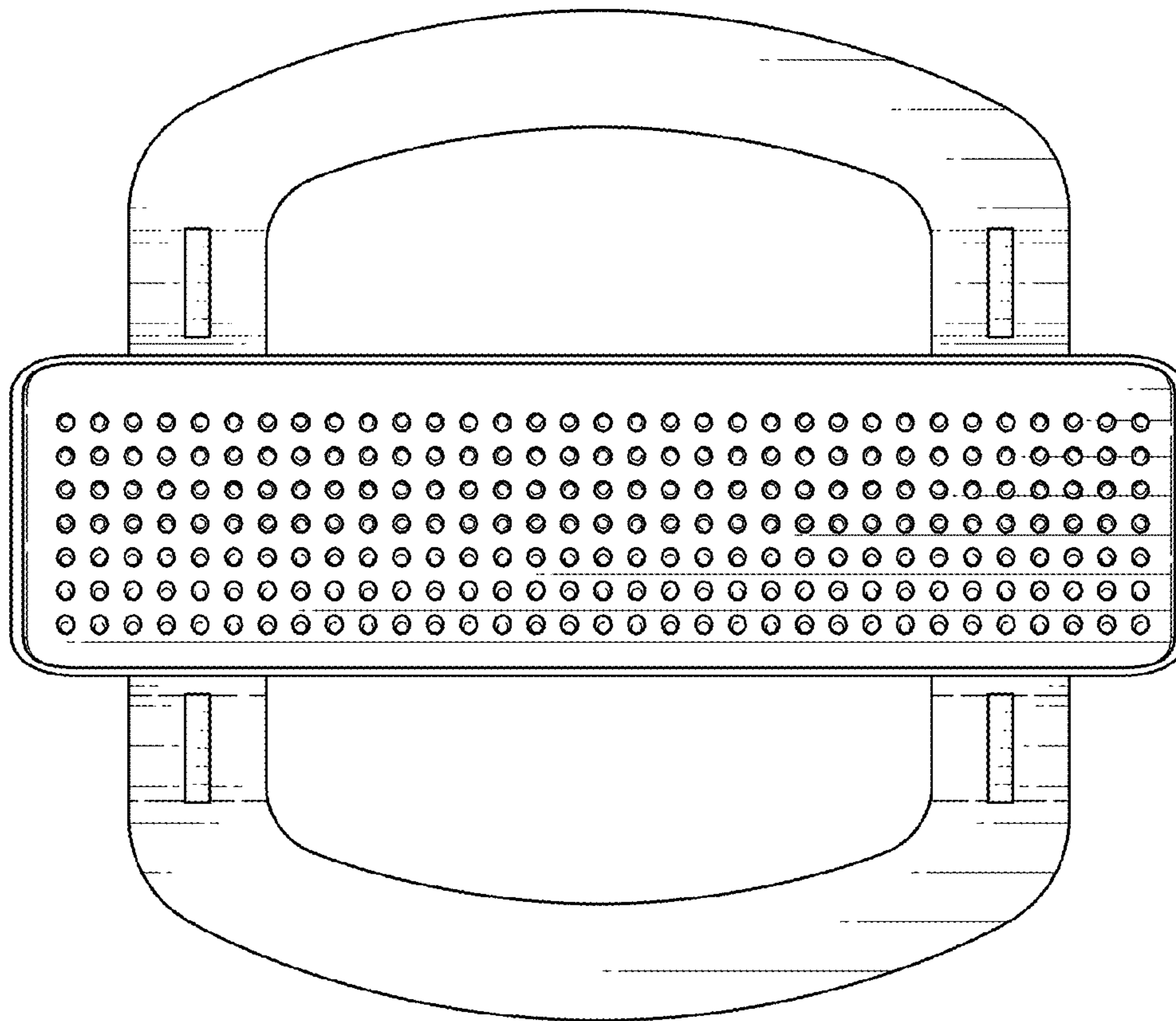


FIG. 6

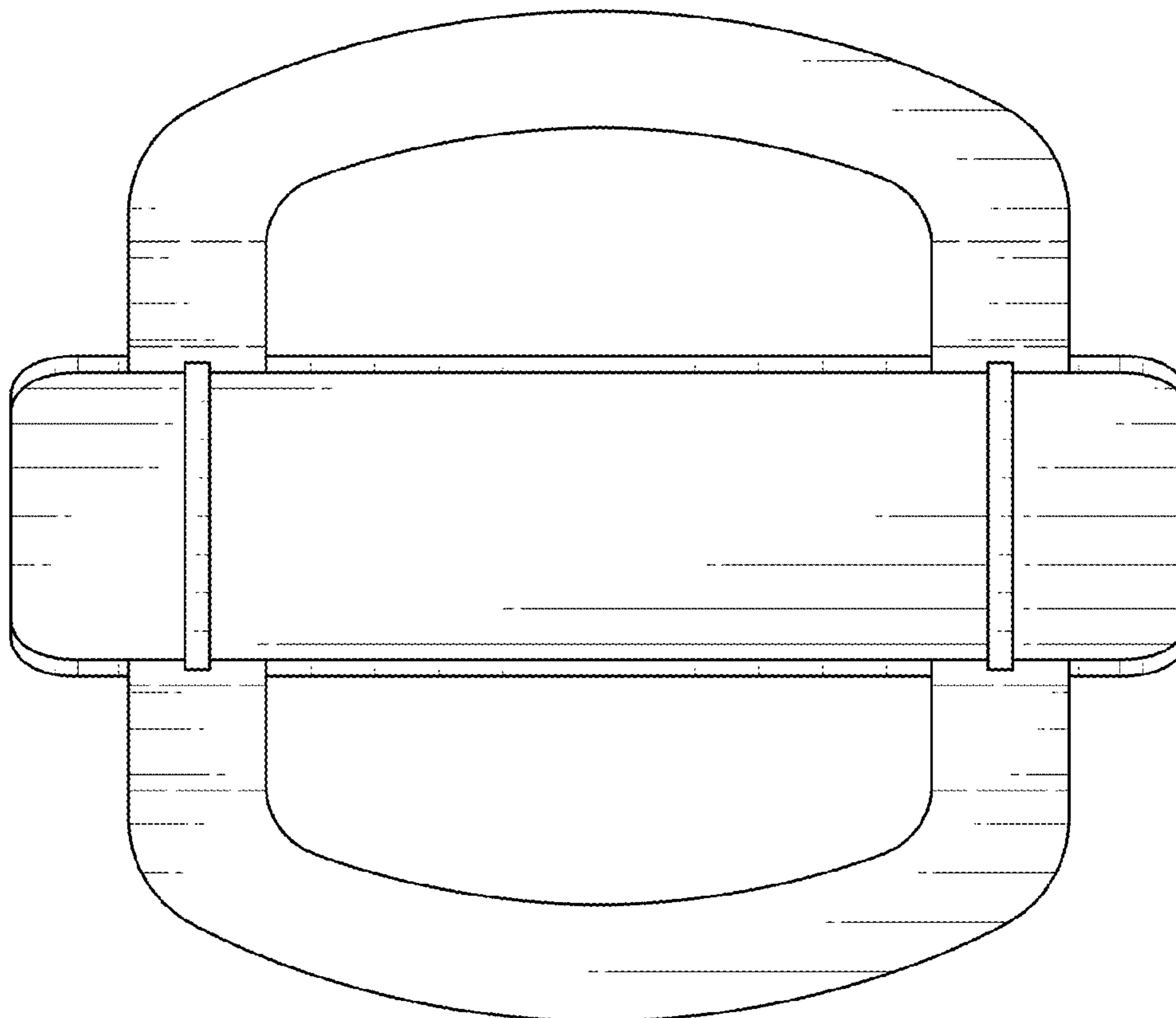


FIG. 7