



US00D916214S

(12) **United States Design Patent** (10) **Patent No.:** **US D916,214 S**
Gonzales (45) **Date of Patent:** **** Apr. 13, 2021**

(54) **MULTI-GRIP BENCH BAR**

- (71) Applicant: **Roswitha C Gonzales**, Pueblo West, CO (US)
- (72) Inventor: **Roswitha C Gonzales**, Pueblo West, CO (US)
- (**) Term: **15 Years**
- (21) Appl. No.: **29/712,022**
- (22) Filed: **Nov. 5, 2019**
- (51) **LOC (13) Cl.** **21-02**
- (52) **U.S. Cl.**
USPC **D21/682**
- (58) **Field of Classification Search**
USPC D21/687, 686, 669, 673, 679, 690, 691, D21/692, 694, 676, 674, 670, 663, 662, D21/423, 695, 682, 677, 688, 683, 684, D21/685; D24/183, 188; D8/355, 356, D8/359

See application file for complete search history.

(56) **References Cited**

U.S. PATENT DOCUMENTS

2,508,567	A *	5/1950	Dymeck	A63B 21/0724
					482/106
8,951,170	B1 *	2/2015	Tayo	A63B 21/4035
					482/107
9,254,410	B1 *	2/2016	Mirza	A63B 23/12
D816,782	S *	5/2018	Petek	D21/681
D898,134	S *	10/2020	Hitman	D21/679
2003/0130096	A1 *	7/2003	LaCroce	A63B 21/4035
					482/106
2011/0300998	A1 *	12/2011	Sullivan	A63B 21/0724
					482/94

OTHER PUBLICATIONS

Body solid ob47b, announced 2009 [online], [site visited Nov. 17, 2020]. Available from internet, URL: https://www.amazon.com/Body-Solid-Tools-Olympic-OB47B-Inches/dp/B001NDL9FS/ref=sr_1_1?dchild=1&keywords=body+solid+ob47b+47+in+ez+curl+black&qid=1606230729&sr=8-1 (Year: 2009).*

Body solid ob34, announced 2008-2020 [online], [site visited Nov. 17, 2020]. Available from internet, URL: https://www.amazon.com/dp/B001K4QJ3W/ref=emc_b_5_i (Year: 2008).*

* cited by examiner

Primary Examiner — Khawaja Anwar

Assistant Examiner — Julice Seung Eun Oum

(74) *Attorney, Agent, or Firm* — Hanes & Bartels LLC

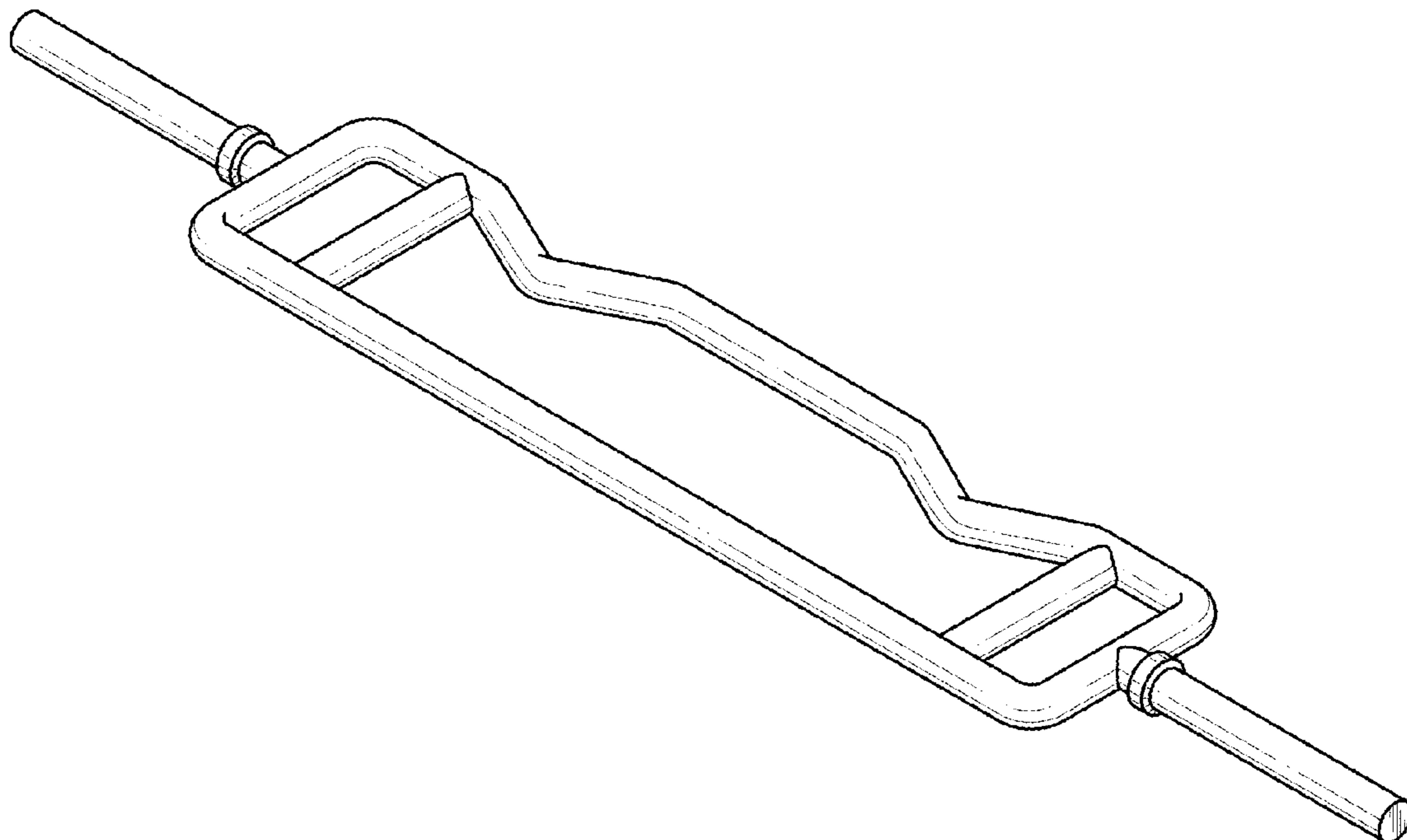
(57) **CLAIM**

The ornamental design for multi-grip bench bar, as shown and described.

DESCRIPTION

FIG. 1 is a perspective view of the multi-grip bench bar. FIG. 2 is a perspective view of the multi-grip bench bar with bar bell weights carried by the bar shown in dashed lines, which form no part of the invention. FIG. 3 is a top view of the bench bar. FIG. 4 is a side view of the bench bar. FIG. 5 is the opposite side view of the bench bar. FIG. 6 is an end view of the bench bar. FIG. 7 is the opposite end view of the bench bar; and, FIG. 8 is a top view of the bench bar with the environment in which the bench bar is used shown in dashed lines. The objects shown in dashed lines form no part of the present invention.

1 Claim, 4 Drawing Sheets



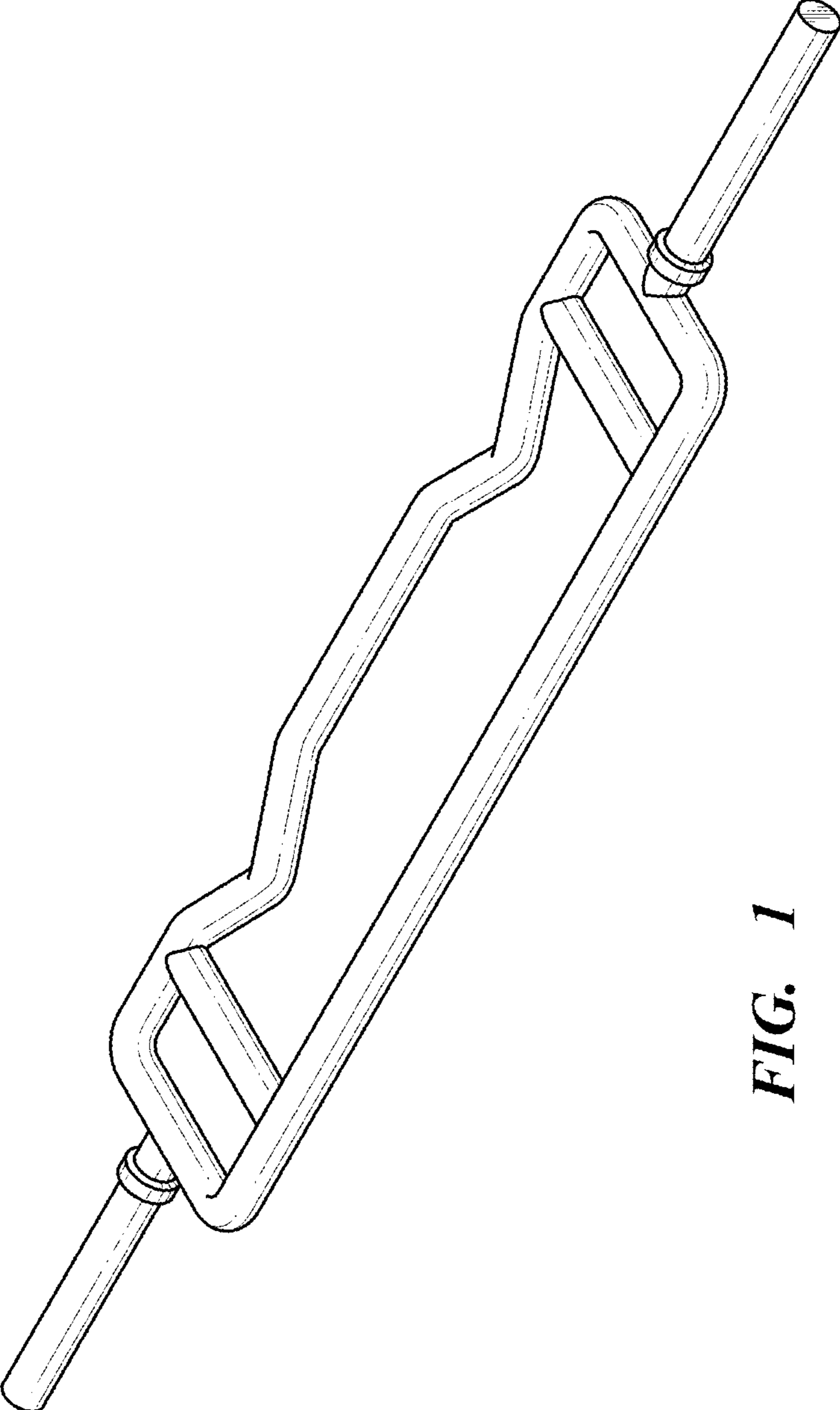


FIG. 1

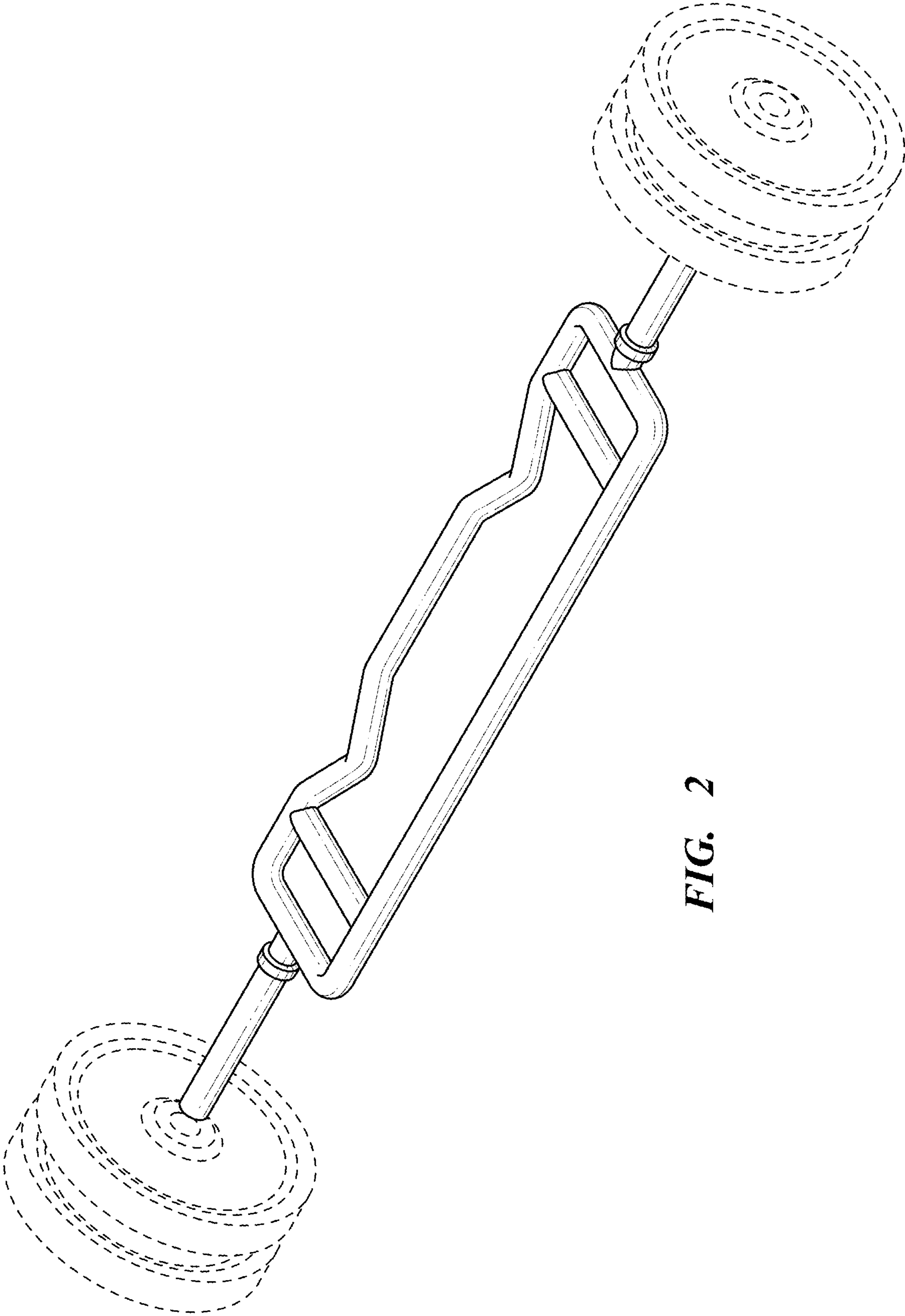


FIG. 2

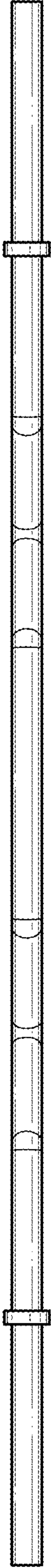


FIG. 4

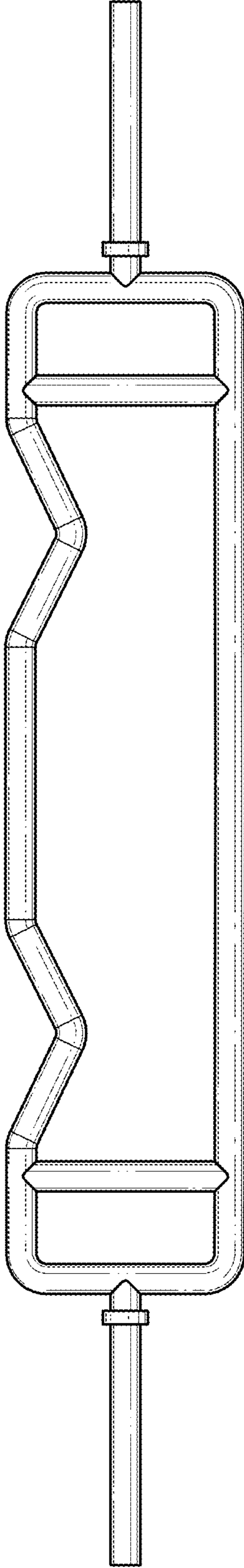


FIG. 3

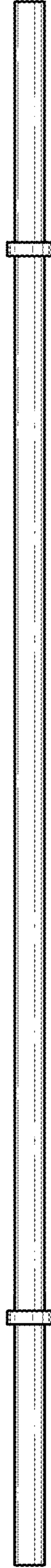


FIG. 5



FIG. 7



FIG. 6

FIG. 8

