



US00D916213S

(12) **United States Design Patent**
Dunahay

(10) **Patent No.:** **US D916,213 S**
(45) **Date of Patent:** **** Apr. 13, 2021**

(54) **ADJUSTABLE PLATFORM KIT**

DESCRIPTION

(71) Applicant: **Coulter Ventures LLC**, Columbus, OH (US)
(72) Inventor: **Nash Dunahay**, Gahanna, OH (US)
(73) Assignee: **Coulter Ventures, LLC.**, Columbus, OH (US)

(**) Term: **15 Years**

(21) Appl. No.: **29/642,816**

(22) Filed: **Apr. 2, 2018**

(51) **LOC (13) Cl.** **21-02**

(52) **U.S. Cl.**
USPC **D21/671**

(58) **Field of Classification Search**
USPC D6/552, 466, 467, 468, 672, 681.1;
211/49.1, 60.1, 70.1-70.6, 71; 248/49,
(Continued)

(56) **References Cited**

U.S. PATENT DOCUMENTS

D317,031 S * 5/1991 Ceppo D21/691
D336,671 S * 6/1993 Novakoski D21/686
(Continued)

OTHER PUBLICATIONS

<https://web.archive.org/web/20161004212702/http://www.roguefitness.com/metal-jerk-blocks> (Year: 2016).*
(Continued)

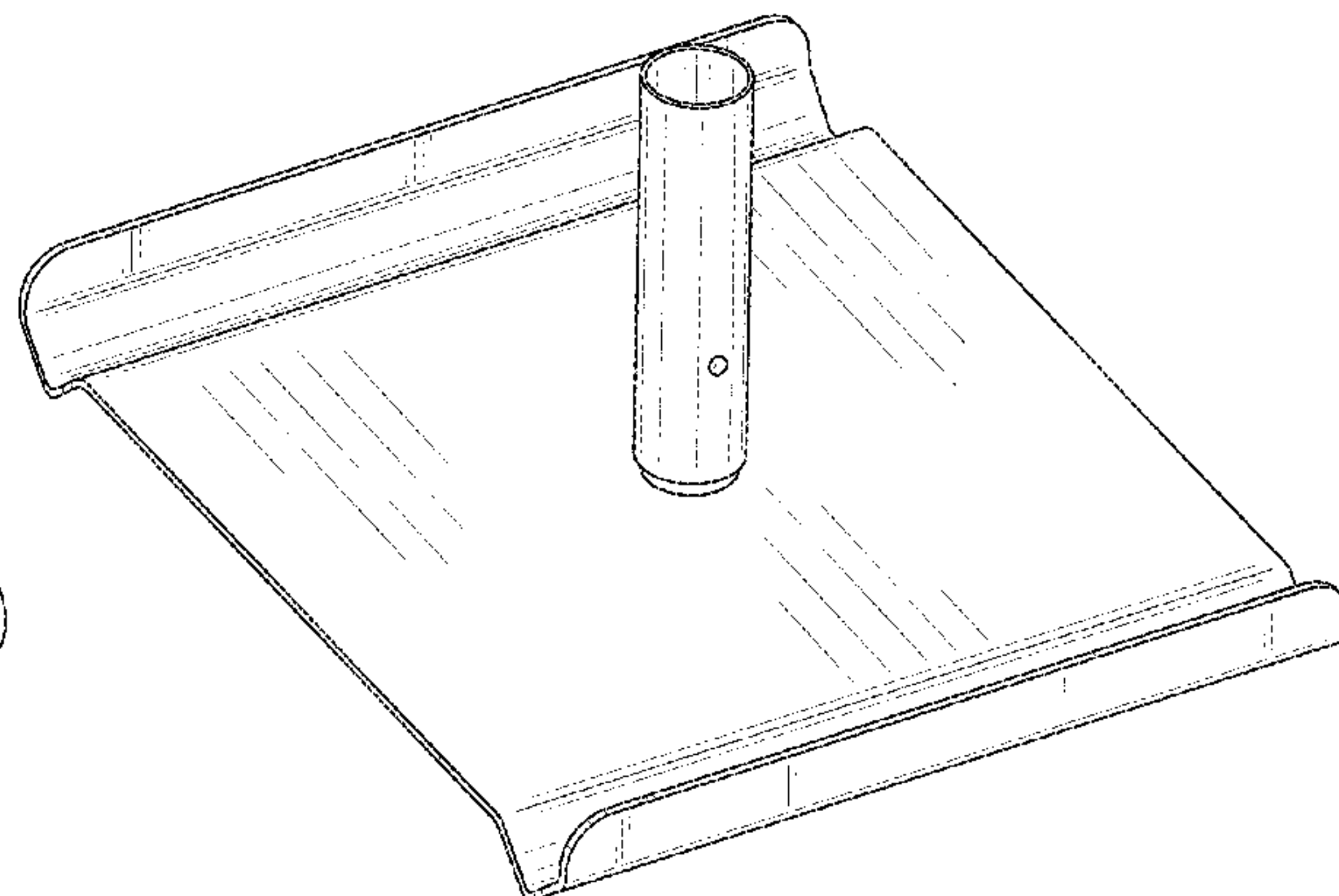
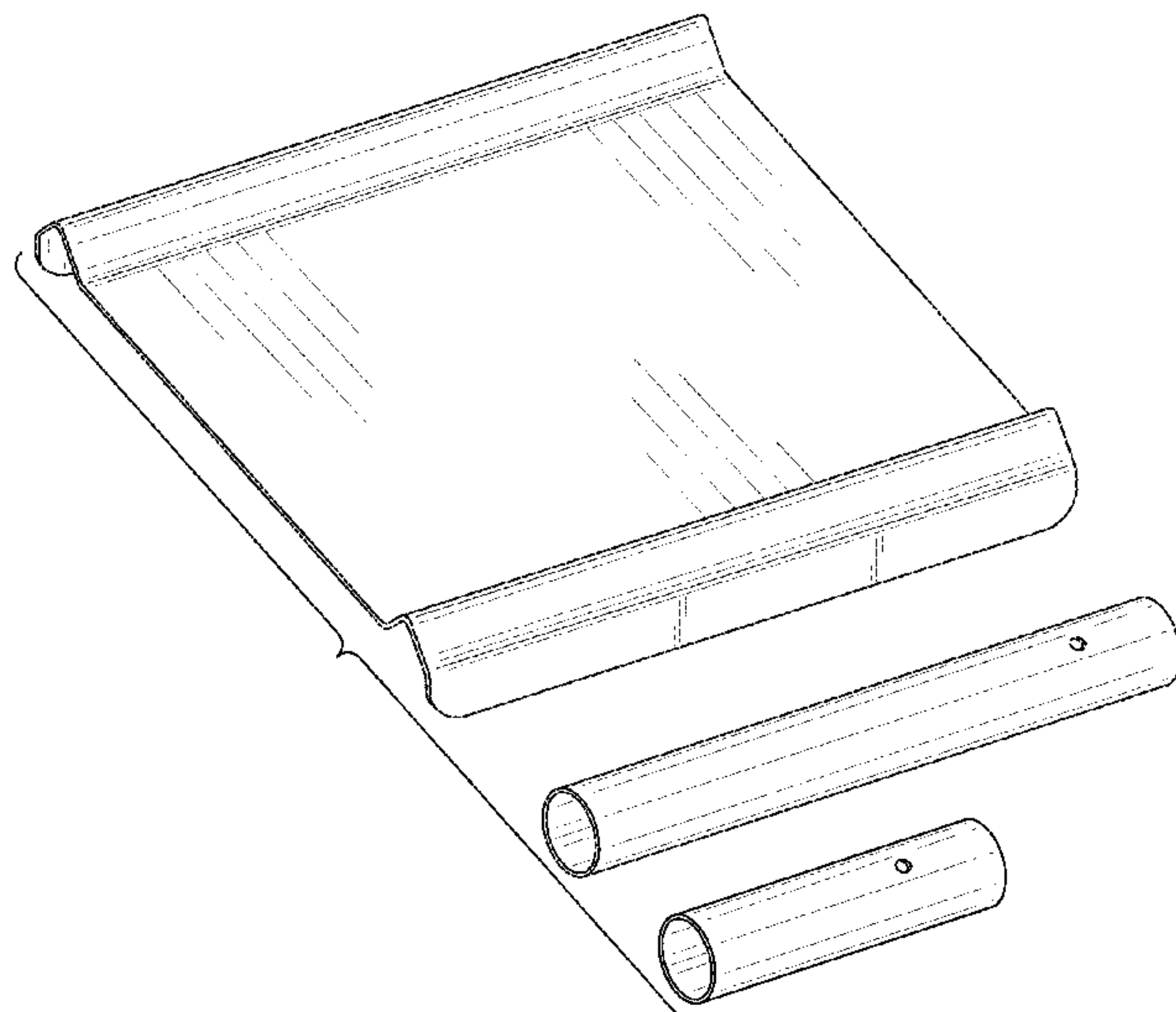
Primary Examiner — Mary Ann Calabrese
(74) *Attorney, Agent, or Firm* — Banner & Witcoff, Ltd.

(57) **CLAIM**

The ornamental design for an adjustable platform kit, as shown and described.

FIG. 1 is a top, front, left perspective view of an adjustable platform kit showing my new design in an unassembled configuration;
FIG. 2 is a top view of the top plate element of the kit of FIG. 1, shown in isolation for clarity of disclosure;
FIG. 3 is a front view thereof;
FIG. 4 is a rear view thereof;
FIG. 5 is a left side view thereof;
FIG. 6 is a right side view thereof;
FIG. 7 is a bottom view thereof;
FIG. 8 is a bottom, front, left perspective view thereof;
FIG. 9 is a bottom, front, right perspective view of the first tube element of the kit of FIG. 1, shown in isolation for clarity of disclosure;
FIG. 10 is a bottom view thereof;
FIG. 11 is a front view thereof;
FIG. 12 is a rear view thereof;
FIG. 13 is a left side view thereof;
FIG. 14 is a right side view thereof;
FIG. 15 is a top view thereof;
FIG. 16 is a top, front, right perspective view thereof;
FIG. 17 is a bottom, front, right perspective view of the second tube element of the kit of FIG. 1, shown in isolation for clarity of disclosure;
FIG. 18 is a bottom view thereof;
FIG. 19 is a front view thereof;
FIG. 20 is a rear view thereof;
FIG. 21 is a left side view thereof;
FIG. 22 is a right side view thereof;
FIG. 23 is a top view thereof;
FIG. 24 is a top, front, right perspective view thereof;
FIG. 25 is a side view showing the top plate element with the first tube element assembled in a first configuration of use;
FIG. 26 is a bottom, front, left perspective view thereof;
FIG. 27 is a side view showing the top plate element with the second tube element assembled in a second configuration of use; and,
FIG. 28 is a bottom, front, left perspective view thereof.

1 Claim, 28 Drawing Sheets



(58) **Field of Classification Search**

USPC 248/127, 176; D21/662, 676, 686, 690,
D21/691, 694, 671; D34/31; 482/93, 94,
482/104, 139, 148
CPC A63B 21/078; A63B 21/4029; A63B
21/0726

See application file for complete search history.

D879,216 S * 3/2020 Dunahay D21/686
D879,217 S * 3/2020 Dunahay D21/686
2015/0335939 A1* 11/2015 Pederson A63B 71/0036
482/104
2017/0326411 A1* 11/2017 Watterson A63B 22/0207
2018/0028853 A1* 2/2018 Cargill A63B 21/4035
2018/0126211 A1* 5/2018 Chen A63B 21/4033

(56)

References Cited

U.S. PATENT DOCUMENTS

D425,152 S * 5/2000 Ceppo D21/662
D425,950 S * 5/2000 Ceppo D21/662
D429,295 S * 8/2000 Ceppo D21/662
D487,490 S * 3/2004 Evans A63B 21/078
D21/686
6,732,480 B1* 5/2004 Smith E04D 15/00
52/126.1
D495,380 S * 8/2004 Ceppo D21/686
D495,381 S * 8/2004 Ceppo D21/686
D495,382 S * 8/2004 Ceppo D21/686
D495,383 S * 8/2004 Ceppo D21/686
D510,485 S * 10/2005 Selby D6/330
D628,247 S * 11/2010 de Boers D21/671
D681,750 S * 5/2013 Meyer-Hayoz D21/686
D707,982 S * 7/2014 Chin A63B 21/4035
D6/601
D720,505 S * 12/2014 Kersten D30/121
D789,703 S * 6/2017 Qiao A47C 7/68
D6/406.3
D807,973 S * 1/2018 Leonardo D21/686
D831,373 S * 10/2018 Wilson D6/406.3
D864,318 S * 10/2019 Szonyi D21/686
D874,198 S * 2/2020 Dunahay D6/705
D875,193 S * 2/2020 Sz nyi D21/686
D875,855 S * 2/2020 Sandoval D21/691

OTHER PUBLICATIONS

Product listing for Rogue Echo Pulling Block Set from <https://web.archive.org/web/20170528223535/https://www.roguefitness.com/rogue-echo-pulling-block-set> , dated May 28, 2017.
Photos of Rogue Echo Pulling Block Set from <https://web.archive.org/web/20170528223535/https://www.roguefitness.com/rogue-echo-pulling-block-set>, dated May 28, 2017.
Product listing for Rogue Metal Pulling Blocks from <https://web.archive.org/web/20161029023038/https://www.roguefitness.com/rogue-metal-pulling-blocks>, dated Oct. 29, 2016.
Photos of Rogue Metal Pulling Blocks from <https://web.archive.org/web/20161029023038/https://www.roguefitness.com/rogue-metal-pulling-blocks>, dated Oct. 29, 2016.
Product listing for Rogue Metal Jerk Blocks from <https://web.archive.org/web/20161004212702/https://www.roguefitness.com/metal-jerk-blocks>, dated Oct. 4, 2016.
Photos of Rogue Metal Jerk Blocks from <https://web.archive.org/web/20161004212702/https://www.roguefitness.com/metal-jerk-blocks>, dated Oct. 4, 2016.
Photos of Titan Pulling Block Set, from <https://www.titan.fitness/pltblcks.html>, dated Nov. 20, 2018, product known to be available prior to Mar. 1, 2018, but not prior to May 28, 2017.
Photographs of prototype pulling block displayed in public gym prior to Oct. 1, 2015.

* cited by examiner

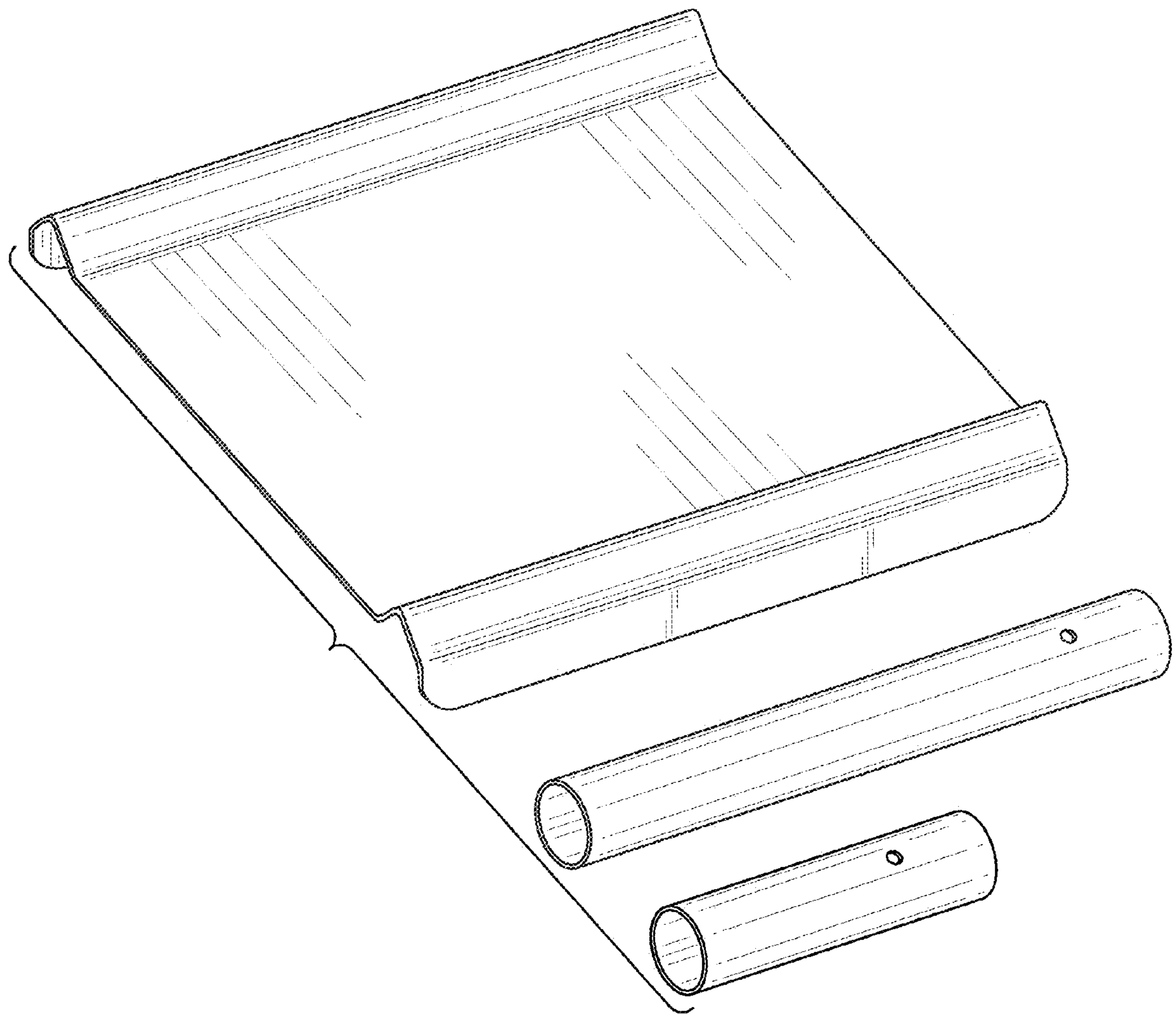


FIG. 1

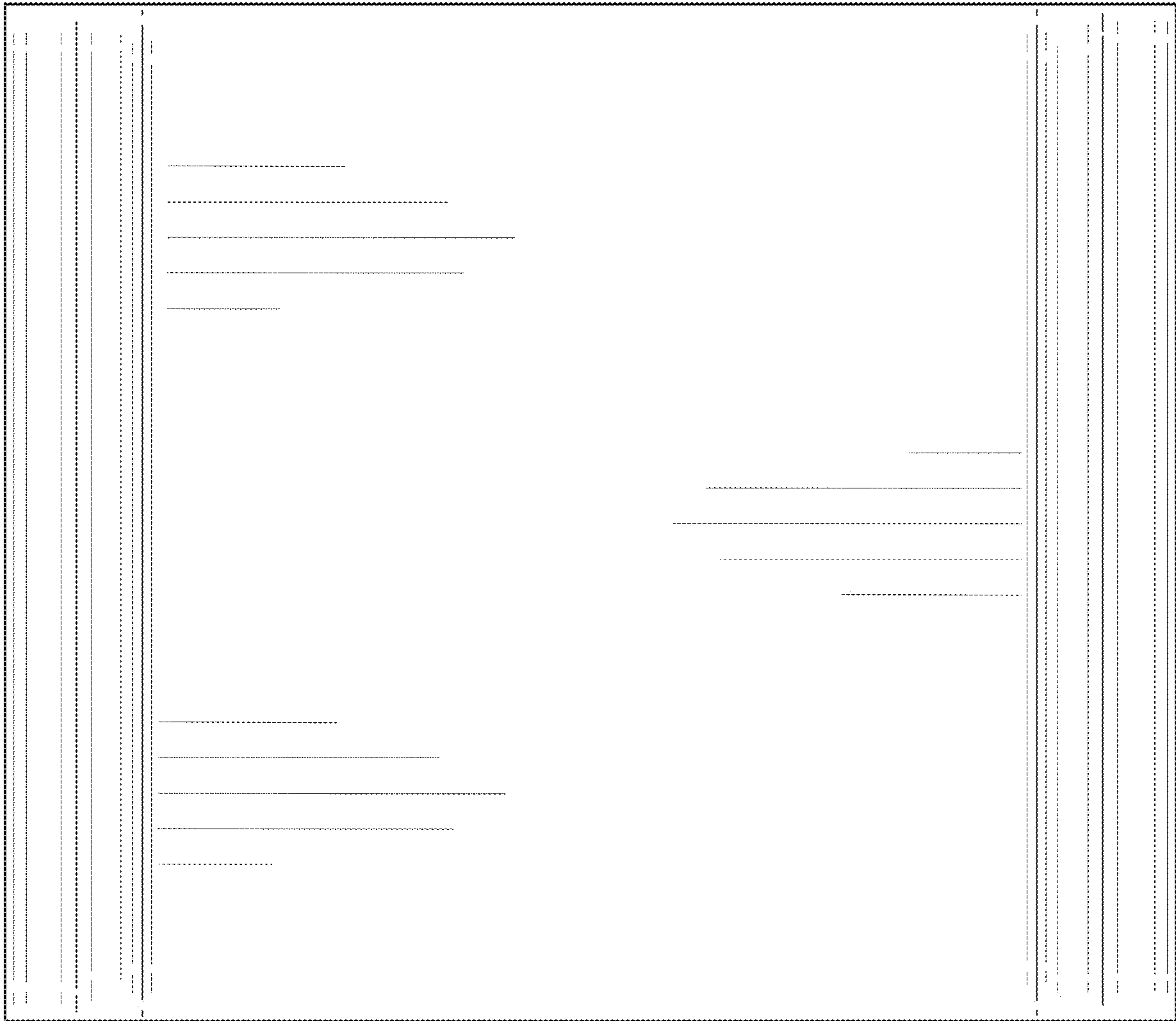


FIG. 2

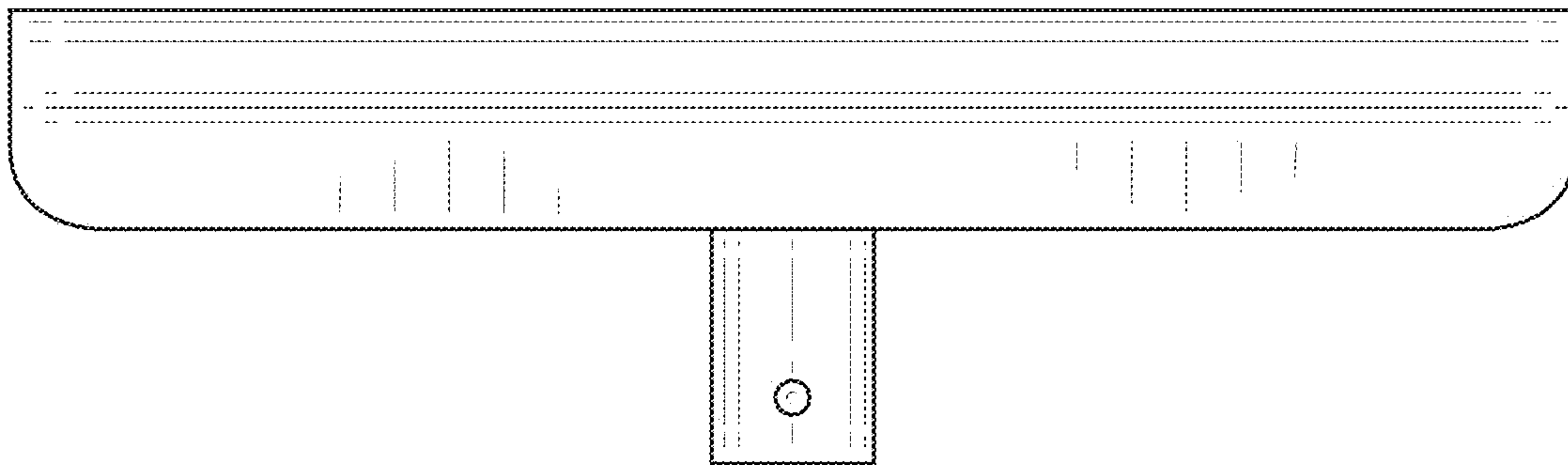


FIG. 3

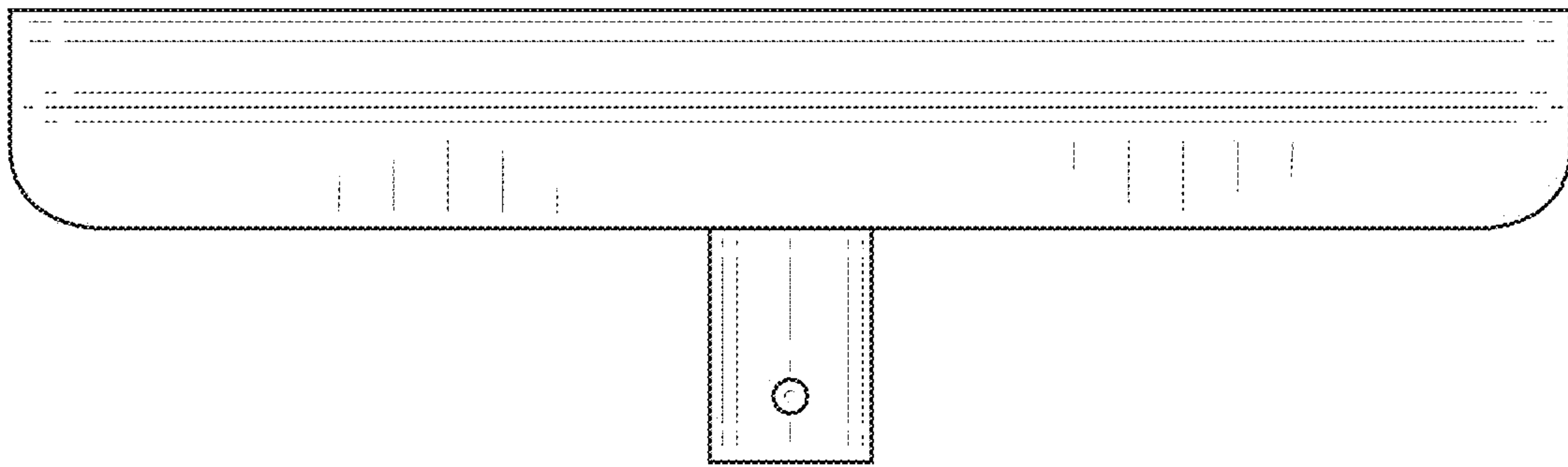


FIG. 4

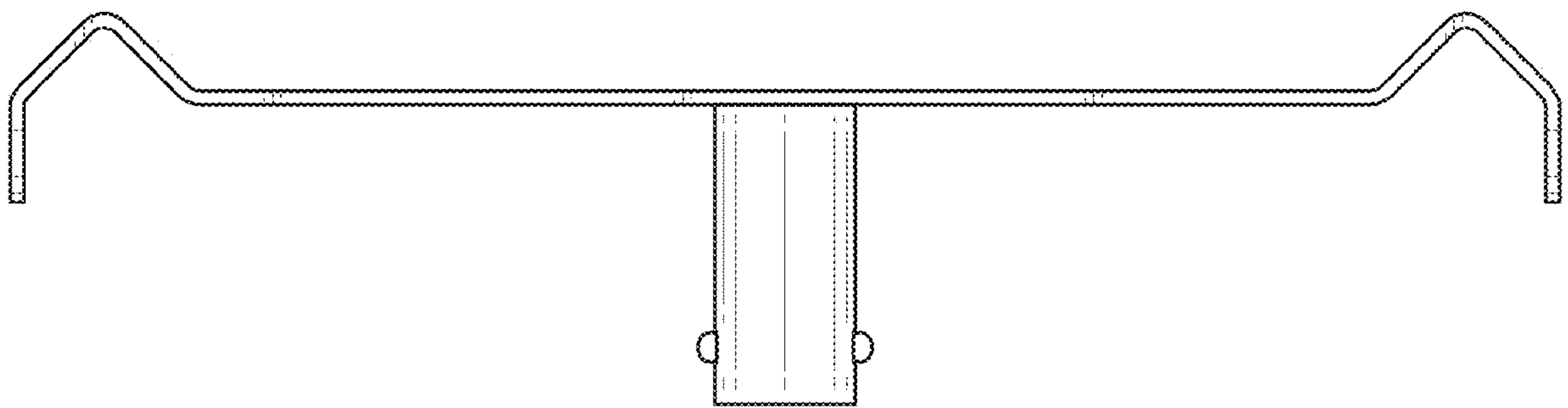


FIG. 5

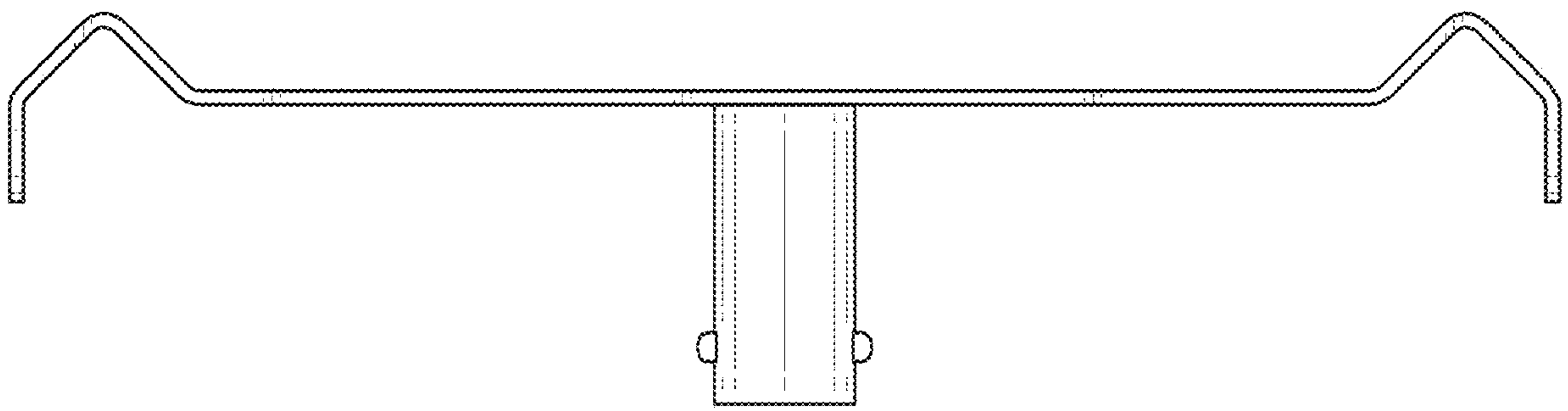


FIG. 6

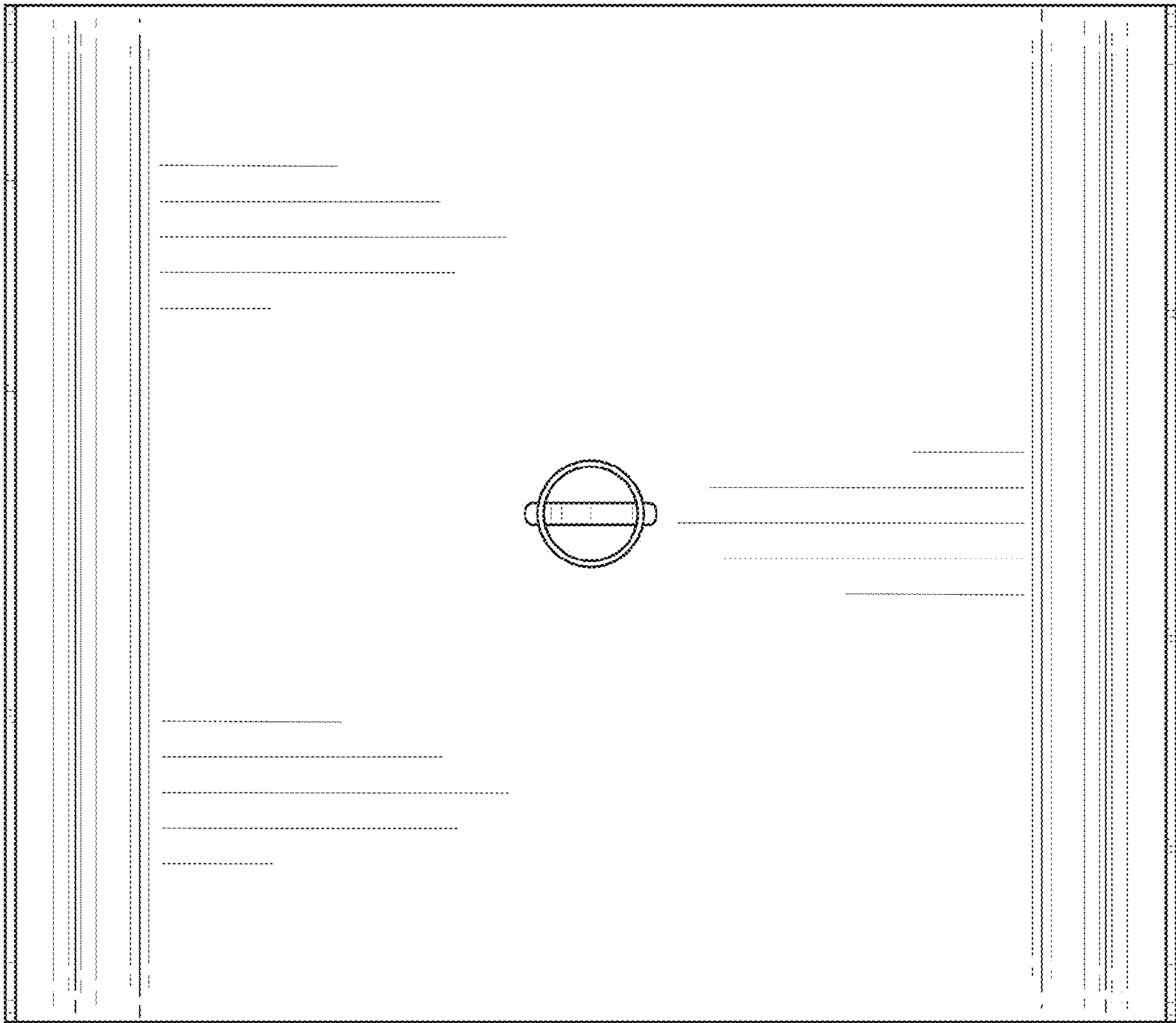


FIG. 7

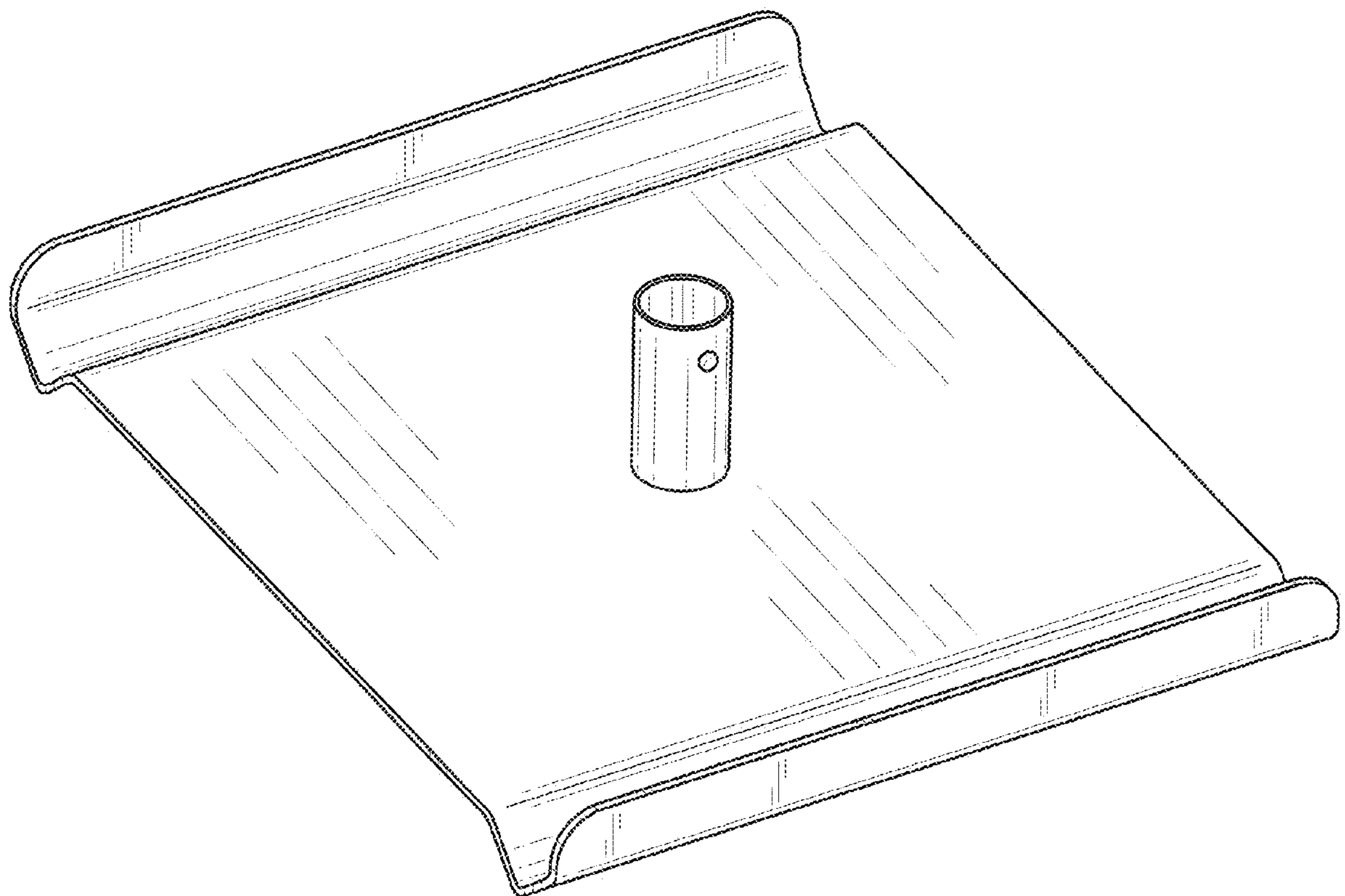


FIG. 8

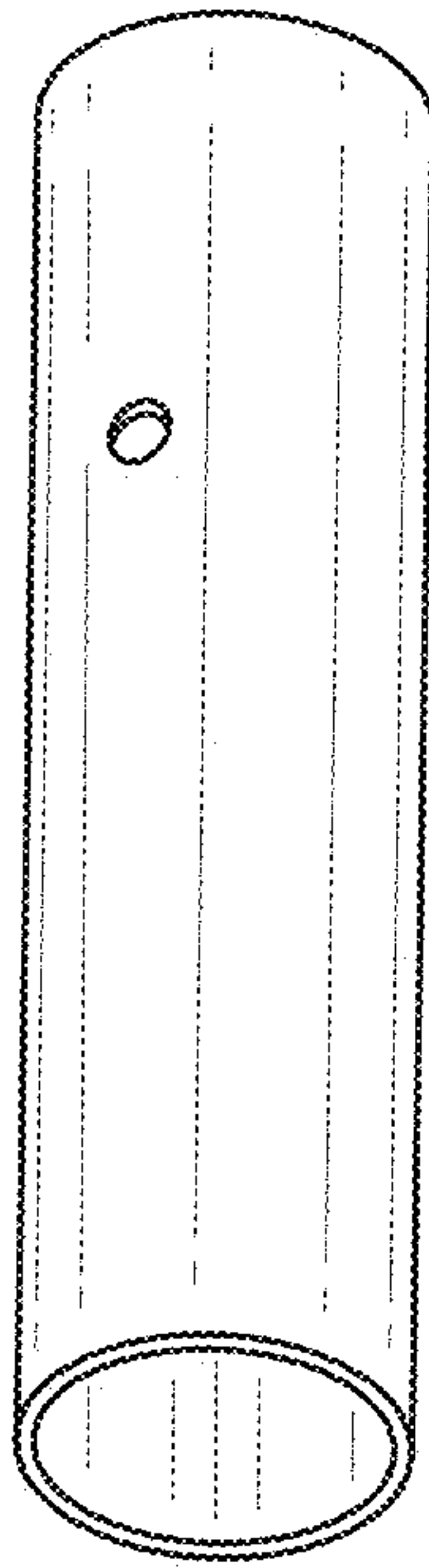


FIG. 9

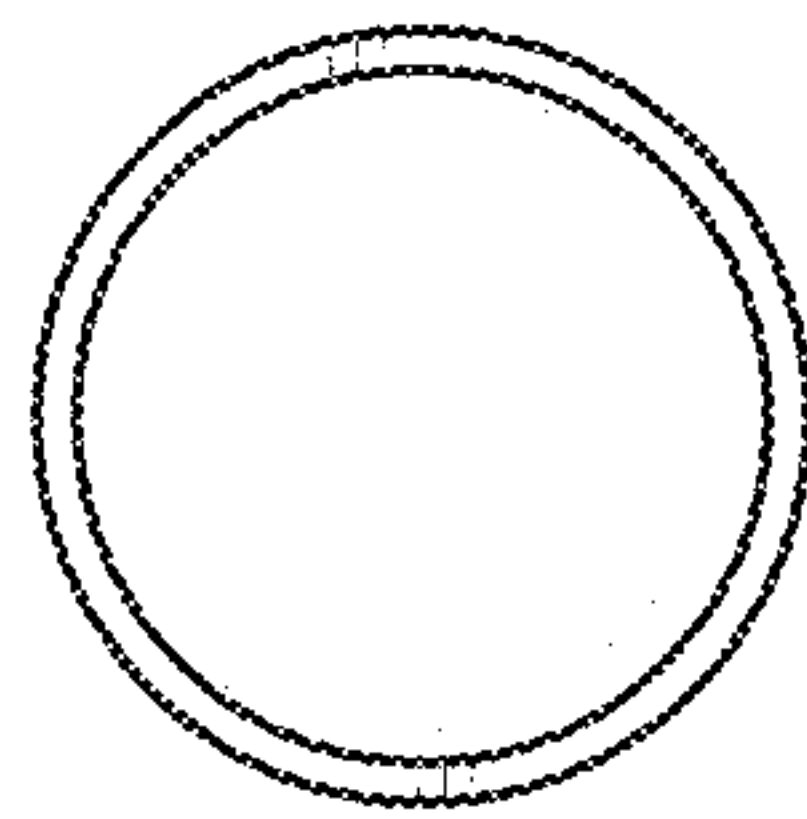


FIG. 10

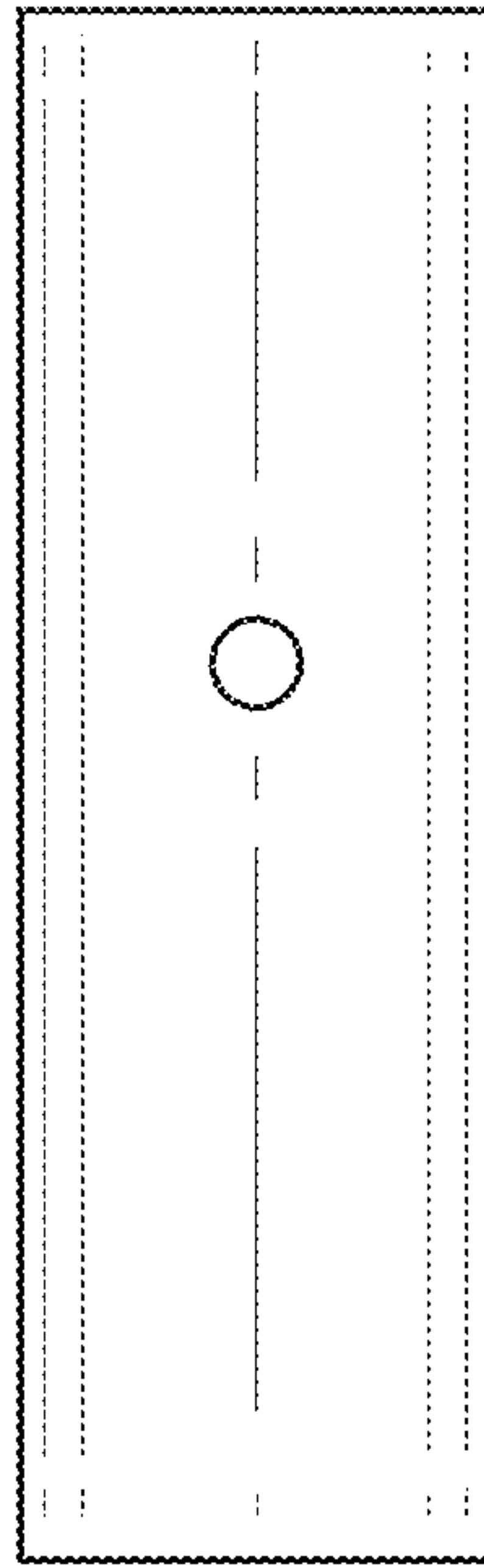


FIG. 11

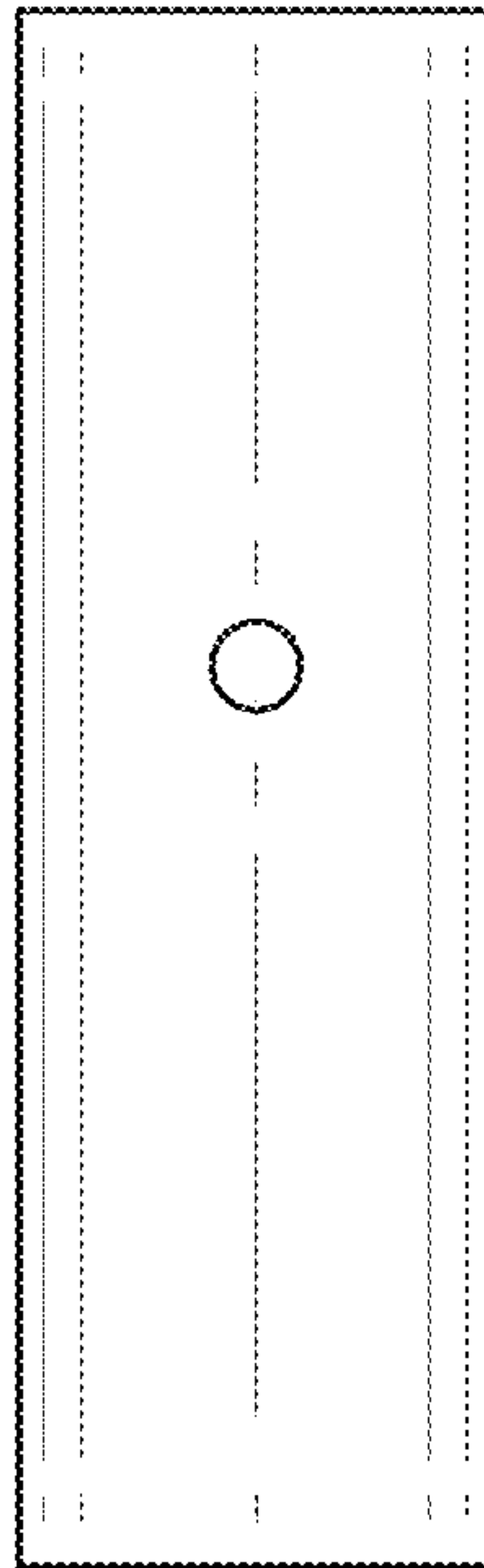


FIG. 12

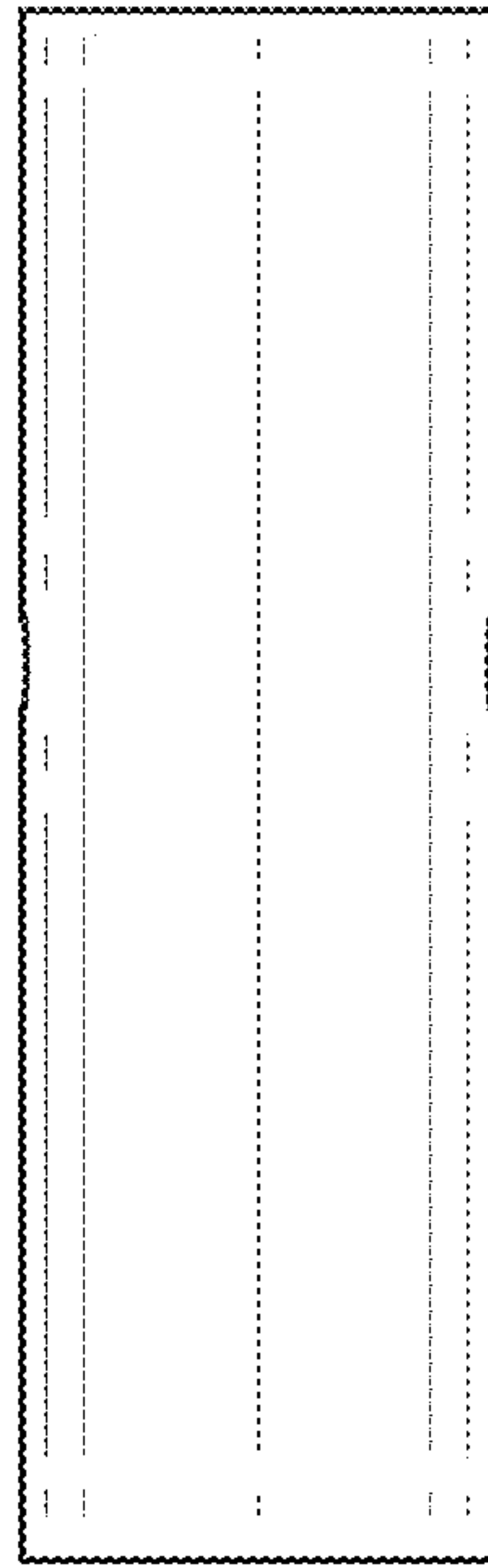


FIG. 13

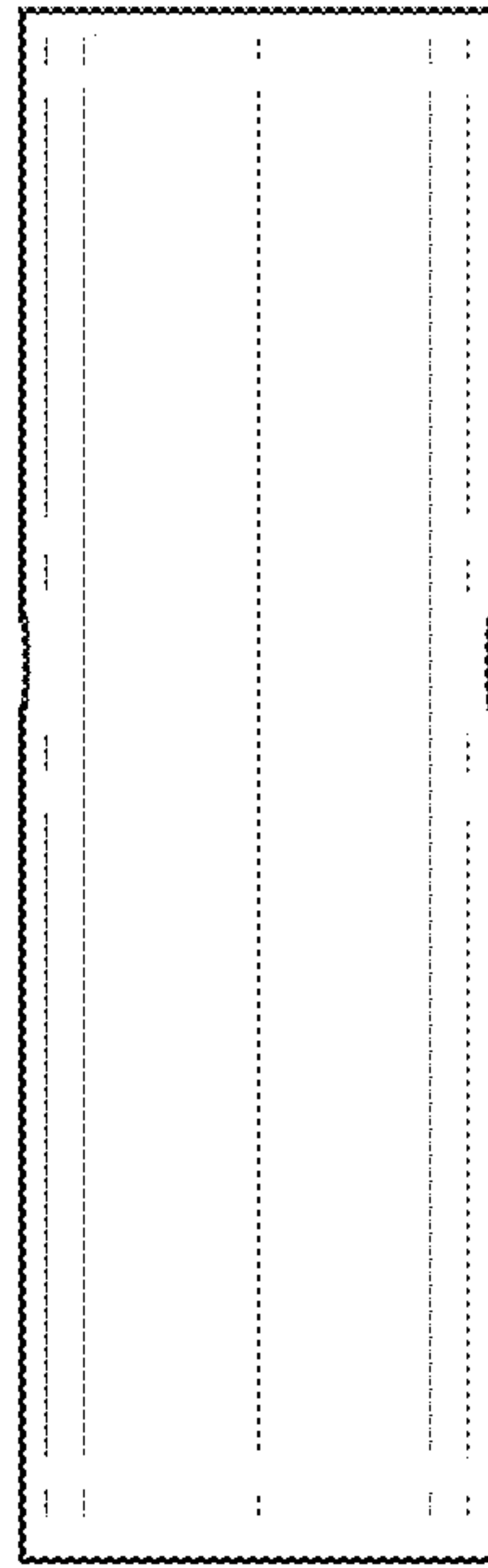


FIG. 14

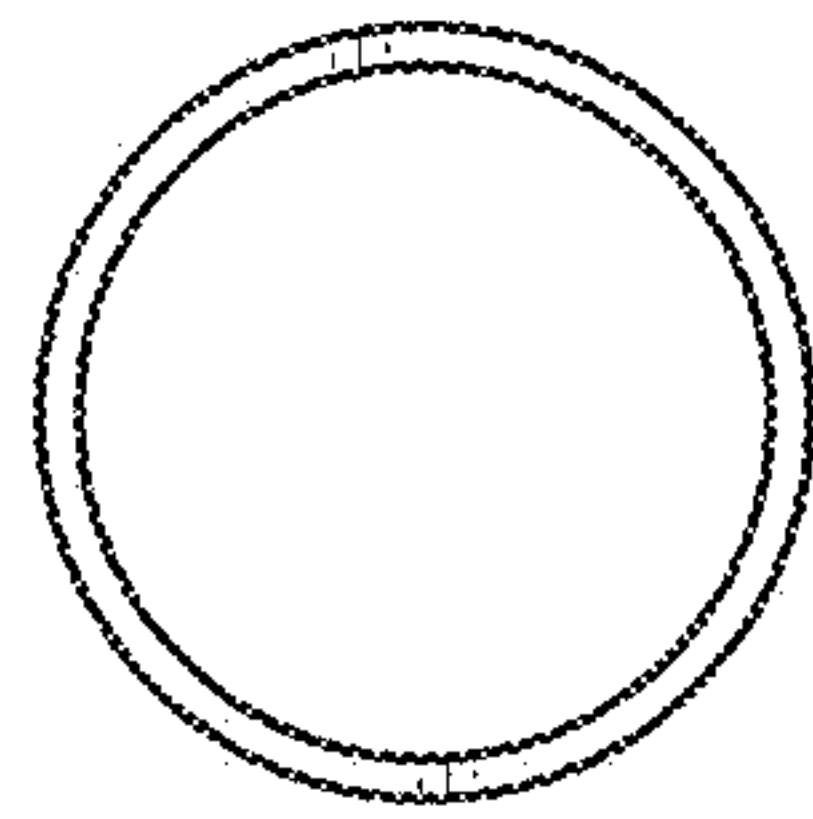


FIG. 15

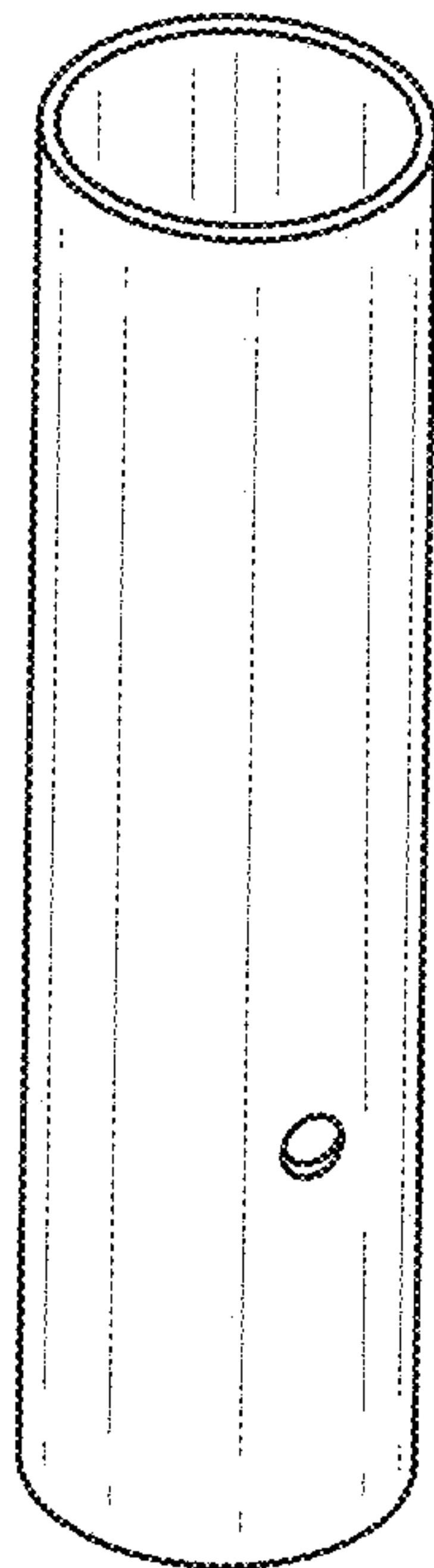


FIG. 16

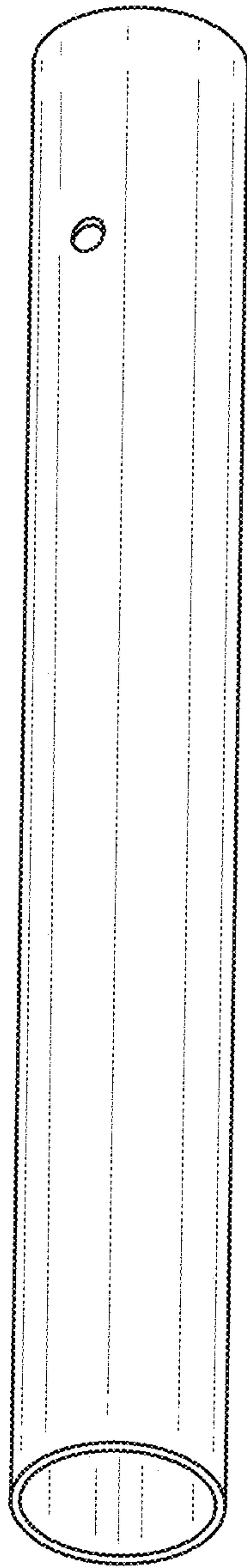


FIG. 17

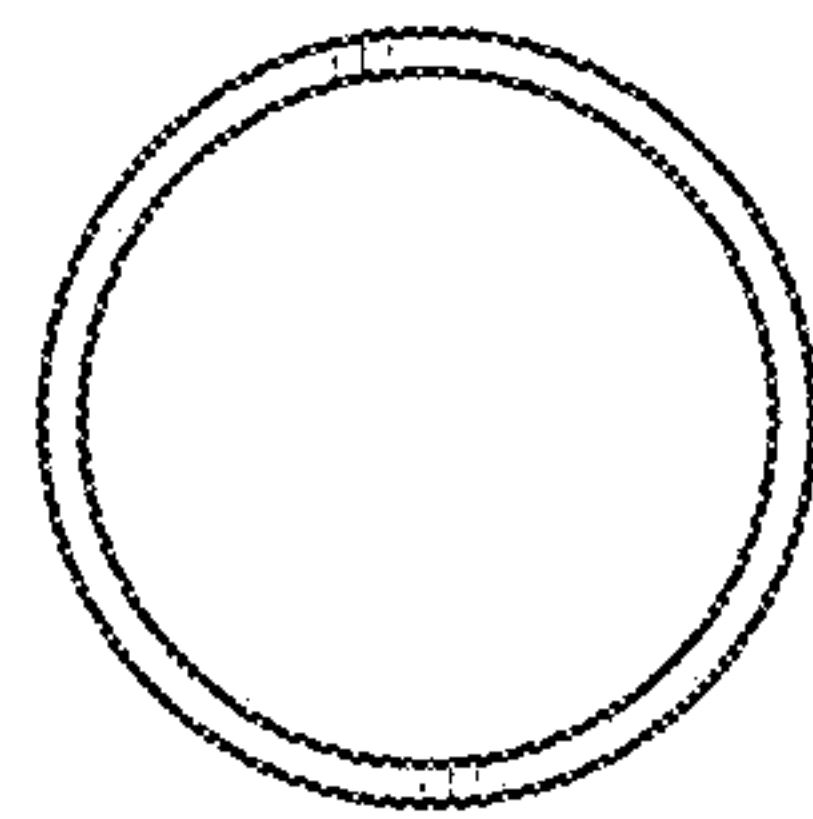


FIG. 18

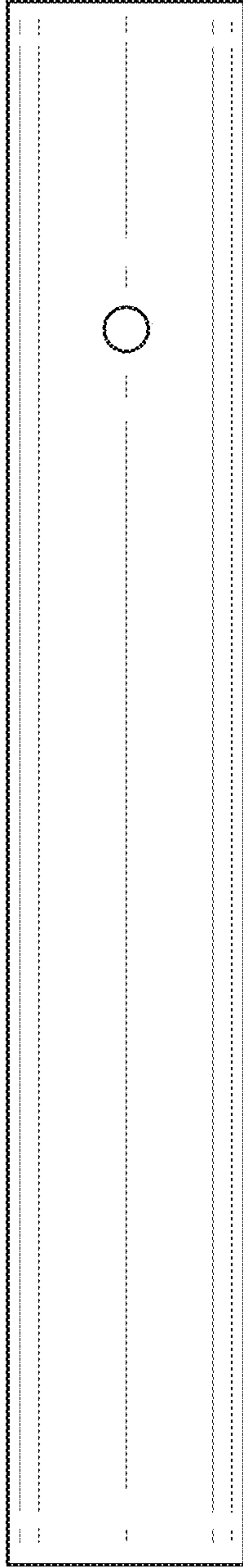


FIG. 19

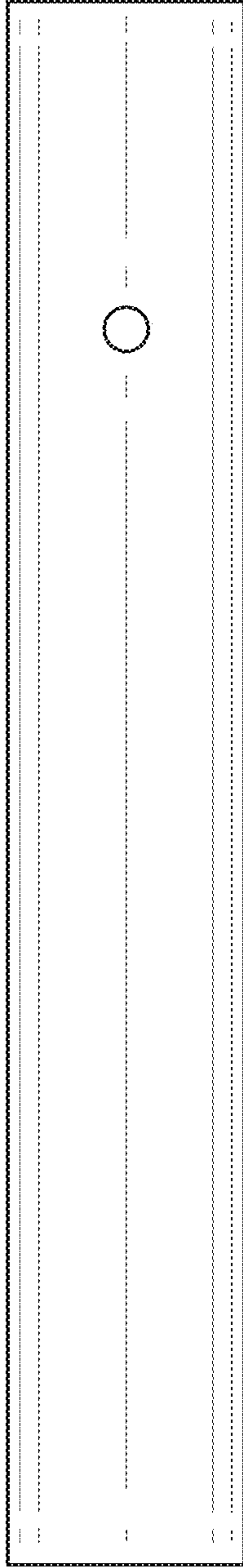


FIG. 20

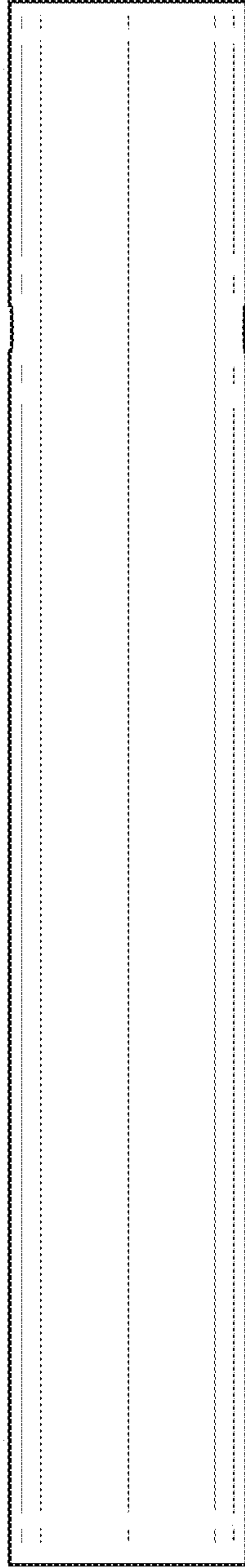


FIG. 21

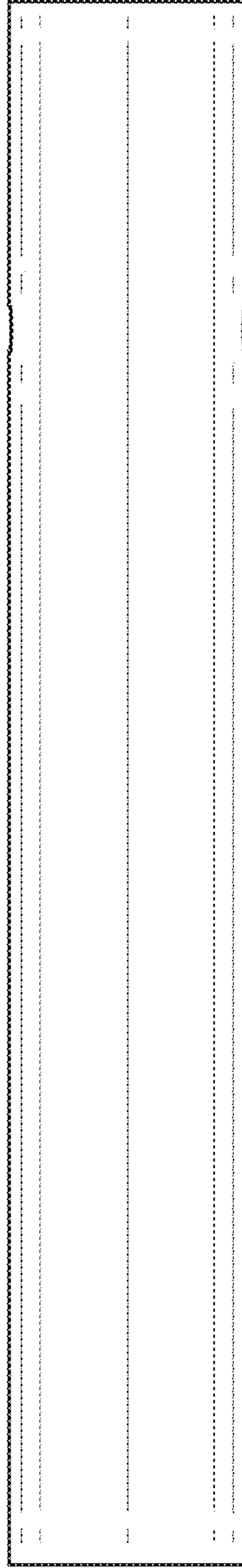


FIG. 22

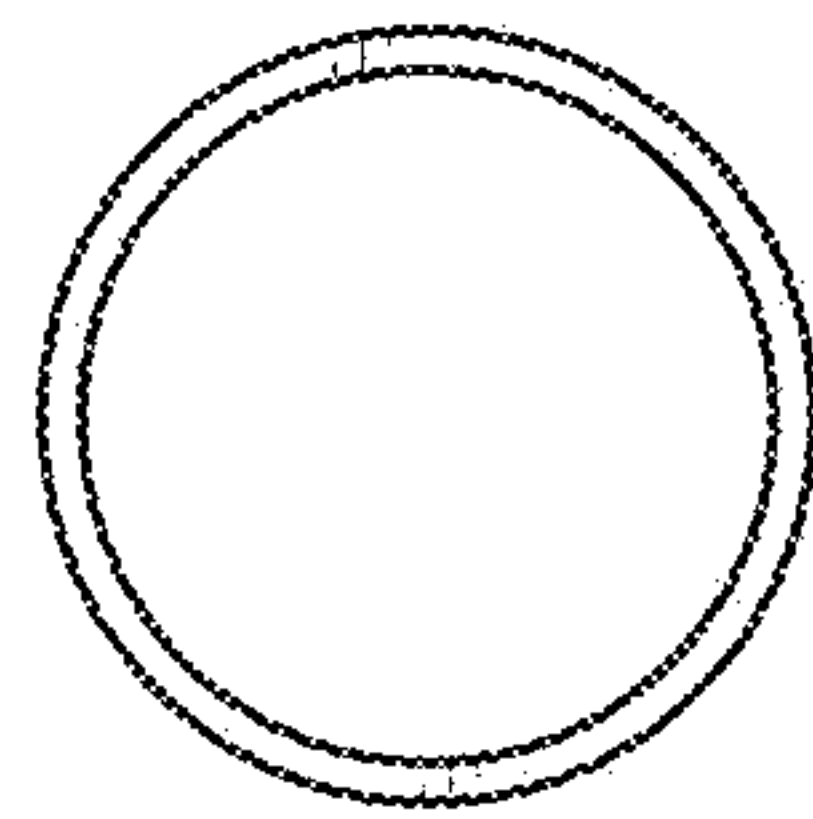


FIG. 23

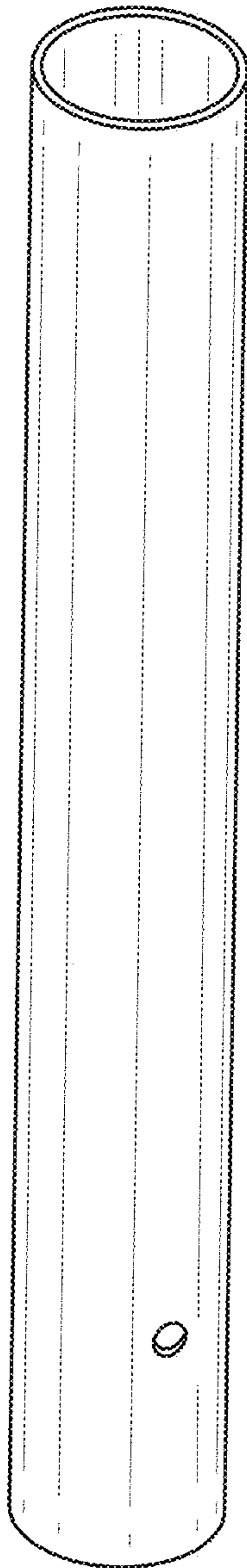


FIG. 24

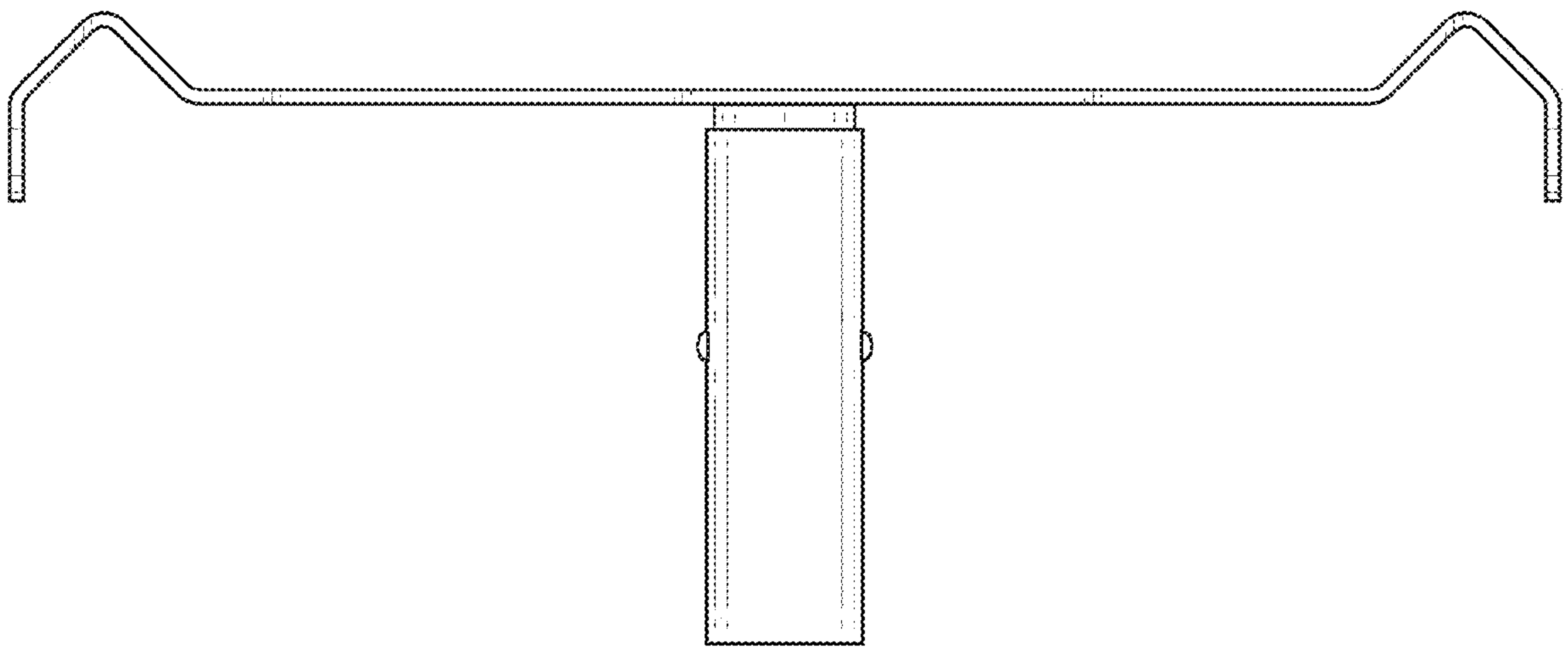


FIG. 25

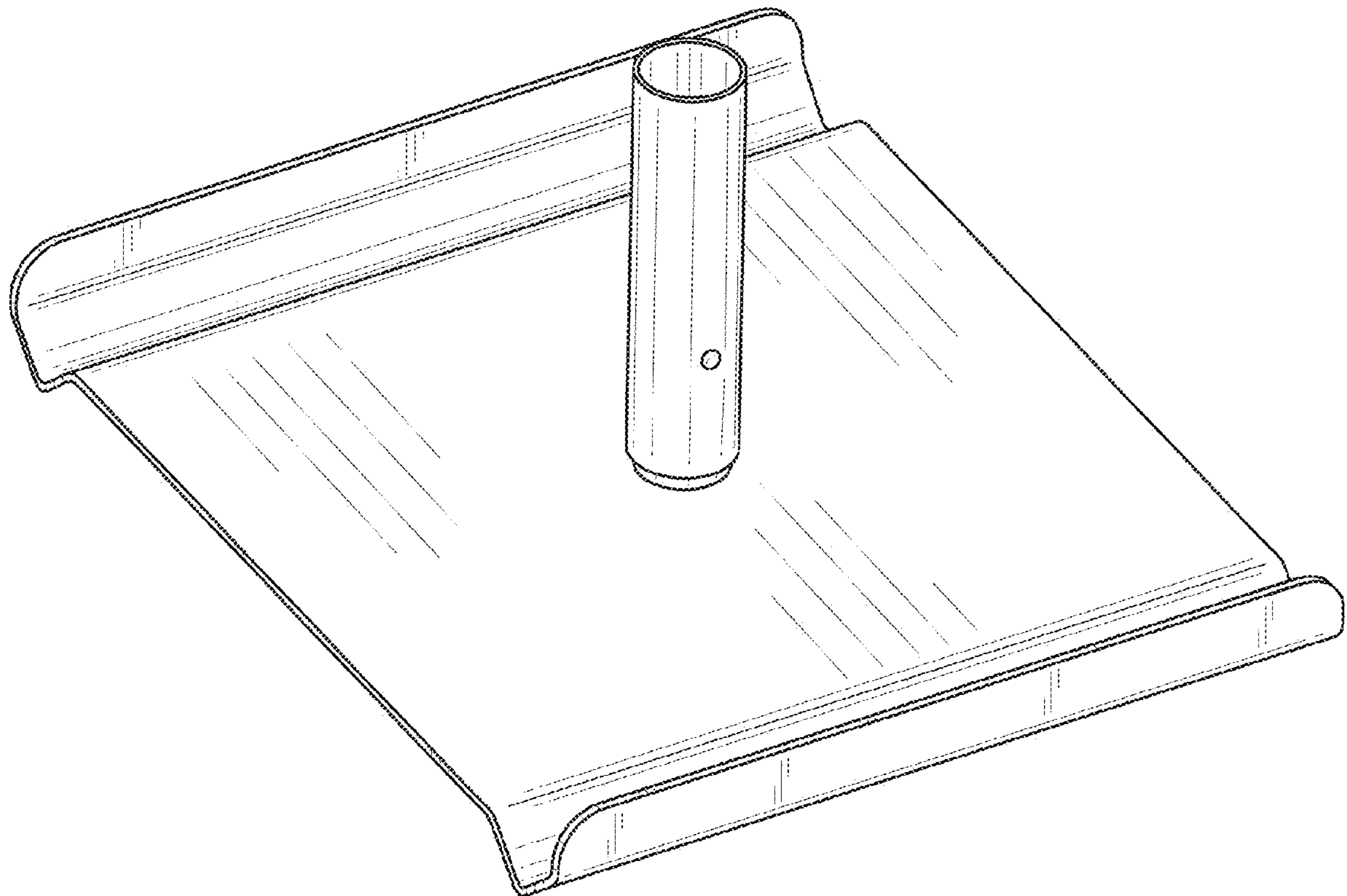


FIG. 26

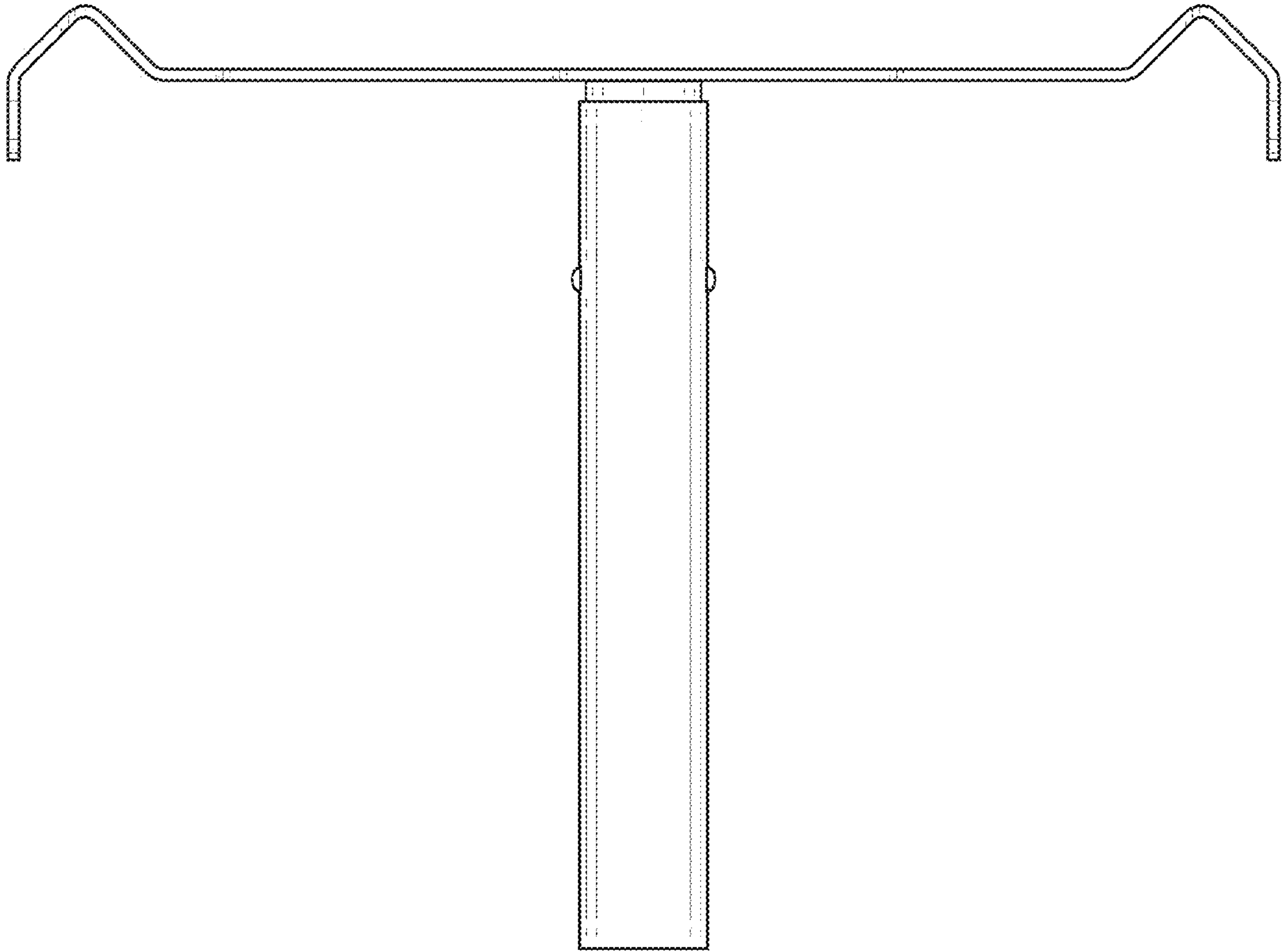


FIG. 27

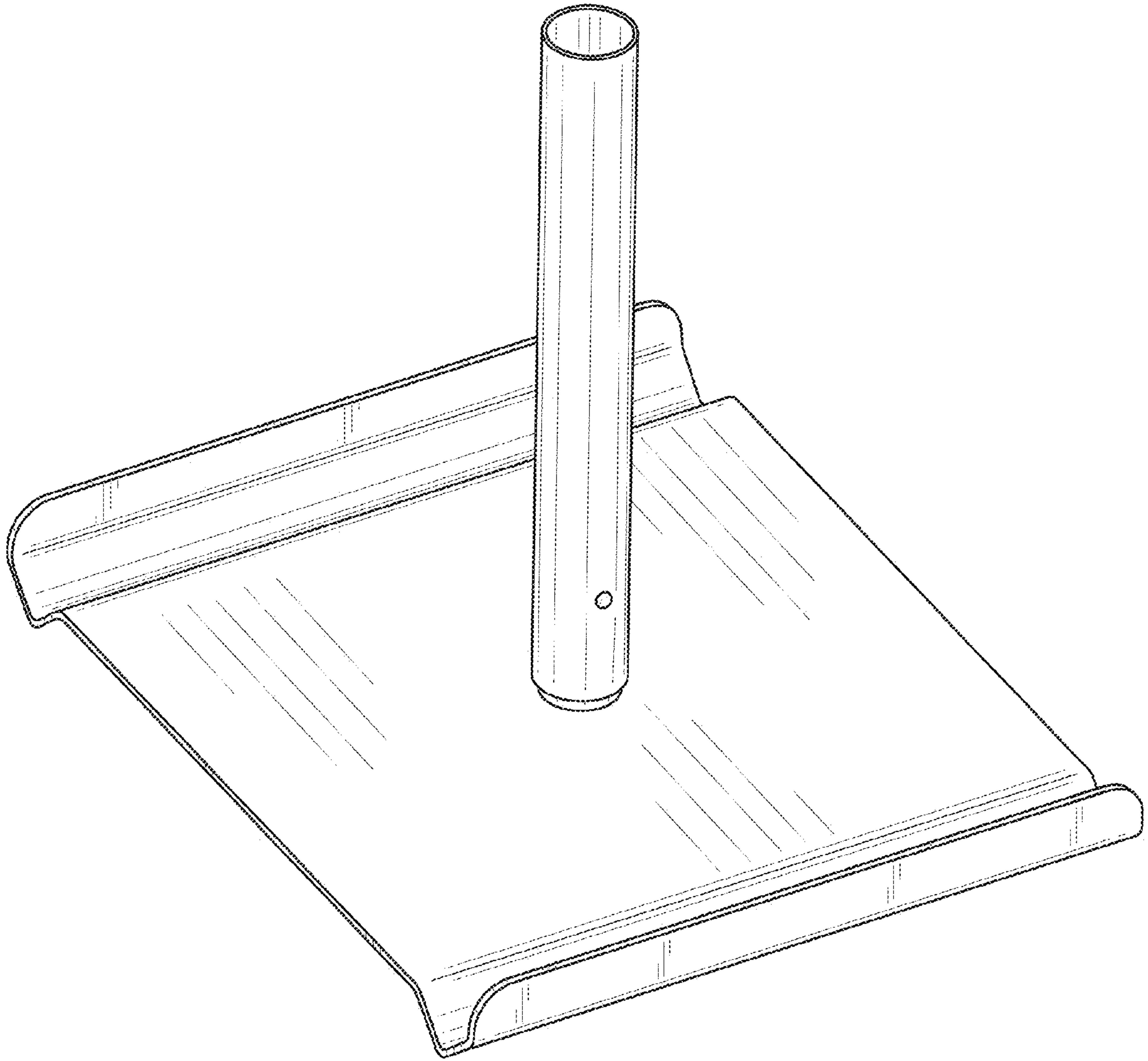


FIG. 28