



US00D916212S

(12) **United States Design Patent**
Sun

(10) **Patent No.:** **US D916,212 S**
(45) **Date of Patent:** **** Apr. 13, 2021**

(54) **EXERCISE BIKE**

FOREIGN PATENT DOCUMENTS

(71) Applicant: **Ben Sun**, Yongkang (CN)

JP D1668777 * 10/2019

* cited by examiner

(72) Inventor: **Ben Sun**, Yongkang (CN)

Primary Examiner — Khawaja Anwar

Assistant Examiner — Julice Seung Eun Oum

(**) Term: **15 Years**

(74) *Attorney, Agent, or Firm* — ScienBiziP, P.C.

(21) Appl. No.: **29/709,842**

(57) **CLAIM**

The ornamental design for an exercise bike, as shown and described.

(22) Filed: **Oct. 17, 2019**

(51) **LOC (13) Cl.** **21-02**

DESCRIPTION

(52) **U.S. Cl.**

USPC **D21/663**

(58) **Field of Classification Search**

USPC D21/419, 432, 435, 667, 666, 668, 690,
D21/676, 691, 662, 675, 686, 694, 663,
D21/697; D6/552; D12/108, 109, 111,
D12/112, 113, 124, 178, 411, 345

See application file for complete search history.

FIG. 1 is a top, front, right side perspective view of an exercise bike, showing my design.

FIG. 2 is a bottom, rear, left side perspective view thereof.

FIG. 3 is a front elevation view thereof.

FIG. 4 is a rear elevation view thereof.

FIG. 5 is a left side elevation view thereof.

FIG. 6 is a right side elevation view thereof.

FIG. 7 is a top plan view thereof.

FIG. 8 is a bottom plan view thereof.

FIG. 9 is an enlarged view of an area labeled 9 in FIG. 1.

FIG. 10 is an enlarged view of an area labeled 10 in FIG. 1; and,

FIG. 11 is an enlarged view of an area labeled 11 in FIG. 2.

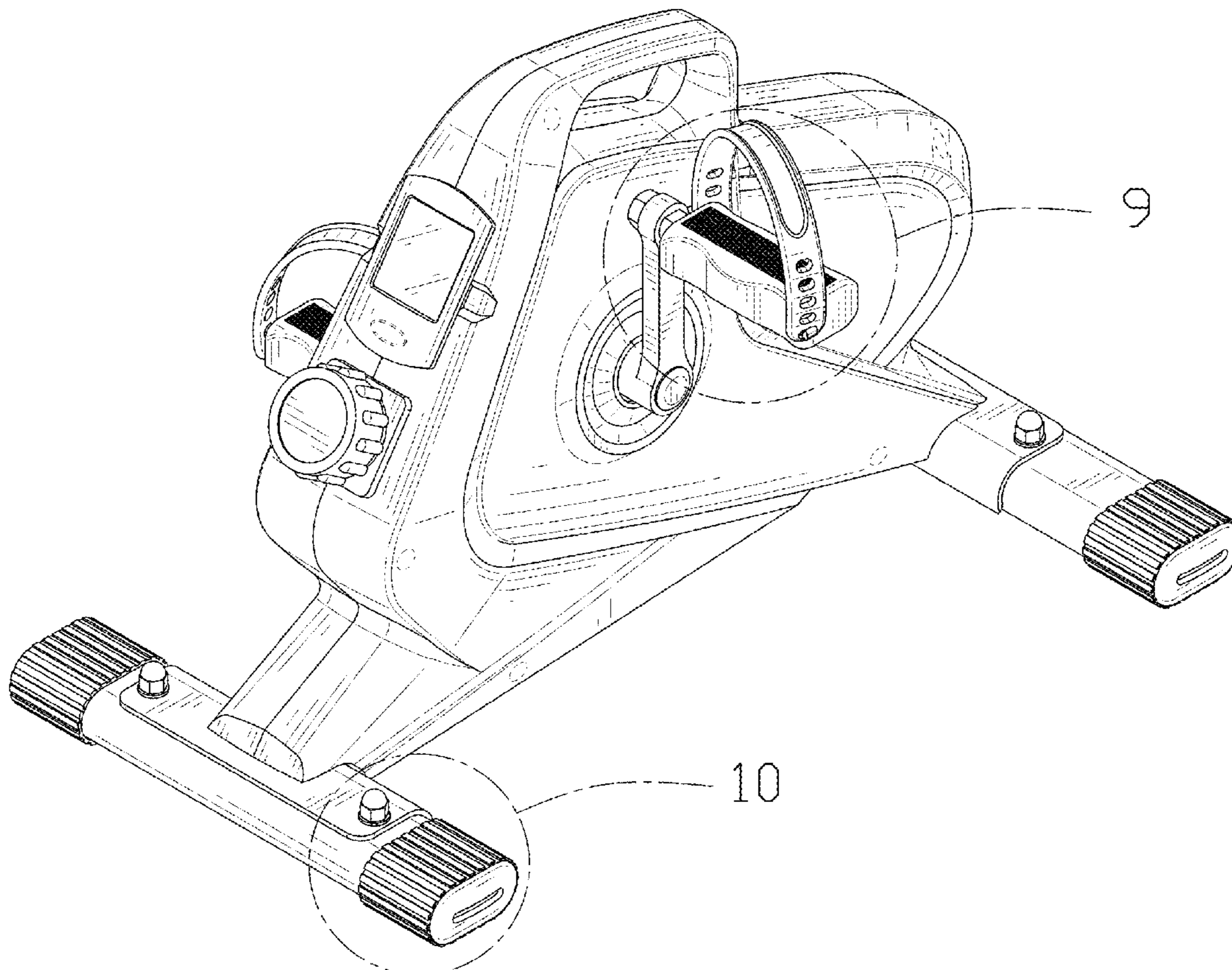
The details shown in broken lines form no part of the claimed design.

(56) **References Cited**

U.S. PATENT DOCUMENTS

| | | | | | |
|------------|---|---------|------|-------|---------|
| D462,099 S | * | 8/2002 | Chen | | D21/663 |
| D482,084 S | * | 11/2003 | Yang | | D21/663 |
| D482,416 S | * | 11/2003 | Yang | | D21/663 |
| D794,142 S | * | 8/2017 | Zhou | | D21/663 |

1 Claim, 11 Drawing Sheets



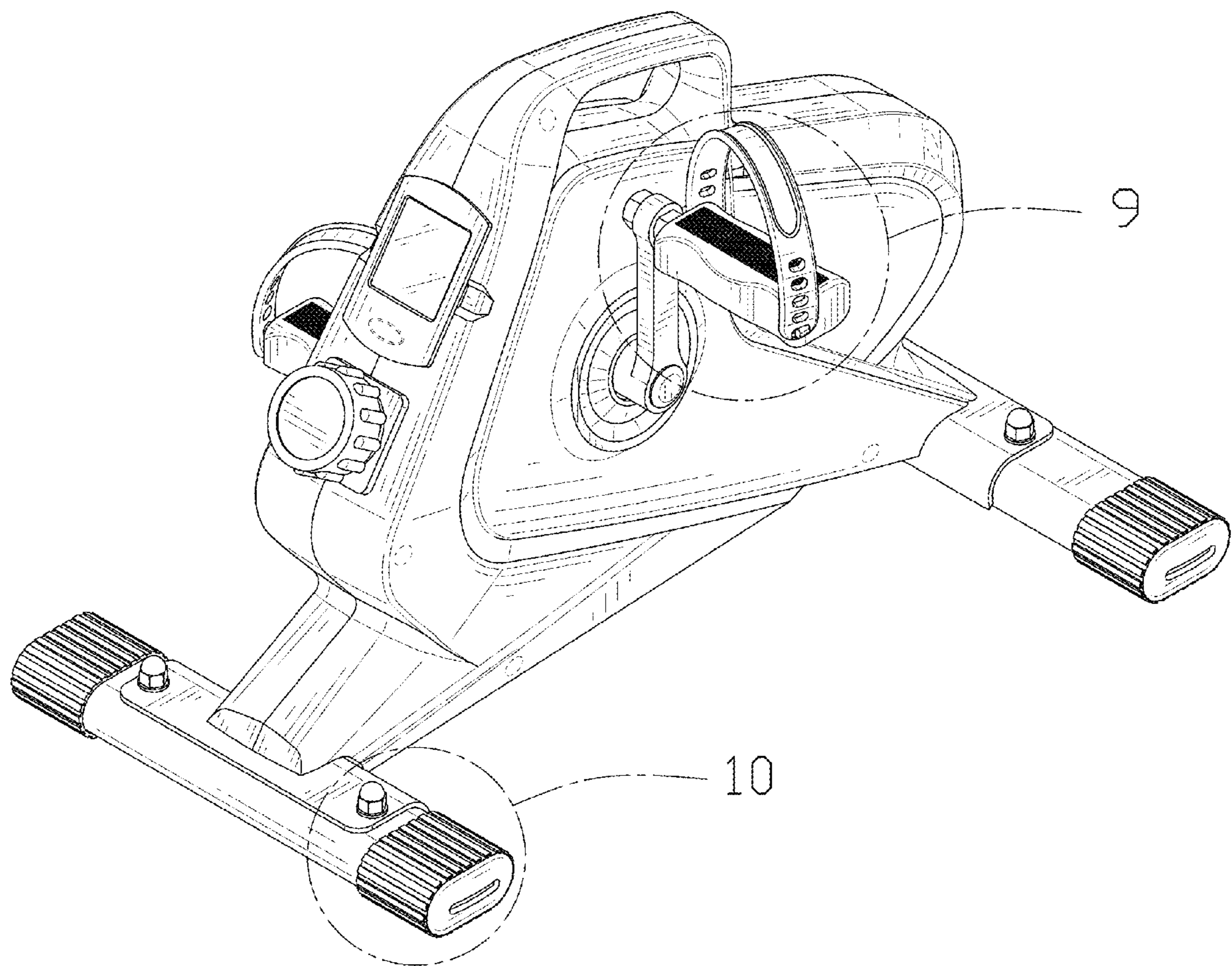


FIG. 1

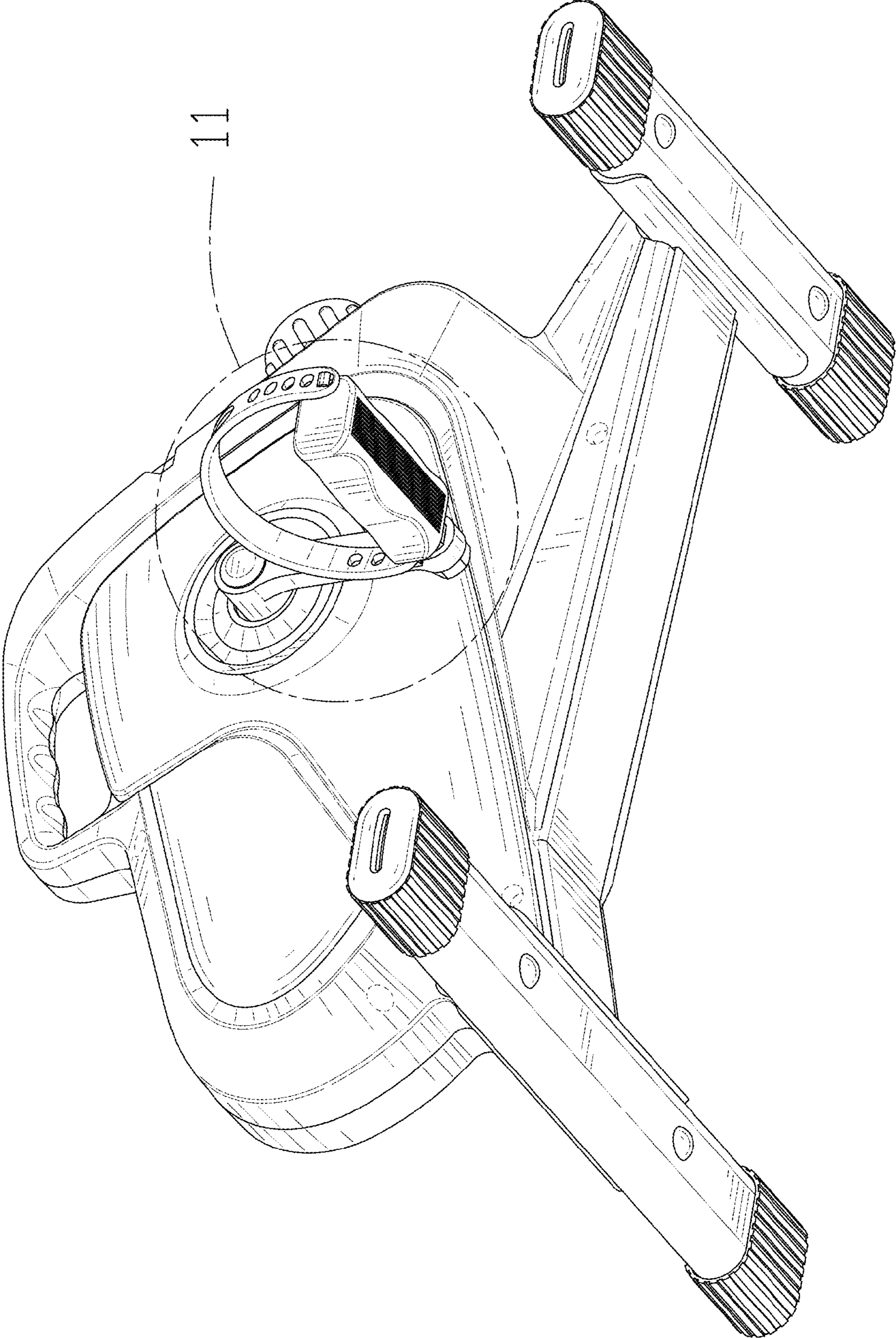


FIG. 2

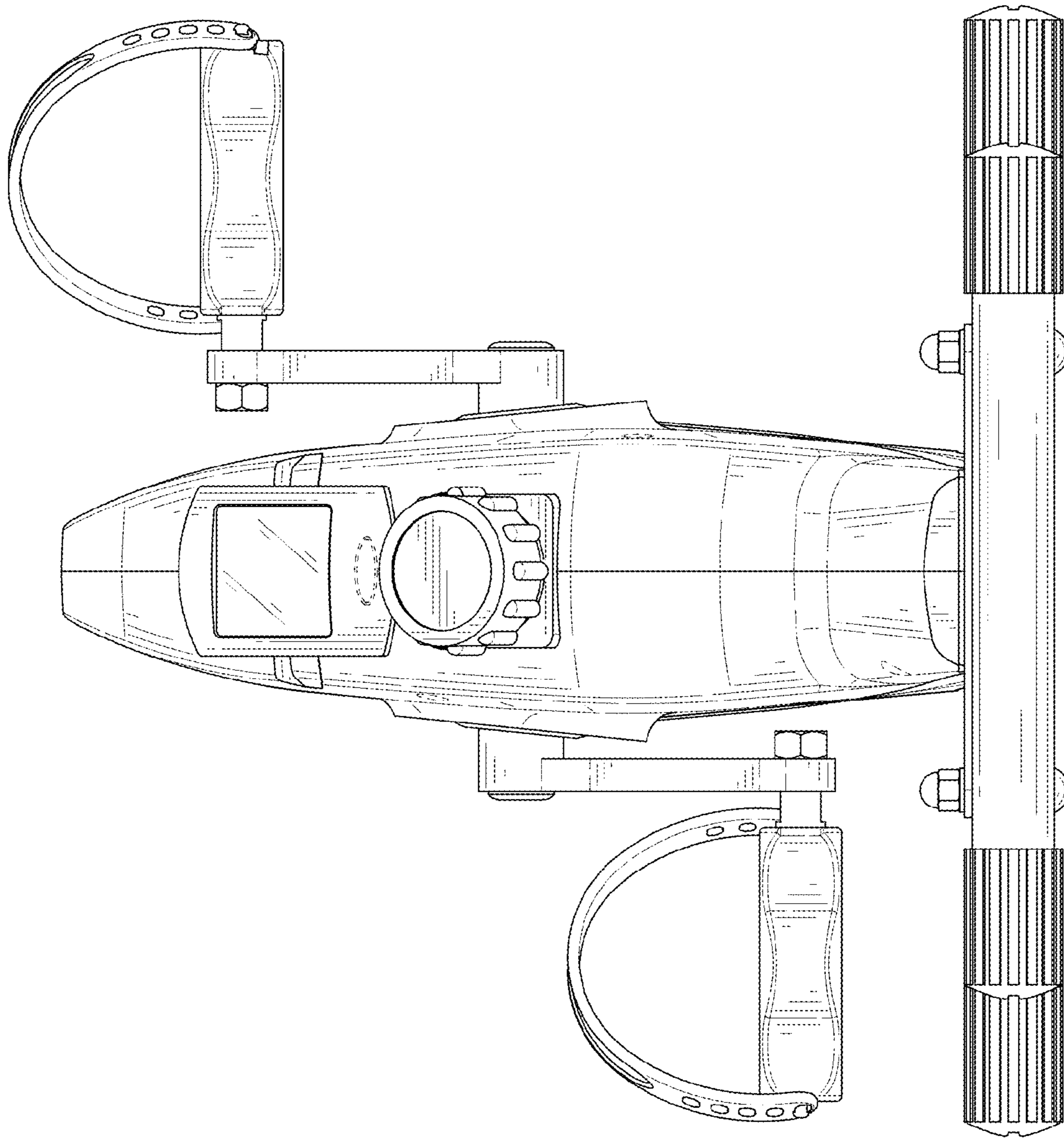


FIG. 3

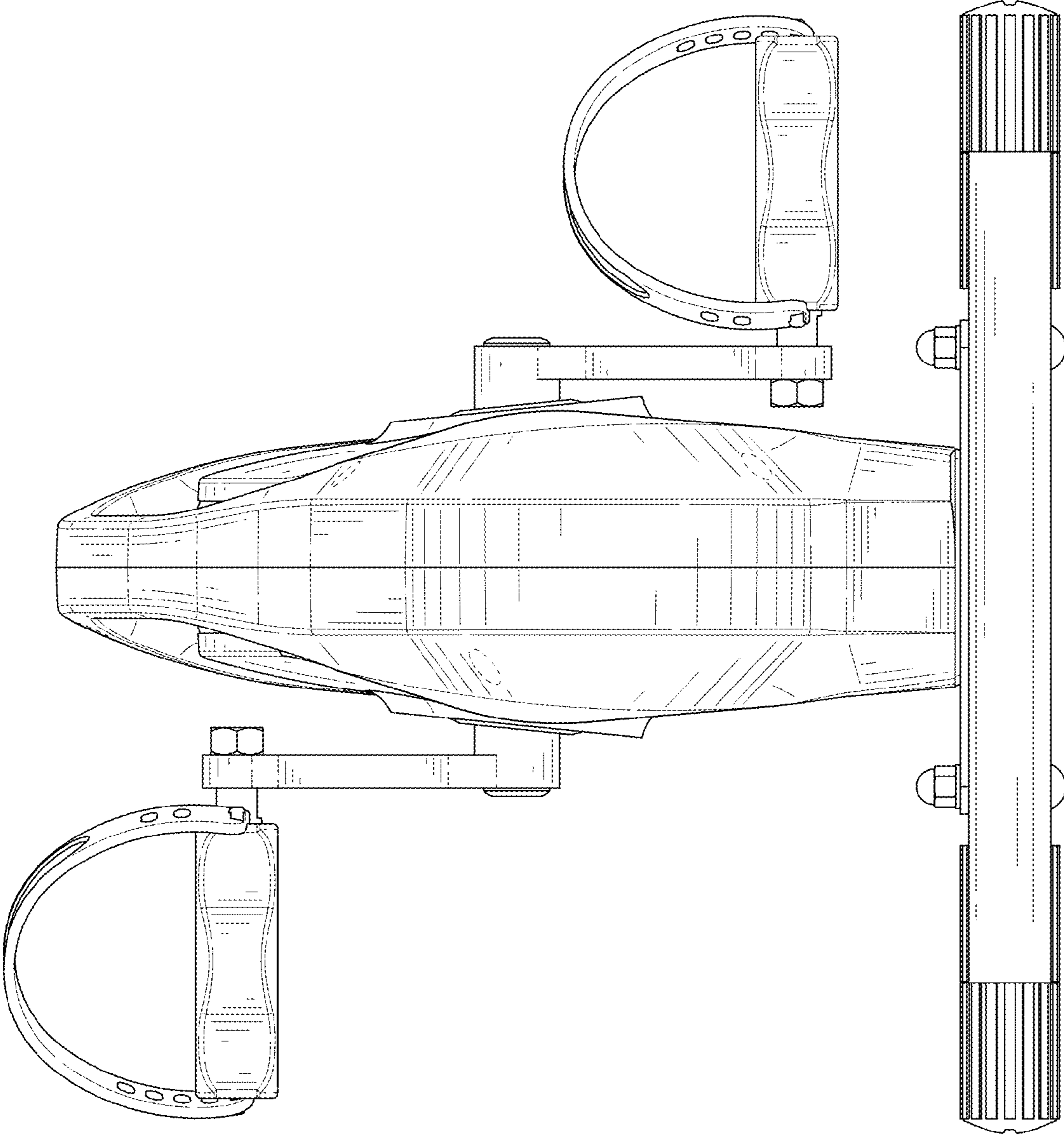


FIG. 4

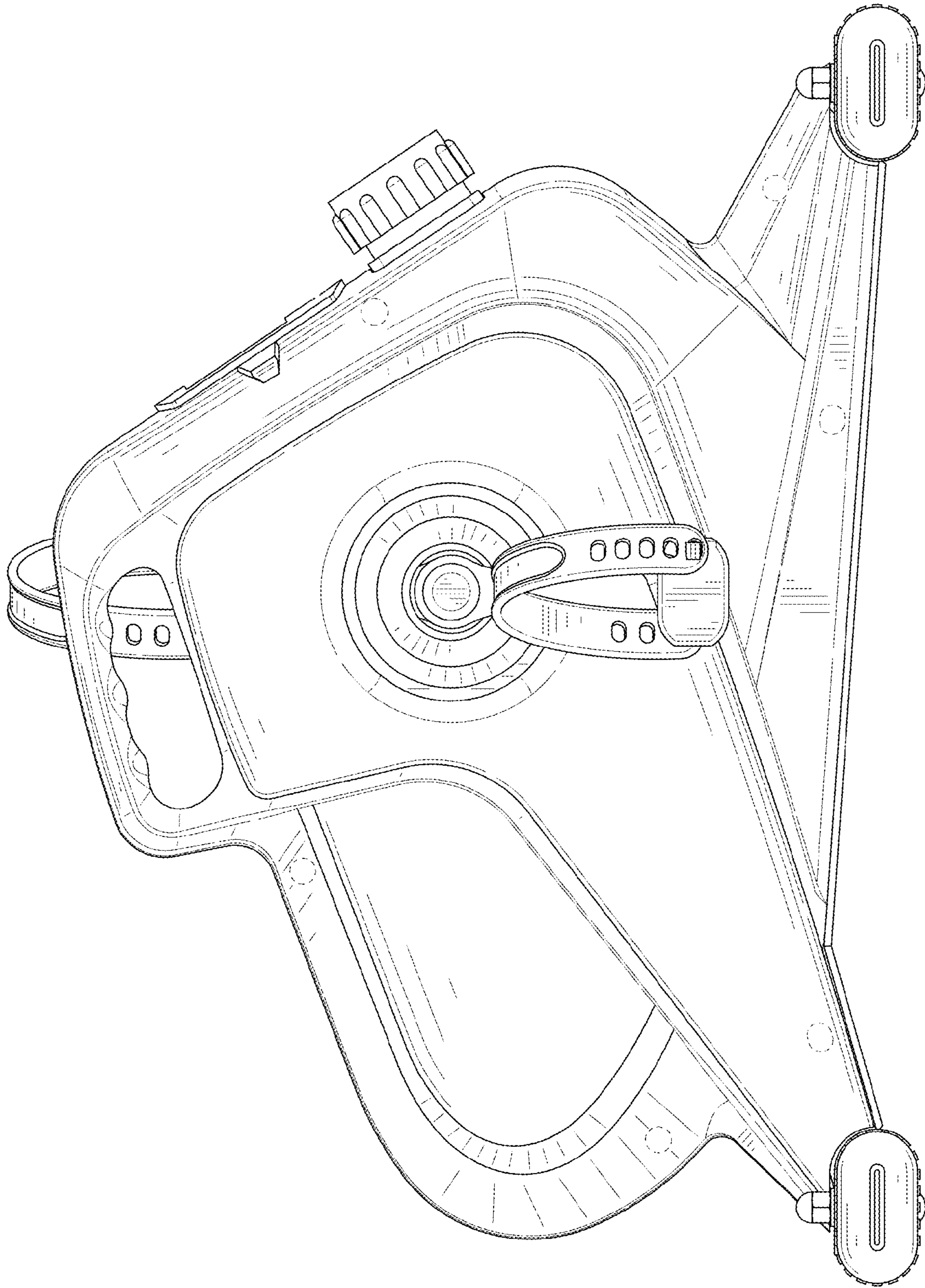


FIG. 5

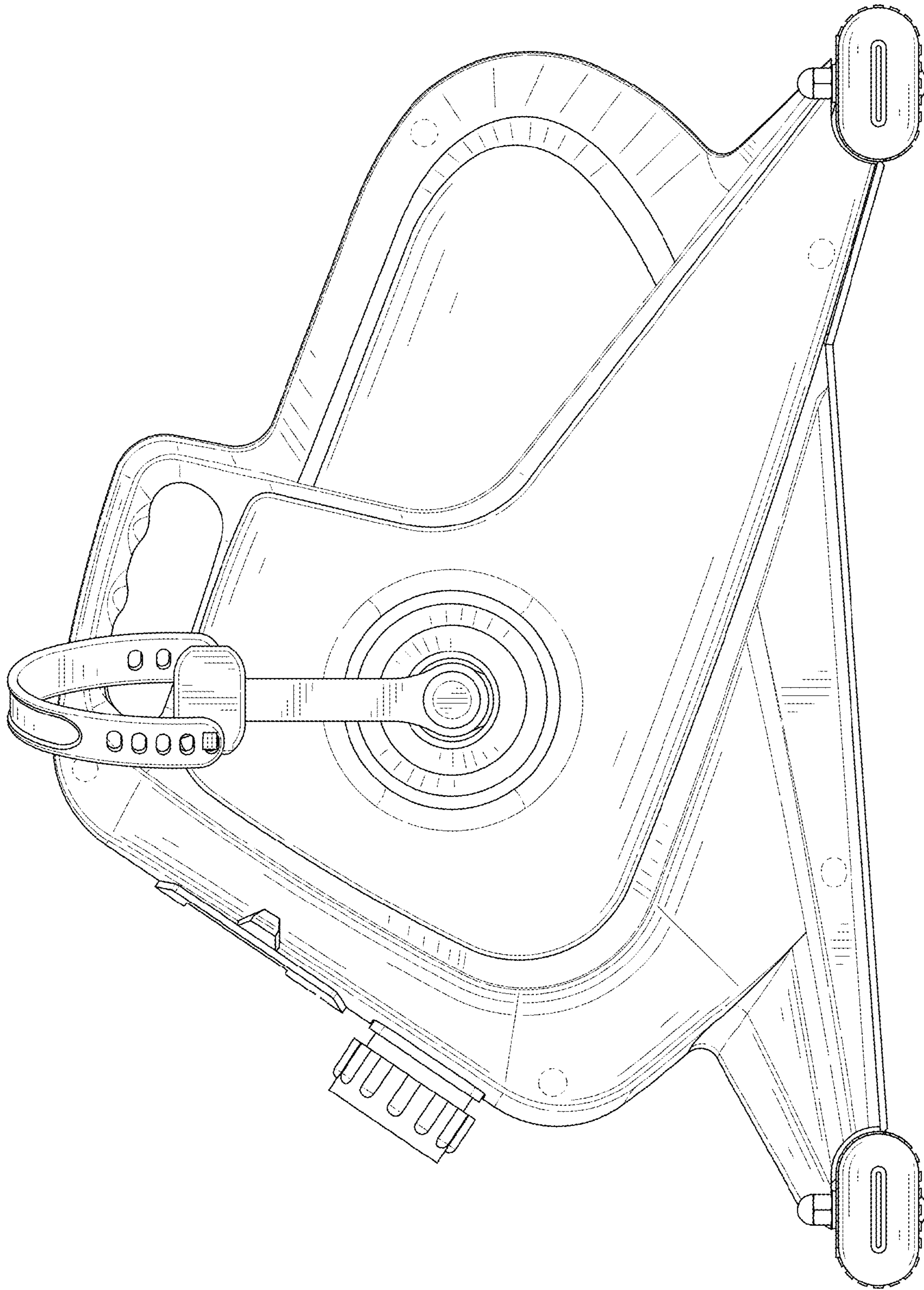


FIG. 6

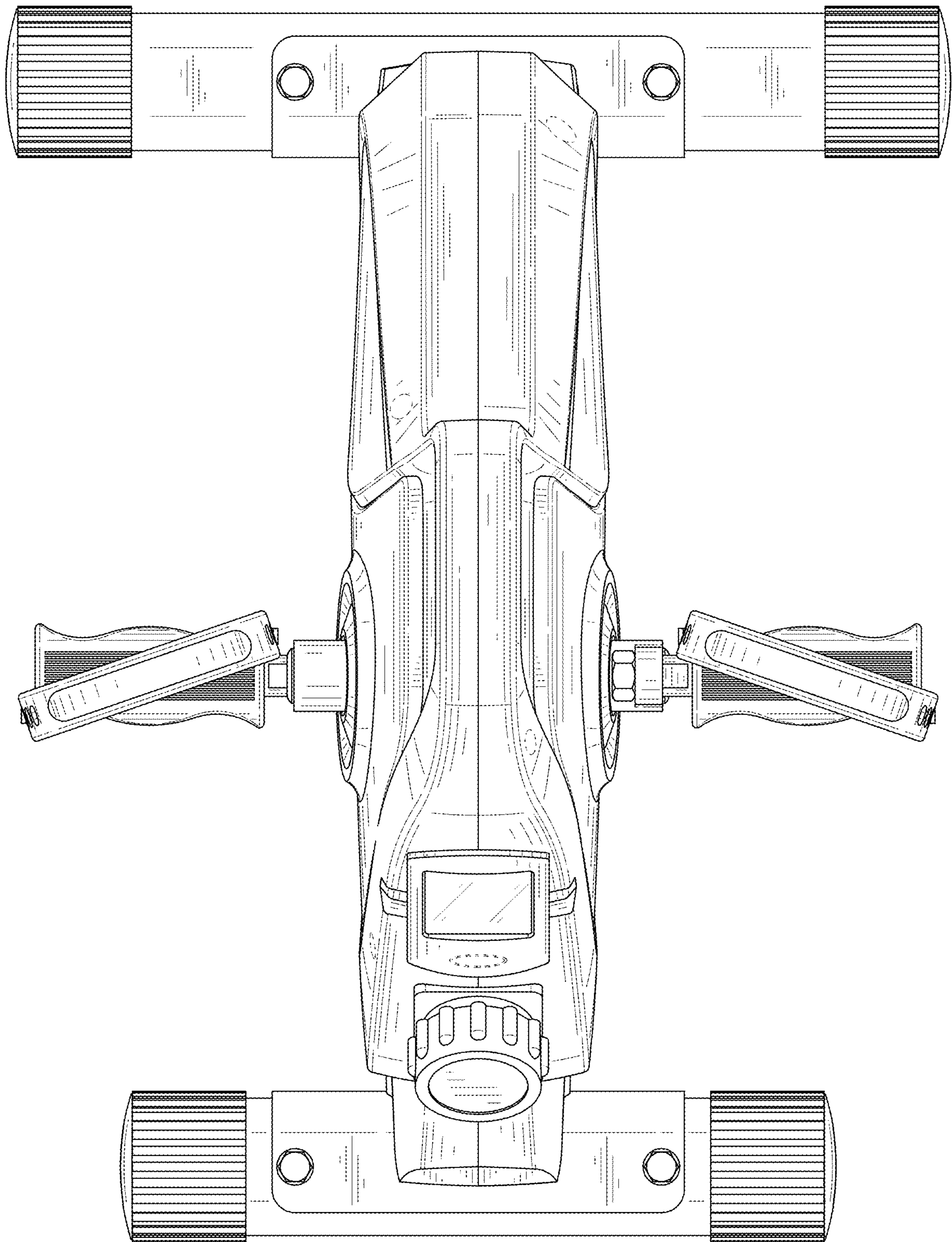


FIG. 7

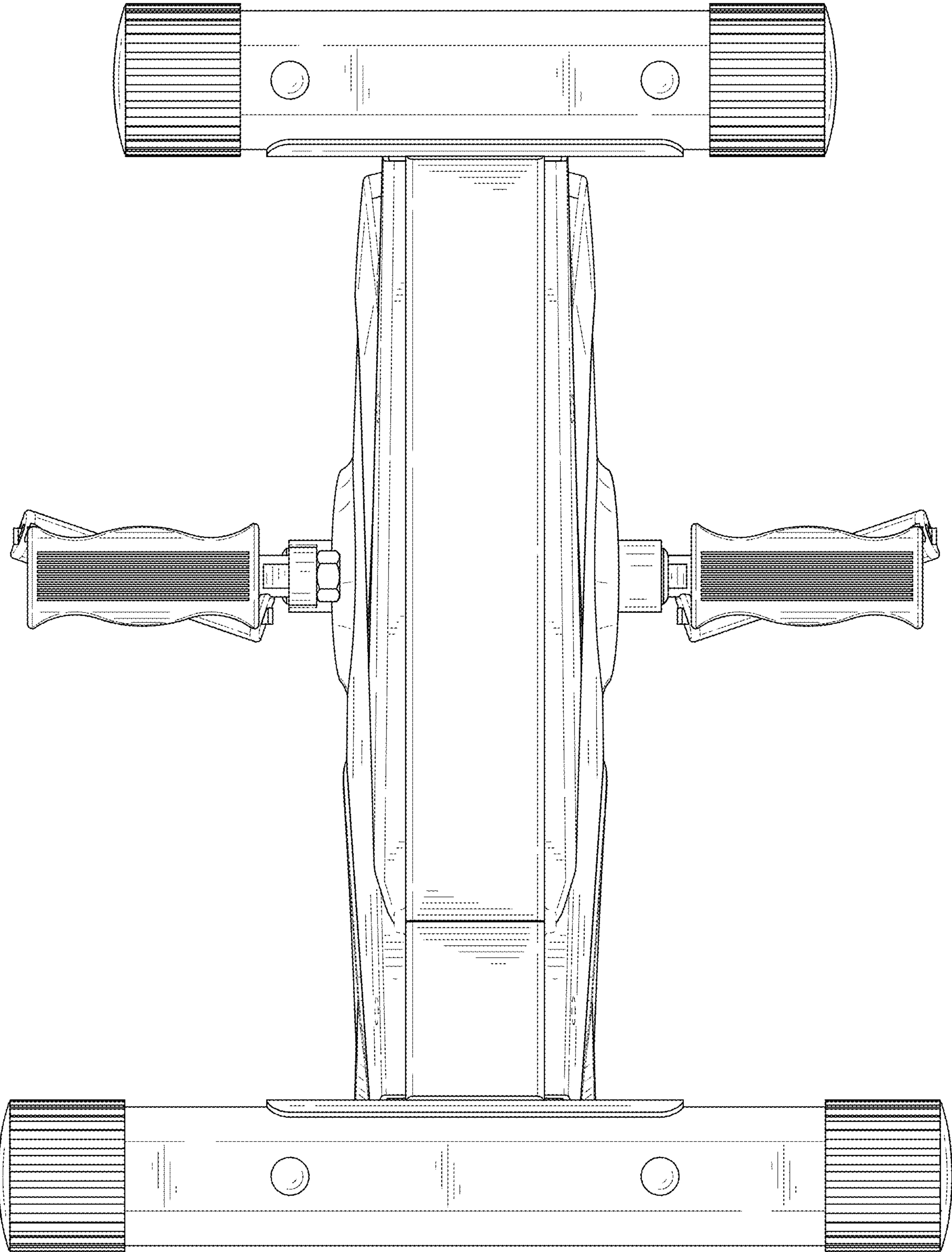


FIG. 8

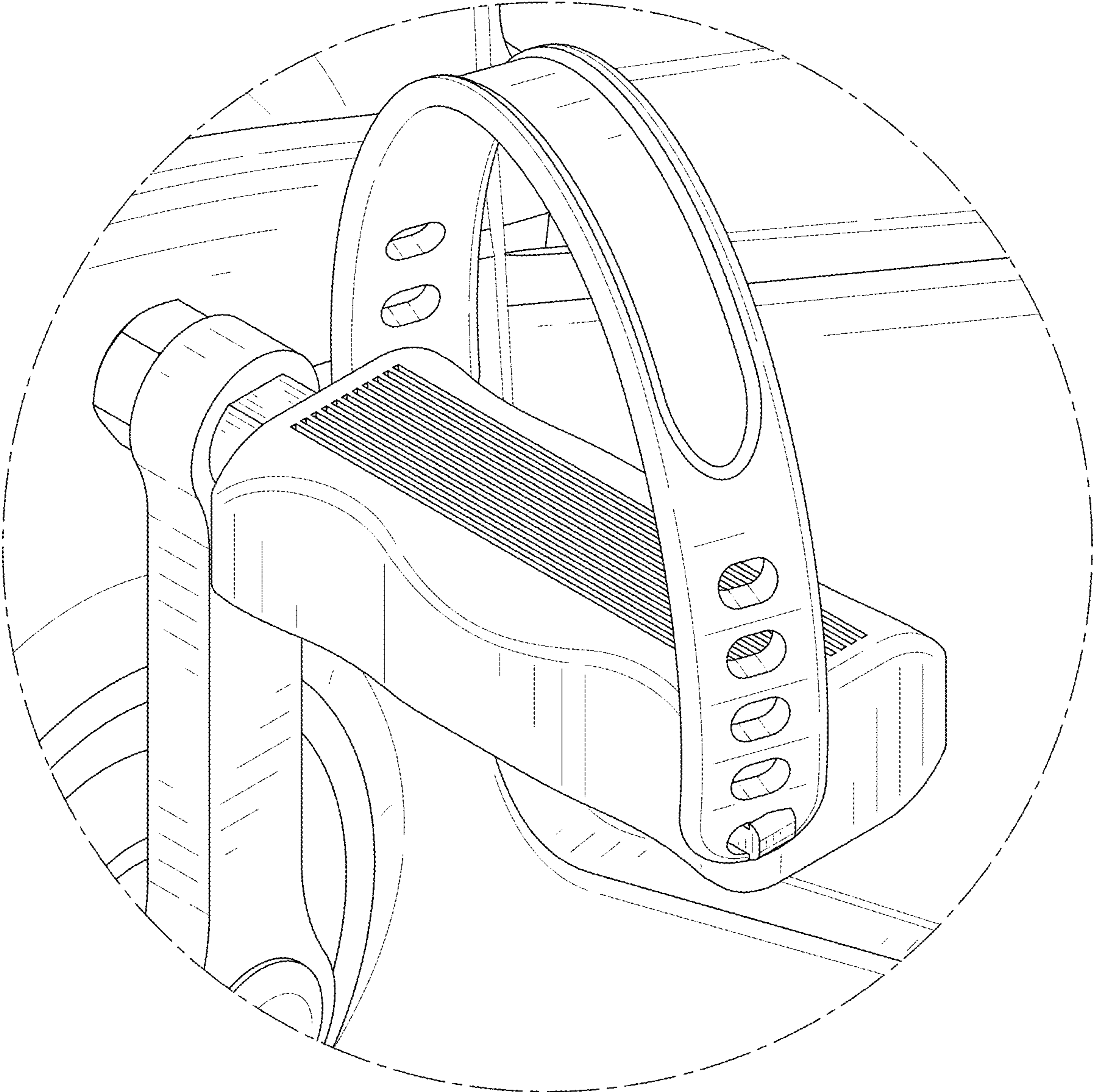


FIG. 9

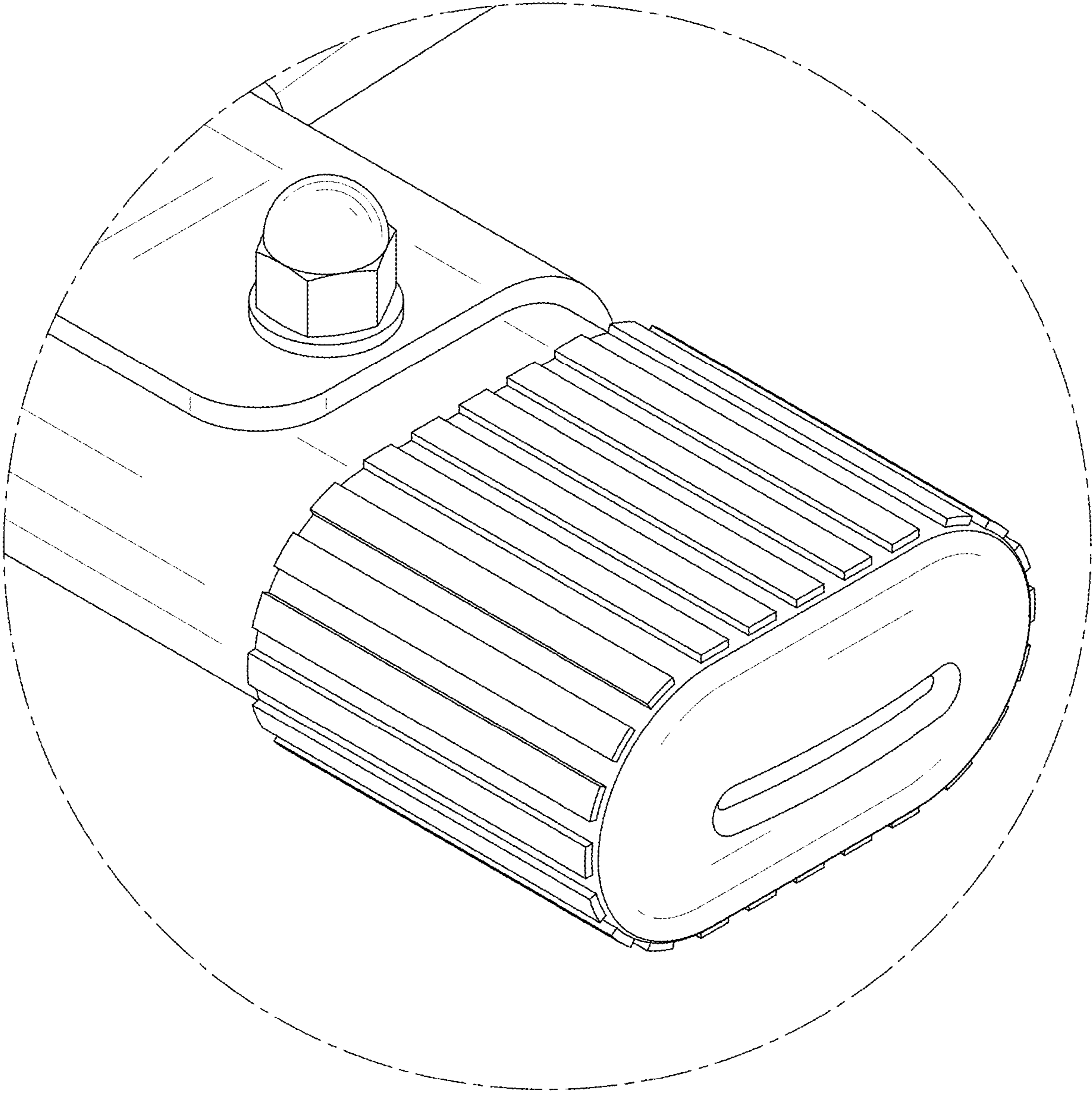


FIG. 10

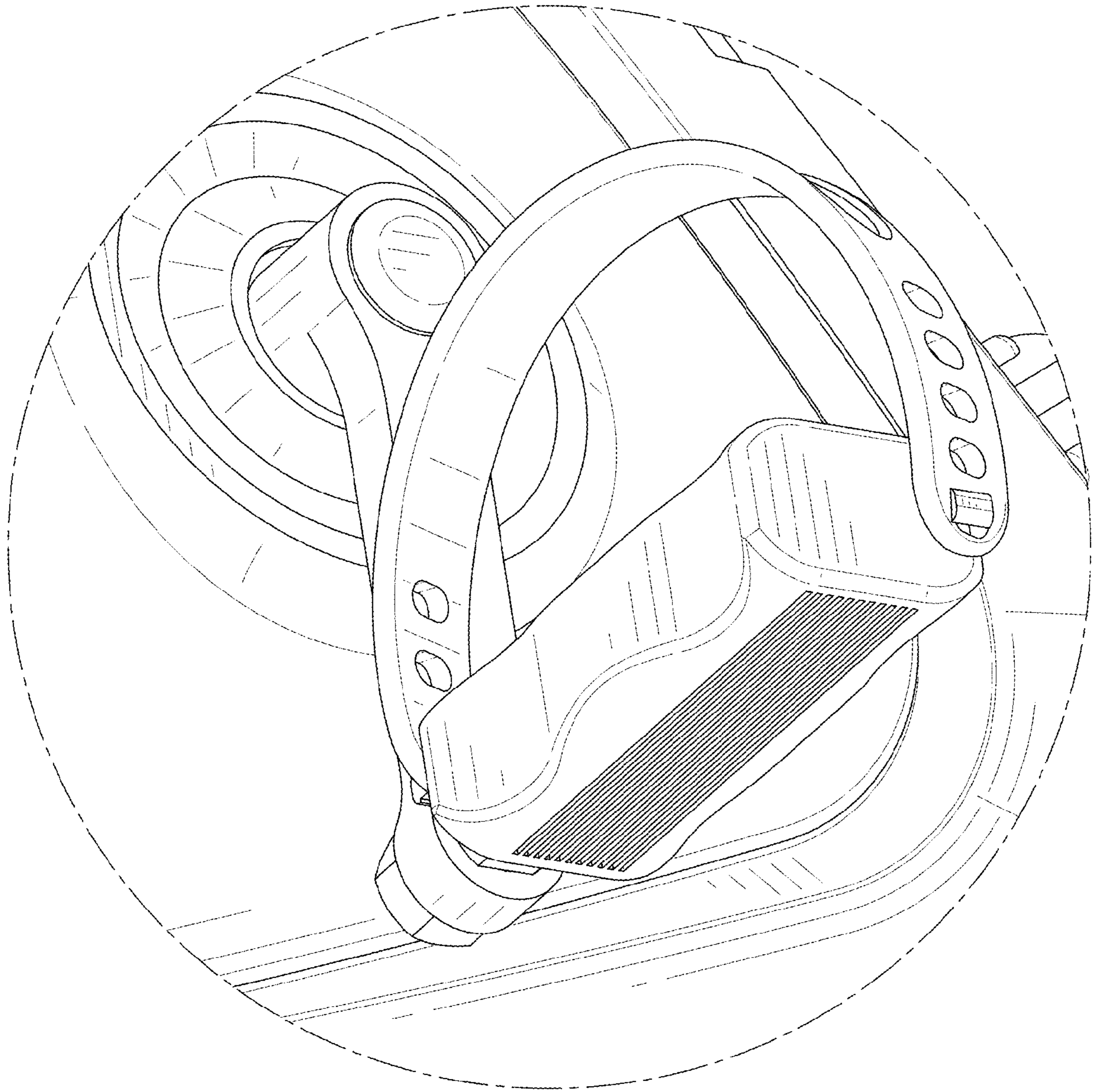


FIG. 11