



US00D916211S

(12) **United States Design Patent**
Bakhtiyari

(10) **Patent No.:** **US D916,211 S**
(45) **Date of Patent:** **** Apr. 13, 2021**

(54) **FACE AND LIP EXERCISE DEVICE**

(71) Applicant: **Maryam Bakhtiyari**, Manhattan Beach,
CA (US)

(72) Inventor: **Maryam Bakhtiyari**, Manhattan Beach,
CA (US)

(**) Term: **15 Years**

(21) Appl. No.: **29/708,777**

(22) Filed: **Oct. 9, 2019**

(51) **LOC (13) Cl.** **21-02**

(52) **U.S. Cl.**
USPC **D21/662**

(58) **Field of Classification Search**
USPC D21/662, 694, 683, 682; D24/133, 152,
D24/176, 200, 211, 212, 213, 214, 215;
D8/499, 396, 393
CPC A61H 7/003; A61H 11/00; A61H 15/0092
See application file for complete search history.

(56) **References Cited**

U.S. PATENT DOCUMENTS

959,684	A *	5/1910	Adelman	A63B 23/032 600/238
3,938,508	A *	2/1976	Buckner	A61F 5/00 606/204.15
4,200,089	A *	4/1980	Inoue	A61B 1/24 600/206
D257,324	S *	10/1980	Huff, Jr.	D8/366
4,280,696	A *	7/1981	Ramon	A63B 23/032 482/11
4,671,260	A *	6/1987	Buckner	A63B 23/032 482/11
D388,846	S *	1/1998	Burghoffer	D21/662
D397,173	S *	8/1998	Edell	D21/662
5,919,116	A *	7/1999	Edell	A63B 23/032 482/11

7,887,461	B2 *	2/2011	Bakhtiyari	A63B 21/025 482/11
2007/0281829	A1 *	12/2007	Ferrara	A63B 23/032 482/11
2009/0143204	A1 *	6/2009	Gronda	A63B 21/0087 482/112

FOREIGN PATENT DOCUMENTS

CN 306042987 * 9/2020

OTHER PUBLICATIONS

Facial exerciser, announced 2019 [online], [site visited on Jan. 26, 2021], Available from internet, URL: <https://www.amazon.com/Facial-Exerciser-Face-Lift-Corrector-Exercise/dp/B07R3WPQ6Q> (Year: 2019).*

Facial toning, announced 2018 [online], [site visited on Jan. 26, 2021], Available from internet, URL: <https://beautymomme.com/facial-toning-with-bella-lip-appliance/> (Year: 2018).*

Beauty exercise, announced 2018 [online], [site visited on Jan. 26, 2021], Available from internet, URL: <https://hollywood411.medium.com/bla-beauty-exercise-back-the-clock-on-aging-332727c42dfc> (Year: 2018).*

* cited by examiner

Primary Examiner — Khawaja Anwar

Assistant Examiner — Julice Seung Eun Oum

(74) *Attorney, Agent, or Firm* — Cislo & Thomas, LLP

(57) **CLAIM**

I claim the ornamental design for a face and lip exercise device, as shown and described.

DESCRIPTION

FIG. 1 is a perspective view of the face and lip exercise device.

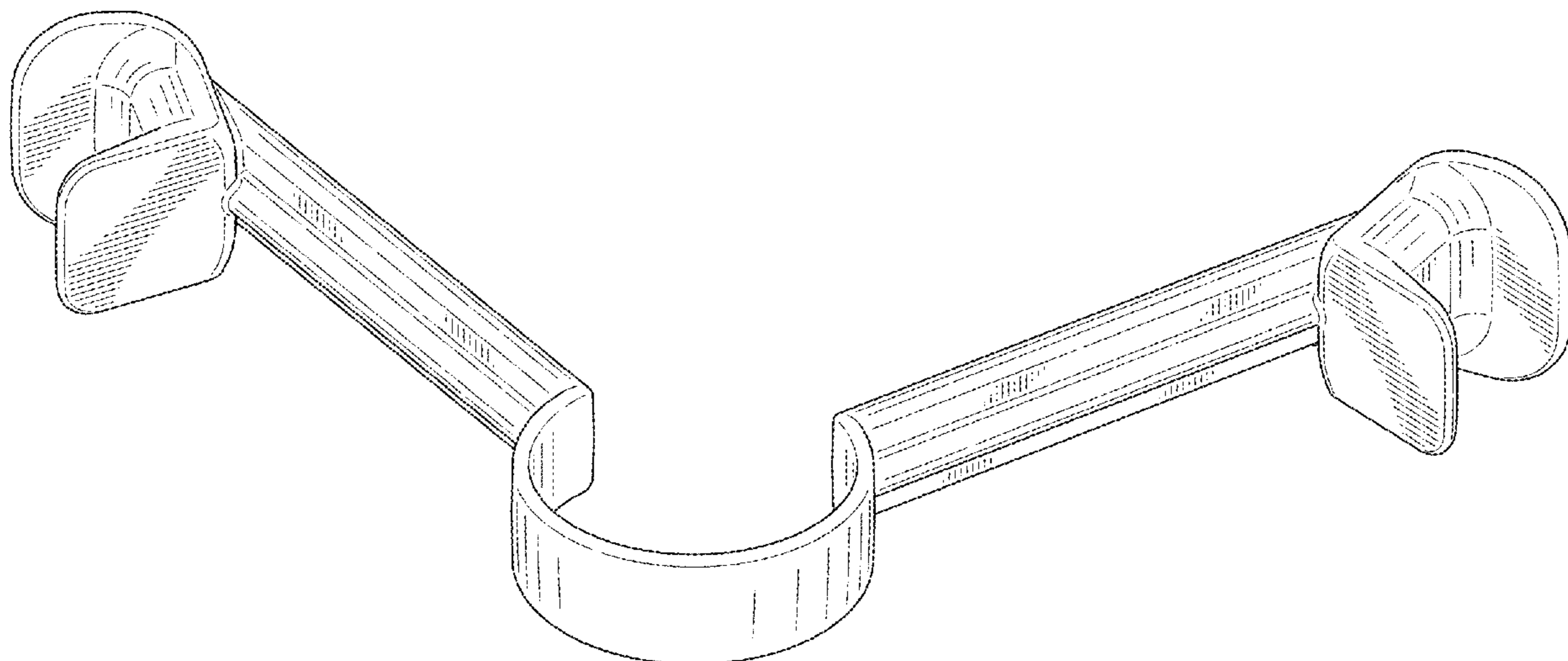
FIG. 2 is a front view thereof.

FIG. 3 is a rear view thereof.

FIG. 4 is a top plan view thereof; and,

FIG. 5 is a right side view thereof with the left side view being a mirror image.

1 Claim, 3 Drawing Sheets



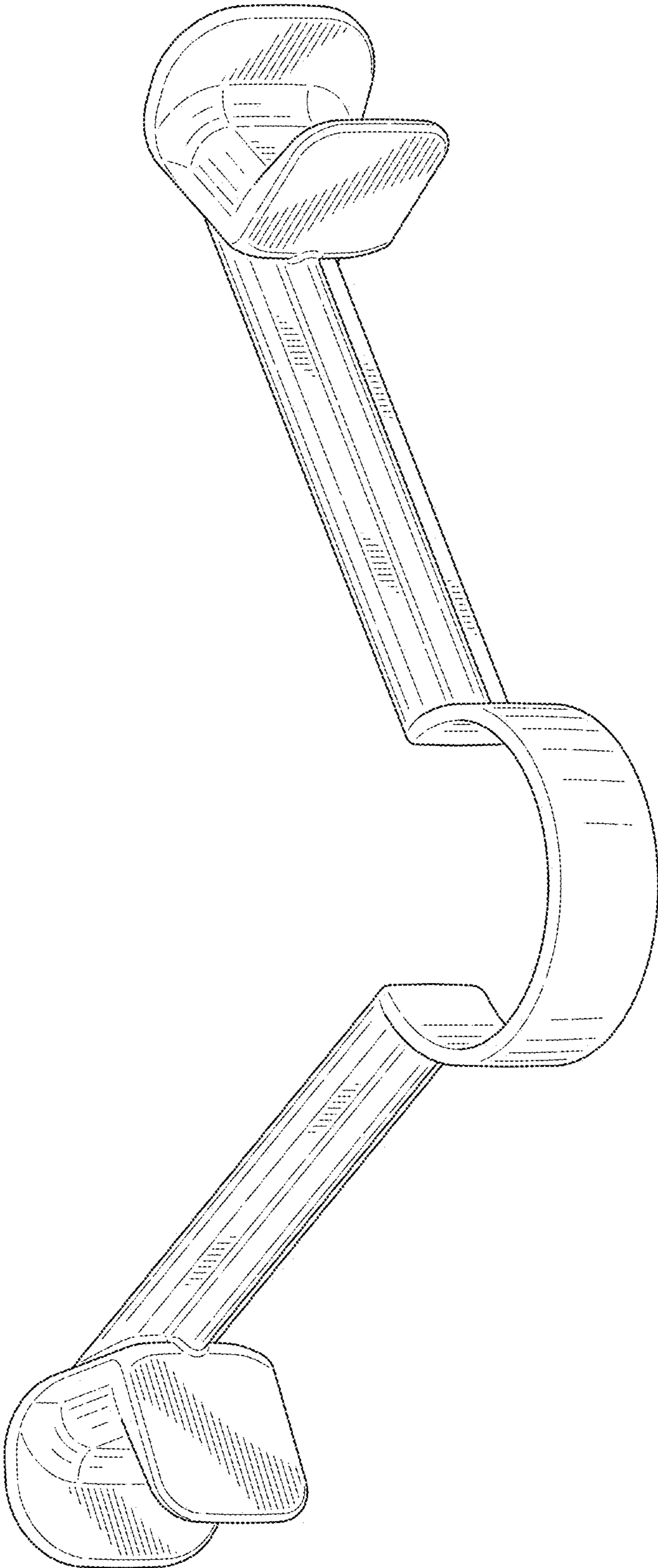


FIG. 1

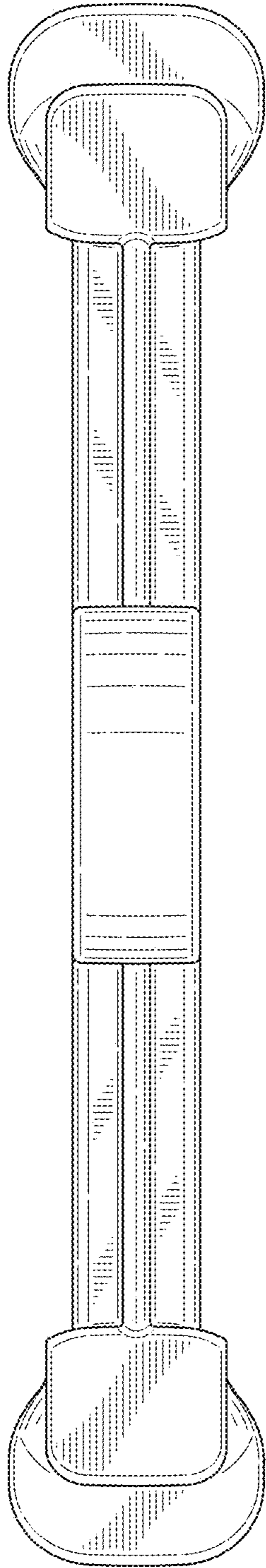


FIG. 2

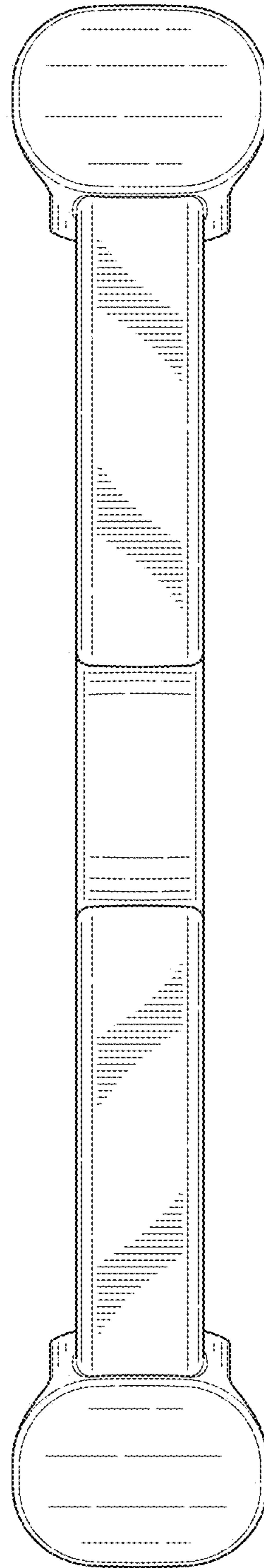


FIG. 3

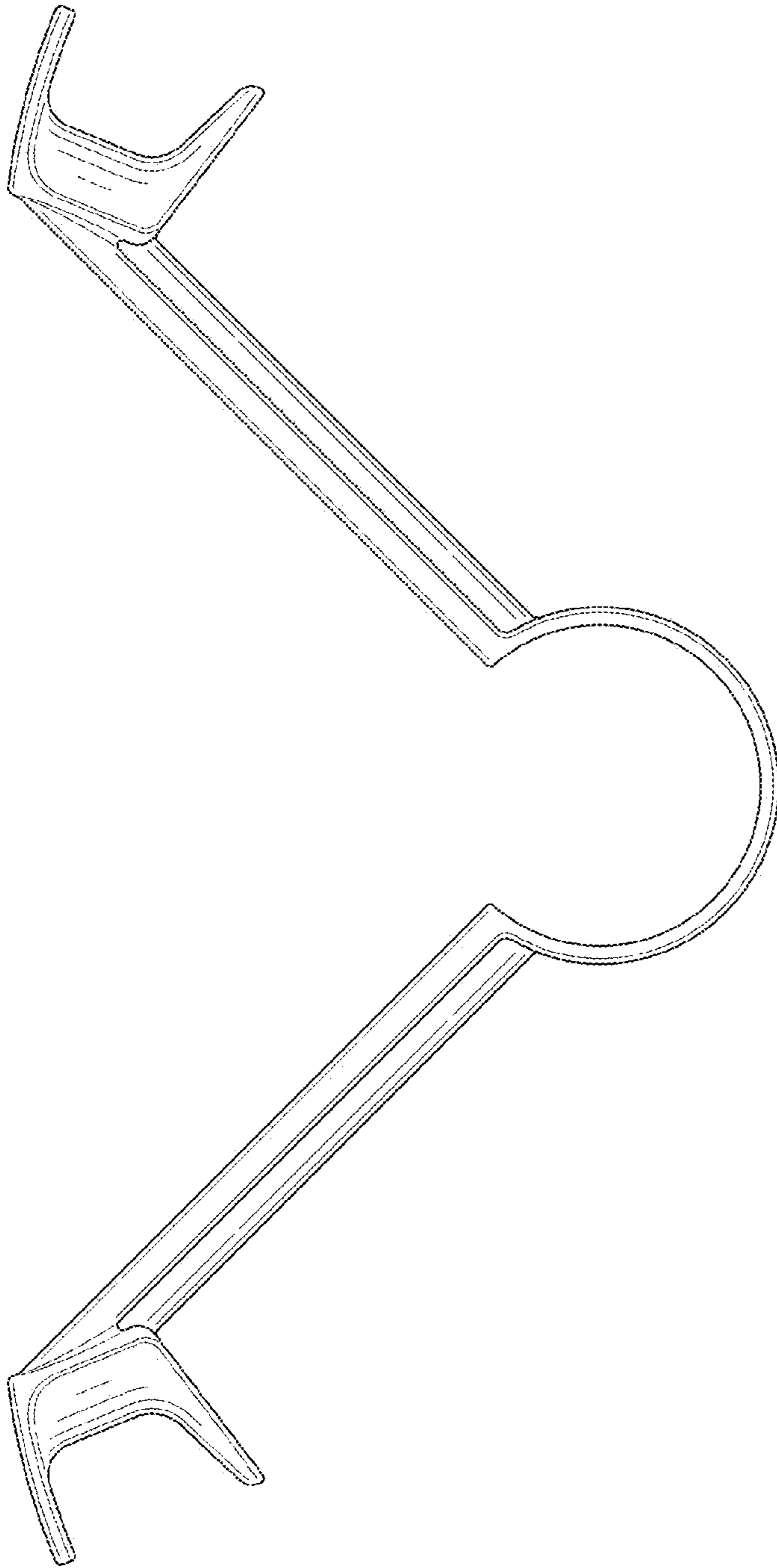


FIG. 4

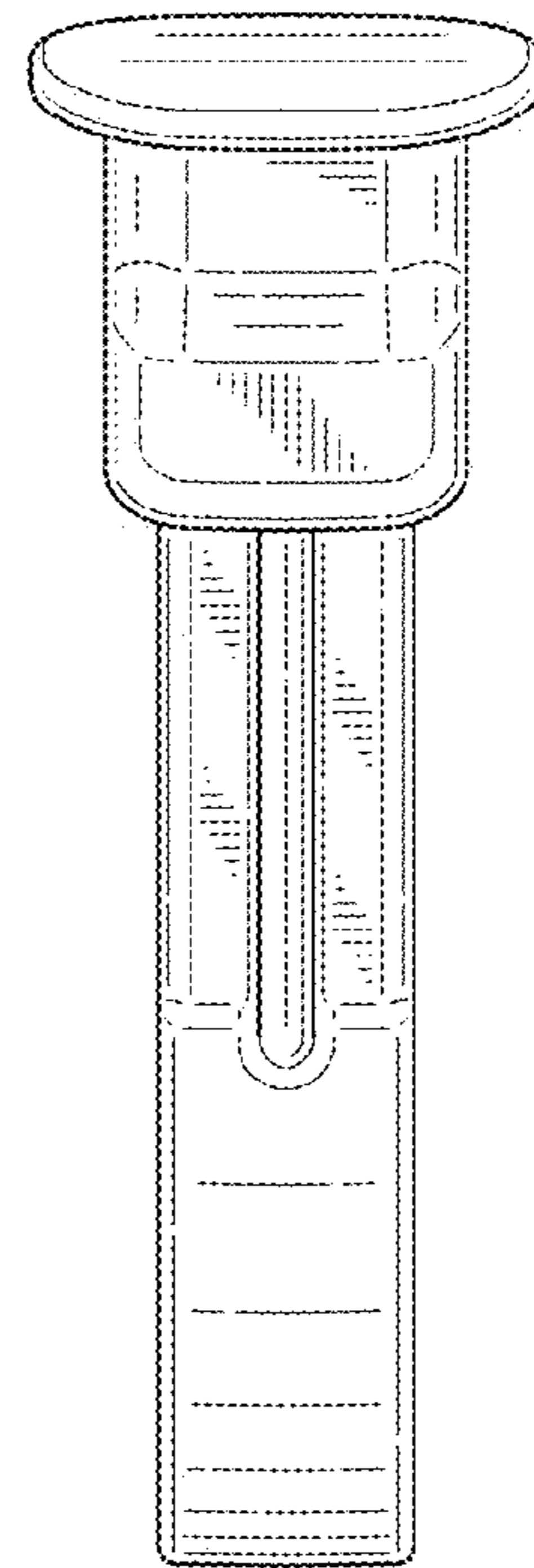


FIG. 5