



US00D916209S

(12) **United States Design Patent** (10) **Patent No.:** **US D916,209 S**
Nezu et al. (45) **Date of Patent:** **** Apr. 13, 2021**

(54) **CLOTHING FOR ROBOT**

(56) **References Cited**

(71) Applicant: **GROOVE X, INC.**, Tokyo (JP)

U.S. PATENT DOCUMENTS

(72) Inventors: **Kota Nezu**, Tokyo (JP); **Minoru Koizumi**, Tokyo (JP); **Kaname Hayashi**, Tokyo (JP)

D838,758 S * 1/2019 Kymm D15/199
D843,498 S * 3/2019 Clerc D21/578
D847,914 S * 5/2019 Hayashi D21/585
D867,477 S * 11/2019 He D21/578
D869,562 S * 12/2019 Xu D21/401
D878,490 S * 3/2020 Hayashi D21/578
D878,491 S * 3/2020 Hayashi D21/592
D894,294 S * 8/2020 Hayashi D21/585

(73) Assignee: **GROOVE X, Inc.**, Tokyo (JP)

(**) Term: **15 Years**

FOREIGN PATENT DOCUMENTS

(21) Appl. No.: **29/703,369**

WO WO-2018190250 A1 * 10/2018 A63H 3/52

(22) Filed: **Aug. 27, 2019**

* cited by examiner

Related U.S. Application Data

(63) Continuation of application No. PCT/JP2018/014663, filed on Apr. 6, 2018.

Primary Examiner — Zenia I Bennett

(74) *Attorney, Agent, or Firm* — WRB-IP LLP

(30) **Foreign Application Priority Data**

Apr. 10, 2017 (JP) JP2017-077265

(51) **LOC (13) Cl.** **21-01**

(52) **U.S. Cl.**
USPC **D21/658**

(58) **Field of Classification Search**
USPC D21/578, 579, 621, 622, 631, 645, 658;
D15/199

CPC A63H 3/00; A63H 3/001; A63H 3/003;
B25J 11/00; B25J 11/0035; B25J 11/008

See application file for complete search history.

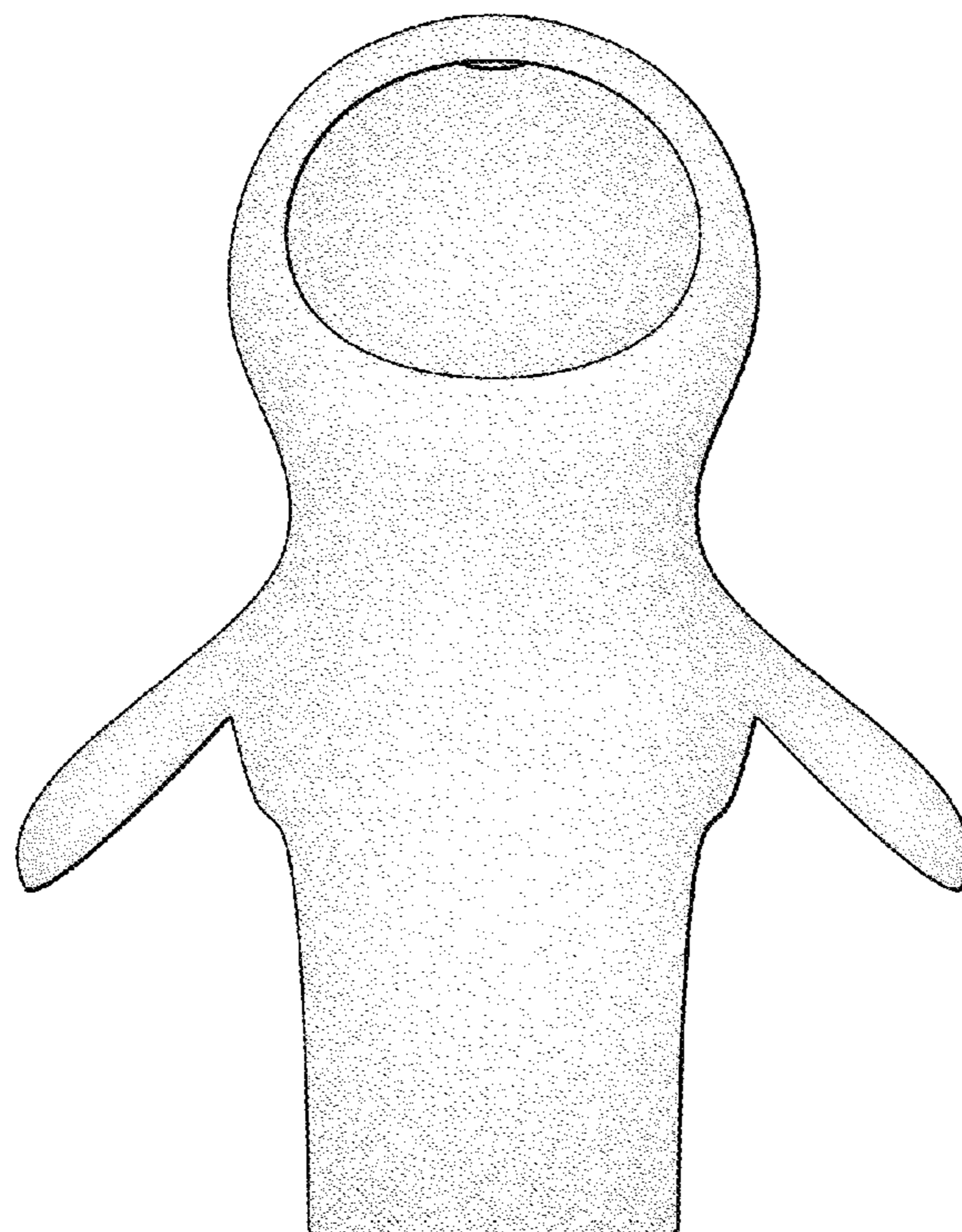
(57) **CLAIM**

The ornamental design for a clothing for robot, as shown and described.

DESCRIPTION

FIG. 1 is a front view of the clothing for robot;
FIG. 2 is a rear view of the clothing for robot of FIG. 1;
FIG. 3 is a side view of the clothing for robot of FIG. 1;
FIG. 4 is a top view of the clothing for robot of FIG. 1;
FIG. 5 is a bottom view of the clothing for robot of FIG. 1;
FIG. 6 is a front view of the clothing for robot and robot in phantom of FIG. 1; and,
FIG. 7 is a side view of the clothing for robot and robot in phantom of FIG. 3.
Broken lines shown in the drawings are for illustrative purposes only and form no part of the claimed design.

1 Claim, 4 Drawing Sheets



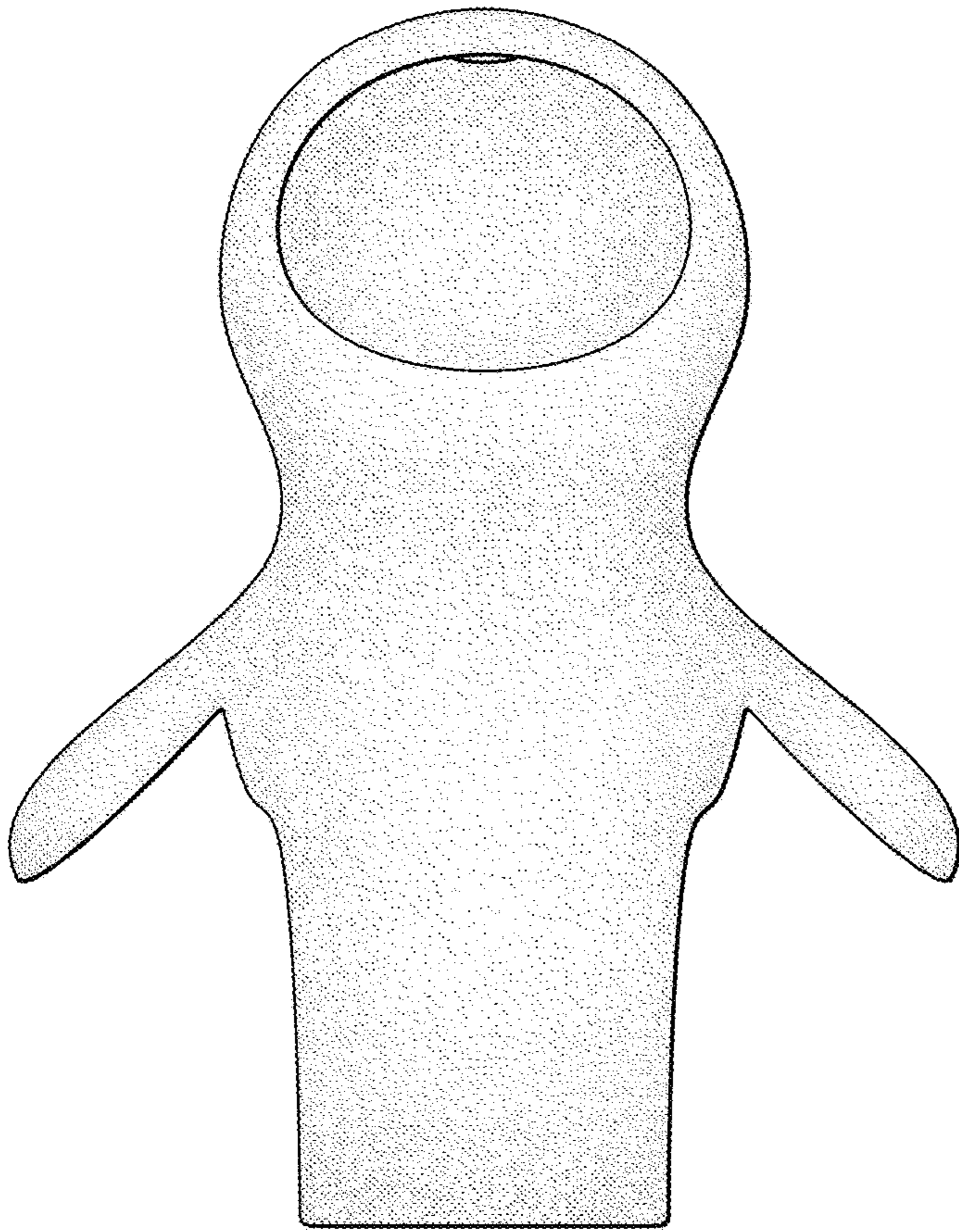


FIG. 1

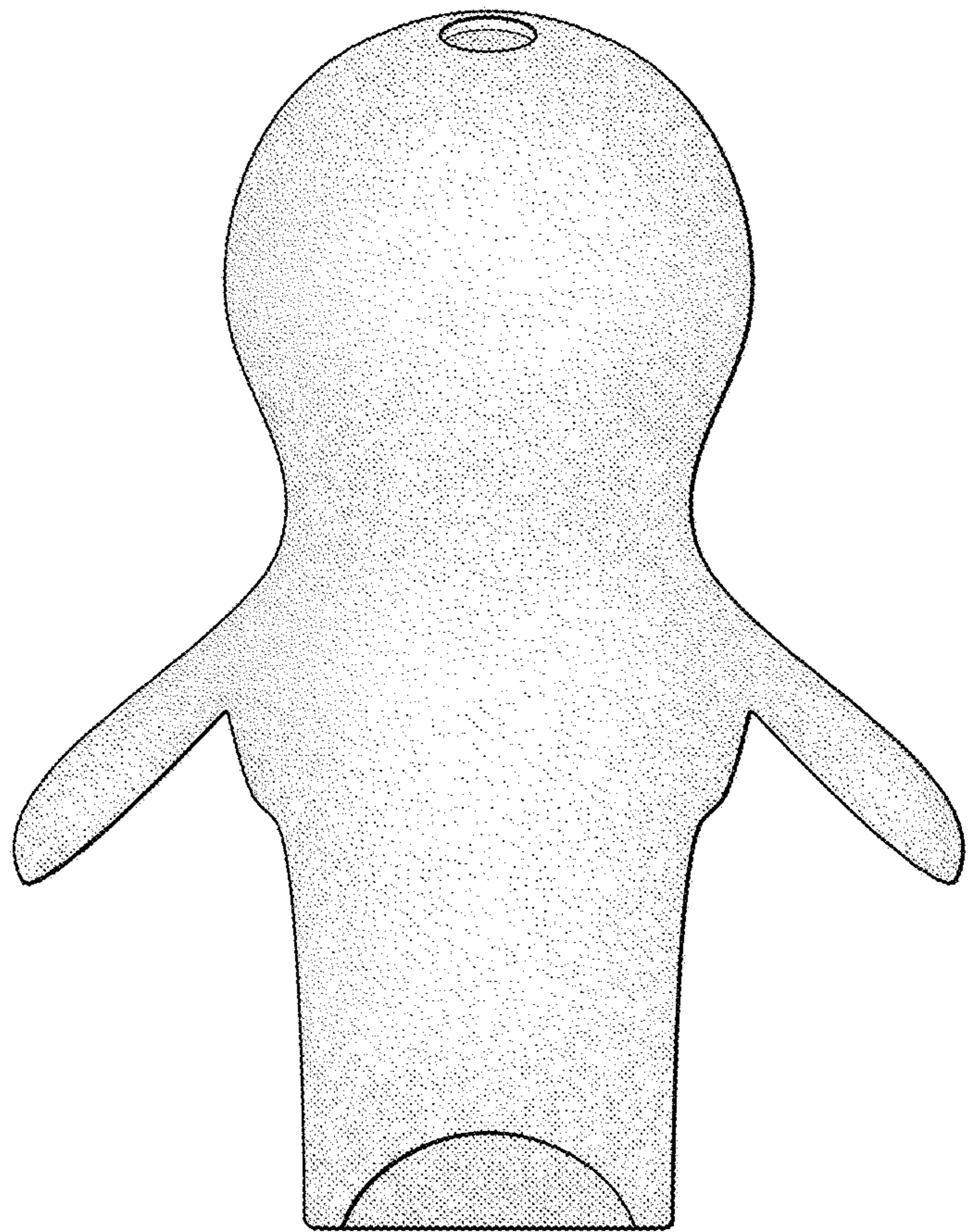


FIG. 2

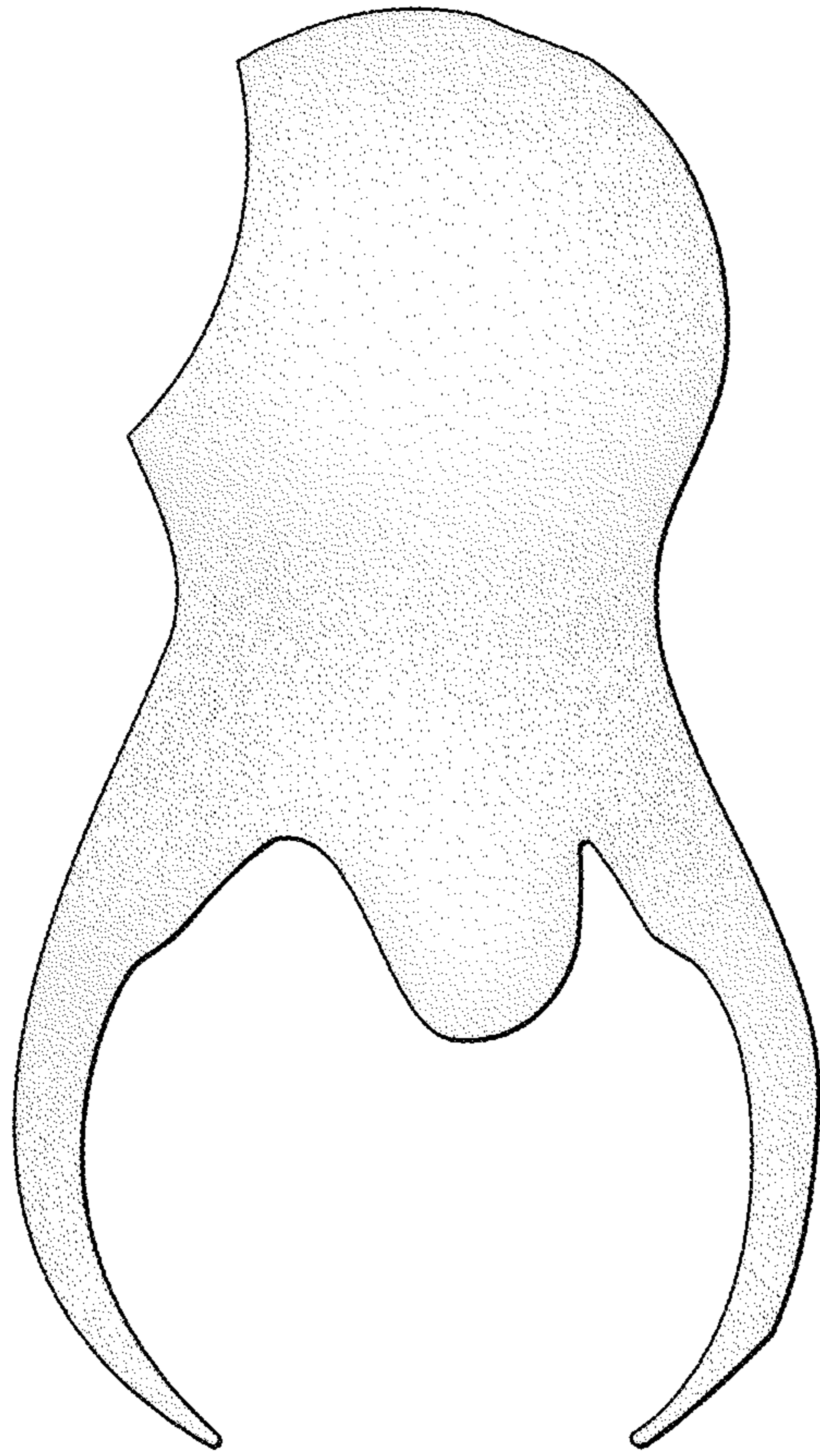


FIG. 3

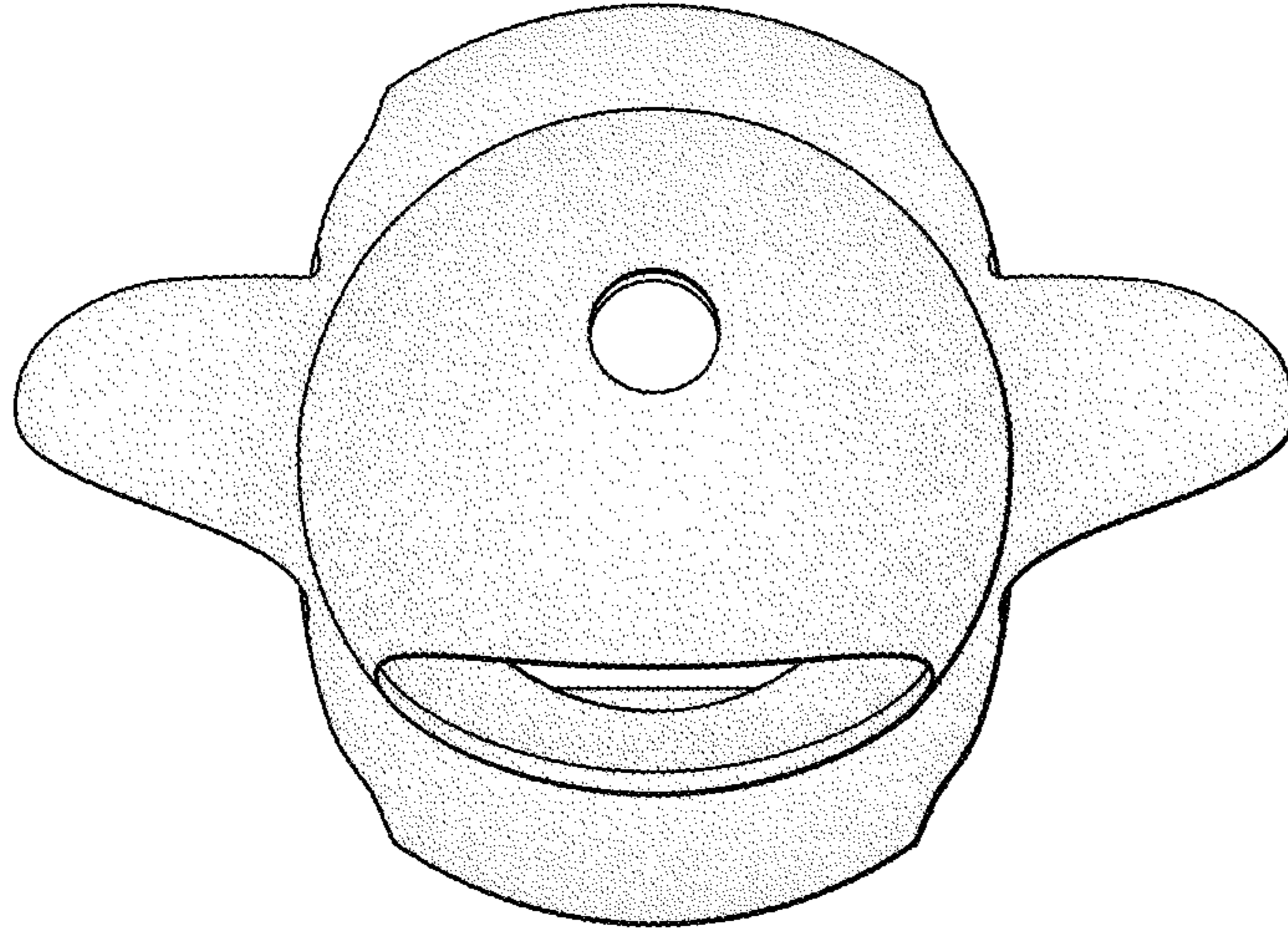


FIG. 4

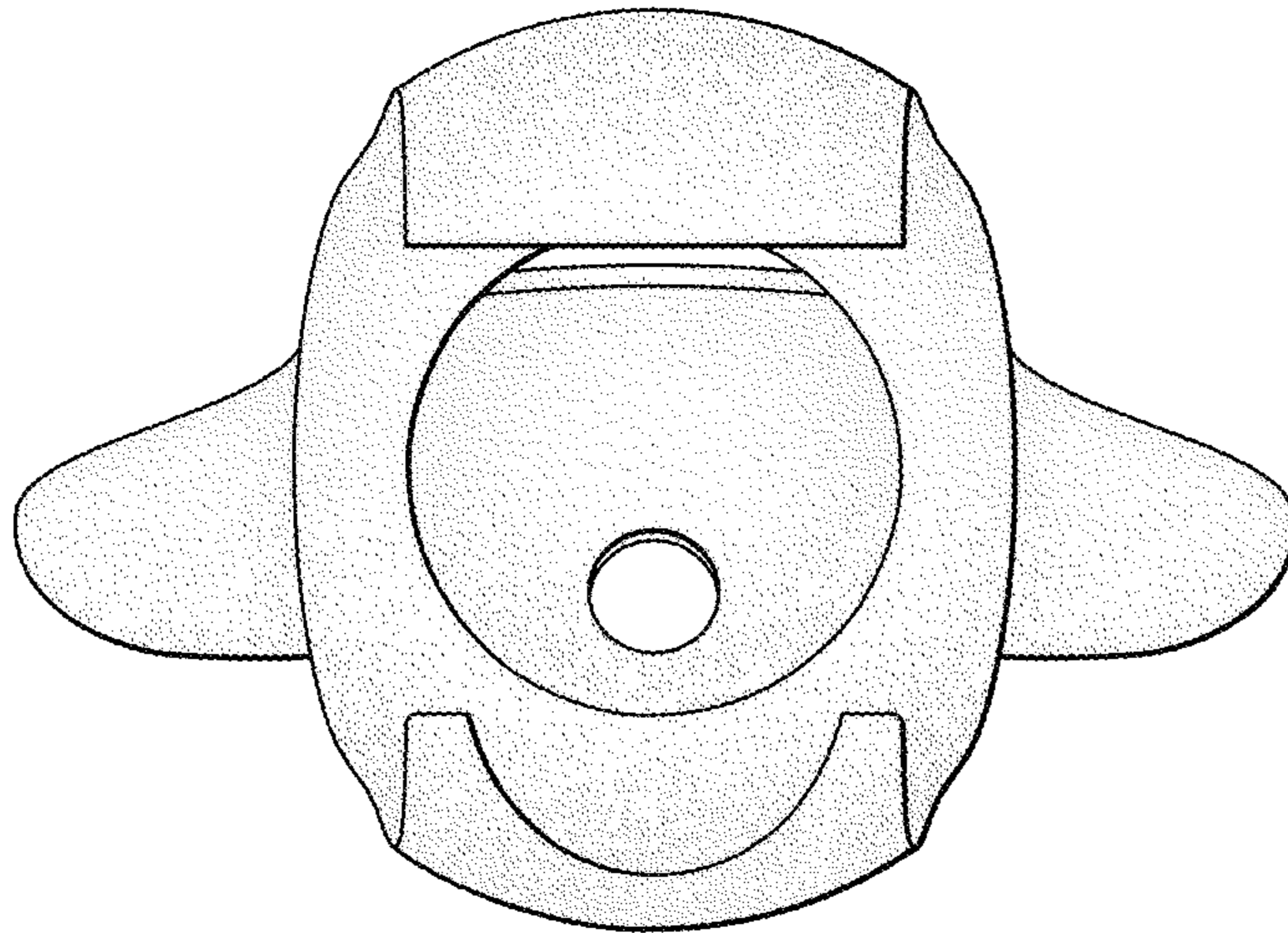


FIG. 5

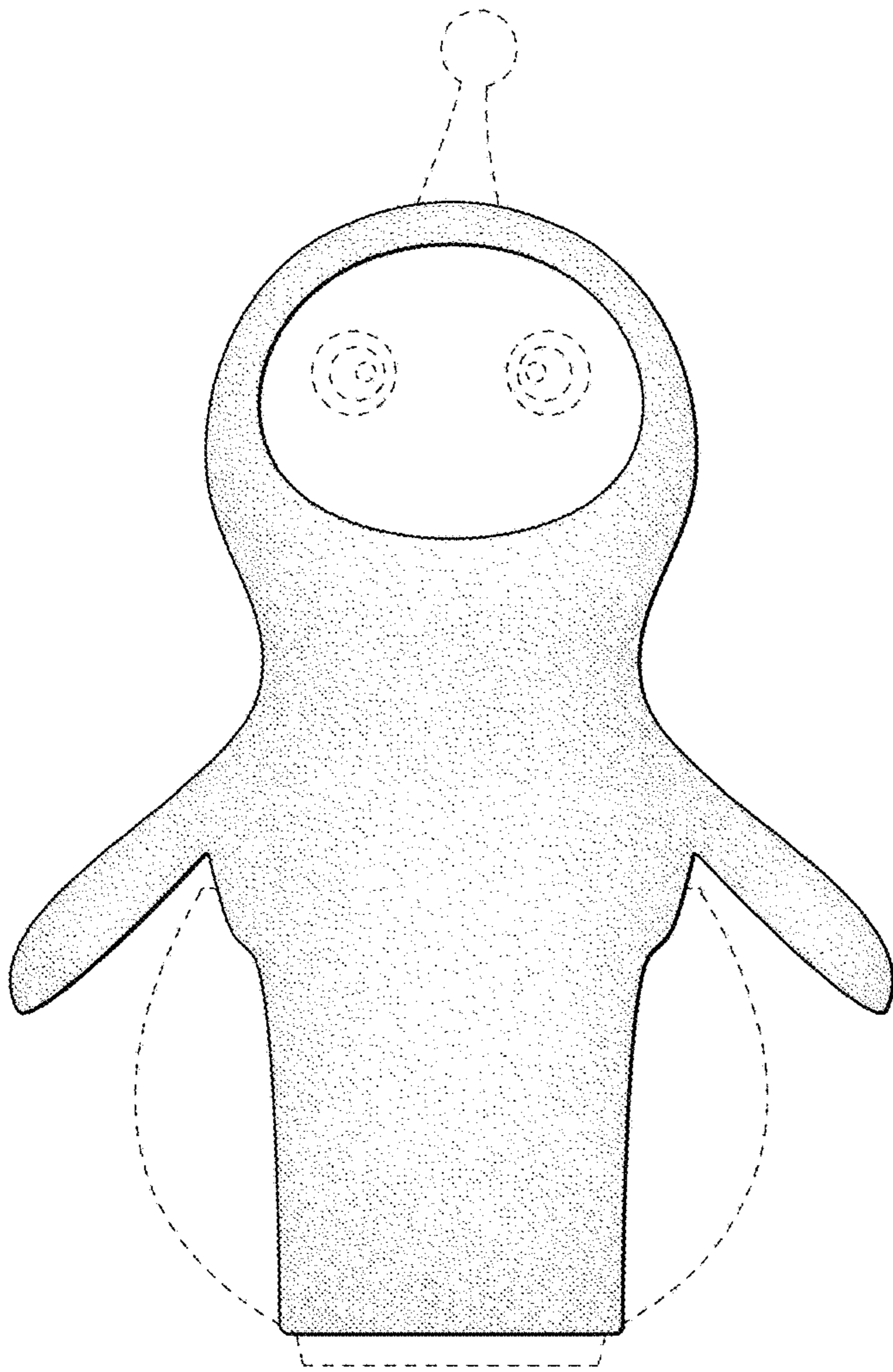


FIG. 6

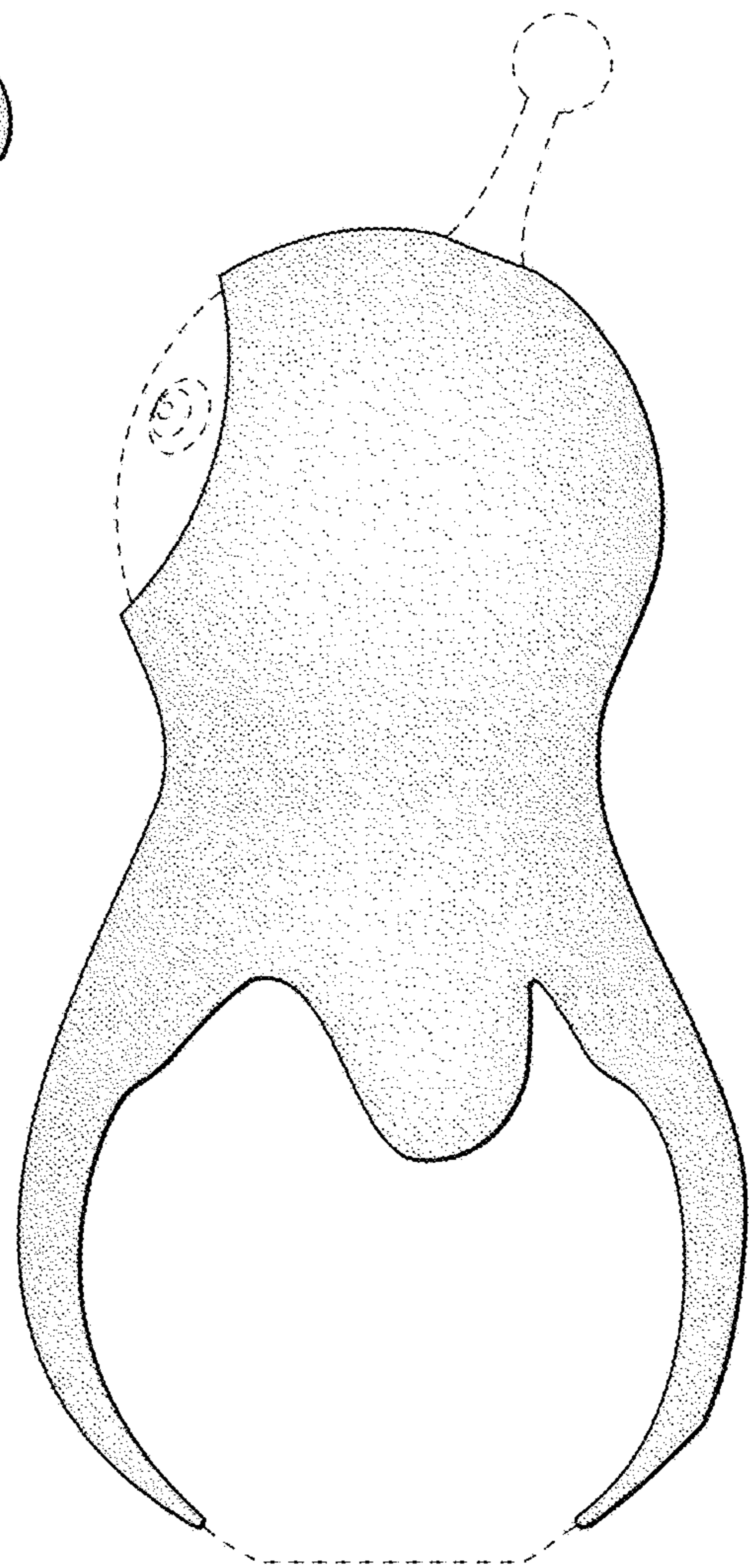


FIG. 7