



US00D916200S

(12) **United States Design Patent**  
**Reese**

(10) **Patent No.:** **US D916,200 S**  
(45) **Date of Patent:** **\*\* Apr. 13, 2021**

- (54) **TOY MUSICAL INSTRUMENT**
- (71) Applicant: **Kids II Hape Joint Venture Limited,**  
Hong Kong (CN)
- (72) Inventor: **Bradford Reese,** Decatur, GA (US)
- (73) Assignee: **Kids II Hape Joint Venture Limited,**  
Hong Kong (CN)
- (\*\*) Term: **15 Years**
- (21) Appl. No.: **29/704,255**
- (22) Filed: **Sep. 3, 2019**

- D217,687 S \* 5/1970 Doe ..... D21/409
- 4,892,023 A \* 1/1990 Takeuchi ..... G10H 1/0556  
84/687
- D320,034 S \* 9/1991 Brooks ..... D17/9
- D322,086 S \* 12/1991 Yamawaki ..... D17/7
- D325,924 S \* 5/1992 Yu ..... D17/1
- 5,145,447 A 9/1992 Goldfarb
- 5,248,843 A \* 9/1993 Billings ..... A63H 5/00  
84/609
- D345,754 S \* 4/1994 Oki ..... D17/1
- D362,469 S \* 9/1995 Kino ..... D21/409
- 5,545,071 A 8/1996 Shiraishi
- D402,647 S \* 12/1998 Fung ..... D14/395
- D615,601 S \* 5/2010 Trinca ..... D21/409
- 8,008,563 B1 \* 8/2011 Hastings ..... G09B 15/04  
84/479 A

(Continued)

**Related U.S. Application Data**

- (63) Continuation of application No. 16/241,601, filed on  
Jan. 7, 2019.
- (51) **LOC (13) Cl.** ..... **21-01**
- (52) **U.S. Cl.**  
USPC ..... **D21/409**
- (58) **Field of Classification Search**  
USPC ..... D21/405, 409, 410; D17/1-9; D19/59,  
D19/60; 446/143, 175, 408, 484;  
84/470 R, 477 R  
CPC ..... A63H 5/00; A63H 2200/00; A63H 33/22;  
A63H 33/26; G10H 2230/055; G10H  
2230/075; G10H 2230/111; G10H  
2230/121; G10H 2230/131; G10H  
2230/145; G10H 2230/00; G10H 1/32;  
G10H 1/34; G10H 1/342  
See application file for complete search history.

(56) **References Cited**

**U.S. PATENT DOCUMENTS**

- D111,958 S \* 11/1938 Davis ..... D6/645
- 2,826,954 A \* 3/1958 Zimmerman ..... A63H 5/00  
84/404

**FOREIGN PATENT DOCUMENTS**

- CN 3547601 \* 7/2006
- CN 300703721 \* 10/2007

(Continued)

*Primary Examiner* — Catherine A Tuttle

(74) *Attorney, Agent, or Firm* — Sterne, Kessler,  
Goldstein & Fox P.L.L.C.

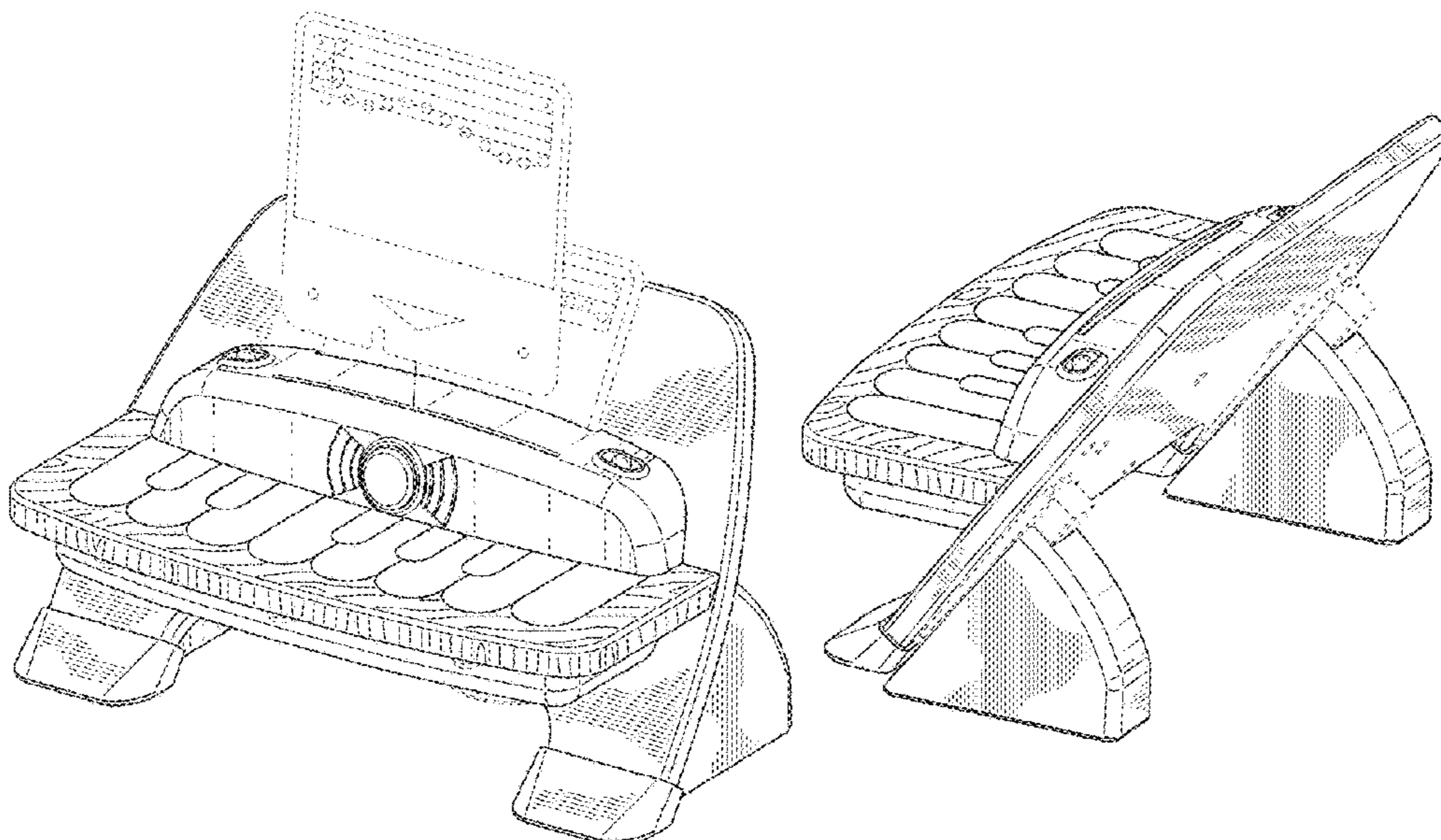
(57) **CLAIM**

The ornamental design for a toy musical instrument, as  
shown and described.

**DESCRIPTION**

FIG. 1 is a top front perspective view of a toy musical  
instrument showing our new design; and,  
FIG. 2 is a top rear perspective view thereof, the song cards  
seen in FIG. 1 being omitted for convenience.  
The broken lines in the figures show portions of the toy  
musical instrument that form no part of the claimed design.  
Portions of the toy musical instrument that are not shown  
form no part of the claimed design.

**1 Claim, 2 Drawing Sheets**



(56)

**References Cited**

U.S. PATENT DOCUMENTS

9,299,330 B2 \* 3/2016 Shi ..... C12N 9/52  
D837,283 S \* 1/2019 Tsai ..... D17/2  
D877,238 S \* 3/2020 Yang ..... D17/2  
2003/0159564 A1 \* 8/2003 Oren-Chazon ..... G09B 15/04  
84/477 R  
2003/0196541 A1 \* 10/2003 Ishida ..... G10H 1/32  
84/622  
2005/0230574 A1 \* 10/2005 Hsieh ..... G10H 1/32  
248/163.1  
2009/0266218 A1 10/2009 Parienti  
2012/0115392 A1 \* 5/2012 Chu ..... A63H 3/28  
446/369  
2012/0247308 A1 10/2012 Tsai  
2015/0262558 A1 \* 9/2015 Trinca ..... A63H 33/30  
84/184  
2019/0212843 A1 \* 7/2019 Reese ..... G06F 3/044

FOREIGN PATENT DOCUMENTS

CN 302742981 \* 2/2014  
CN 302742983 \* 2/2014  
CN 304032138 \* 2/2017

\* cited by examiner

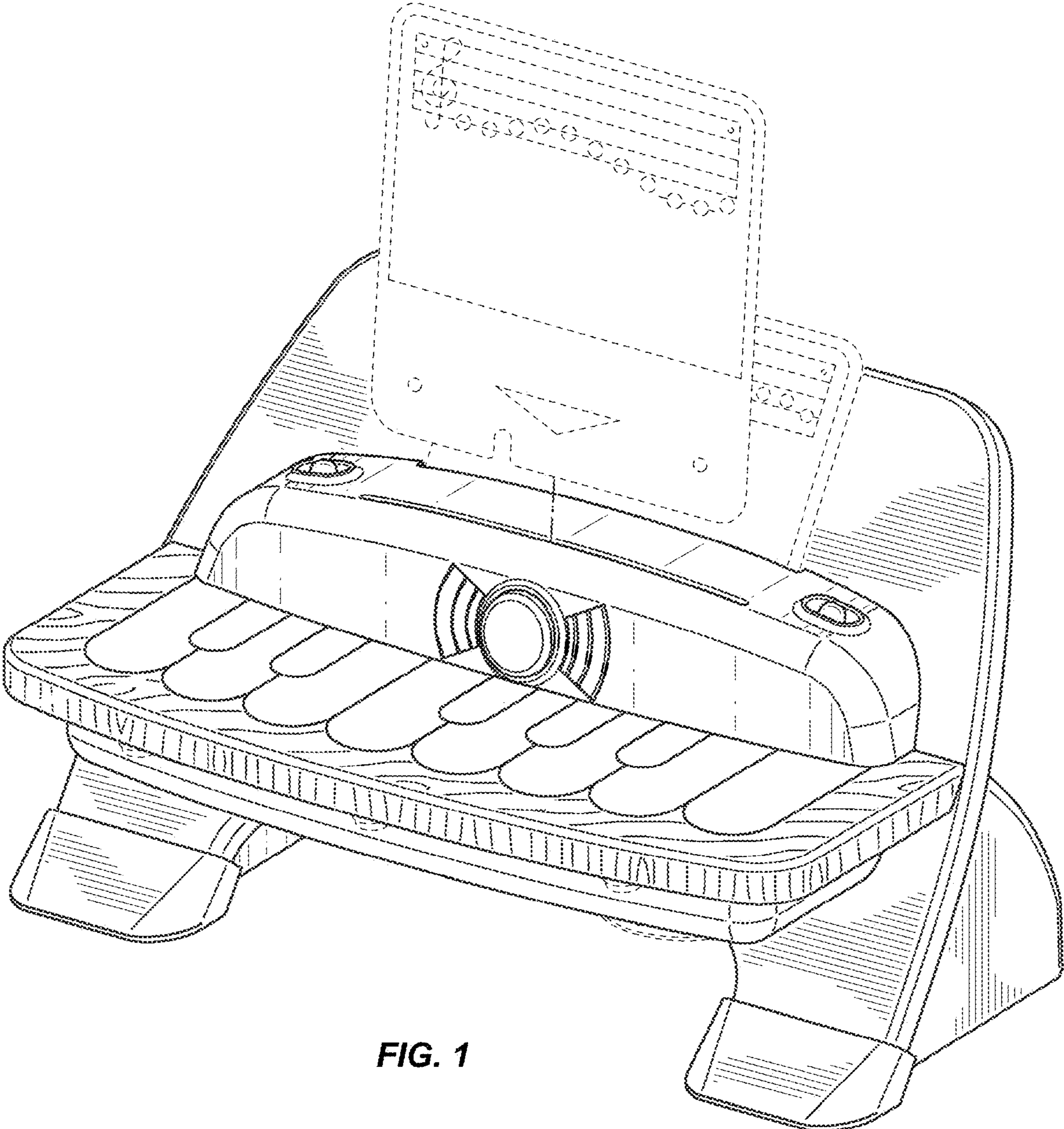


FIG. 1

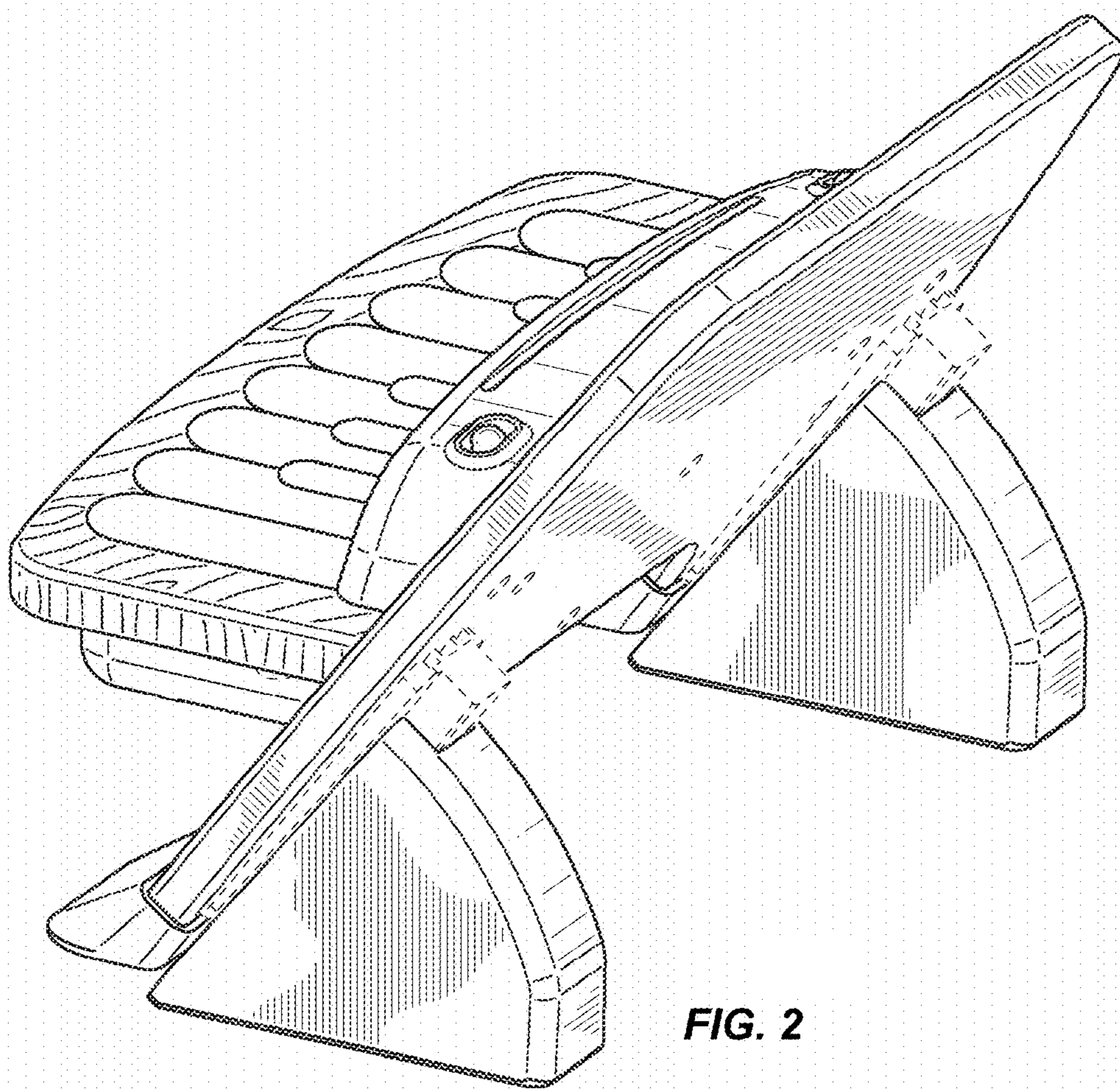


FIG. 2