



US00D916198S

(12) **United States Design Patent** (10) **Patent No.:** **US D916,198 S**  
**Lee** (45) **Date of Patent:** **\*\* Apr. 13, 2021**

(54) **WHEEL GAMING DEVICE**  
(71) Applicant: **Andy Dao Quang Lee**, Walnut, CA (US)  
(72) Inventor: **Andy Dao Quang Lee**, Walnut, CA (US)  
(\*\*) Term: **15 Years**  
(21) Appl. No.: **29/745,134**

D330,733 S \* 11/1992 Strey ..... D21/347  
D349,736 S \* 8/1994 Hatting ..... D21/561  
D364,199 S \* 11/1995 Schmidt ..... D21/488  
D366,073 S \* 1/1996 Schmidt ..... D21/488  
D378,383 S \* 3/1997 Jarrell ..... D21/374  
D388,475 S \* 12/1997 Glickman ..... D21/488  
D541,879 S \* 5/2007 Klamer ..... D21/371  
D690,368 S \* 9/2013 Kelly et al.  
D761,915 S \* 7/2016 Kushner ..... D21/374  
D763,966 S \* 8/2016 Lowery  
D810,204 S \* 2/2018 Anzalone ..... D21/374  
D829,284 S \* 9/2018 Zanger ..... D21/473  
D895,021 S \* 9/2020 Tang ..... D21/375

(22) Filed: **Aug. 4, 2020**  
(51) **LOC (13) Cl.** ..... **21-03**  
(52) **U.S. Cl.**  
USPC ..... **D21/374**  
(58) **Field of Classification Search**  
USPC ..... D21/374, 385, 347, 371, 473, 488, 561;  
D19/64; D6/647.1; 482/132, 93, 142  
CPC .... A63F 5/00; A63F 5/04; A63F 5/045; A63F  
2011/0016; A63F 5/02; A63F 5/0094;  
A63F 5/043; A63F 5/0005; A63F 7/048;  
A63F 2009/0426; A63F 2009/165; A63F  
5/041; A63F 9/0415; A63F 9/16; A63B  
22/20  
See application file for complete search history.

**OTHER PUBLICATIONS**

Zehuoge by Zehuoge dated no date given. Found online [Mar. 4, 2021] <https://www.amazon.com/ZeHuoGe-Detachable-Tradeshows-Activities-Carnivals/dp/B08GF5HPRH>.\*

\* cited by examiner

*Primary Examiner* — Ryan Harvey  
(74) *Attorney, Agent, or Firm* — Rumit Ranjit Kanakia

(57) **CLAIM**

I claim the ornamental design for a wheel gaming device, as shown and described.

(56) **References Cited**

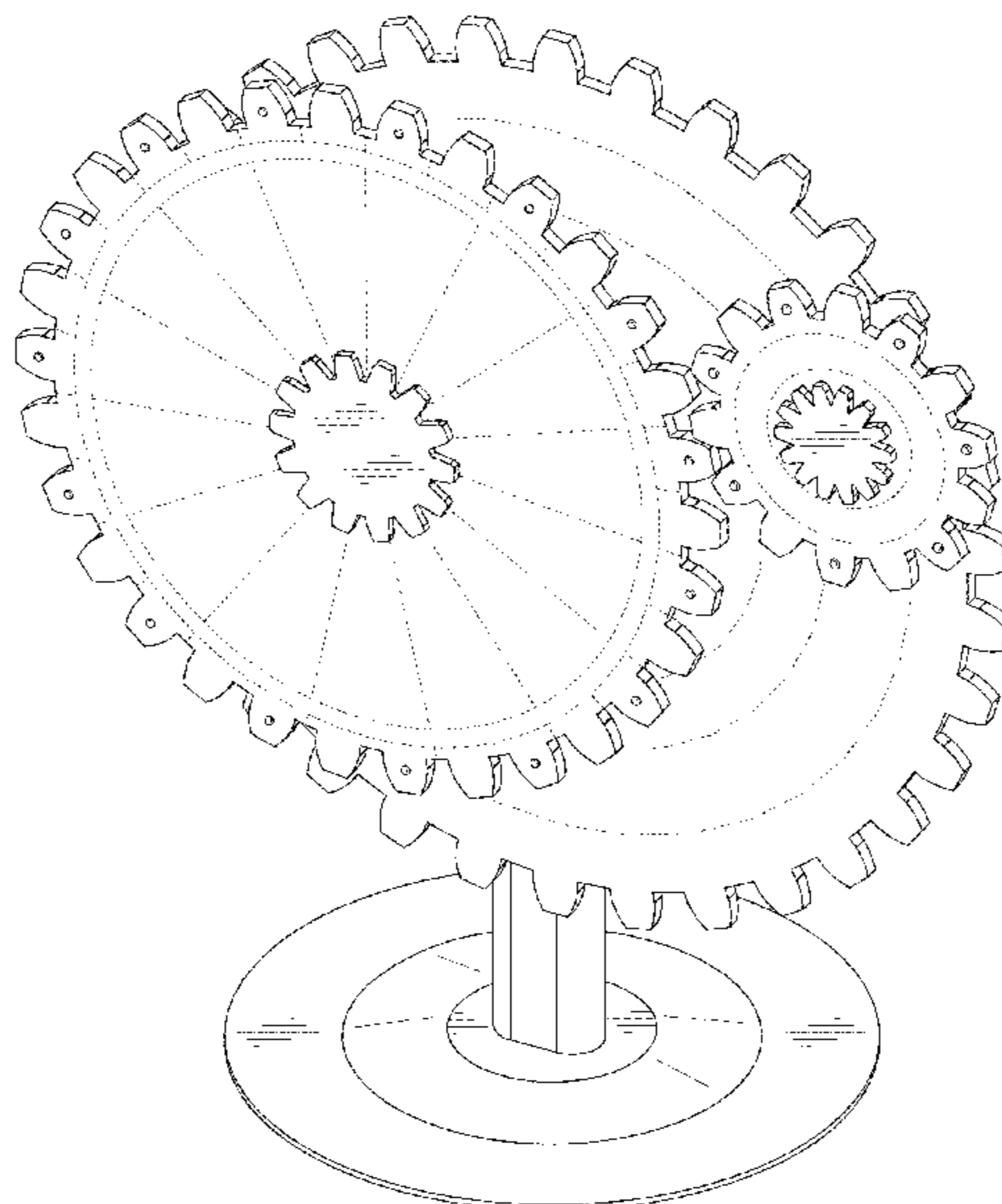
**U.S. PATENT DOCUMENTS**

D105,223 S \* 7/1937 Miller ..... D21/374  
2,123,285 A \* 7/1938 Miller ..... G09F 19/10  
273/142 JA  
D124,670 S \* 1/1941 Ruderman ..... D6/674.1  
D137,307 S \* 2/1944 Mercer ..... D21/374  
D174,100 S \* 2/1955 Rossi ..... D21/374  
D205,777 S \* 9/1966 Ischinger ..... D21/374  
D205,778 S \* 9/1966 Ischinger ..... D21/374  
D210,788 S \* 4/1968 Ischinger ..... D21/374  
D210,790 S \* 4/1968 Ischinger ..... D21/374  
D211,954 S \* 8/1968 Ischinger ..... D21/374  
D294,837 S \* 3/1988 Haines ..... D19/64  
D295,191 S \* 4/1988 Goldman ..... D19/59

**DESCRIPTION**

FIG. 1 is a Perspective view of a wheel gaming device showing my new design;  
FIG. 2 is a Front view thereof;  
FIG. 3 is a Back view thereof;  
FIG. 4 is a Right-side view thereof;  
FIG. 5 is a Left-side view thereof;  
FIG. 6 is a Top view thereof; and,  
FIG. 7 is a Bottom view thereof.  
The broken lines are for the purpose of illustrating portions of the article that form no part of the claim.

**1 Claim, 7 Drawing Sheets**



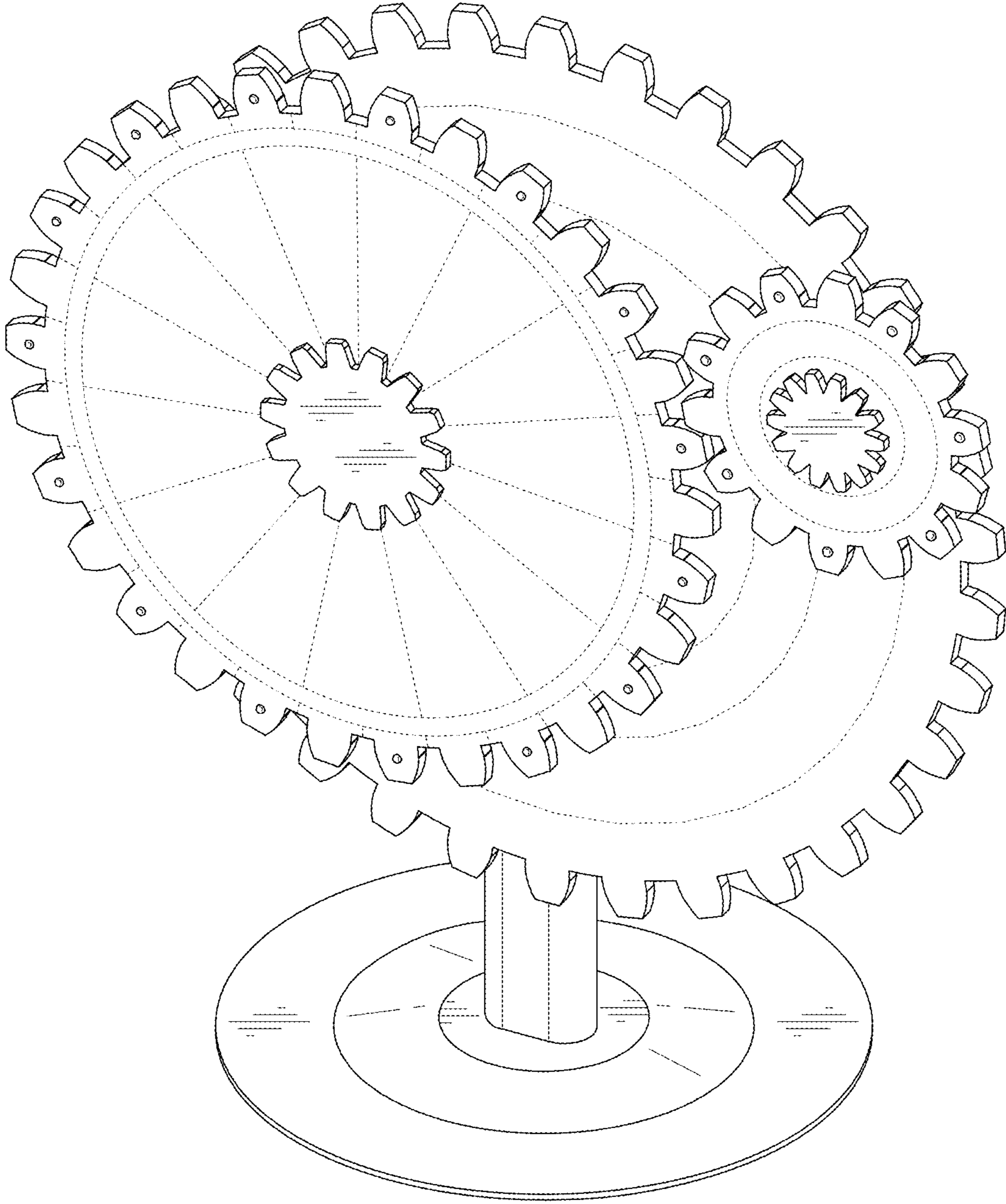


FIG. 1

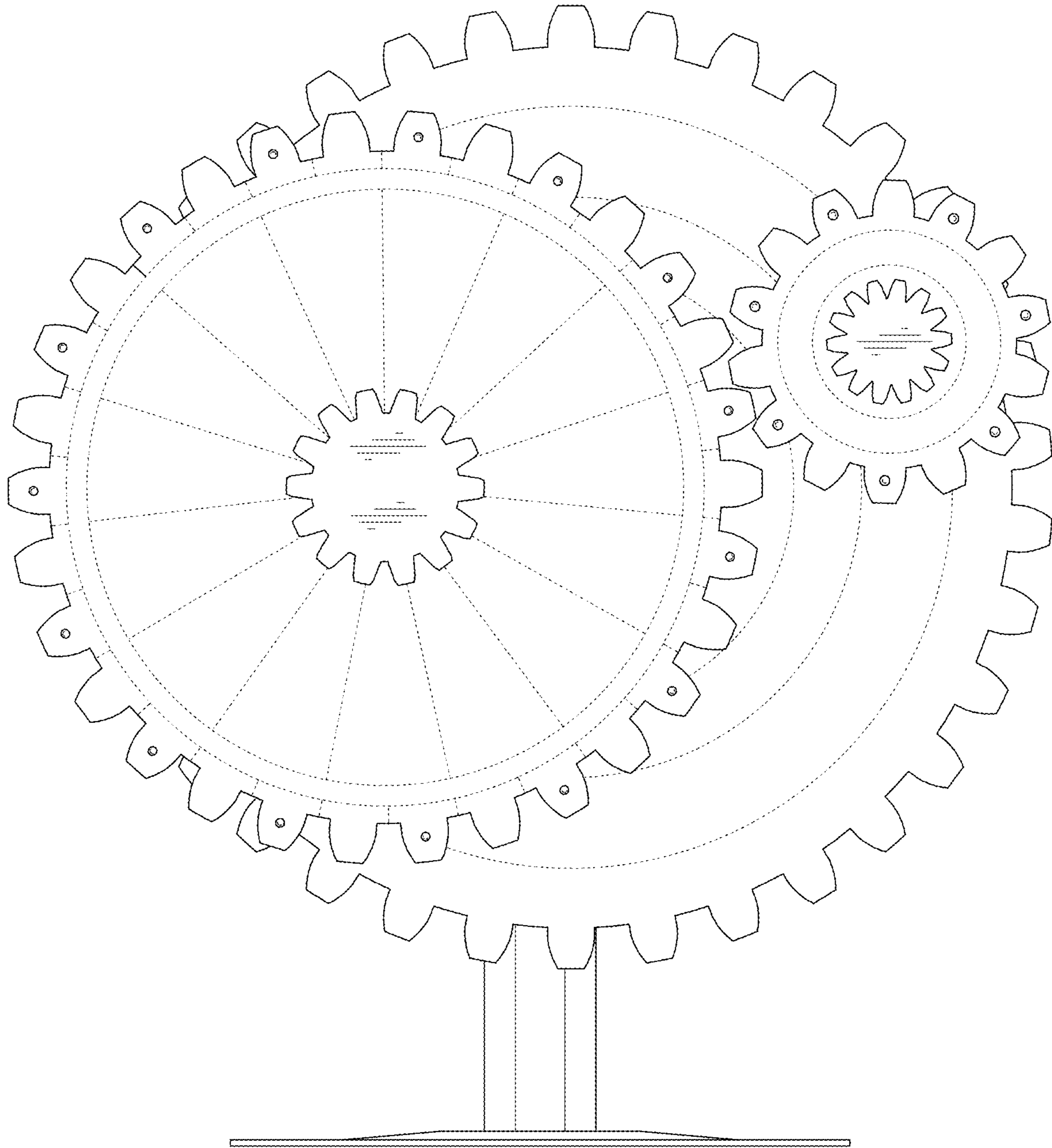


FIG. 2

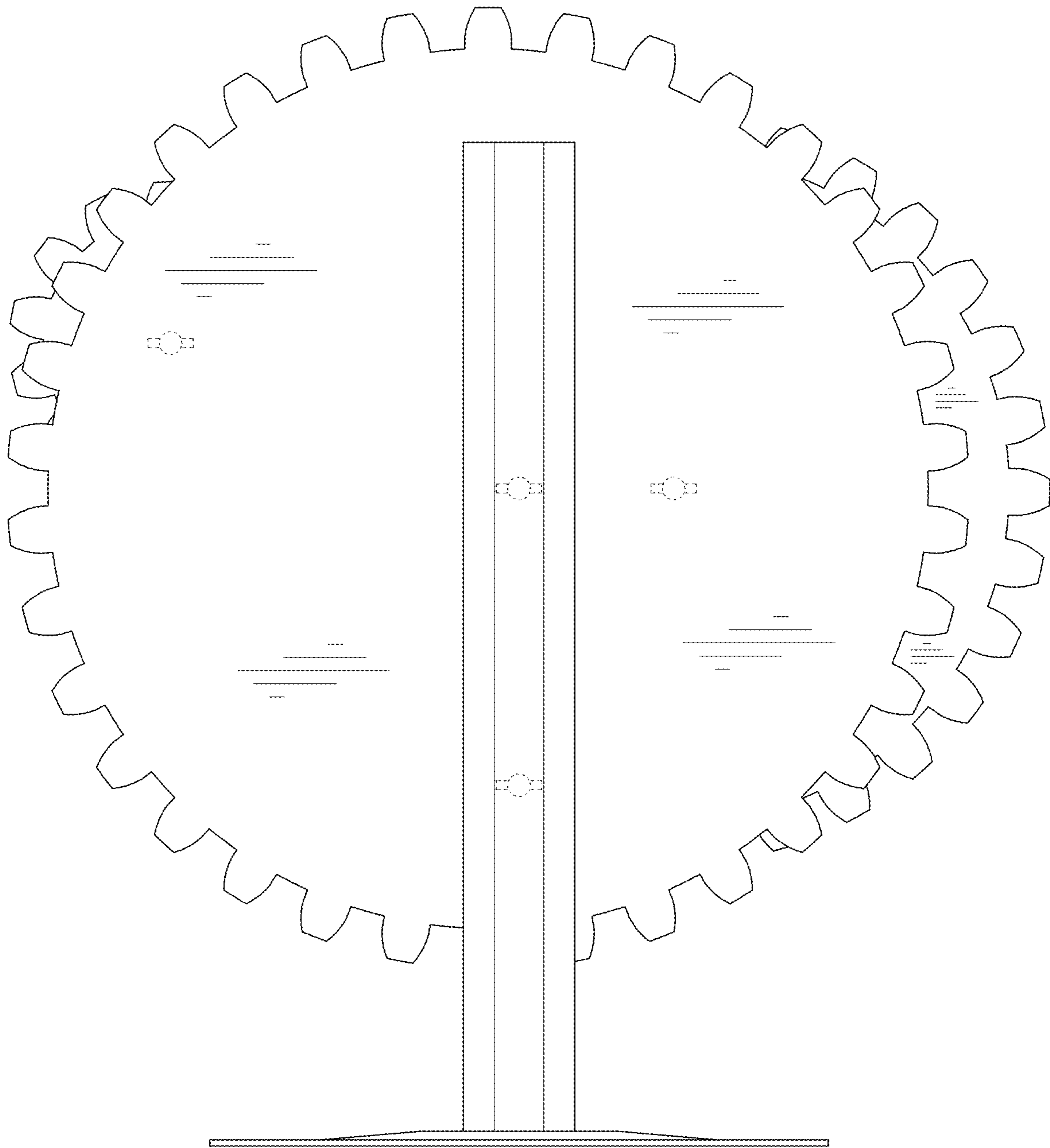


FIG. 3

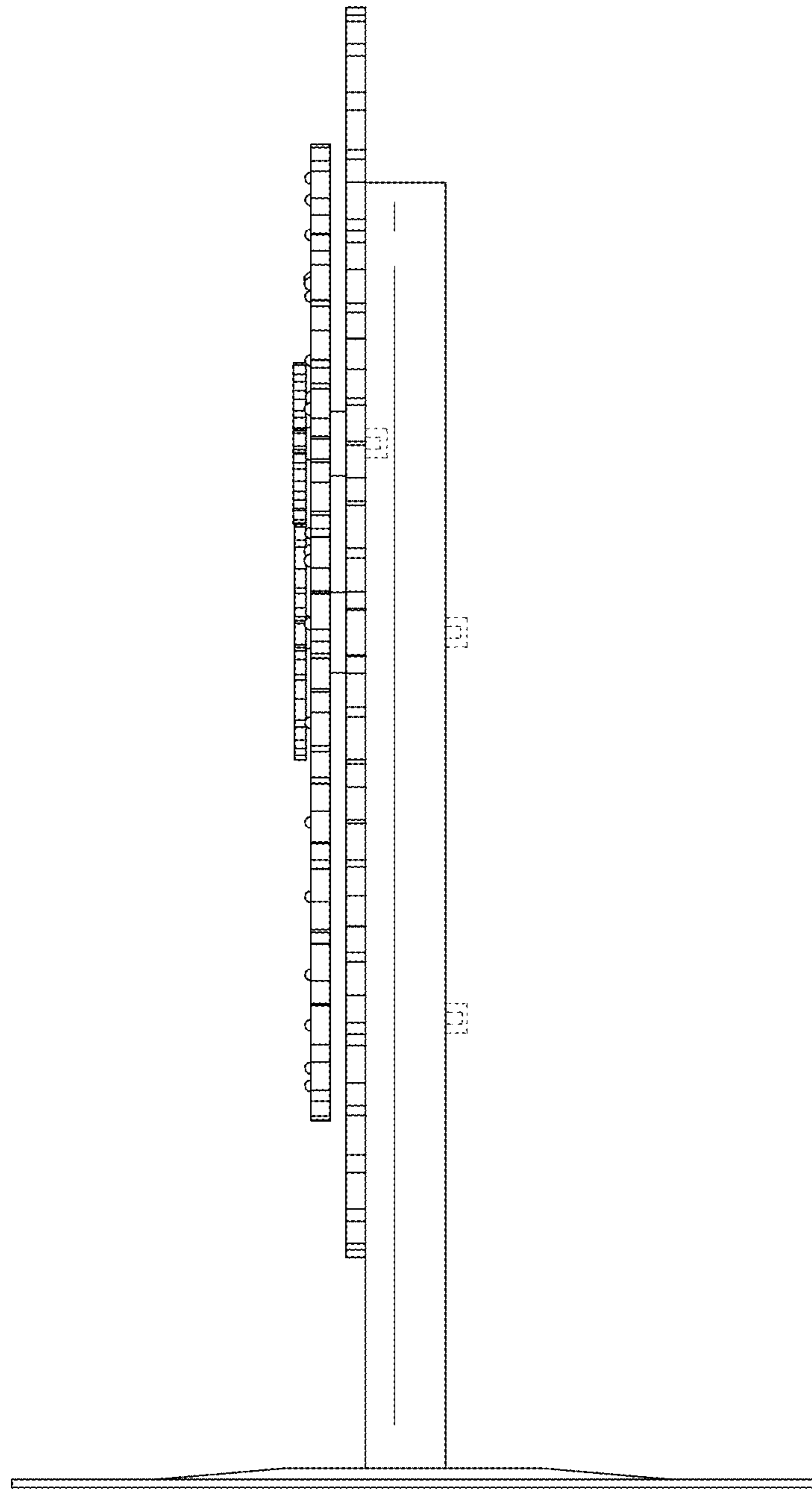


FIG. 4

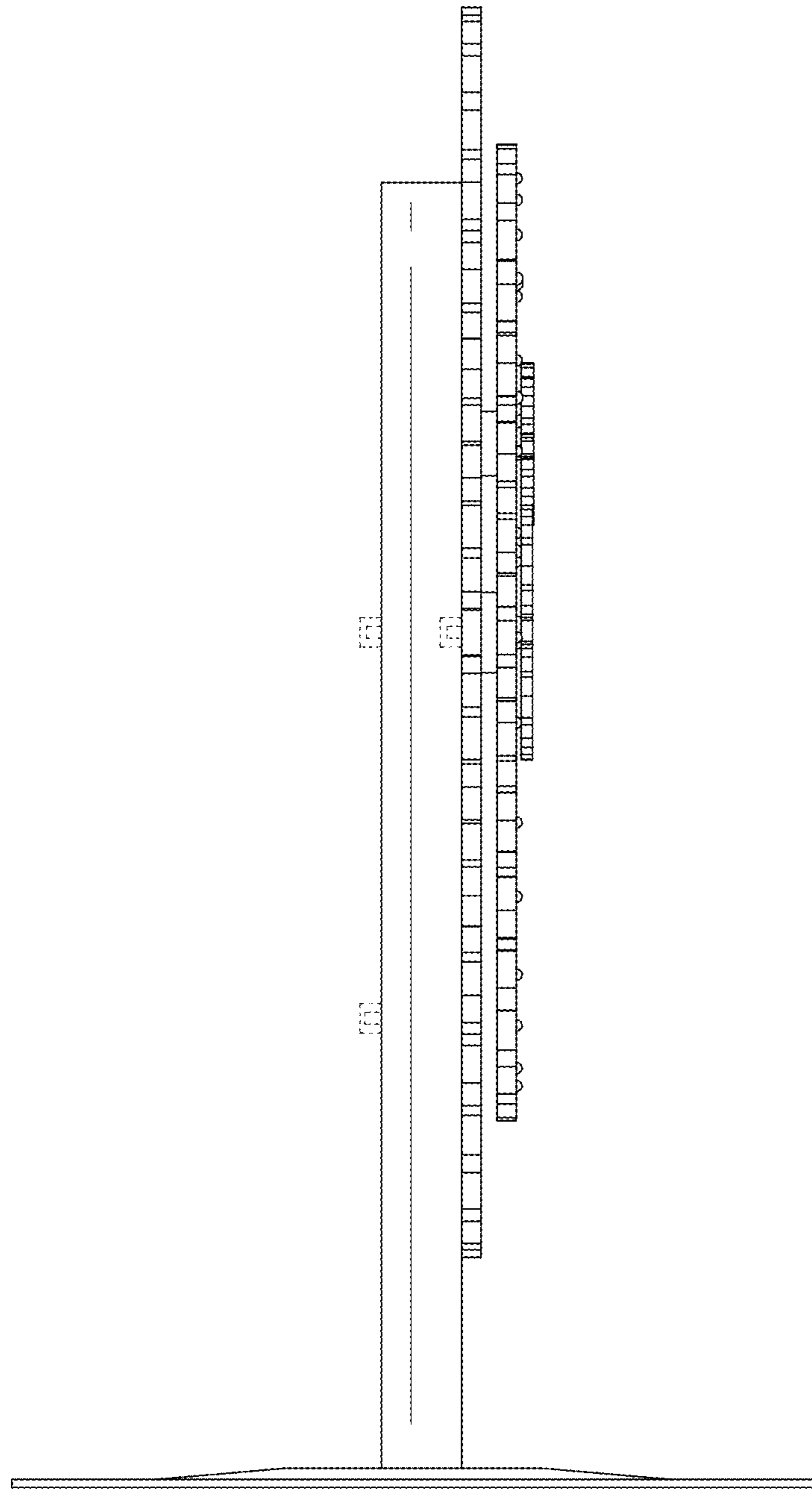


FIG. 5

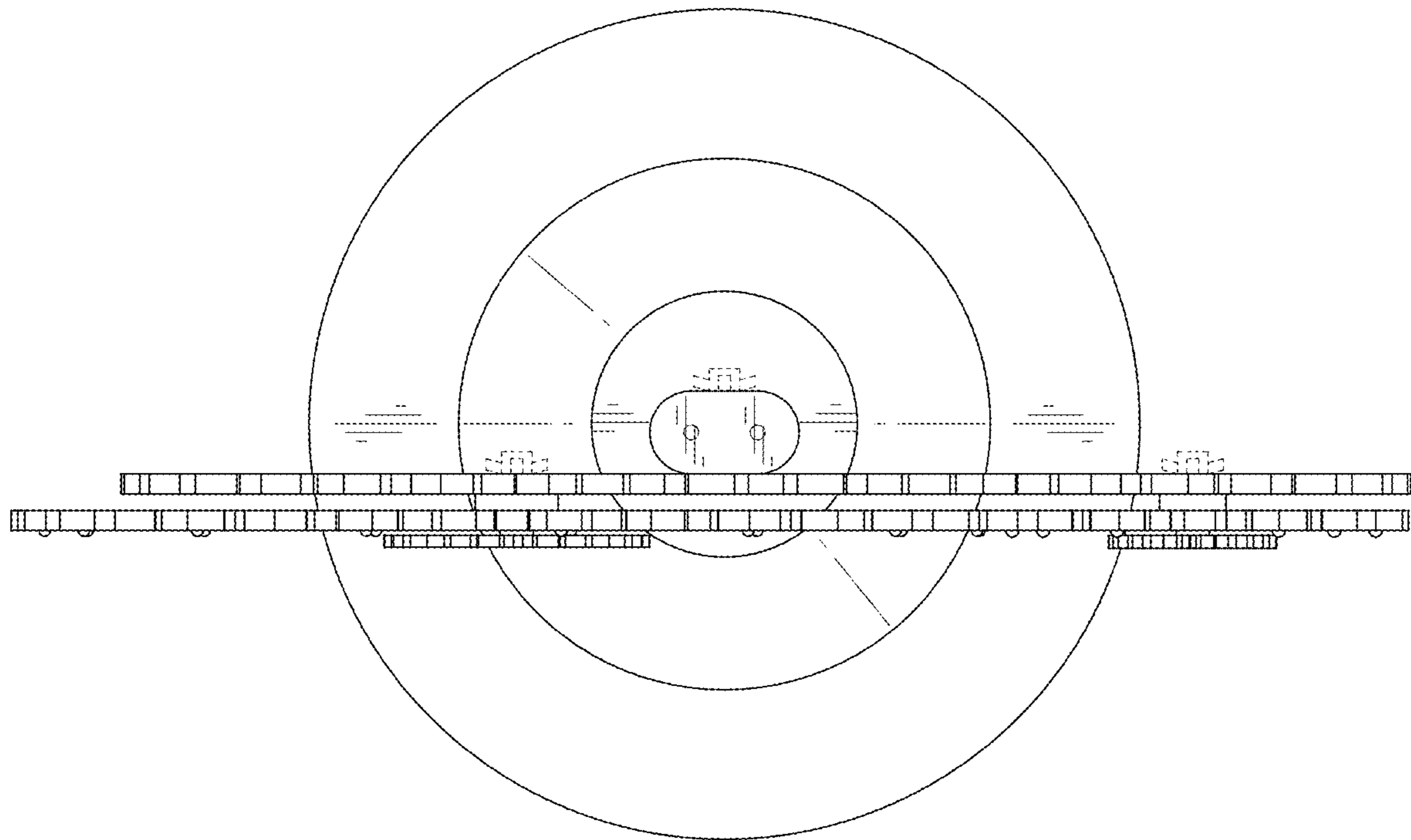


FIG. 6

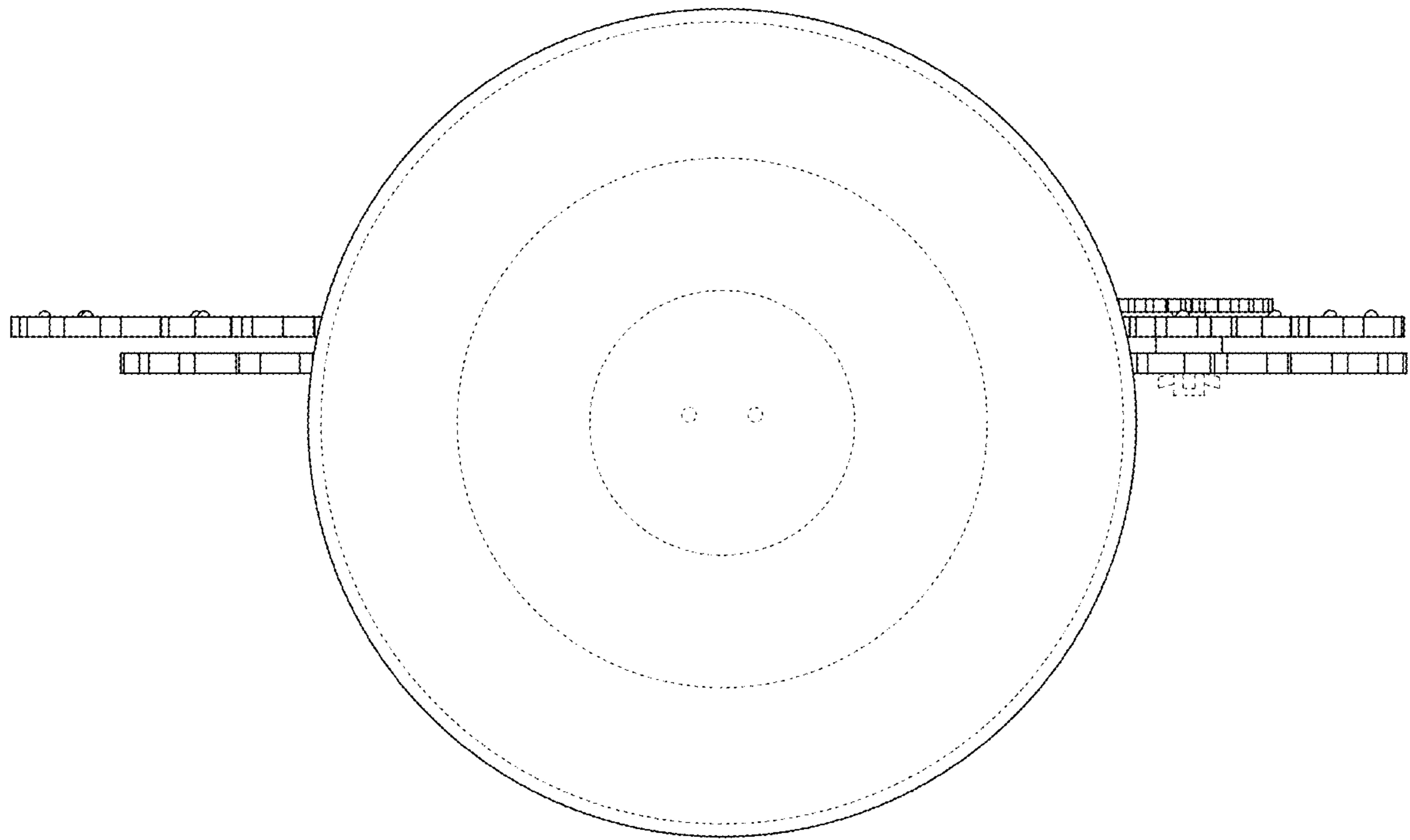


FIG. 7