



US00D916196S

(12) **United States Design Patent**  
**Zhu**

(10) **Patent No.:** **US D916,196 S**  
(45) **Date of Patent:** **\*\* Apr. 13, 2021**

(54) **BUTTON**

(71) Applicant: **Jiarui Zhu**, Zhongshan (CN)

(72) Inventor: **Jiarui Zhu**, Zhongshan (CN)

(\*\*) Term: **15 Years**

(21) Appl. No.: **29/676,138**

(22) Filed: **Jan. 8, 2019**

(51) **LOC (13) Cl.** ..... **21-01**

(52) **U.S. Cl.**

USPC ..... **D21/333**; D14/404

(58) **Field of Classification Search**

USPC ..... D14/218, 388, 389, 414, 401, 413;  
D21/333, 324, 328, 329; D8/300, 307,  
D8/310, 312, 331, 338, 339, 382;  
D23/250, 252; D11/220, 222; D13/174

CPC ..... G05G 9/047; G06F 3/02; G06F 3/033;  
G09G 5/00; A63F 13/12; A63F 13/24;  
A63F 9/00; A63F 11/00; A63F 13/06

See application file for complete search history.

(56) **References Cited**

**U.S. PATENT DOCUMENTS**

D204,461 S *	4/1966	Voker .....	D22/108
D213,623 S *	3/1969	Austin .....	D23/252
D296,353 S *	6/1988	Reid .....	D23/252
D318,905 S *	8/1991	Reid .....	D23/252
D366,910 S *	2/1996	Hsieh .....	D14/412
D371,501 S *	7/1996	James .....	D8/307
D372,854 S *	8/1996	Jimenez .....	D8/307
D415,485 S *	10/1999	Leiter .....	D14/401
D463,828 S *	10/2002	Johnson .....	D21/333
D498,659 S *	11/2004	Huang .....	D8/343
D500,990 S *	1/2005	Gorman .....	D13/174
D522,012 S *	5/2006	Hayes .....	D14/401
D550,632 S *	9/2007	Samuels .....	D13/162
D551,230 S *	9/2007	Lau .....	D14/401
D571,368 S *	6/2008	Salter .....	D14/401
D628,216 S *	11/2010	Ulbrich .....	D15/28
D636,773 S *	4/2011	Lin .....	D14/401

D647,602 S *	10/2011	Jones .....	D23/252
D667,892 S *	9/2012	Burgess .....	D21/333
D711,880 S *	8/2014	Bellinghausen .....	D14/401
D712,847 S *	9/2014	Dorn .....	D13/174
D712,972 S *	9/2014	Sumii .....	D21/333
D715,362 S *	10/2014	He .....	D21/333
D721,078 S *	1/2015	Bellinghausen .....	D14/401
9,017,168 B2 *	4/2015	Lee .....	A63F 13/06 463/37
D733,140 S *	6/2015	Sumii .....	D14/401
D741,863 S *	10/2015	Hoock .....	D14/413
D764,597 S *	8/2016	Kujawski .....	D21/333
D766,374 S *	9/2016	Kujawski .....	D21/333

(Continued)

**OTHER PUBLICATIONS**

eXtremeRate Textured Black Dawn Programmable Remap Kit for PS4 Controller with Upgrade Board & Redesigned Back Shell & 4 Back Buttons; Mar. 26, 2019 ; 3 pgs. [https://www.amazon.com/eXtremeRate-Programmable-Controller-Redesigned-PlayStation-4/dp/B07Q2SJQX4/ref=sr\\_1\\_1?dchild=1&keywords=eXtremeRate+Textured+Black+Dawn.\\*](https://www.amazon.com/eXtremeRate-Programmable-Controller-Redesigned-PlayStation-4/dp/B07Q2SJQX4/ref=sr_1_1?dchild=1&keywords=eXtremeRate+Textured+Black+Dawn.*)

*Primary Examiner* — Selina Sikder

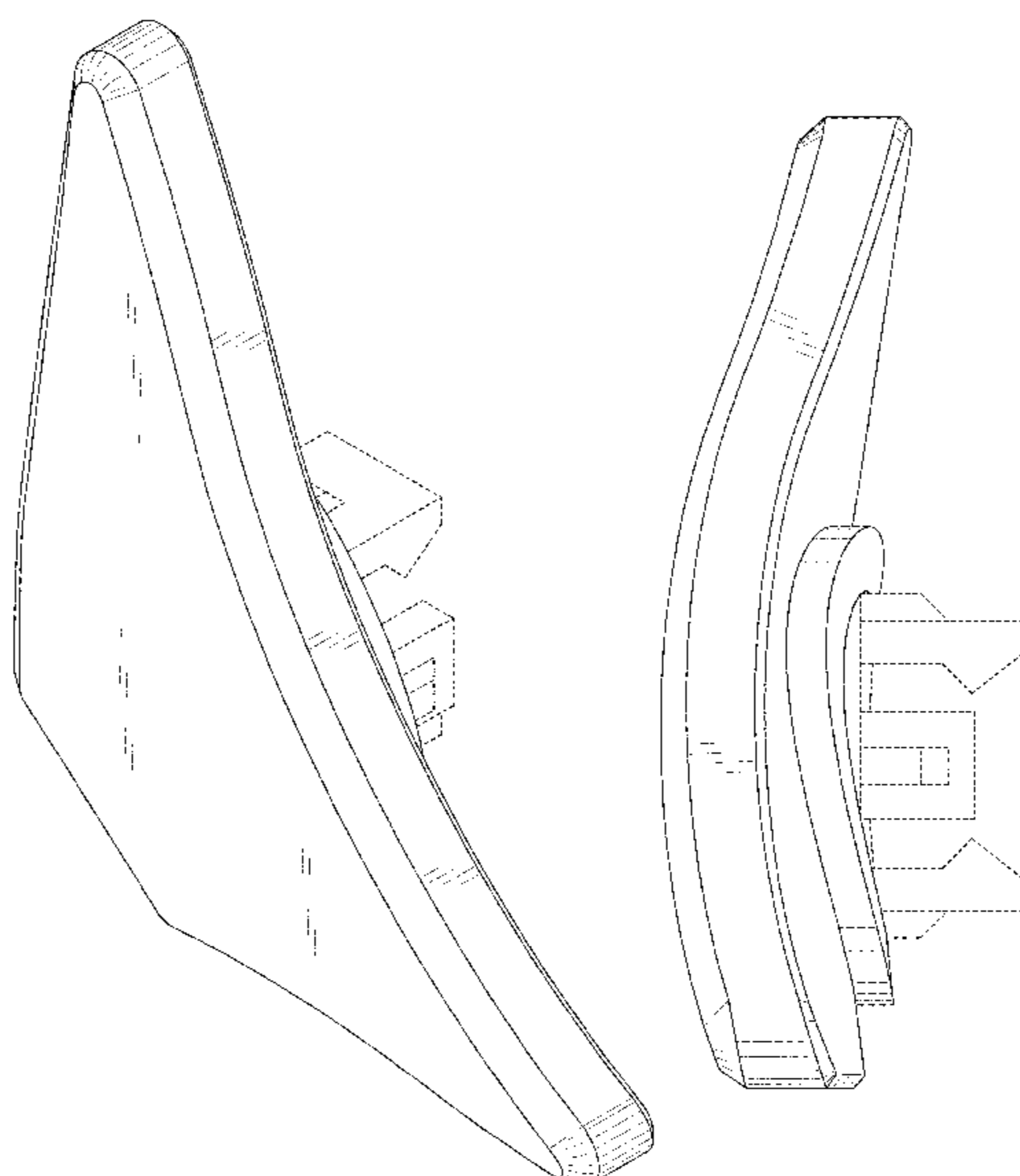
(57) **CLAIM**

The ornamental design for a button, as shown and described.

**DESCRIPTION**

FIG. 1 is a front perspective view of the button showing my new design;  
FIG. 2 is a rear perspective view thereof;  
FIG. 3 is a front elevational view thereof;  
FIG. 4 is a rear elevational view thereof;  
FIG. 5 is a left side elevational view thereof;  
FIG. 6 is a right side elevational view thereof;  
FIG. 7 is a top plan view thereof; and,  
FIG. 8 is a bottom plan view thereof.  
The broken lines on the figures depict the structure that forms no part of the claimed design.

**1 Claim, 7 Drawing Sheets**



(56)

**References Cited**

U.S. PATENT DOCUMENTS

D766,375	S *	9/2016	Kujawski .....	D21/333
D767,684	S *	9/2016	Kujawski .....	D21/333
D774,596	S *	12/2016	Kujawski .....	D21/333
D775,449	S *	12/2016	Babel .....	D34/35
D777,120	S *	1/2017	Takahashi .....	D13/174
D784,986	S *	4/2017	Kujawski .....	D14/401
D791,568	S *	7/2017	Ferrise .....	D8/311
D794,024	S *	8/2017	Kujawski .....	D14/401
D794,025	S *	8/2017	Kujawski .....	D14/401
D816,083	S *	4/2018	Wu .....	D14/401
D816,169	S *	4/2018	Trujillo .....	D21/333
D828,310	S *	9/2018	Luke .....	D13/174
D844,514	S *	4/2019	Wagner .....	D12/179
D868,561	S *	12/2019	Bertani .....	D8/307
10,605,354	B2 *	3/2020	Kim .....	F16H 59/02
D881,283	S *	4/2020	Ironmonger .....	D21/333
D882,692	S *	4/2020	Tsuchiya .....	D21/333
2005/0215321	A1 *	9/2005	Hussaini .....	A63F 13/24
				463/37
2017/0151494	A1 *	6/2017	Ironmonger .....	A63F 13/22
2018/0250587	A1 *	9/2018	Strahle .....	A63F 13/25
2020/0222799	A1 *	7/2020	Chang .....	A63F 13/24
2020/0312582	A1 *	10/2020	R .....	B60K 35/00

\* cited by examiner

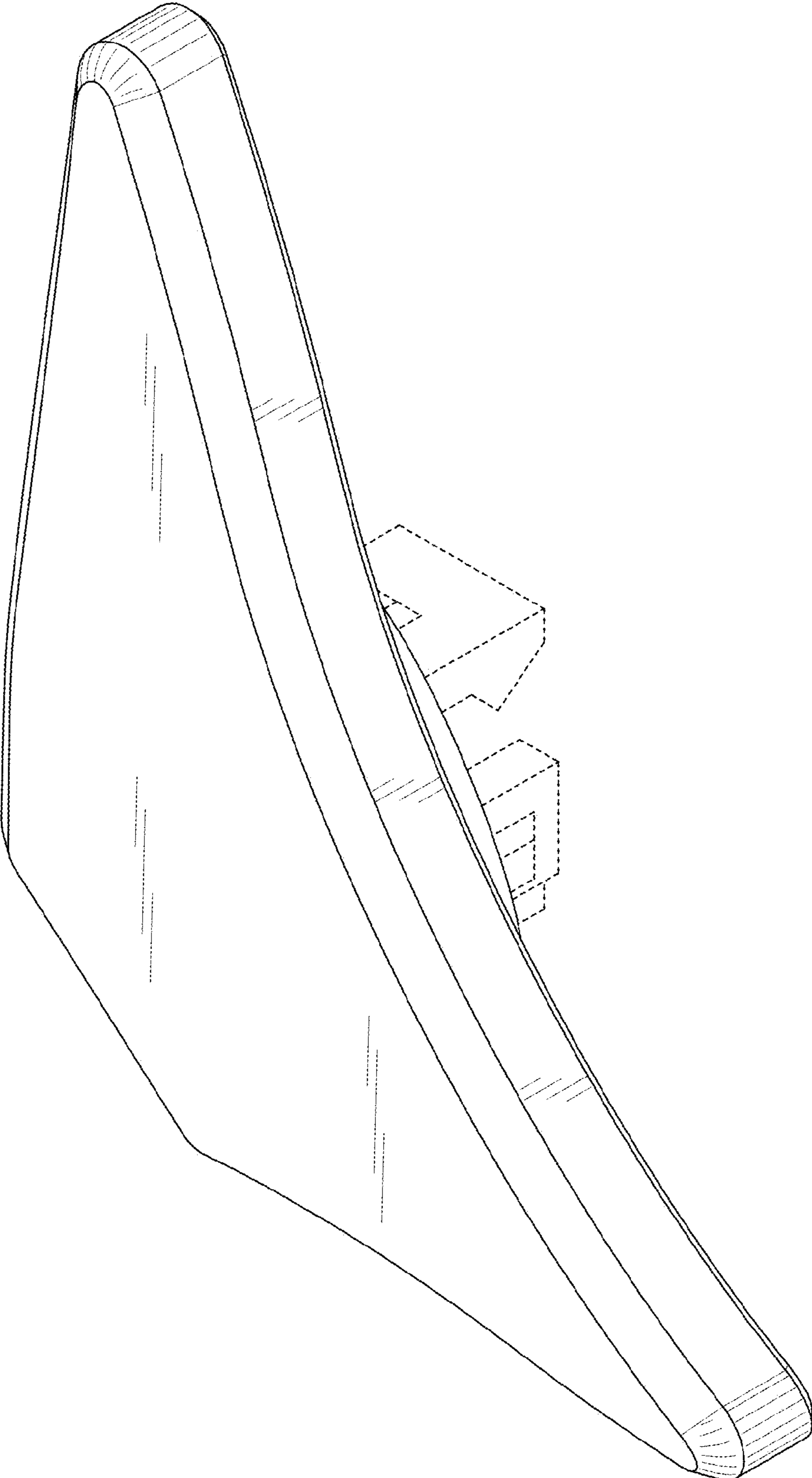


FIG. 1

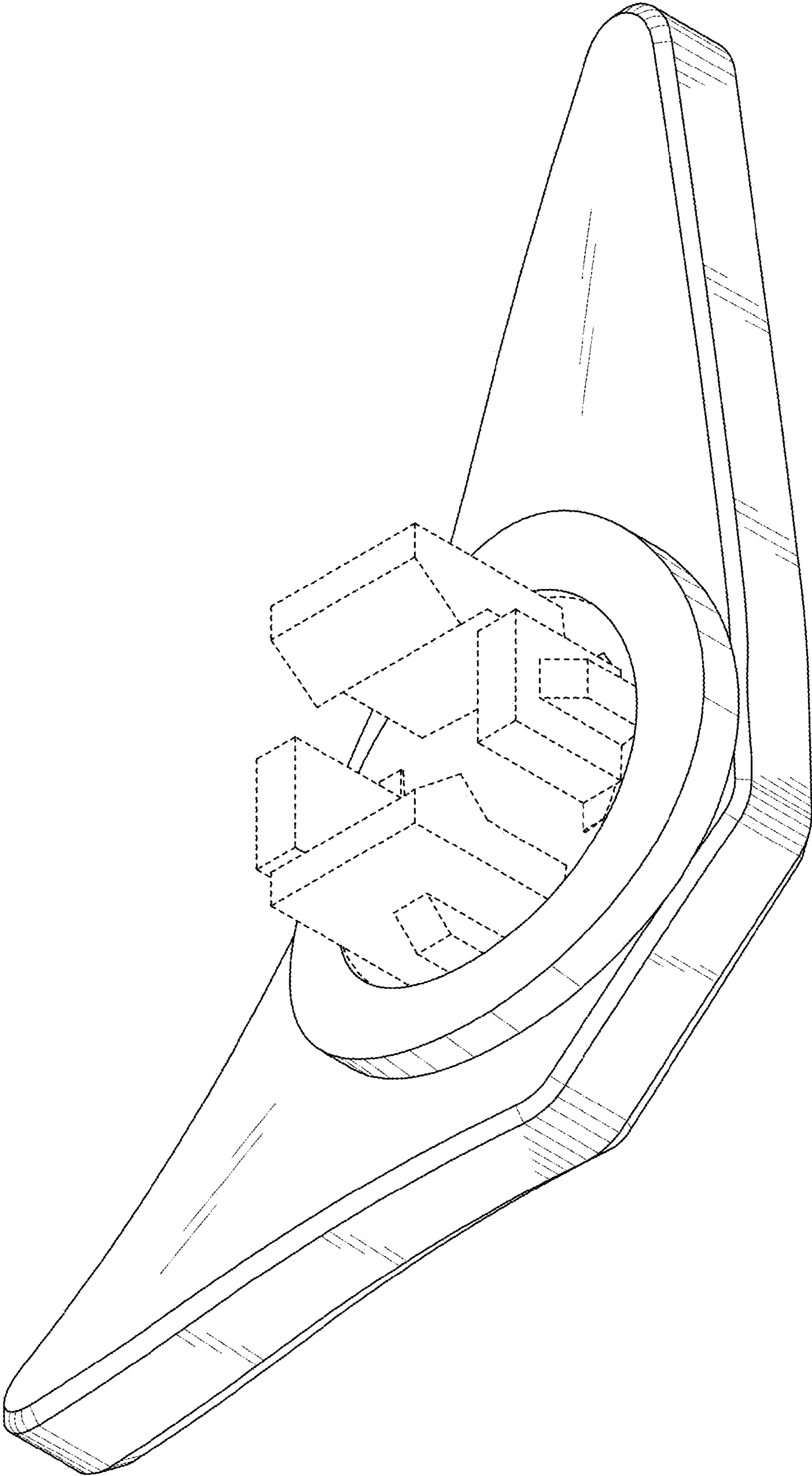


FIG. 2



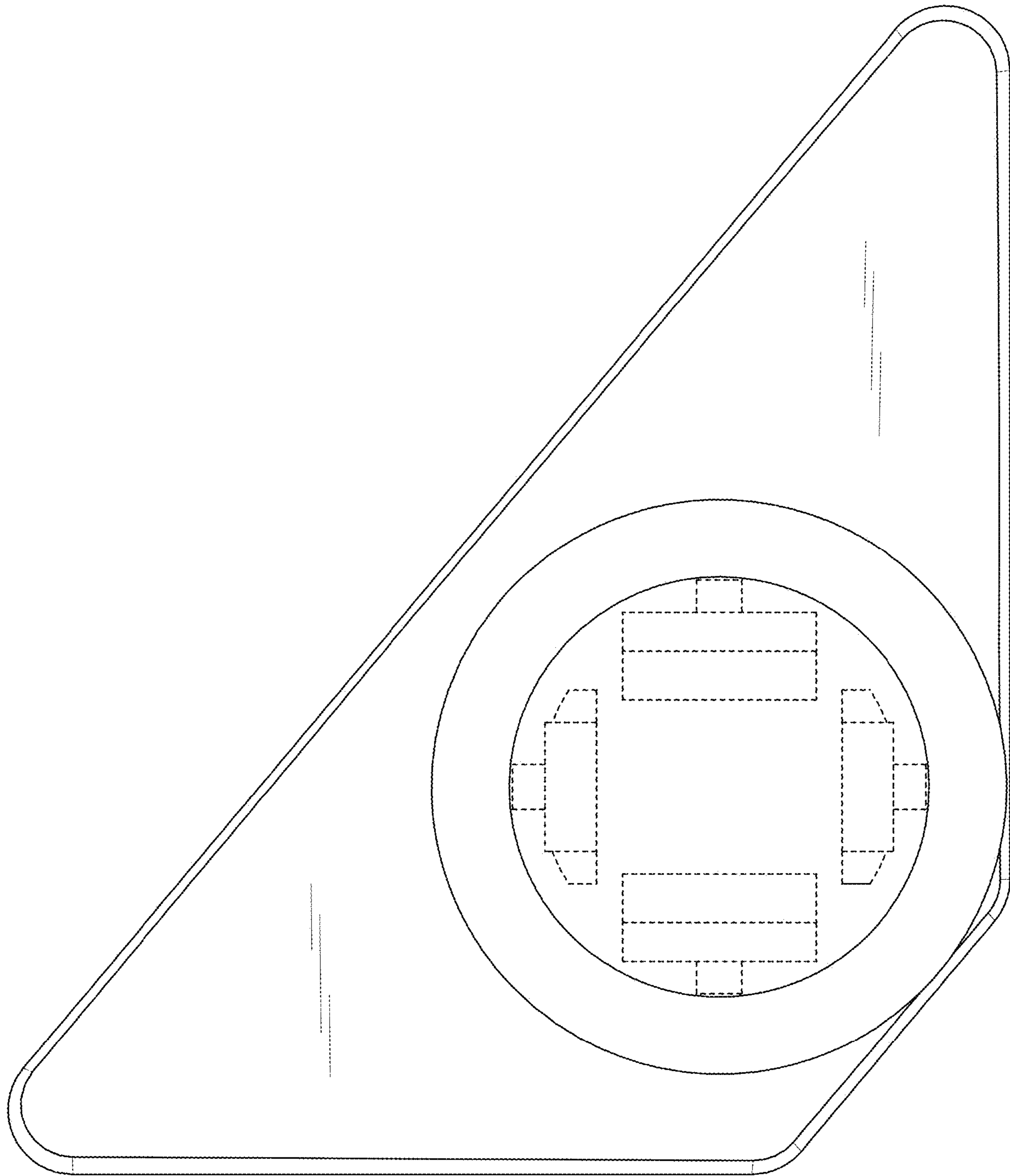


FIG. 3

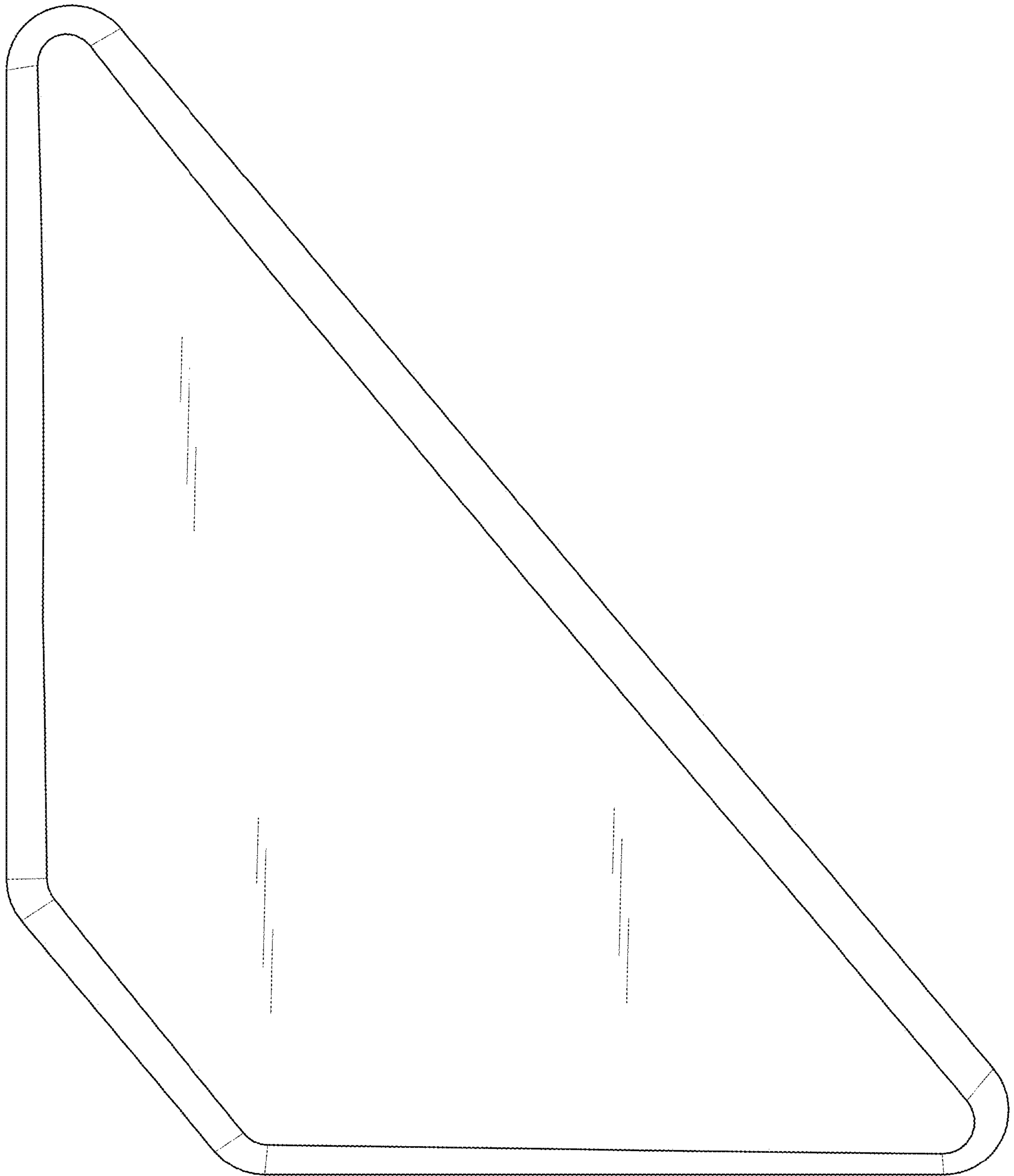


FIG. 4

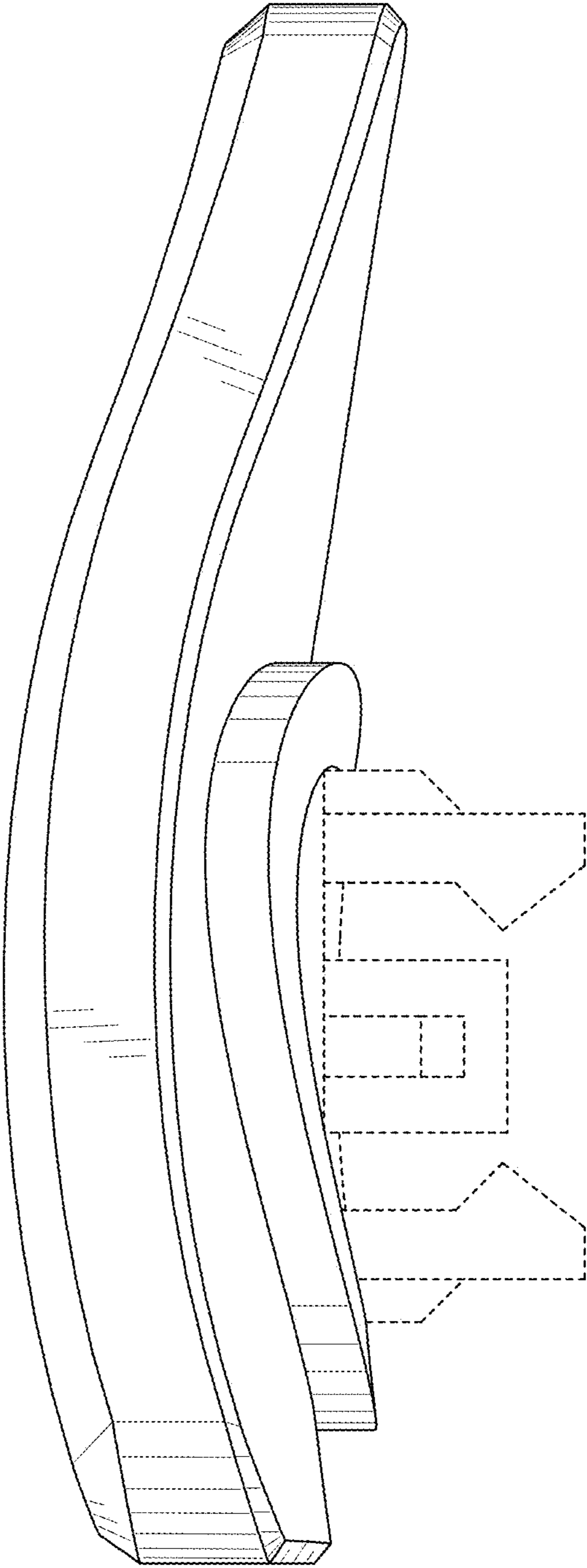


FIG. 5

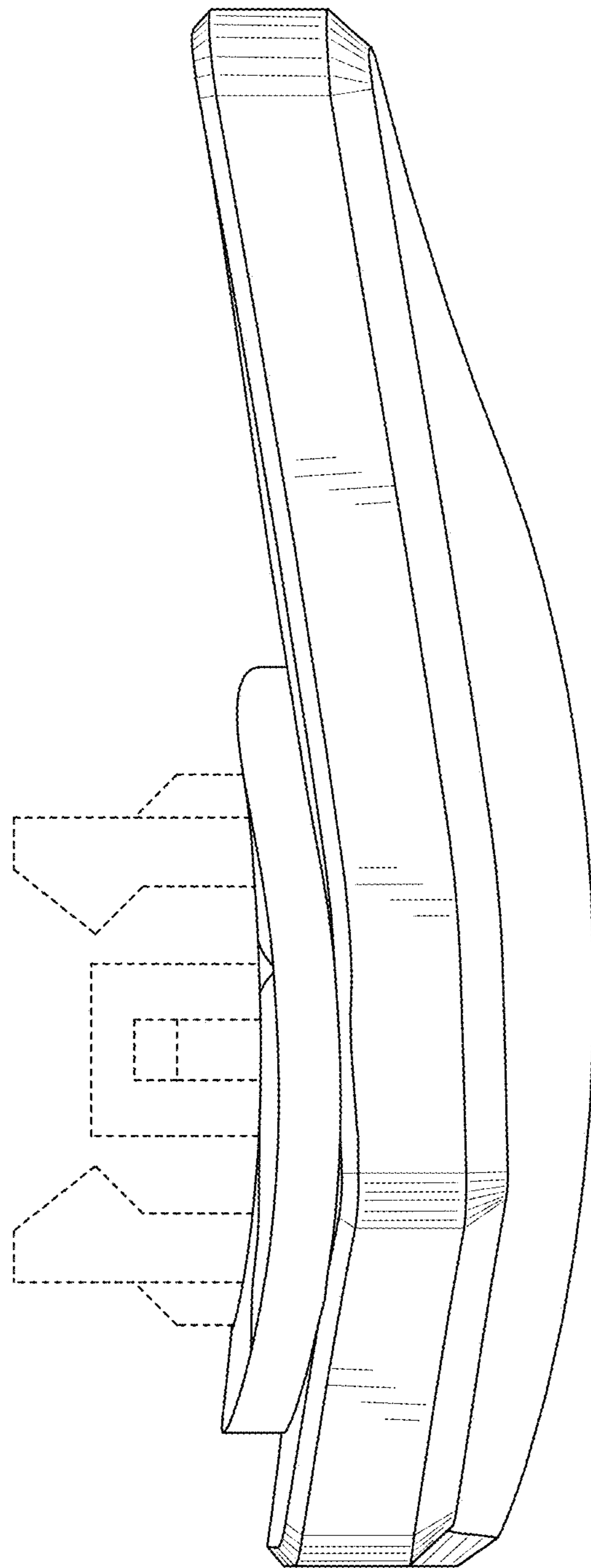


FIG. 6



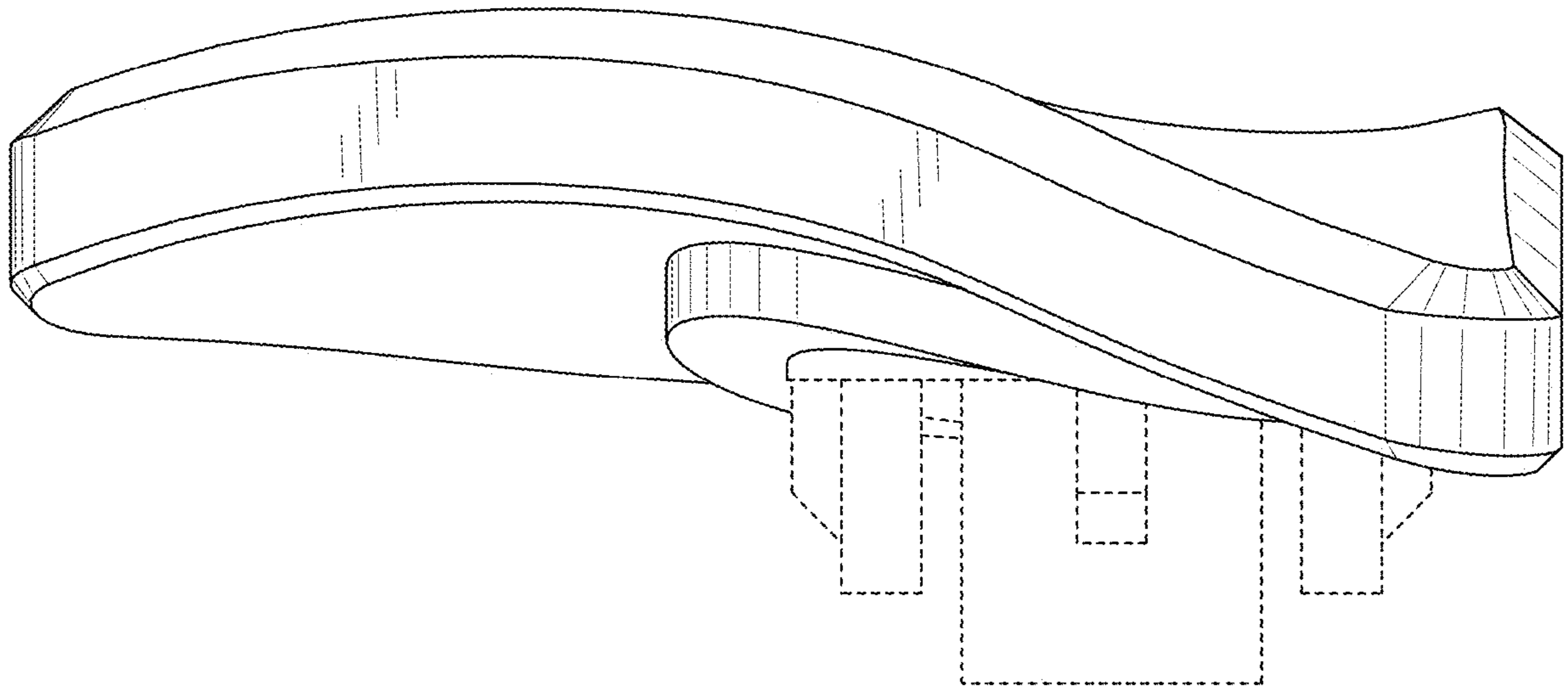


FIG. 7

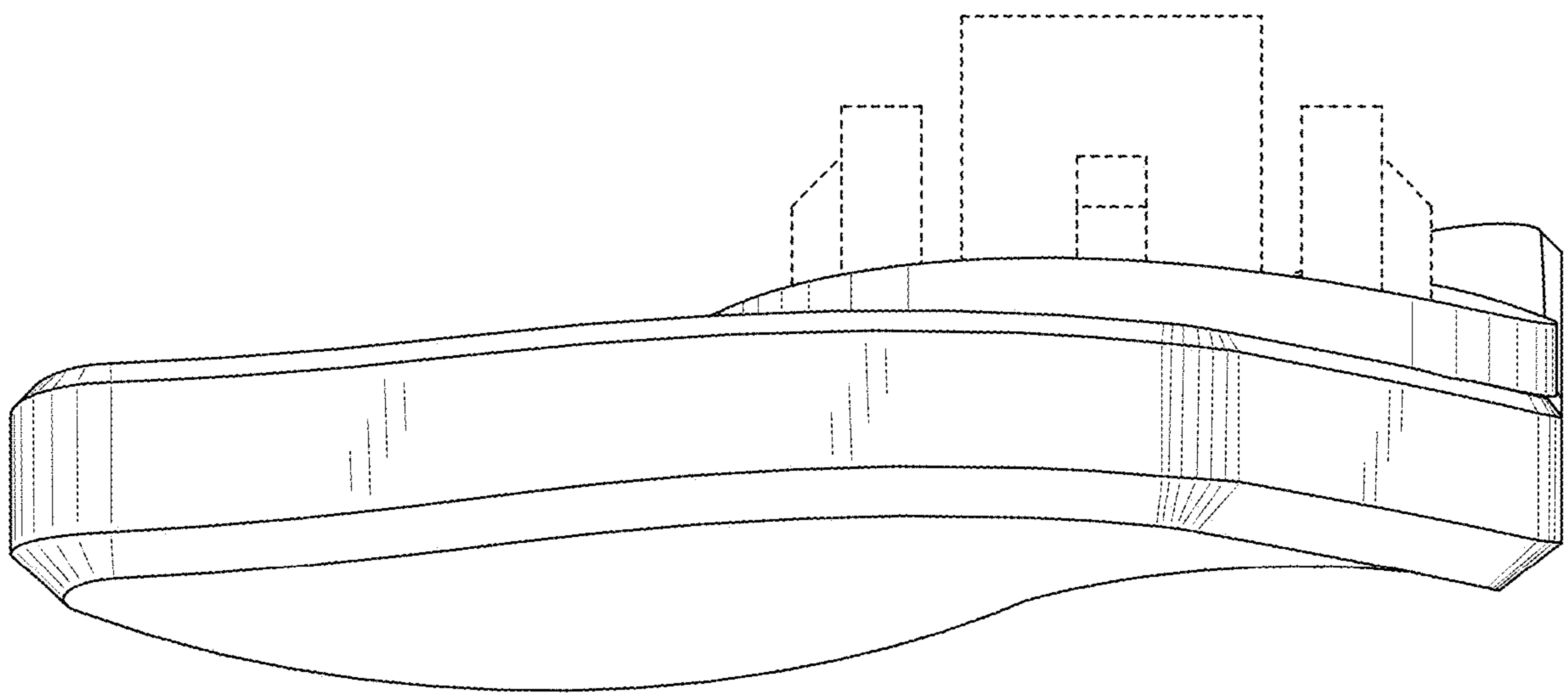


FIG. 8