



US00D916193S

(12) **United States Design Patent**
Masek et al.

(10) **Patent No.:** **US D916,193 S**
(45) **Date of Patent:** **** Apr. 13, 2021**

- (54) **SIGN HOLDER**
- (71) Applicant: **K-International, Inc.**, Waukegan, IL (US)
- (72) Inventors: **Ryan Masek**, Volo, IL (US); **Michael J. White**, Green Lake, WI (US)
- (73) Assignee: **K-International, Inc.**, Waukegan, IL (US)

- 5,274,966 A * 1/1994 Daley E06B 5/01 182/81
- 5,791,080 A * 8/1998 Hamano G09F 3/204 40/642.02
- 5,816,550 A * 10/1998 Watanabe G09F 3/204 248/222.11
- D424,121 S * 5/2000 Kump D20/43
- 6,189,248 B1 * 2/2001 Nagel G09F 3/204 248/222.51
- 6,354,546 B1 3/2002 Mueller
- 6,491,468 B1 * 12/2002 Hagen E04B 1/6803 277/316

- (**) Term: **15 Years**
- (21) Appl. No.: **29/745,063**
- (22) Filed: **Aug. 3, 2020**

(Continued)

Primary Examiner — Mary Ann Calabrese
Assistant Examiner — Catherine Ho
(74) *Attorney, Agent, or Firm* — Schiff Hardin LLP

Related U.S. Application Data

- (63) Continuation of application No. 16/515,359, filed on Jul. 18, 2019.
- (51) **LOC (13) Cl.** **20-03**
- (52) **U.S. Cl.**
USPC **D20/43**
- (58) **Field of Classification Search**
USPC D6/325, 328; D8/321, 349, 354, 355, D8/366, 371, 373, 380, 381, 400; D20/10, 42-44, 99; D25/119
CPC G09F 7/16; G09F 2007/122; G09F 13/00; G09F 13/04; G09F 13/06; G09F 13/18; G09F 13/22; G09F 13/24; G09F 13/26; G09F 2013/1895; G09F 15/00; B29C 65/52; B29C 65/56; B23P 19/00; B32B 37/02; B32B 38/00
See application file for complete search history.

(57) **CLAIM**

The ornamental design for a sign holder, as shown and described.

DESCRIPTION

FIG. 1 is top, front, left-side perspective view of a sign holder, showing our new design in an environment of use; FIG. 2 is a bottom, back, left-side perspective view thereof; FIG. 3 is a top, back, right-side perspective view thereof; FIG. 4 is a top, front, left-side perspective view thereof; FIG. 5 is a bottom, back, left-side perspective view thereof; FIG. 6 is a top plan view thereof; FIG. 7 is a bottom plan view thereof; FIG. 8 is a front elevational view thereof; FIG. 9 is a back elevational view thereof; FIG. 10 is a left-side elevational view thereof; and, FIG. 11 is a right-side elevational view thereof.

The broken lines in FIG. 1 shows portions of the sign holder and the environment, each of which form no part of the claimed design.

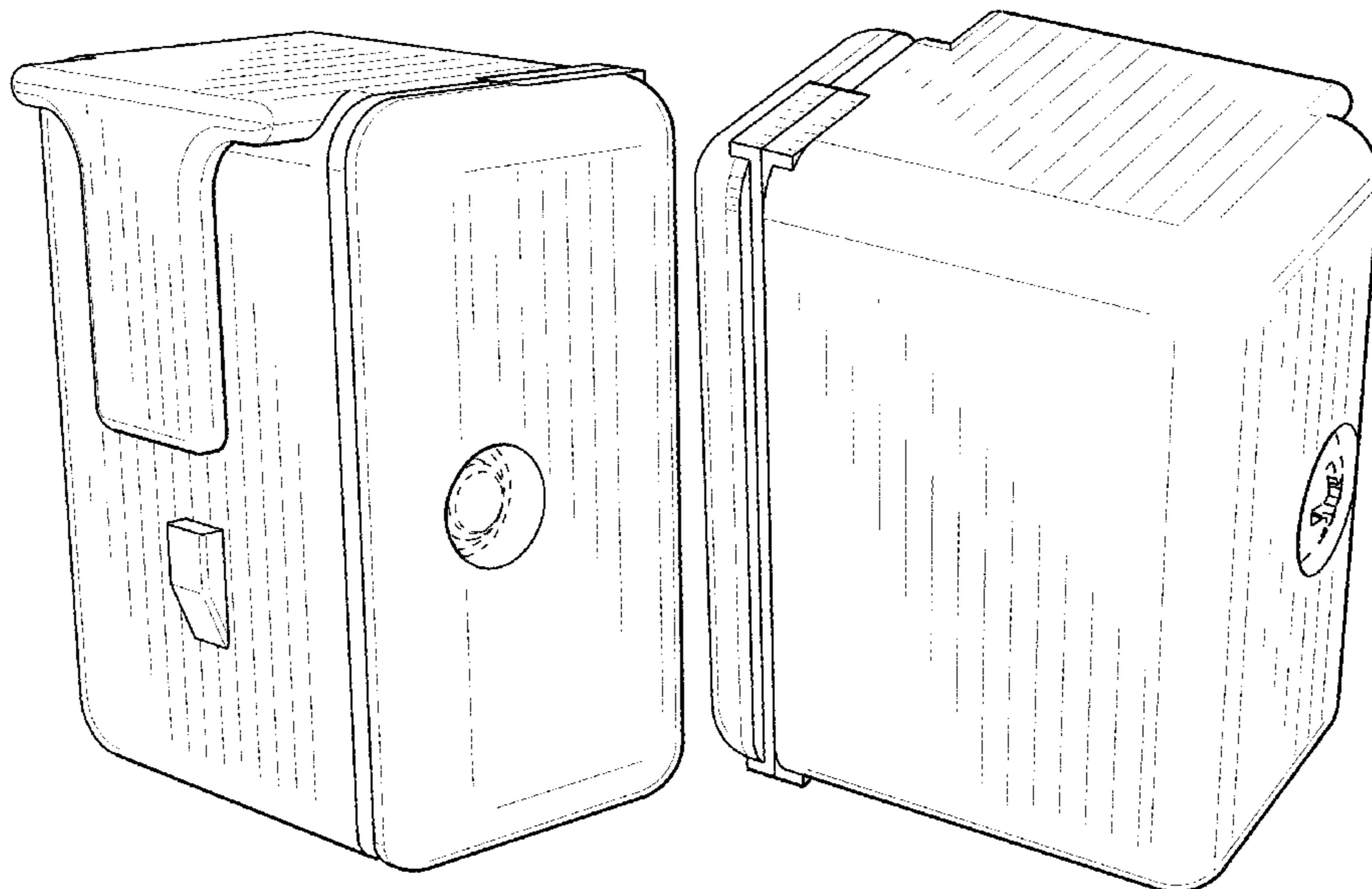
The broken lines in FIGS. 2-11 depict portions of the sign holder that form no part of the claimed design.

(56) **References Cited**

U.S. PATENT DOCUMENTS

- 541,114 A 6/1895 Nolan
- 3,928,894 A 12/1975 Bury et al.

1 Claim, 6 Drawing Sheets



(56)

References Cited

U.S. PATENT DOCUMENTS

D697,391 S * 1/2014 Le D8/382
9,754,515 B2 * 9/2017 Nicolis G09F 7/18
D829,823 S * 10/2018 White D20/43
D863,048 S * 10/2019 White D8/381
D897,179 S * 9/2020 Underwood D8/71
2002/0029505 A1 3/2002 Faneuf
2005/0076553 A1 4/2005 Kim
2007/0163971 A1 7/2007 Kosir
2009/0140112 A1 6/2009 Carnevali
2009/0200441 A1 * 8/2009 Kuhn A47F 5/0815
248/206.5
2009/0266951 A1 * 10/2009 Phillips, Sr. A47F 5/0807
248/206.5
2009/0320267 A1 * 12/2009 Stewart G06F 1/185
29/428
2011/0192512 A1 8/2011 Barnes
2011/0214324 A1 9/2011 White
2012/0312944 A1 12/2012 Anderson
2017/0231384 A1 * 8/2017 Erlandsson A47B 96/061
248/243
2017/0268548 A1 9/2017 Pountney
2018/0322815 A1 11/2018 White

* cited by examiner

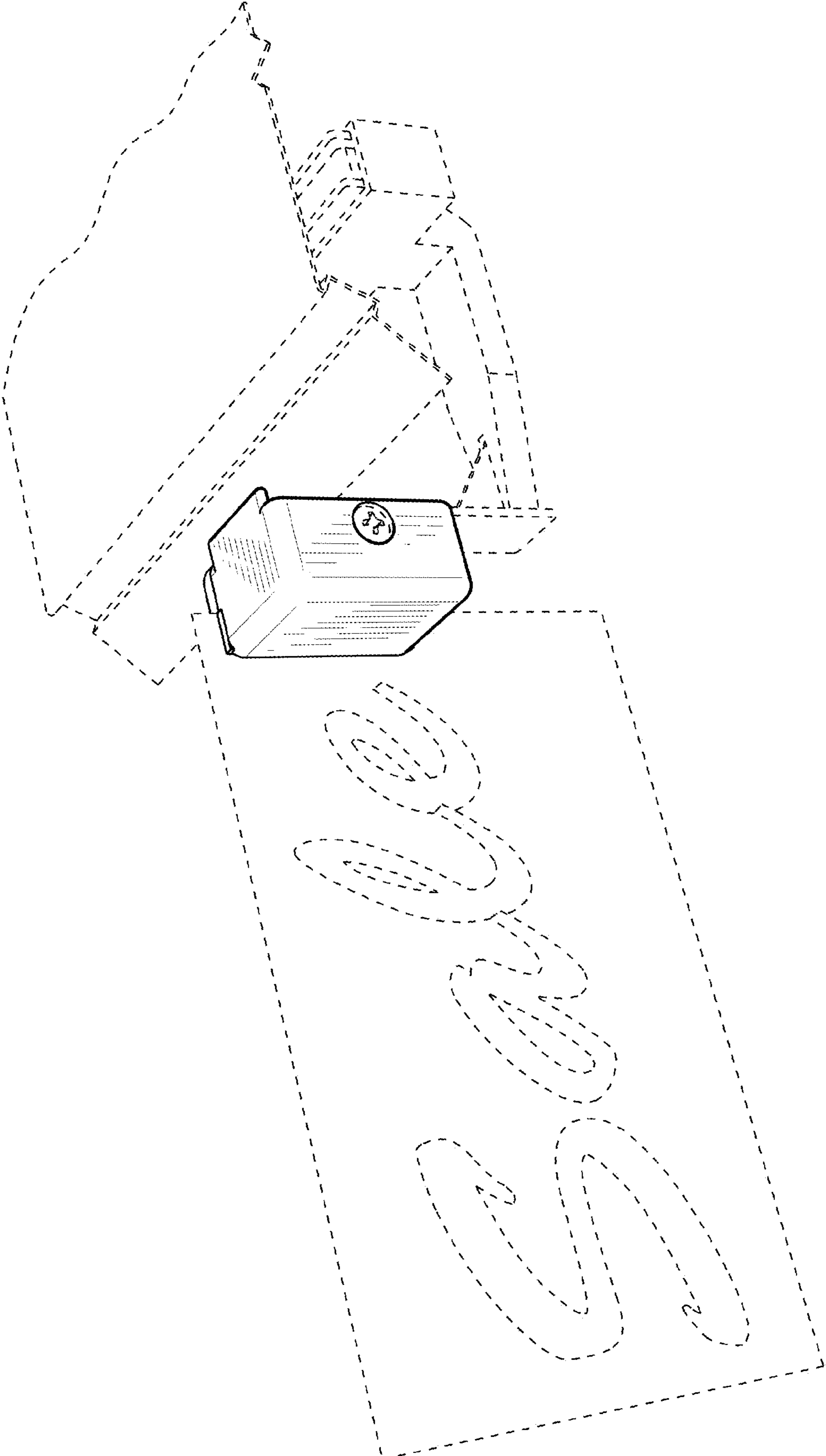


FIG. 1

FIG. 3

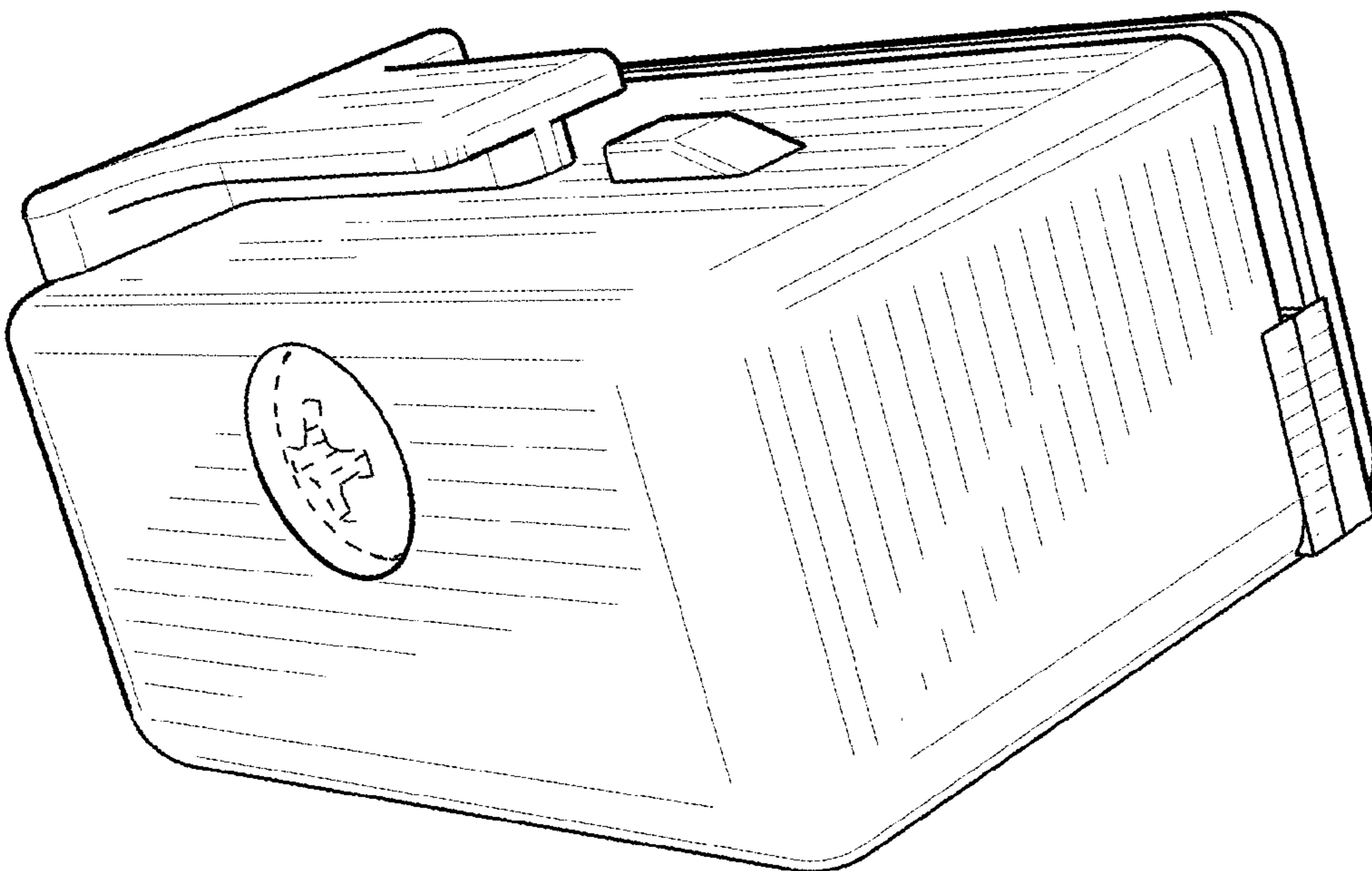
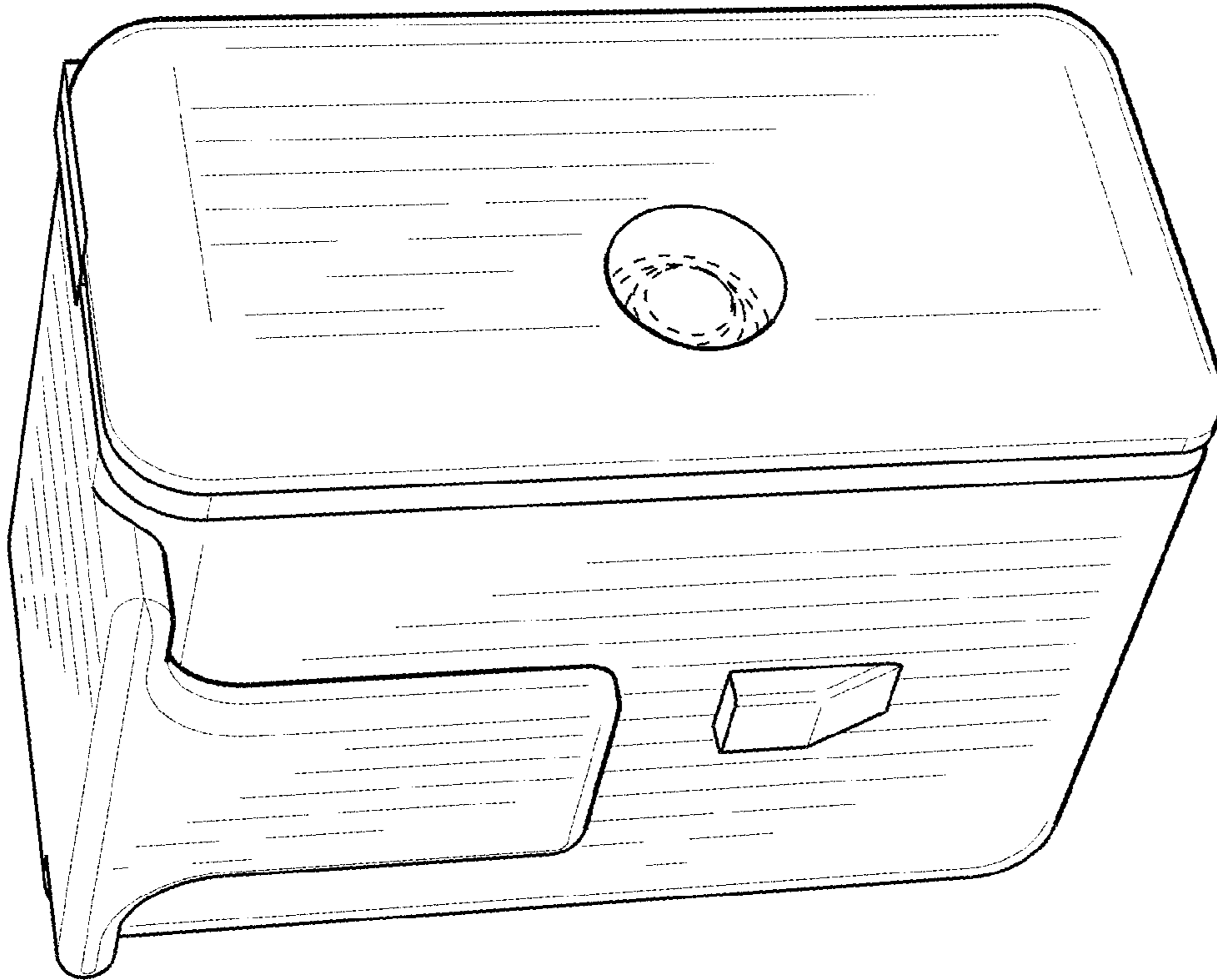


FIG. 2

FIG. 5

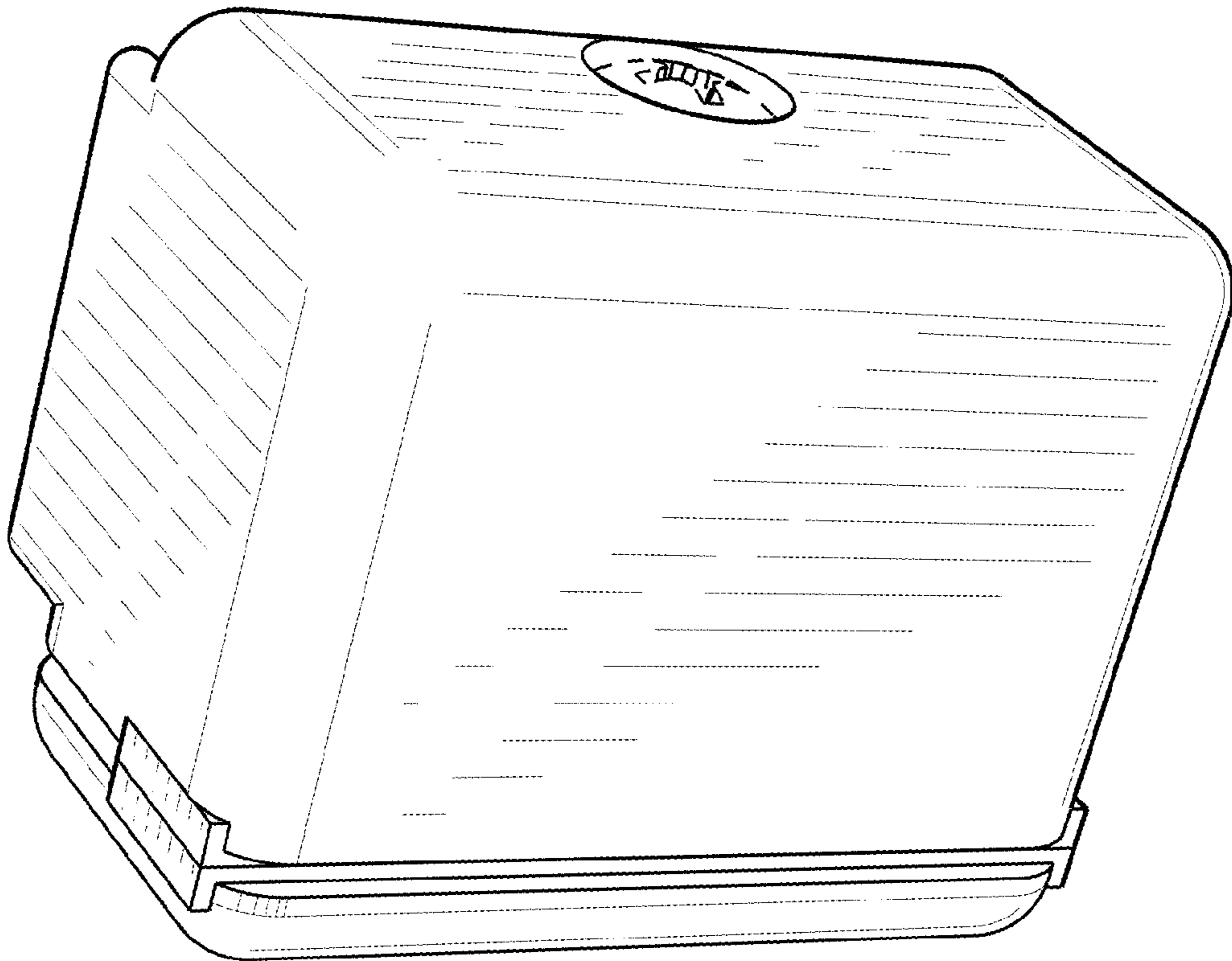
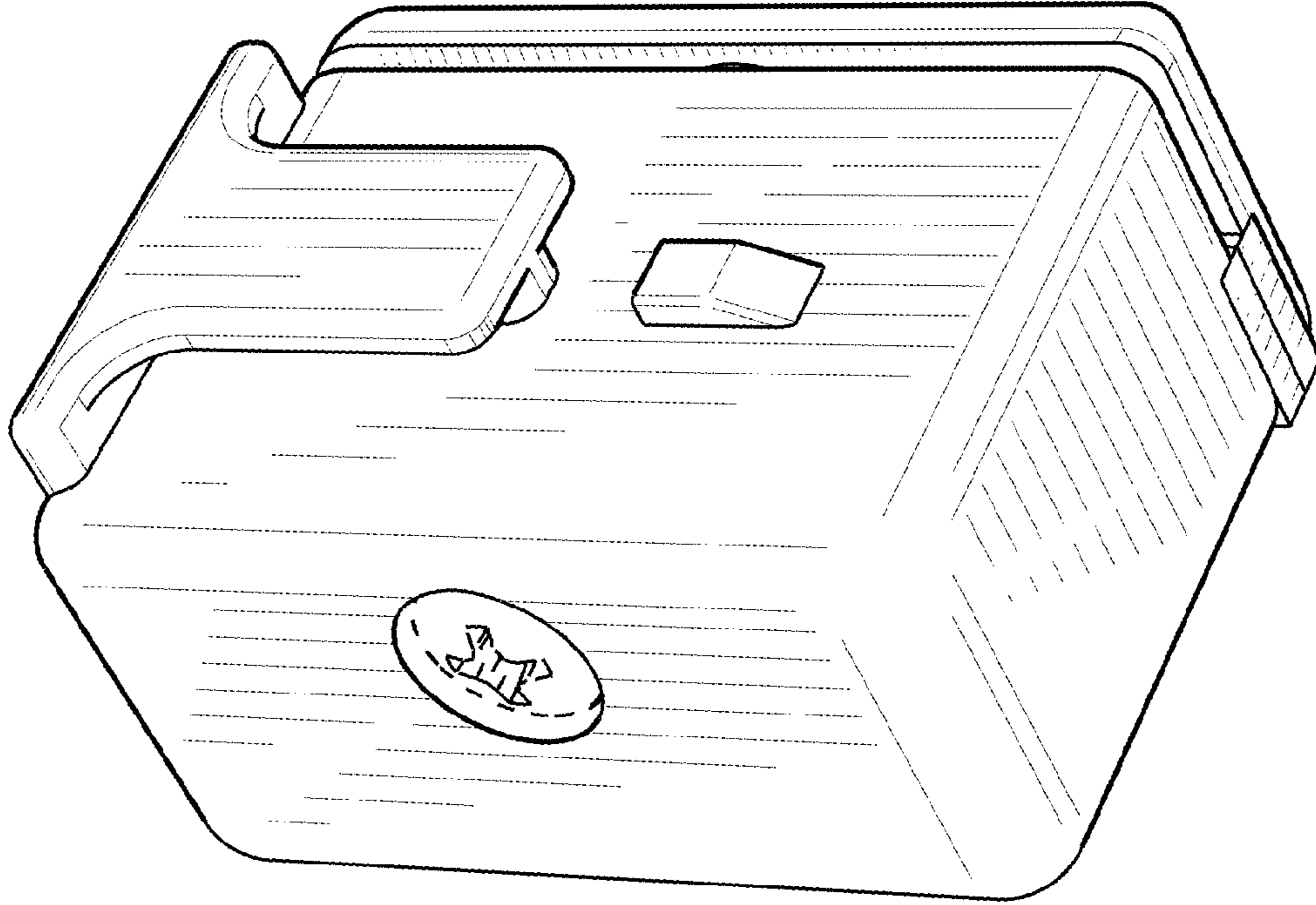


FIG. 4

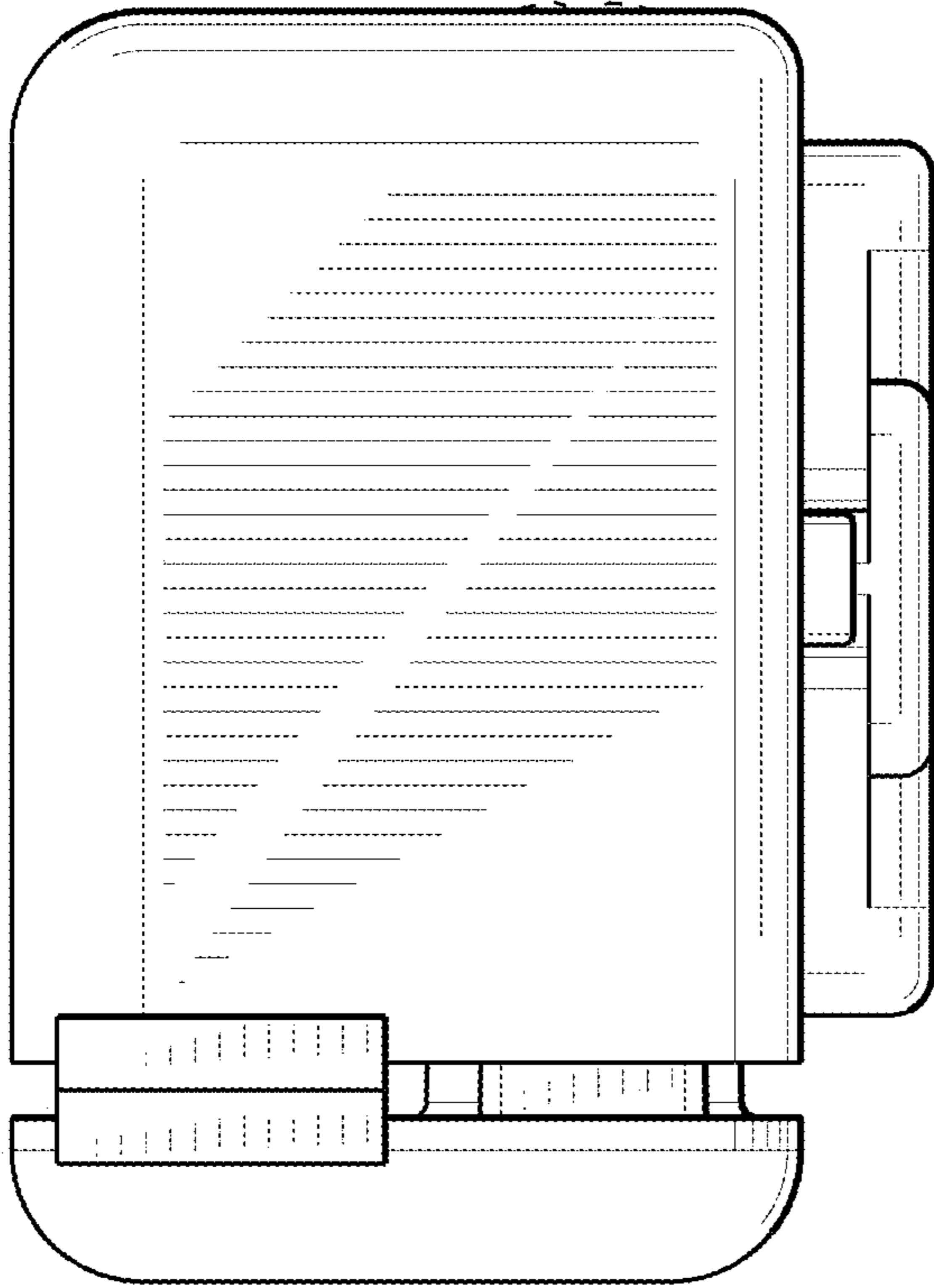


FIG. 6

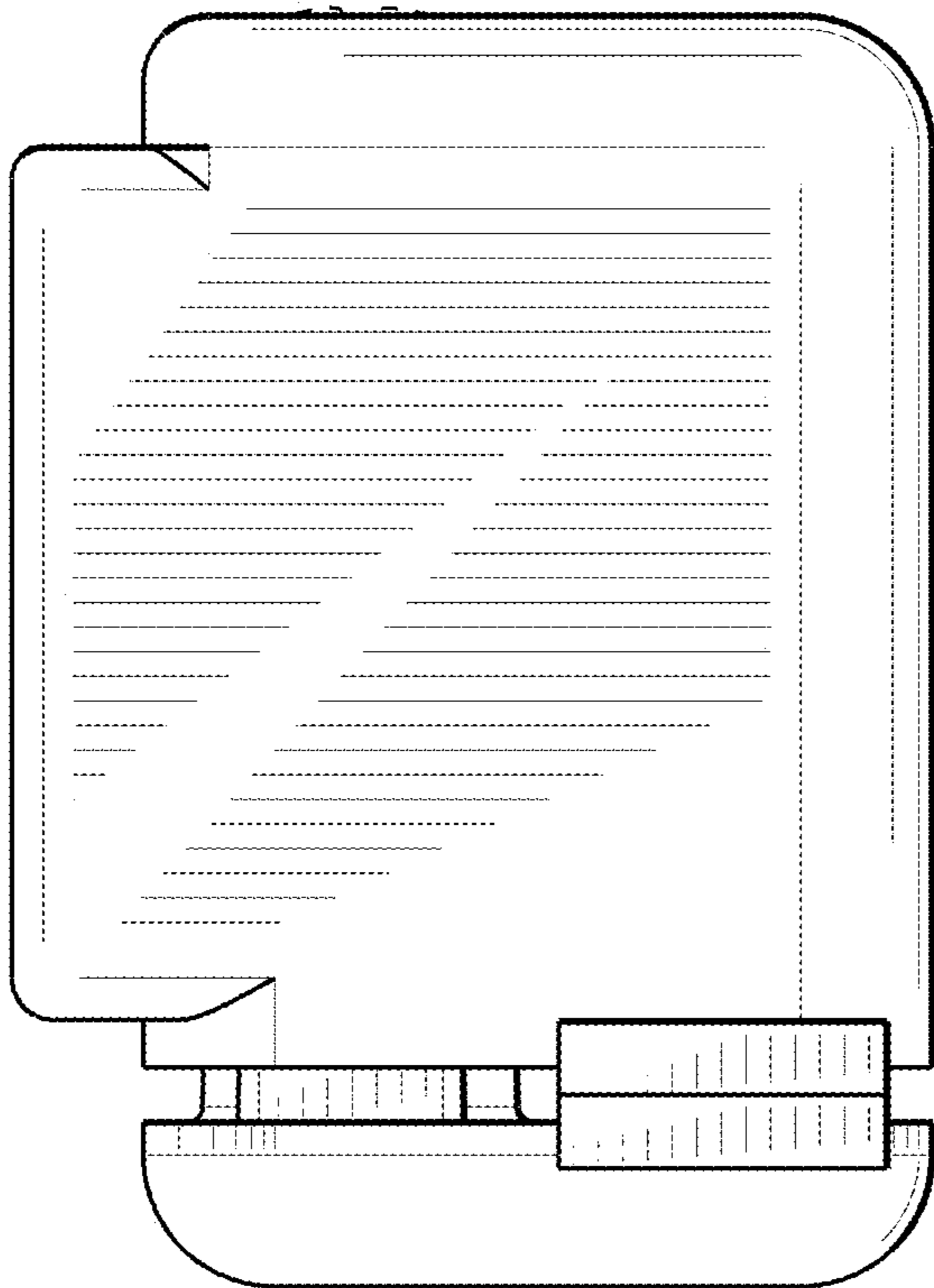


FIG. 7

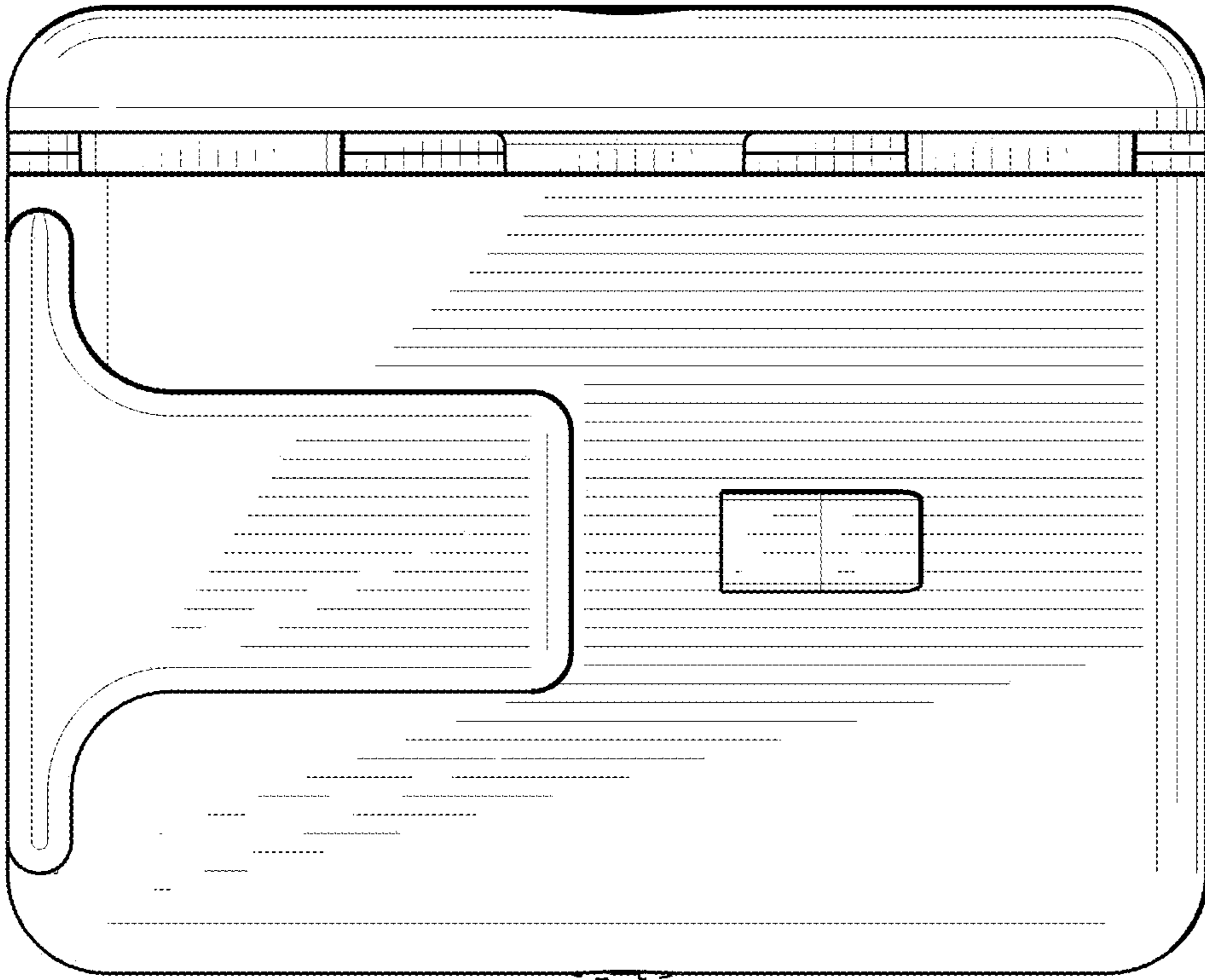


FIG. 9

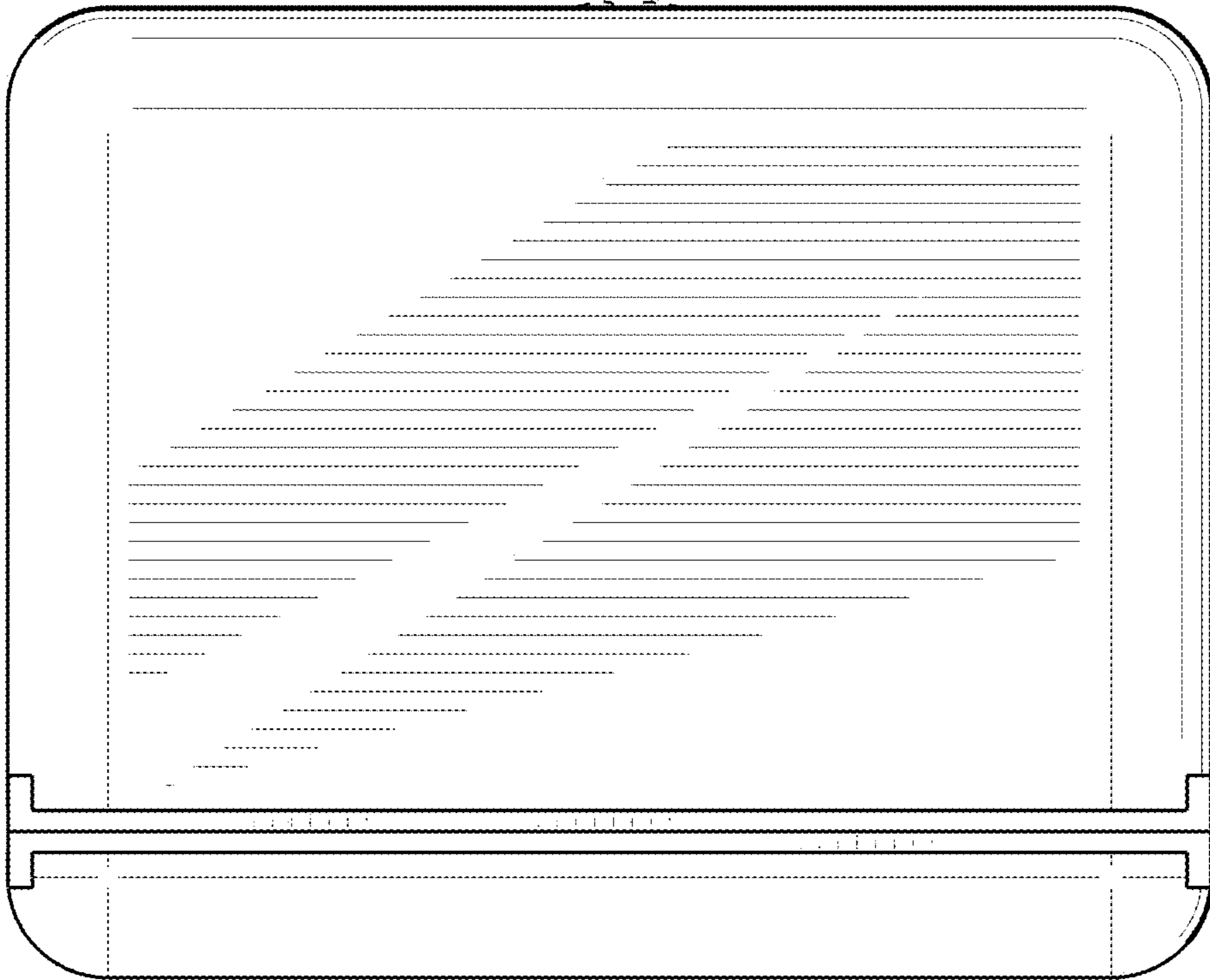


FIG. 8

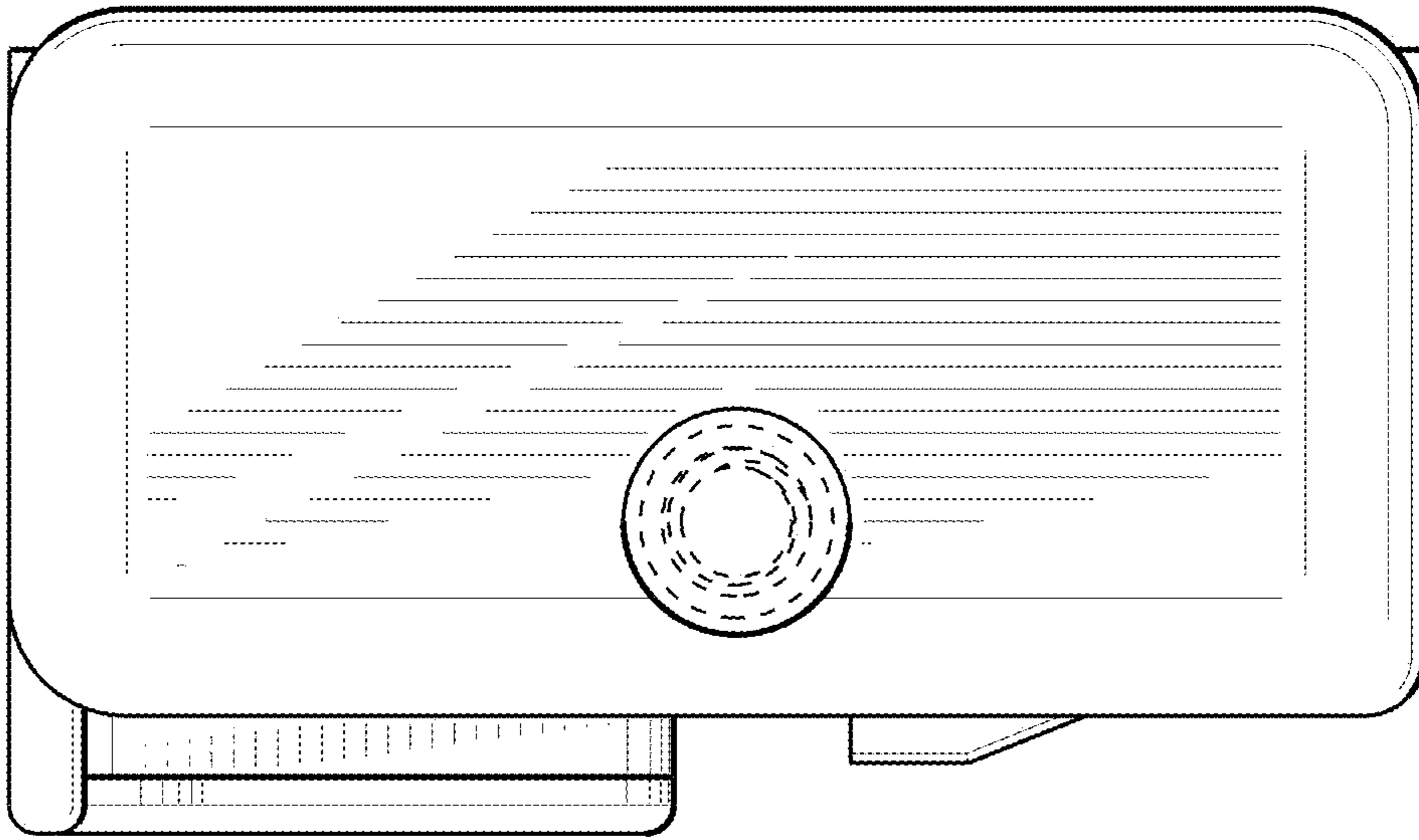


FIG. 11

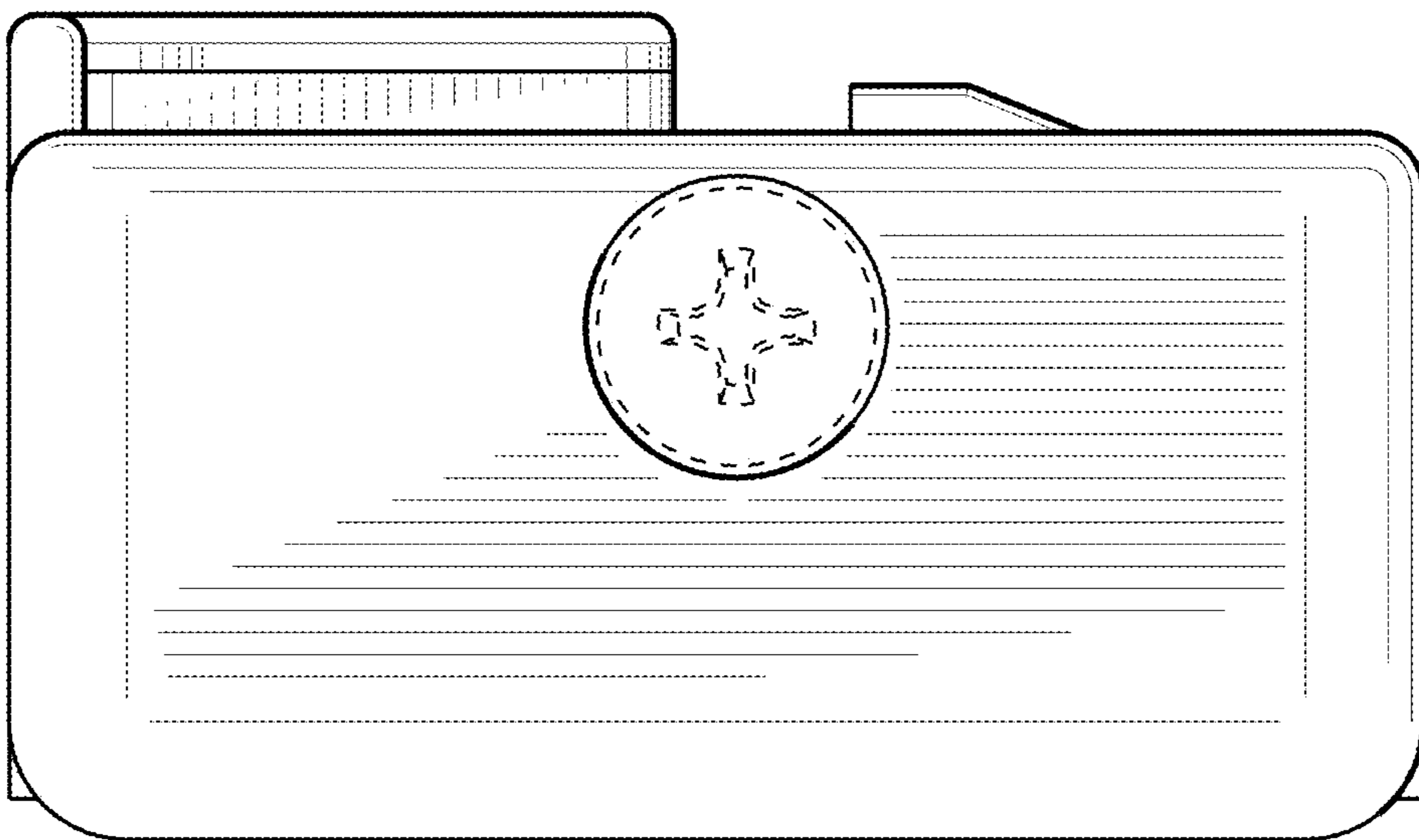


FIG. 10