



US00D916191S

(12) **United States Design Patent**
Dratch

(10) **Patent No.:** **US D916,191 S**
(45) **Date of Patent:** **** Apr. 13, 2021**

(54) **SIGN BASE**

(71) Applicant: **General Printing & Design, Inc.**,
Southborough, MA (US)

(72) Inventor: **Douglas Dratch**, Southborough, MA
(US)

(73) Assignee: **GENERAL PRINTING & DESIGN,
INC.**, Southborough, MA (US)

(**) Term: **15 Years**

(21) Appl. No.: **29/693,813**

(22) Filed: **Jun. 5, 2019**

(51) **LOC (13) Cl.** **20-03**

(52) **U.S. Cl.**
USPC **D20/43; D20/10**

(58) **Field of Classification Search**
USPC D6/325, 328; D8/321, 349, 354, 355,
D8/366, 371, 373, 380, 381, 400;
D19/75, 86, 90, 91; D20/10, 40-44, 99;
D21/606, 607, 608, 609; D25/119
CPC .. G09F 17/00; G09F 2007/1834; G09F 15/02;
G09F 15/0075; G09F 15/0018; G09F
7/18; G09F 2007/186; G09F 7/16; G09F
2007/122; G09F 13/00; G09F 13/04;
G09F 13/06; G09F 13/18; G09F 13/22;
G09F 13/24; G09F 13/26; G09F
2013/1895; G09F 15/00; B29C 65/52;
B29C 65/56; B23P 19/00; B32B 37/02;
B32B 38/00

See application file for complete search history.

(56) **References Cited**
U.S. PATENT DOCUMENTS

1,505,046 A * 8/1924 Lush G09F 15/0056
40/611.03

1,598,438 A * 8/1926 Hallowell G09F 15/0056
40/606.01

1,750,118 A * 3/1930 Mueller, Jr. G09F 7/22
40/613

1,887,894 A * 11/1932 Schwab G09F 15/0056
40/611.05

2,064,127 A * 12/1936 Schneider G09F 1/14
40/611.02

2,454,648 A * 11/1948 Green G09F 15/0056
40/602

2,557,399 A * 6/1951 Teetor G09F 1/14
40/124.04

3,662,482 A * 5/1972 Sarkisian G09F 7/002
40/602

4,509,714 A * 4/1985 Seely E01F 9/688
248/618

4,878,303 A * 11/1989 Banniza G09F 7/20
40/606.14

5,079,861 A * 1/1992 Stoudt G09F 15/0062
248/166

5,095,642 A * 3/1992 George G09F 15/0062
40/610

(Continued)

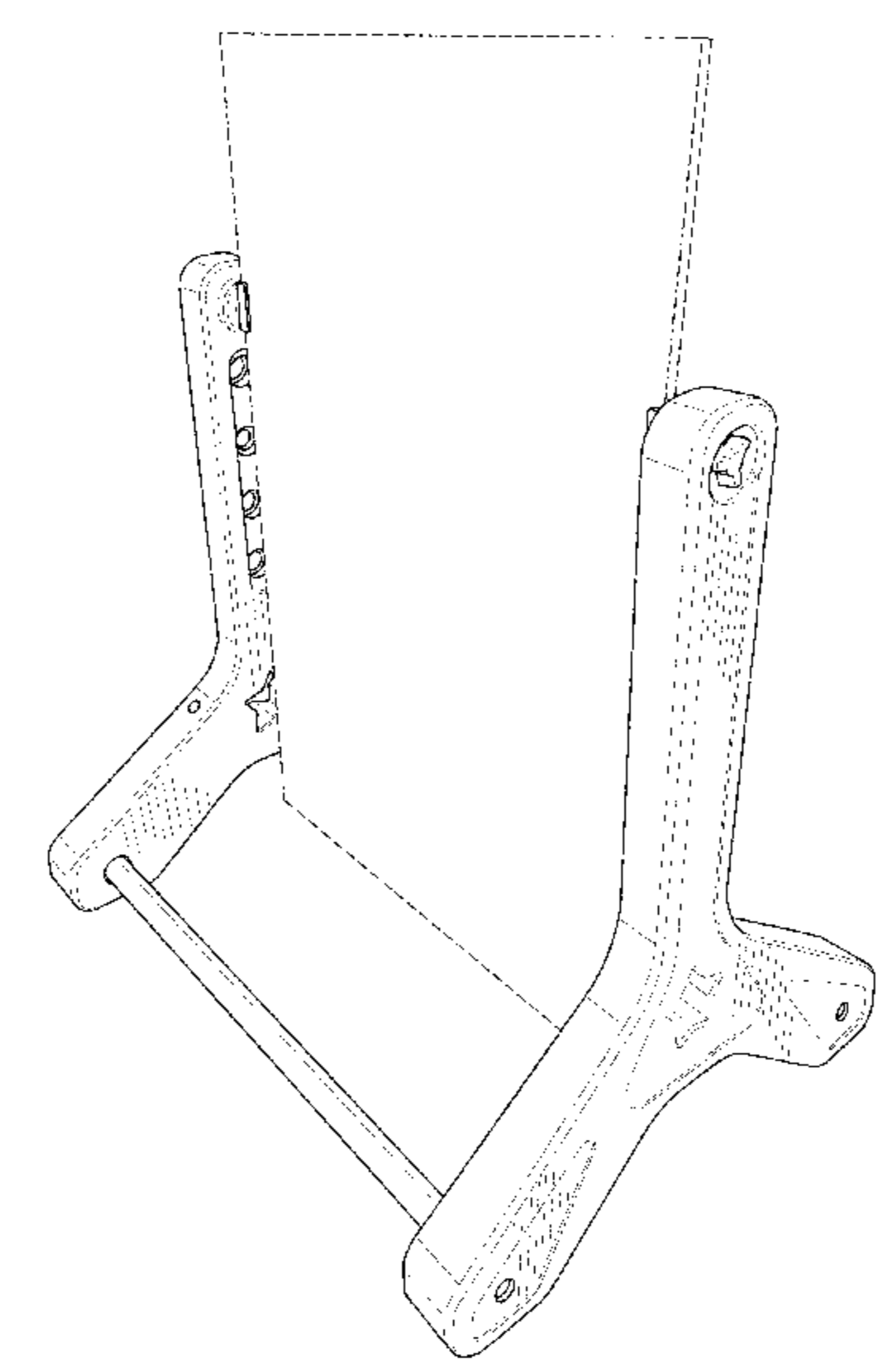
Primary Examiner — Mary Ann Calabrese
Assistant Examiner — Catherine Ho
(74) *Attorney, Agent, or Firm* — Kriegsmann & Kriegsmann

(57) **CLAIM**
The ornamental design for a sign base, as shown and described.

DESCRIPTION

FIG. 1 is a front perspective view of a sign base showing my new design;
FIG. 2 is a front view thereof;
FIG. 3 is a right side view thereof;
FIG. 4 is a rear view thereof;
FIG. 5 is a left side view thereof;
FIG. 6 is a top view thereof; and,
FIG. 7 is a bottom view thereof.
The broken lines shown in the figures are provided for the purpose of illustrating an environment only and form no part of the claimed design.

1 Claim, 7 Drawing Sheets



(56)

References Cited

U.S. PATENT DOCUMENTS

5,442,871	A *	8/1995	Sarkisian	G09F 7/22 40/606.17
5,964,052	A *	10/1999	Jepsen	G09F 15/0062 40/607.1
D505,456	S *	5/2005	Green	D20/40
D529,099	S *	9/2006	Smitshuijzen	D20/43
9,175,801	B2 *	11/2015	Adilman	B60B 33/00
10,152,903	B2 *	12/2018	Dalton	E01F 9/627
D837,296	S *	1/2019	Martin	D19/114
10,672,305	B2 *	6/2020	Struhl	G09F 15/0062
2011/0197482	A1 *	8/2011	Hillstrom	G09F 15/0056 40/606.02

* cited by examiner

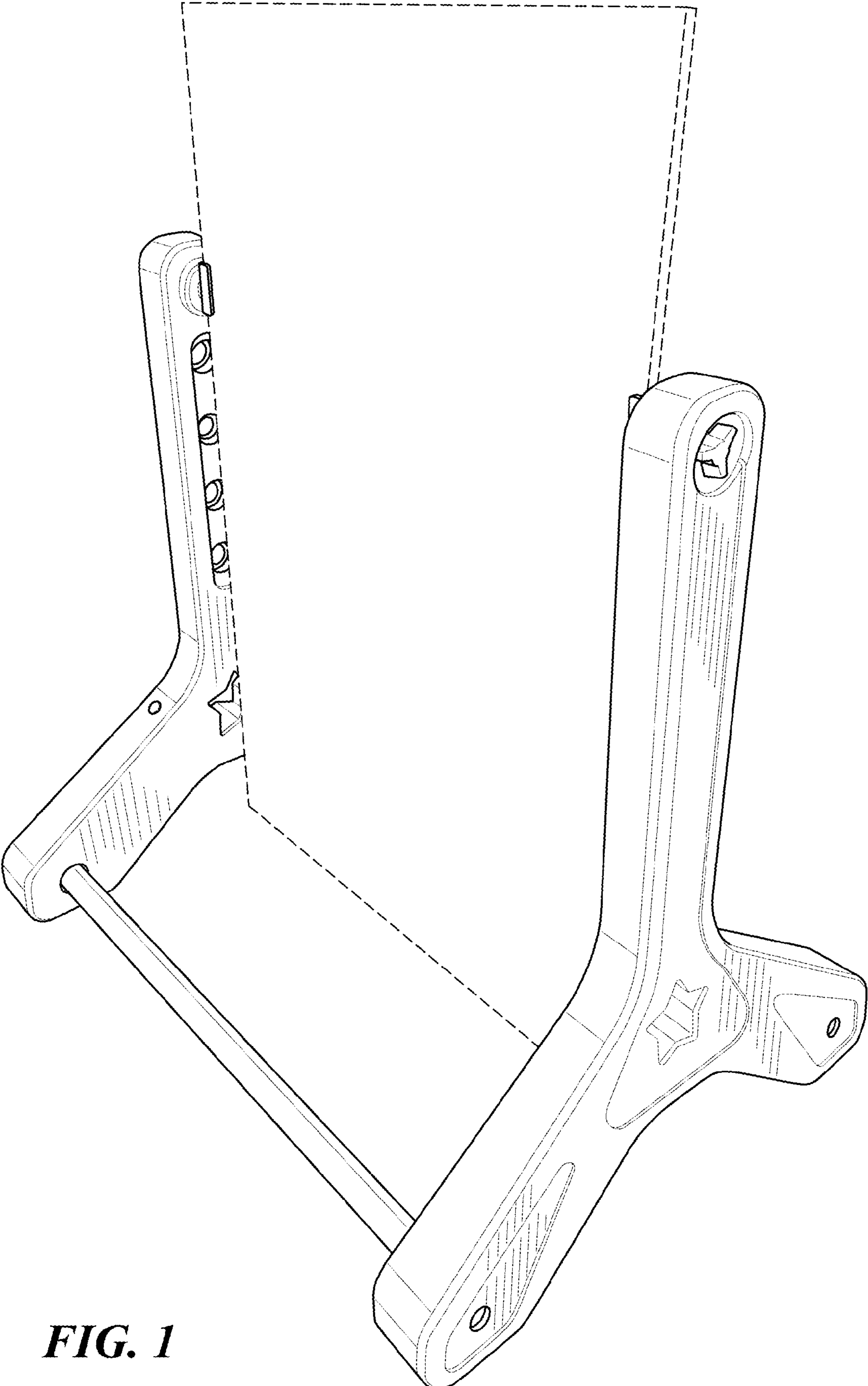


FIG. 1

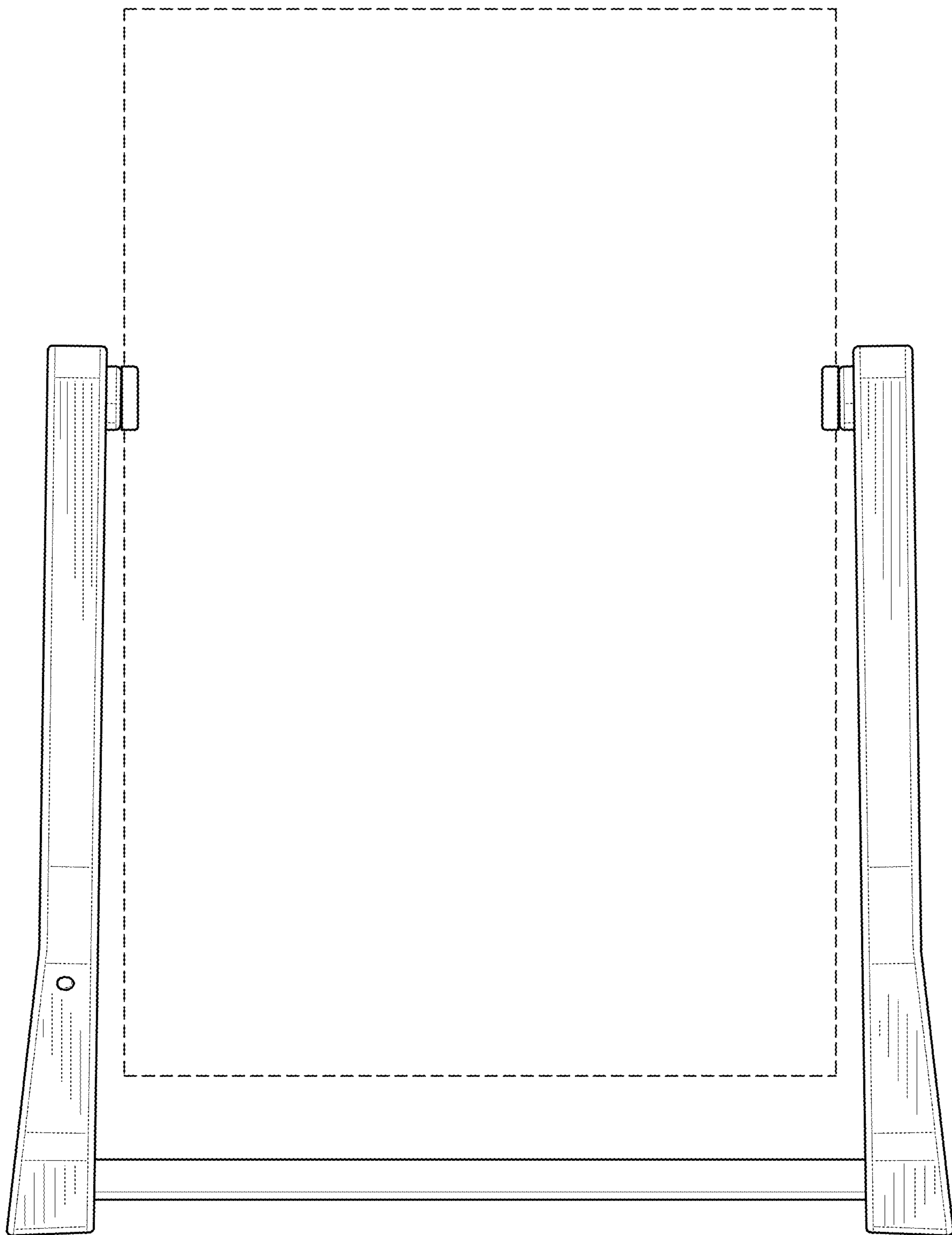


FIG. 2

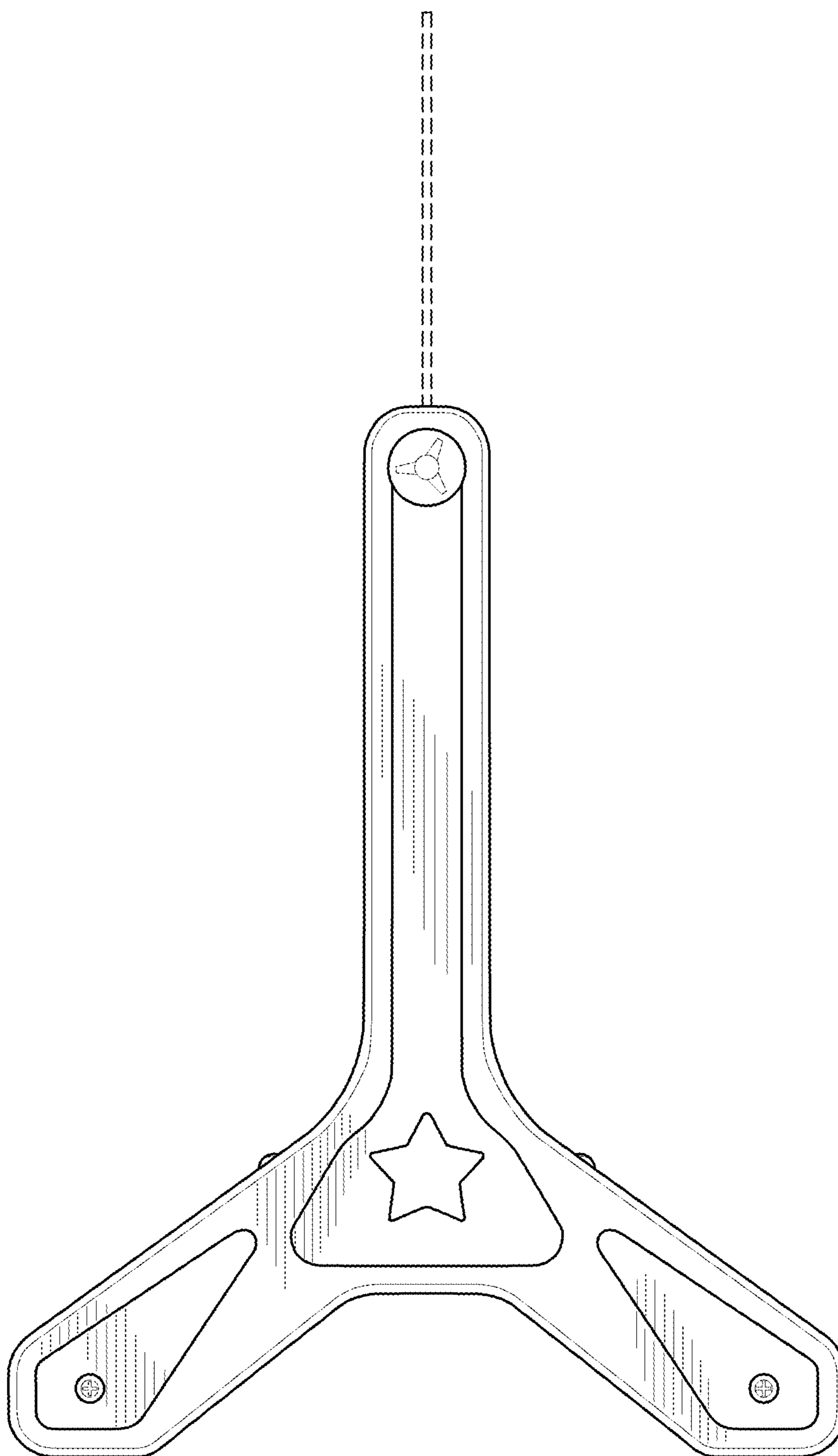


FIG. 3

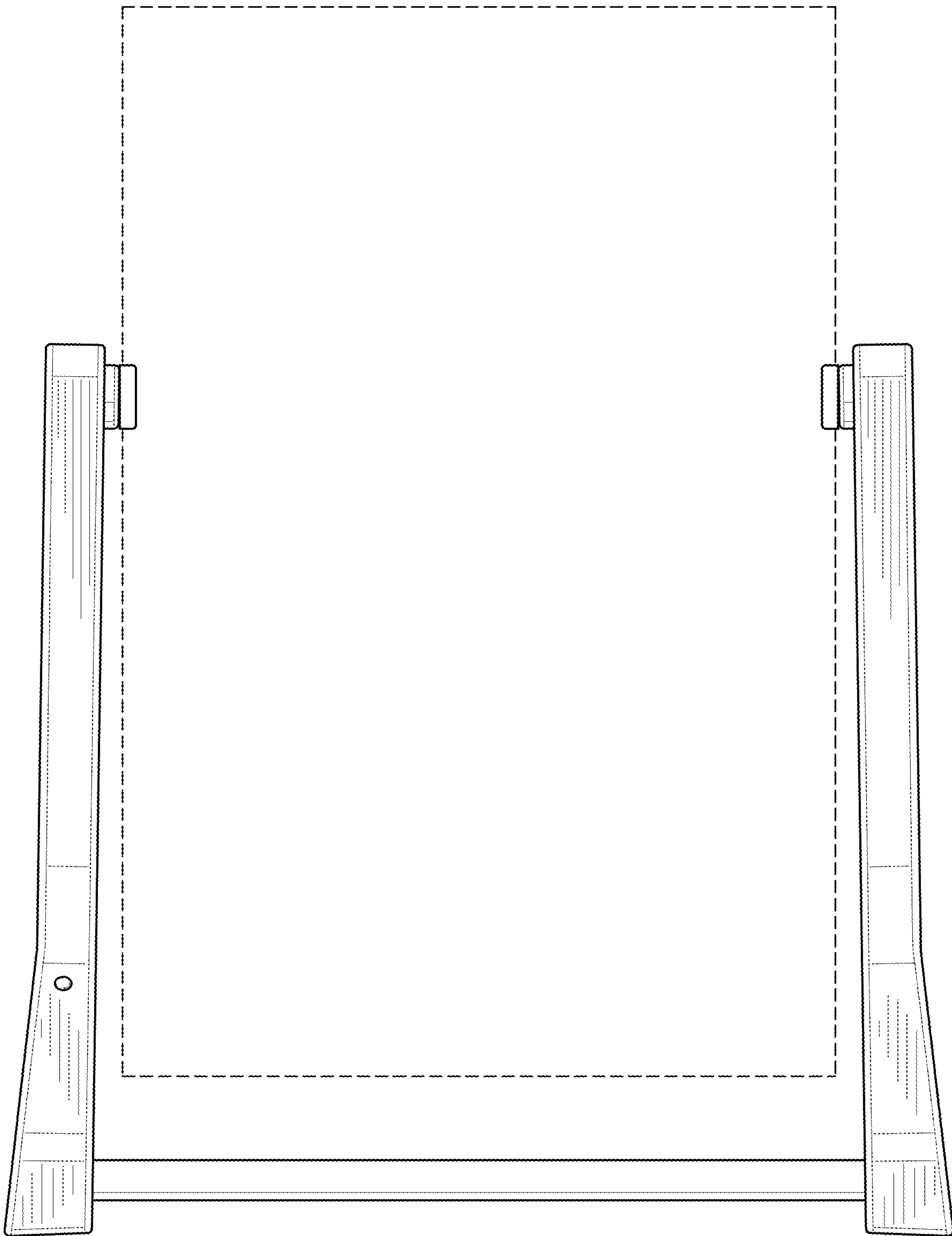


FIG. 4

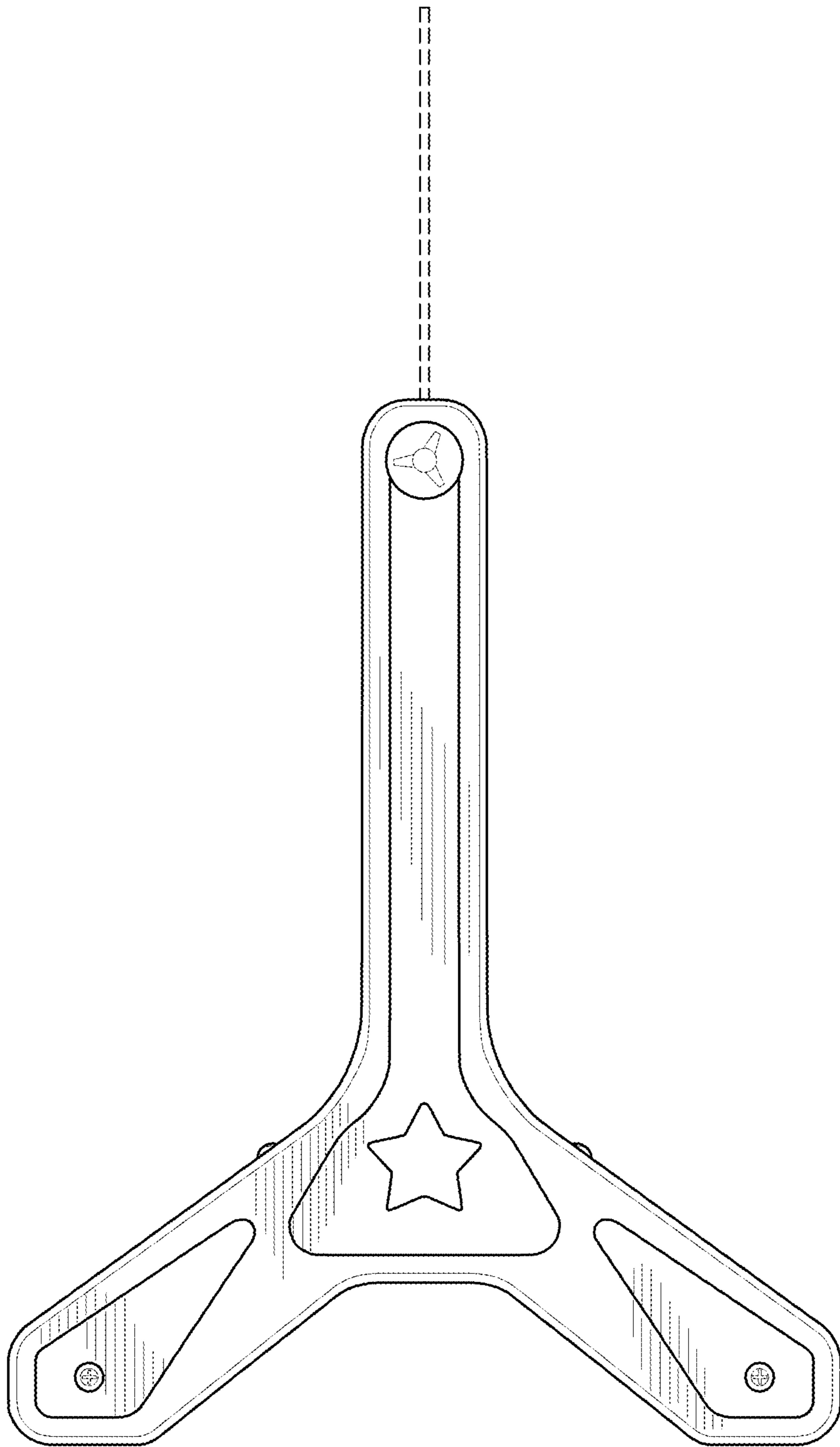


FIG. 5

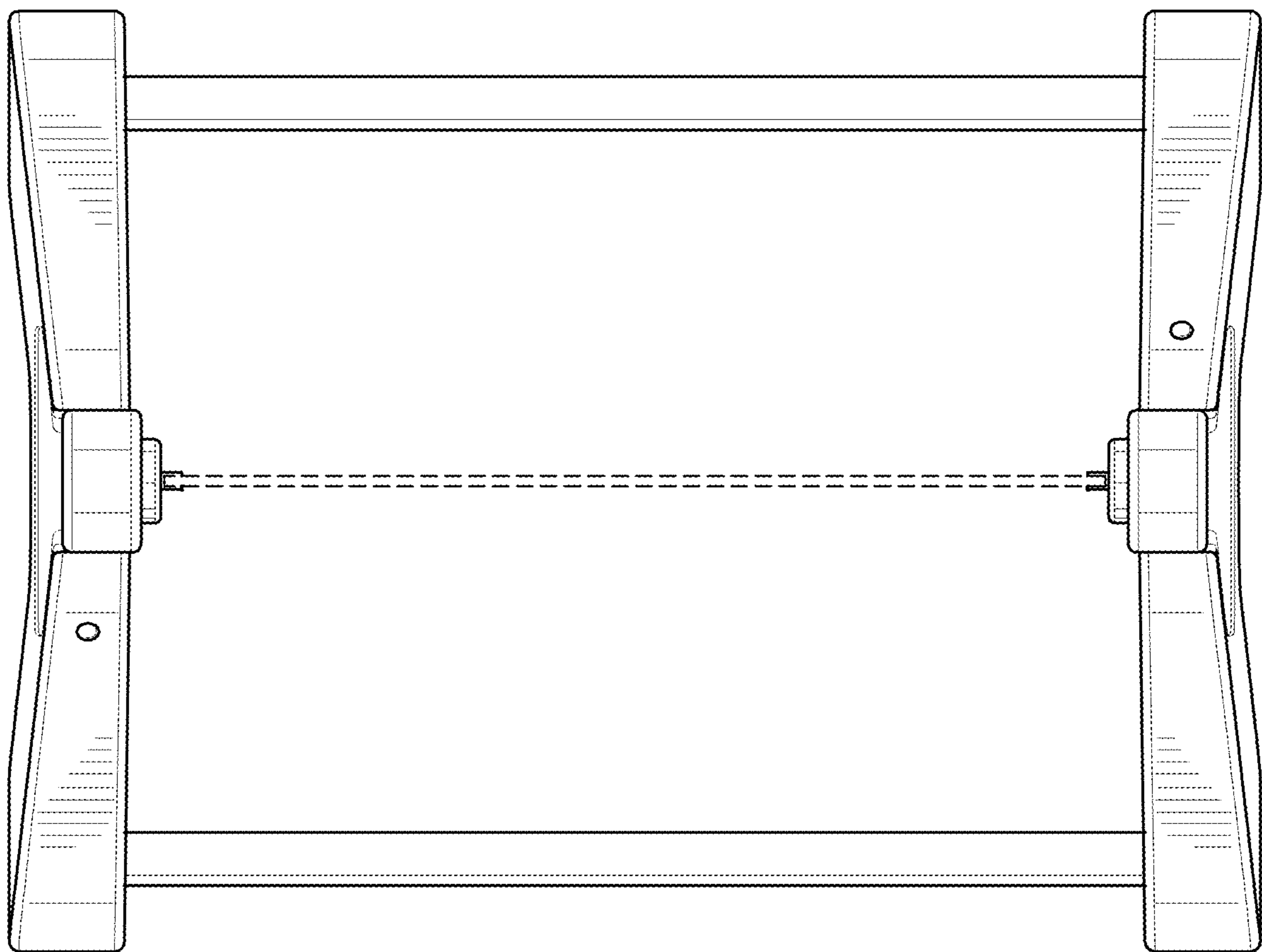


FIG. 6

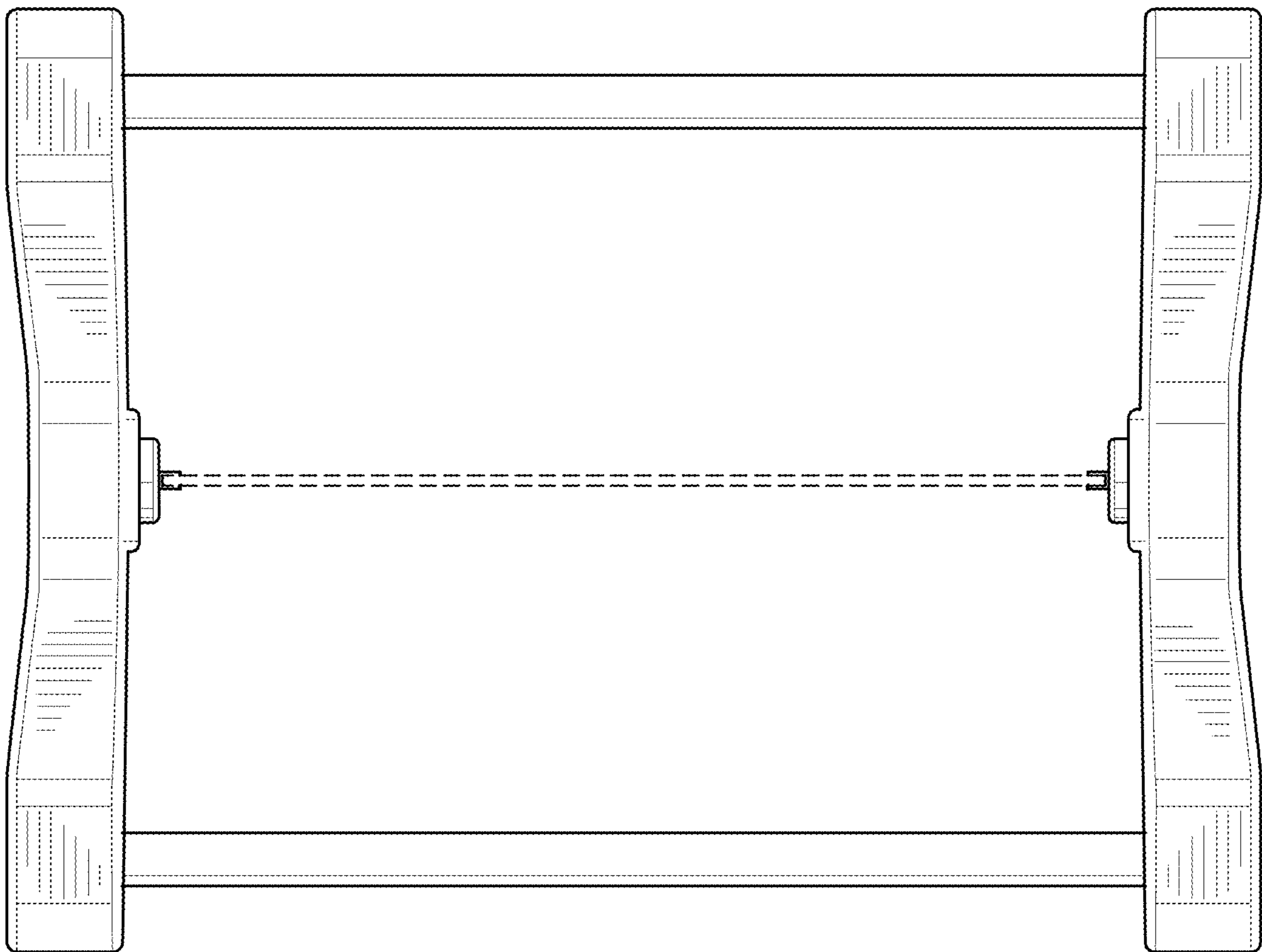


FIG. 7