



US00D916188S

(12) **United States Design Patent** (10) **Patent No.:** **US D916,188 S**  
**Wride** (45) **Date of Patent:** **\*\* Apr. 13, 2021**

(54) **ADVERTISING PLACARD**  
(71) Applicant: **Weston Wride**, Provo, UT (US)  
(72) Inventor: **Weston Wride**, Provo, UT (US)  
(\*\*) Term: **15 Years**  
(21) Appl. No.: **29/648,608**  
(22) Filed: **May 22, 2018**  
(51) **LOC (13) Cl.** ..... **20-02**  
(52) **U.S. Cl.**  
USPC ..... **D20/10**  
(58) **Field of Classification Search**  
USPC ..... 211/13.1, 71.01, 74, 75, 86.01, 126.1,  
211/133.5, 134, 181.1; D6/325, 328,  
D6/512-513, 524, 525, 536, 540, 553,  
D6/566, 672-675, 682-682.1, 683;  
D7/601, 631; D8/321, 349, 354, 355,  
D8/366, 371, 373, 380, 381, 400;  
D9/457, 614, 623-629; D14/374;  
D20/10, 15, 19, 22-28, 35, 42-44, 99;  
D25/119; D3/304-315; D15/79-81  
CPC ..... A47F 13/085; A47G 29/08; B65D 1/02;  
B65D 1/023; B65D 1/0223; B65D 1/22;  
B29C 65/52; B29C 65/56; B32B 19/00;  
B32B 37/02; B32B 38/00; G09F 1/16;  
G09F 2013/1895; G09F 15/00; F09F  
2007/122; F09F 13/00; F09F 13/04; F09F  
13/06; F09F 13/18; F09F 13/22; F09F  
13/24; F09F 13/26  
See application file for complete search history.

(56) **References Cited**  
U.S. PATENT DOCUMENTS

D314,114 S \* 1/1991 Steinman ..... D6/567  
D339,017 S \* 9/1993 Goodman ..... D6/567  
D365,714 S \* 1/1996 Masello ..... D6/526

D377,876 S \* 2/1997 Hatala ..... D6/513  
D385,306 S \* 10/1997 Collins ..... D20/10  
D391,990 S \* 3/1998 Wolff ..... D19/78  
6,082,573 A \* 7/2000 Hofman ..... A47K 3/281  
220/480  
D443,199 S \* 6/2001 Swanson ..... D8/373  
D465,646 S 11/2002 Hendrickson  
D486,022 S \* 2/2004 Shamoon ..... D6/553  
D486,185 S \* 2/2004 Sheldon ..... D19/86  
D494,797 S \* 8/2004 Ramnauth ..... D6/553  
D535,842 S \* 1/2007 Wood ..... D6/567  
D546,593 S 7/2007 Bergin  
D548,282 S \* 8/2007 Chen ..... D19/90  
D553,961 S \* 10/2007 Sato ..... D8/373  
D566,361 S \* 4/2008 Snell ..... D32/55  
D606,348 S \* 12/2009 White ..... D6/553  
D627,291 S 11/2010 Lindsay, Jr.  
D704,949 S \* 5/2014 Rodriguez ..... D6/513  
D727,143 S 4/2015 Gomez  
D735,996 S \* 8/2015 Fath ..... D3/305  
D773,816 S \* 12/2016 Ghiorghie ..... D3/310  
D774,762 S 12/2016 Aller et al.  
D775,465 S \* 1/2017 Aller ..... D3/304  
D778,367 S \* 2/2017 Kott ..... D20/43  
D782,143 S \* 3/2017 Divizinskiy ..... D34/1  
D794,893 S \* 8/2017 Libman ..... D32/55

(Continued)

*Primary Examiner* — Christian P. McLean  
(74) *Attorney, Agent, or Firm* — Amy Fiene PC

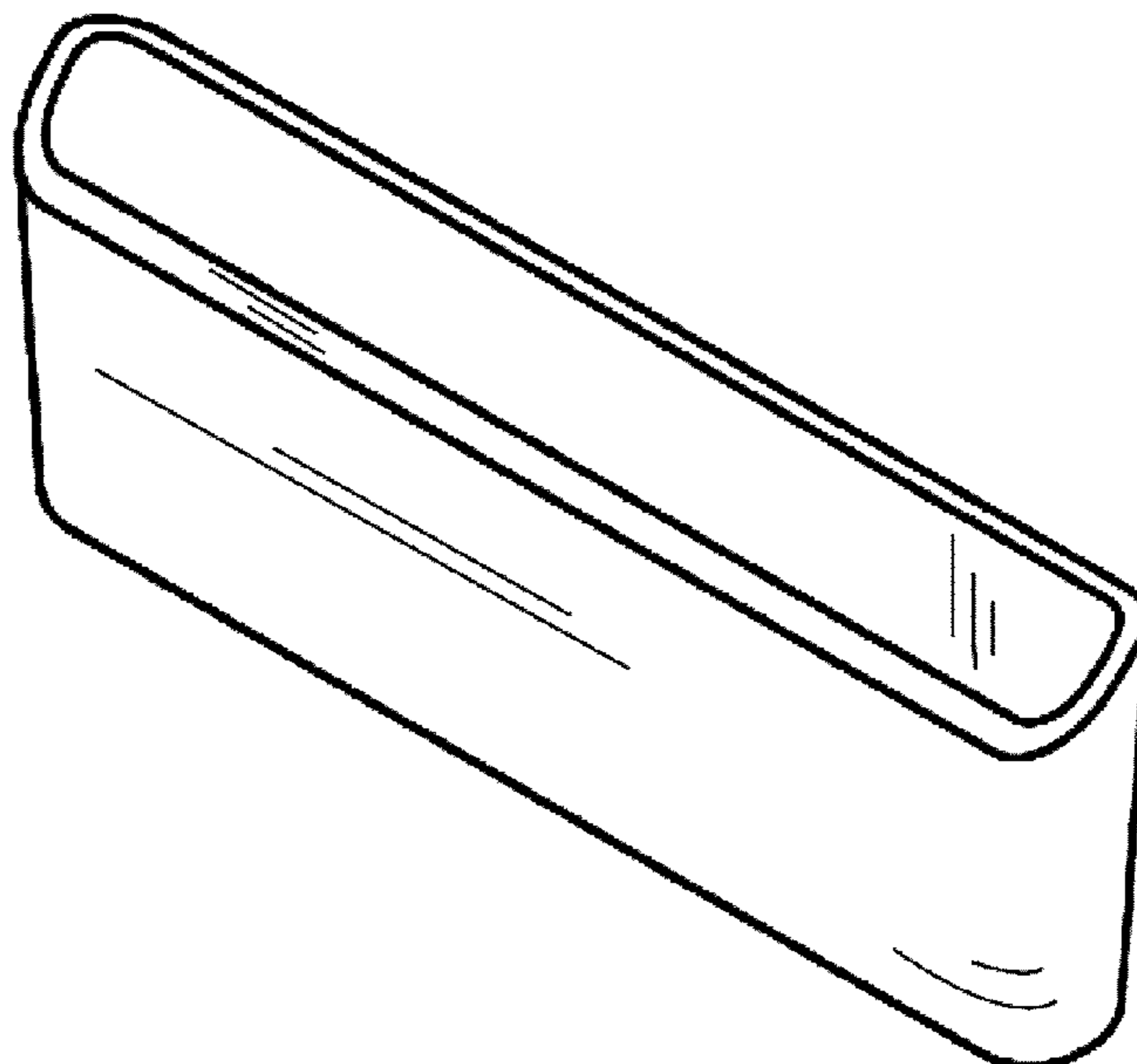
(57) **CLAIM**

The ornamental design for an advertising placard, as shown.

**DESCRIPTION**

FIG. 1 is a perspective view showing my new design;  
FIG. 2 is a bottom view thereof;  
FIG. 3 is a top view thereof;  
FIG. 4 is a front view thereof;  
FIG. 5 is a back view thereof;  
FIG. 6 is a side view thereof; and,  
FIG. 7 is perspective view thereof.

**1 Claim, 7 Drawing Sheets**



(56)

**References Cited**

U.S. PATENT DOCUMENTS

D805,816	S	12/2017	Gale et al.	
D838,107	S	1/2019	Daly et al.	
D839,023	S *	1/2019	Zicanovic .....	D6/553
D843,456	S *	3/2019	Kott .....	D20/43
D845,665	S *	4/2019	Jensen .....	D6/545
D871,070	S *	12/2019	Bakker .....	D3/304
D883,755	S *	5/2020	Nicholson .....	D7/637
D885,156	S *	5/2020	Myerson .....	D8/71
D889,887	S *	7/2020	DeJesus .....	D6/675
D901,929	S *	11/2020	McCune .....	D6/540
2009/0090753	A1 *	4/2009	Irvin .....	A45C 13/30 224/218

\* cited by examiner

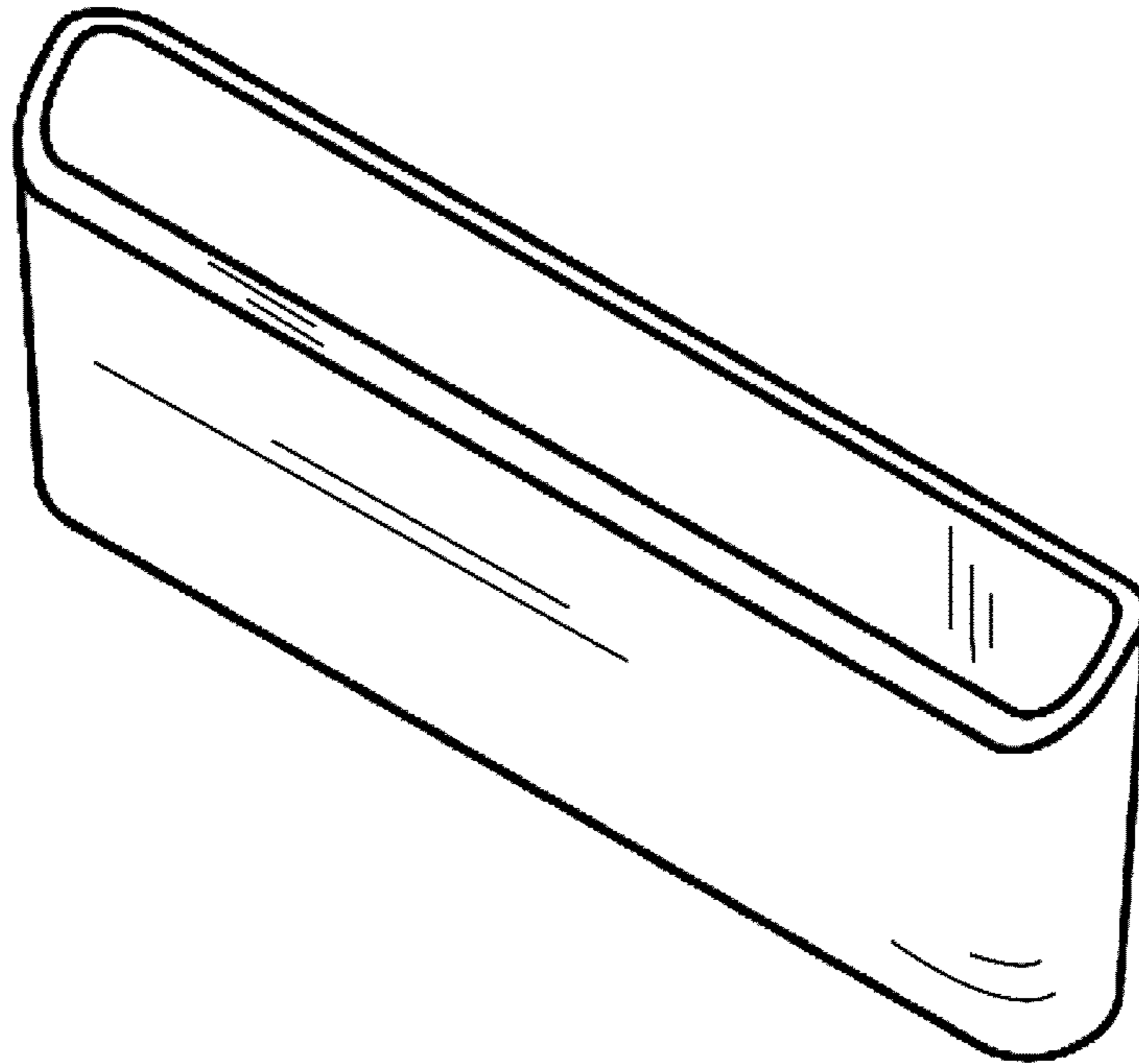


FIG. 1

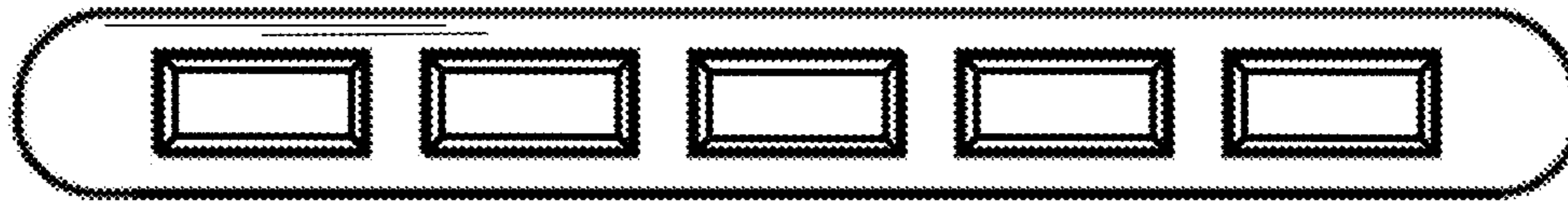


FIG. 2

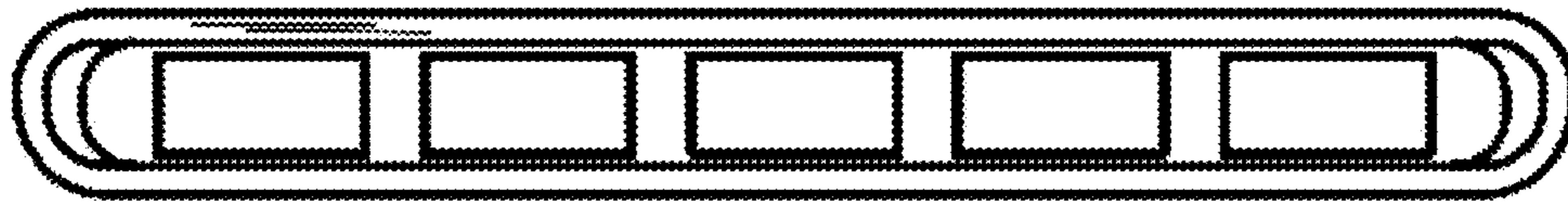


FIG. 3

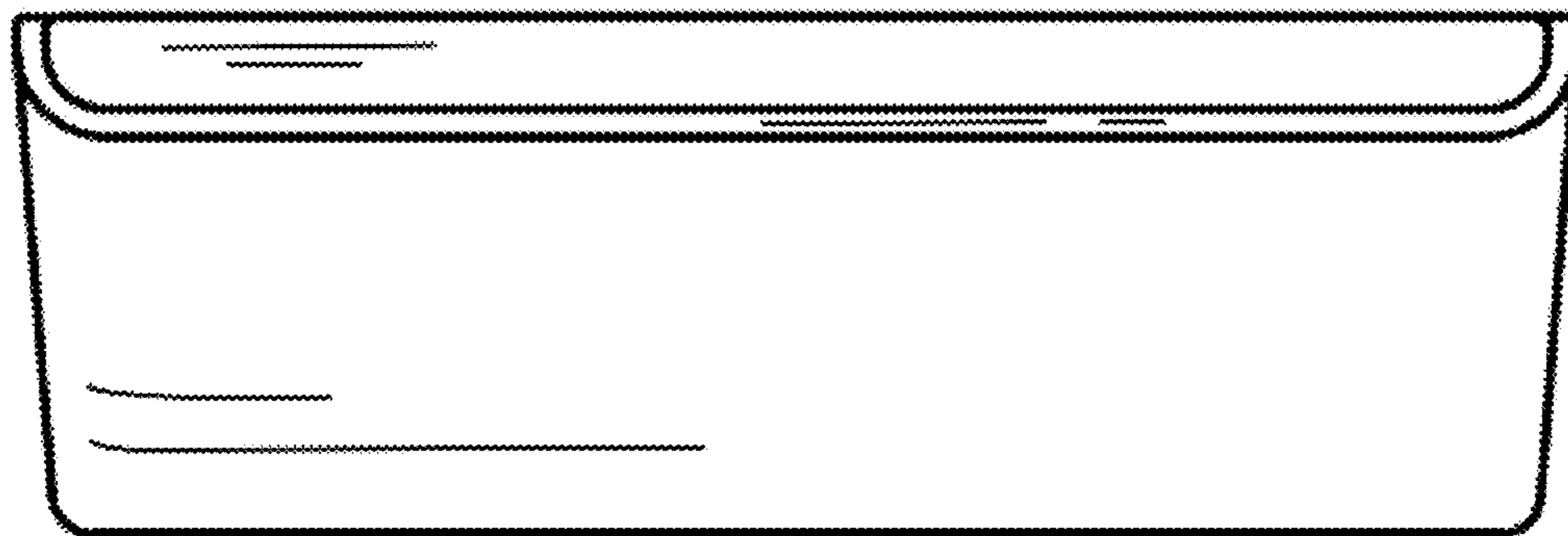


FIG. 4

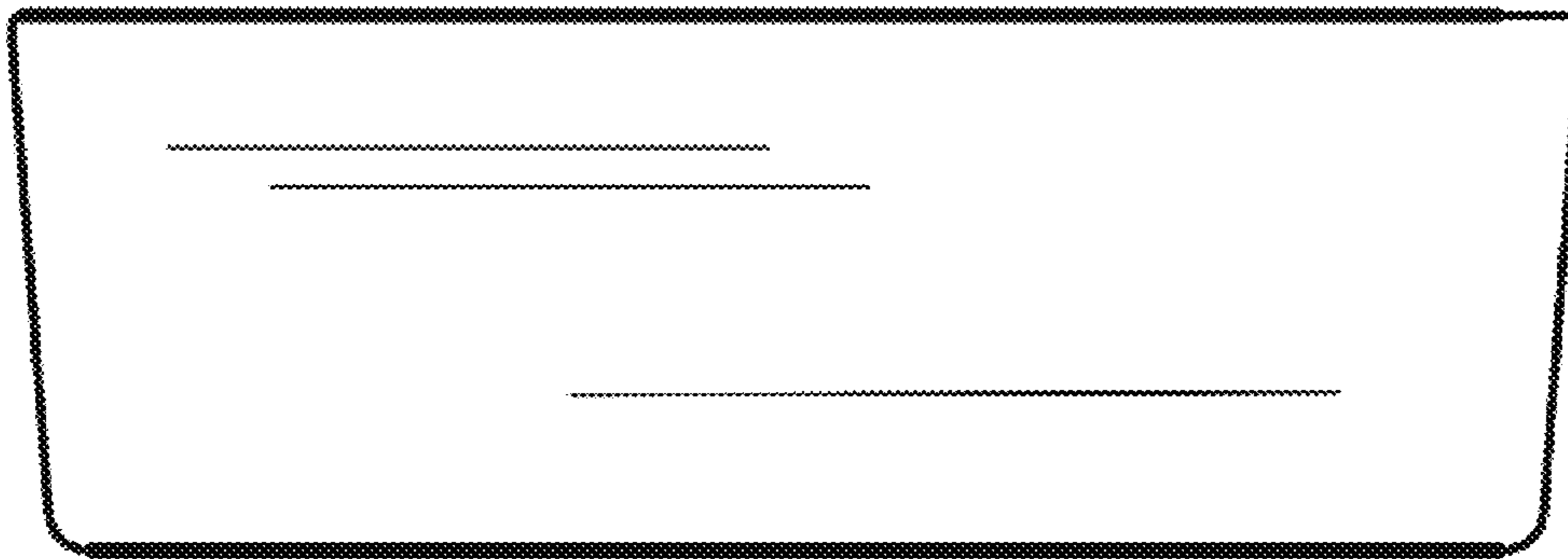


FIG. 5

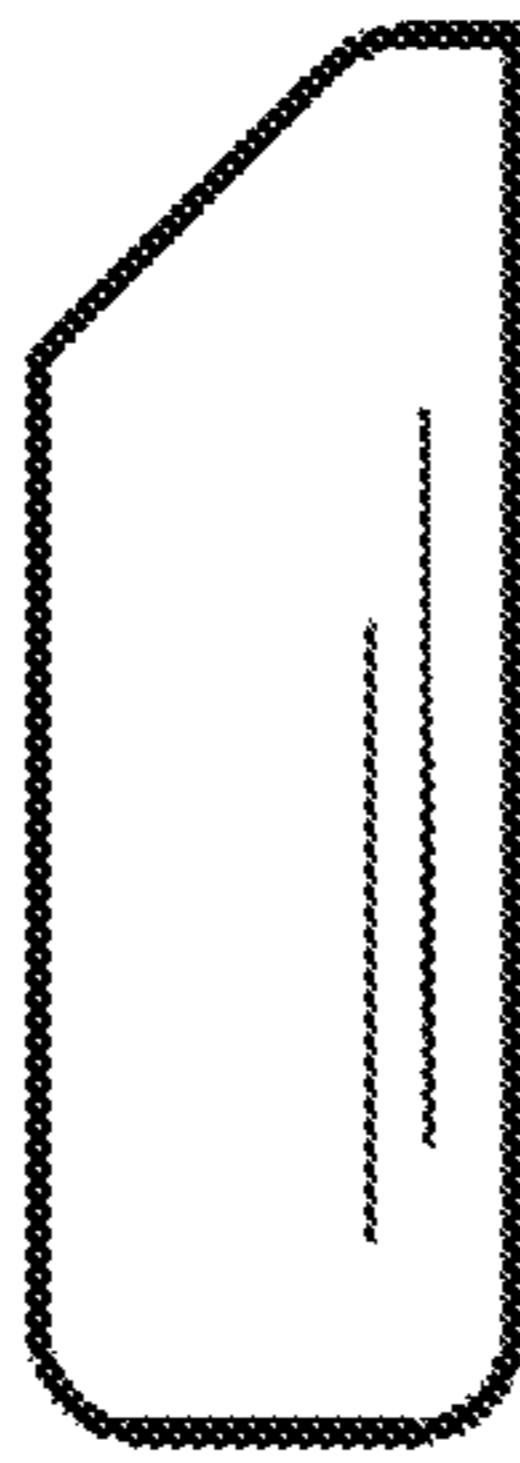


FIG. 6



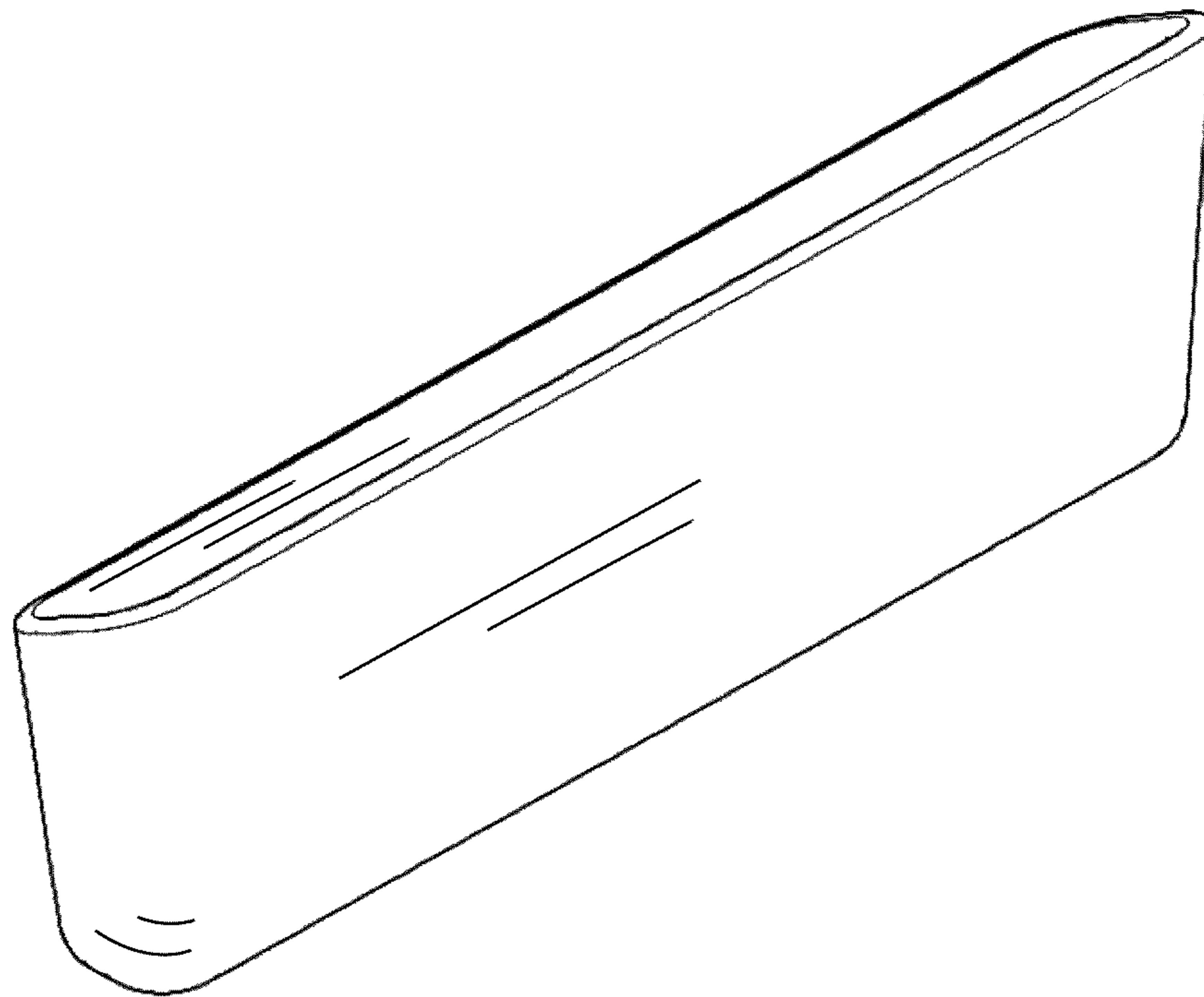


FIG. 7