



US00D916187S

(12) **United States Design Patent**
Hornung

(10) **Patent No.:** **US D916,187 S**
(45) **Date of Patent:** **** Apr. 13, 2021**

- (54) **PEN HOLDER**
- (71) Applicant: **Wacom Co., Ltd.**, Kazo (JP)
- (72) Inventor: **Thilo Naoki Hornung**, Toyko (JP)
- (73) Assignee: **Wacom Co., Ltd.**, Kazo (JP)
- (**) Term: **15 Years**
- (21) Appl. No.: **29/703,115**
- (22) Filed: **Aug. 23, 2019**
- (30) **Foreign Application Priority Data**
Feb. 25, 2019 (JP) 2019-003700
- (51) **LOC (13) Cl.** **19-06**
- (52) **U.S. Cl.**
USPC **D19/81; D14/432**
- (58) **Field of Classification Search**
USPC D19/75, 77-85, 95, 135; D3/206, 301;
D14/432, 252
CPC A45C 11/34; A45C 11/36; B43K 23/016;
B43K 23/06; B43M 99/00; B43M 99/001;
B43M 99/006; B43M 99/008
See application file for complete search history.

- (56) **References Cited**
U.S. PATENT DOCUMENTS
1,226,992 A * 5/1917 Paulus F16B 21/183
24/1
2,594,012 A * 4/1952 Griffin G01F 15/14
220/323
2,604,724 A * 7/1952 Watts H04M 1/21
281/44
D176,605 S * 1/1956 Fitzgerald D19/78
4,186,405 A * 1/1980 Pelensky G01D 15/16
346/140.1
D298,750 S * 11/1988 Zaza 379/450
5,599,123 A * 2/1997 Still B43K 29/004
15/105.53
D407,439 S * 3/1999 Kossnar D19/77

- 6,022,159 A * 2/2000 Kossnar B43K 23/12
211/69.5
 - D470,388 S * 2/2003 Levinson D10/74
 - D577,990 S * 10/2008 Andre D14/205
 - D603,904 S * 11/2009 Esfahani D19/81
 - D639,808 S 6/2011 Smith
 - D723,036 S * 2/2015 Longo D14/432
 - D747,413 S * 1/2016 Hoyt Drazen D19/203
 - D754,116 S * 4/2016 O'Neill D14/252
 - D811,409 S 2/2018 Zhong
 - D822,474 S * 7/2018 Nguyen D8/394
- (Continued)

FOREIGN PATENT DOCUMENTS

- CN 303298151 S 7/2015
- IT 702011BZ0000006 S 7/2011
- JP D1334428 S 6/2008

Primary Examiner — Elizabeth A. Albert
(74) *Attorney, Agent, or Firm* — Christensen O'Connor Johnson Kindness PLLC

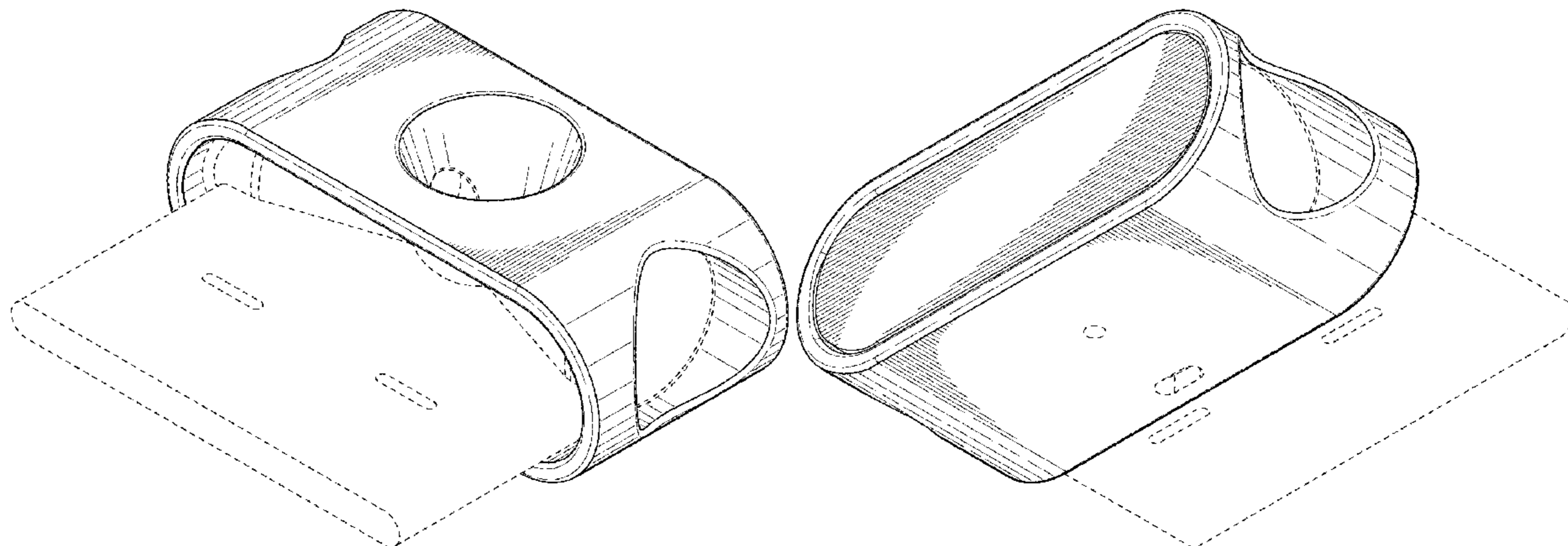
(57) **CLAIM**

The ornamental design for a pen holder, as shown and described.

DESCRIPTION

FIG. 1 is a front-top-left perspective view of a pen holder according to my new design;
FIG. 2 is a rear-bottom-right perspective view thereof;
FIG. 3 front elevational view thereof, wherein the rear elevational view is a mirror image of the front elevational view;
FIG. 4 is a right side elevational view thereof;
FIG. 5 is a left side elevational view thereof;
FIG. 6 is a top plan view thereof; and,
FIG. 7 is a bottom plan view thereof.
The dashed broken lines in the drawings show portions of the pen holder that form no part of the claimed design.

1 Claim, 4 Drawing Sheets



(56)

References Cited

U.S. PATENT DOCUMENTS

10,198,090 B2 * 2/2019 Maeshima G06F 3/03545
D842,803 S * 3/2019 Nishizawa D13/108
D873,124 S * 1/2020 Nguyen D8/394
D897,346 S * 9/2020 Claudepierre D14/440
D906,421 S * 12/2020 Hornung D19/81

* cited by examiner

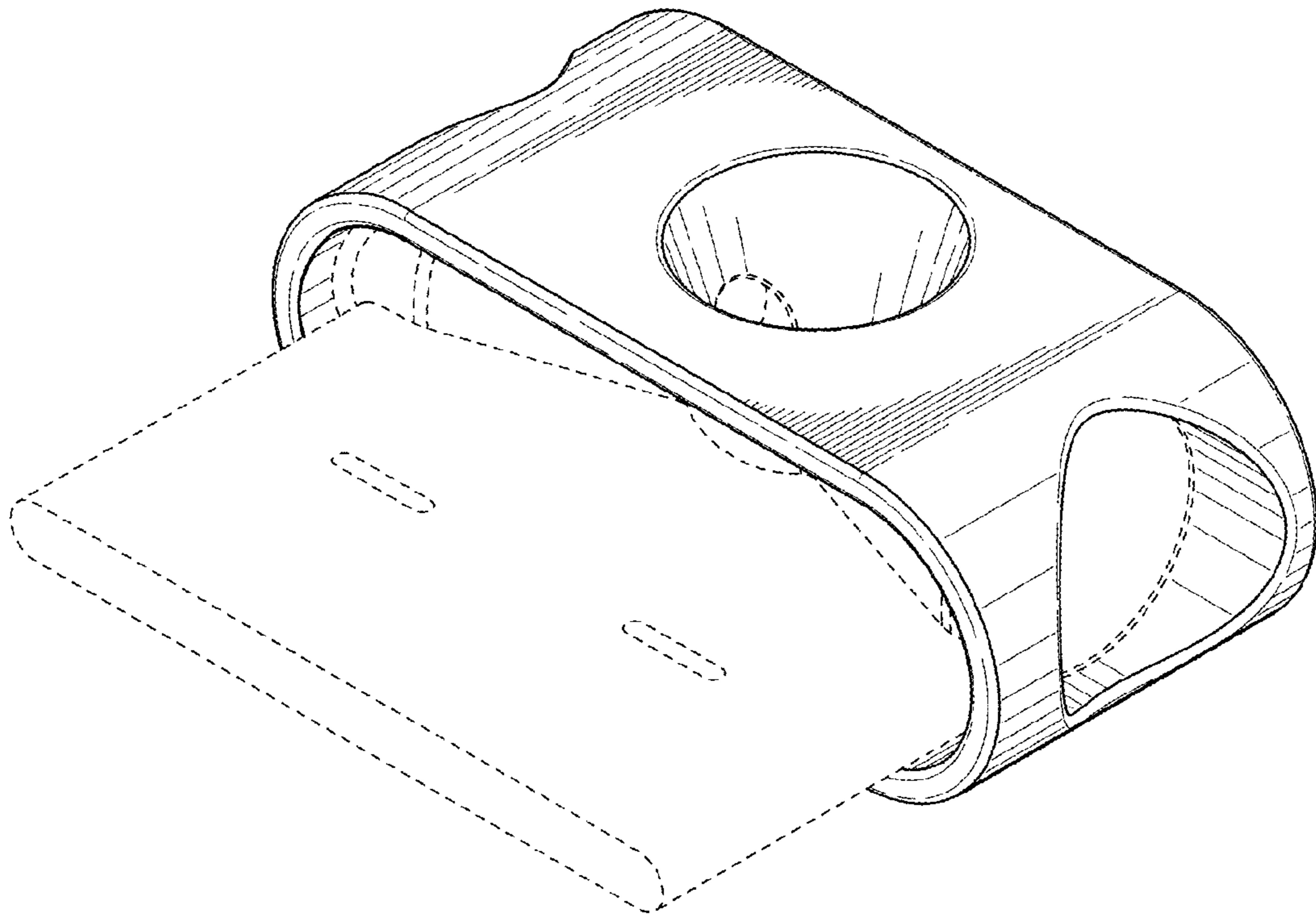


Fig. 1

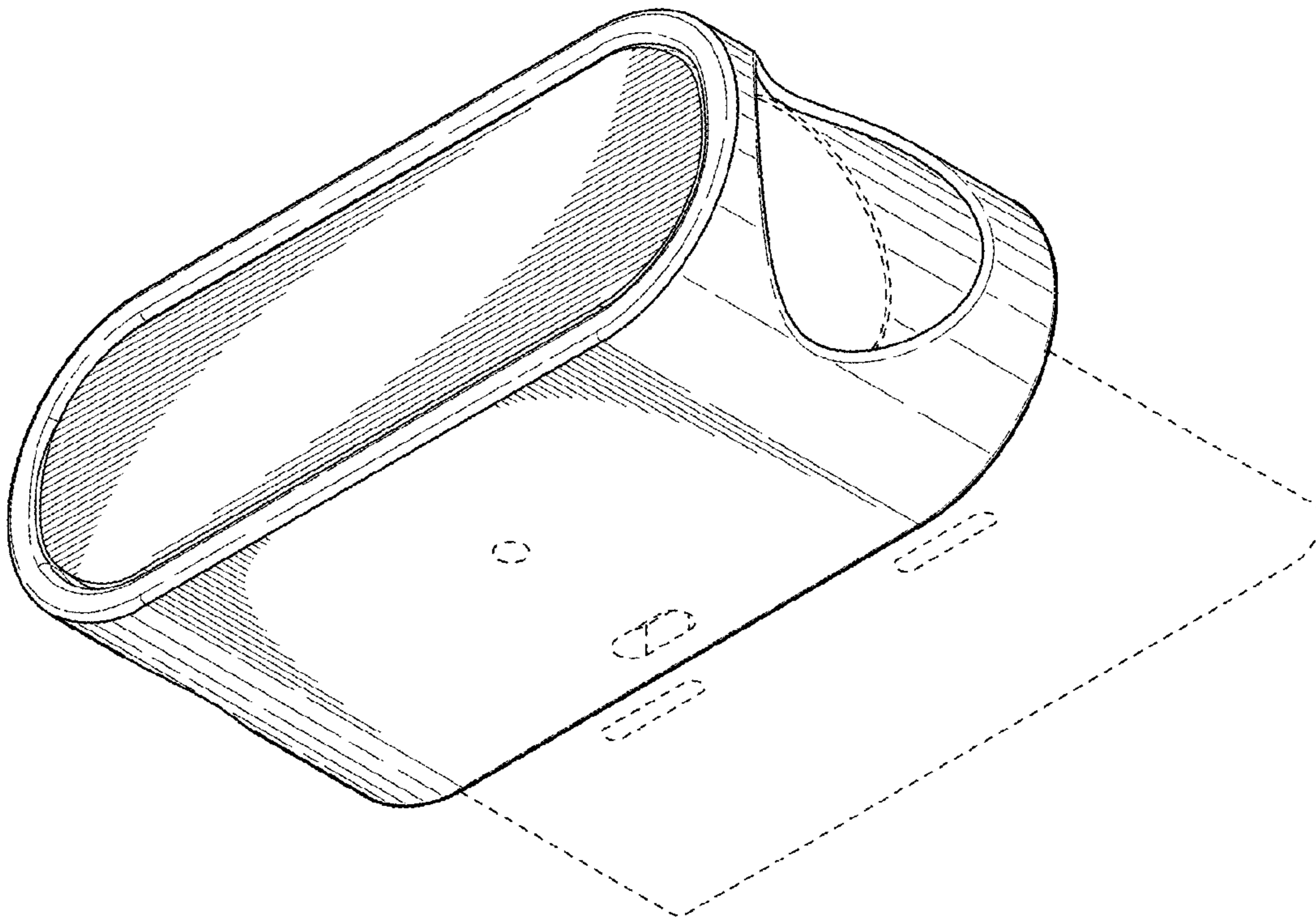


Fig. 2

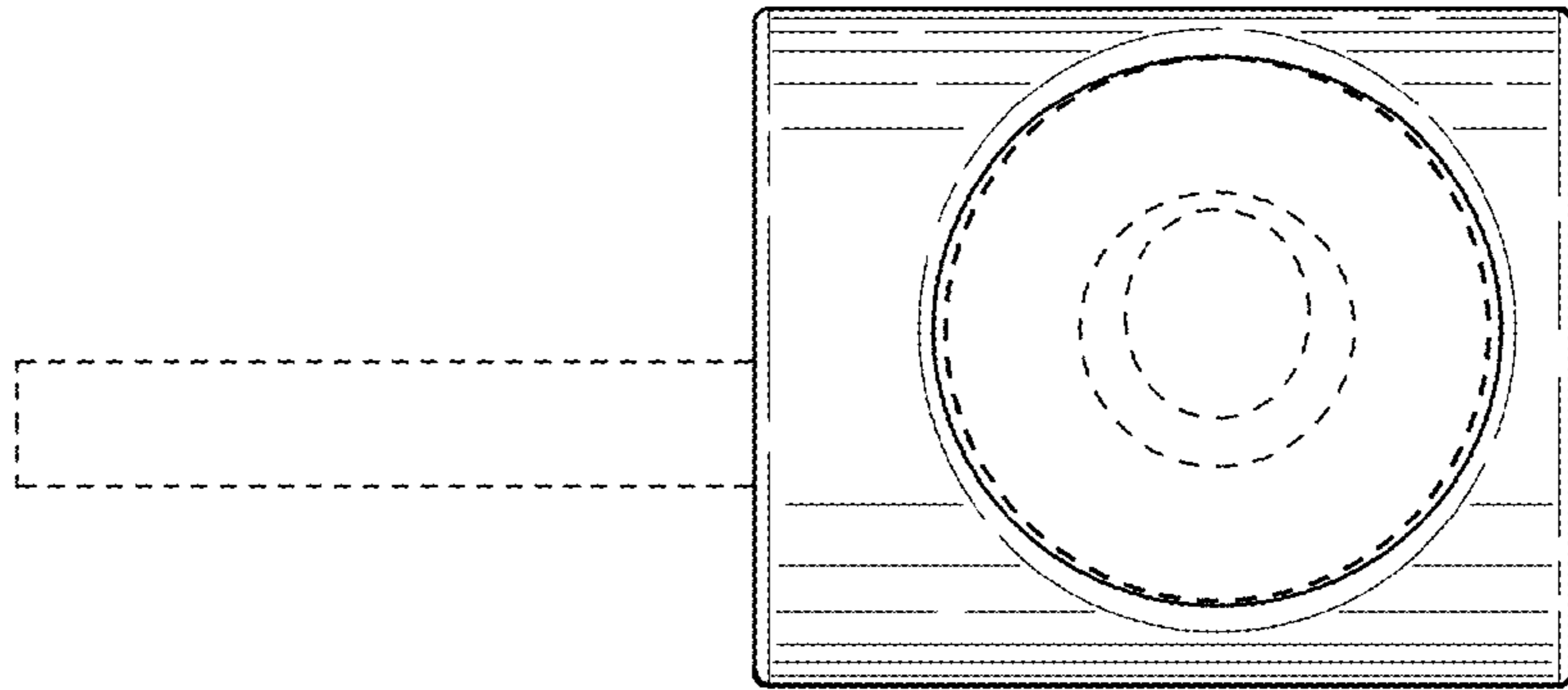


Fig. 3

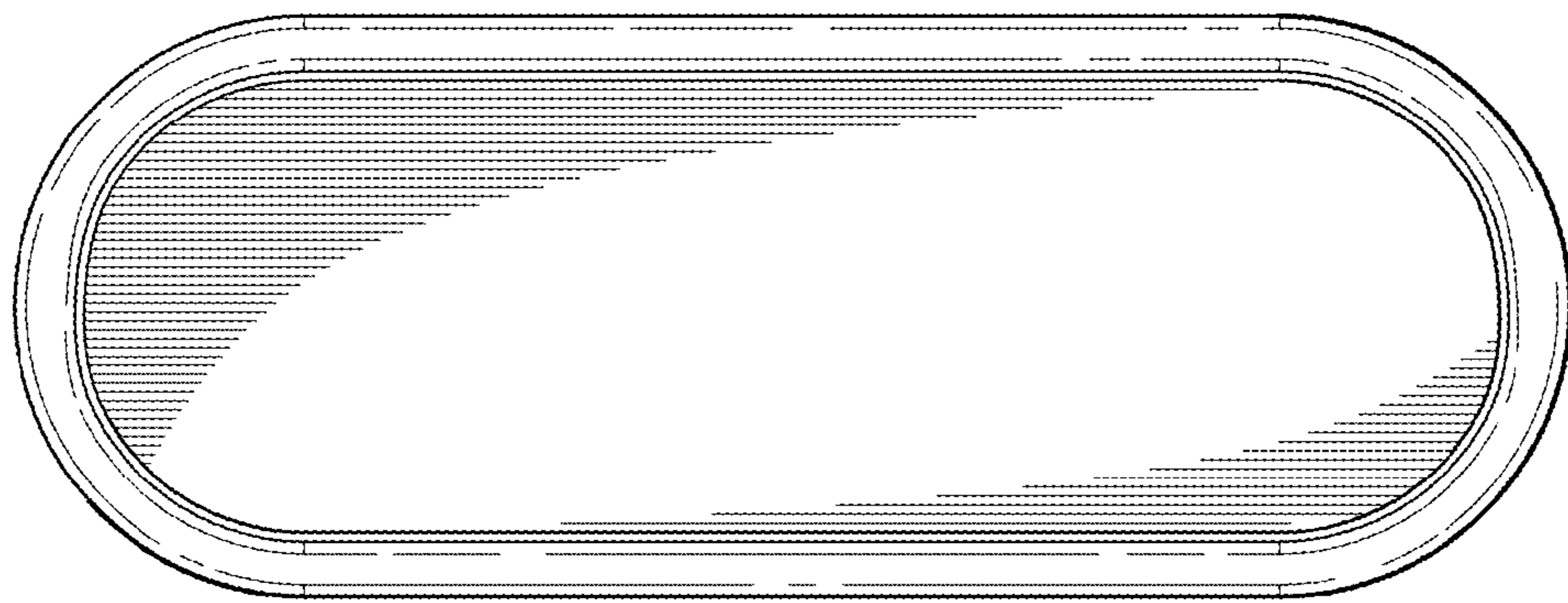


Fig. 4

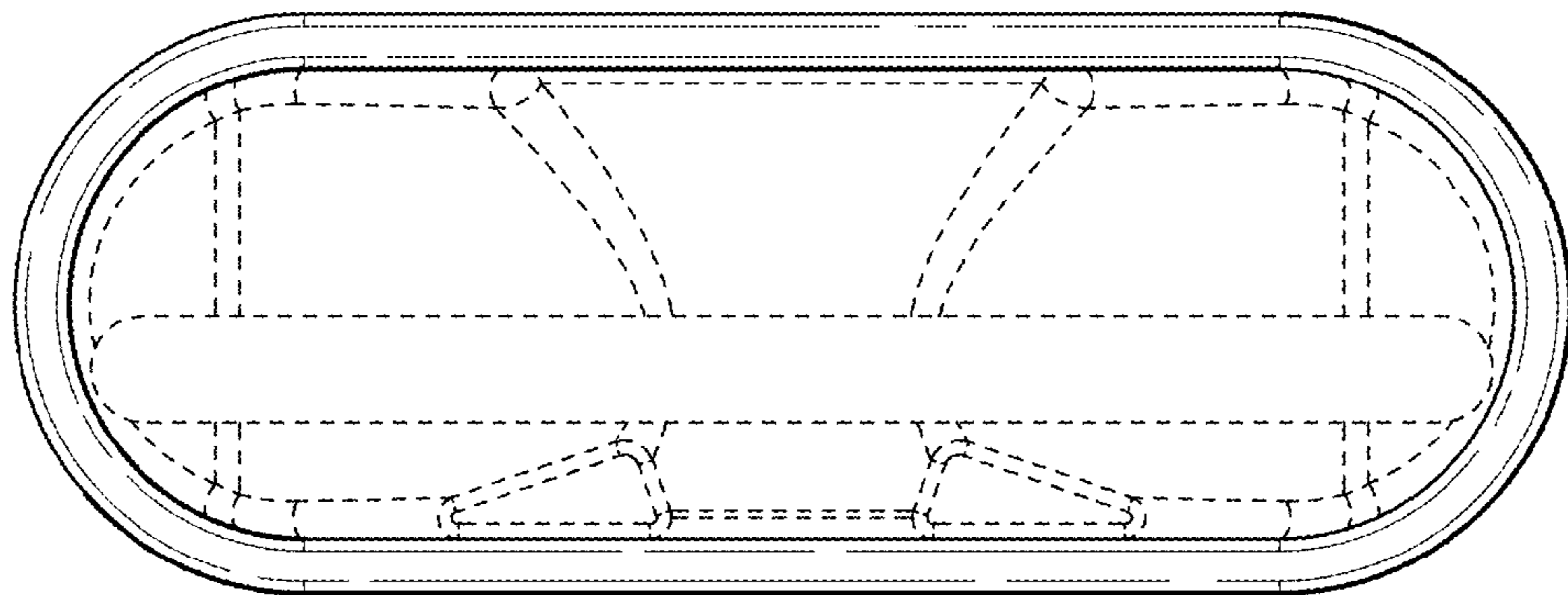


Fig. 5

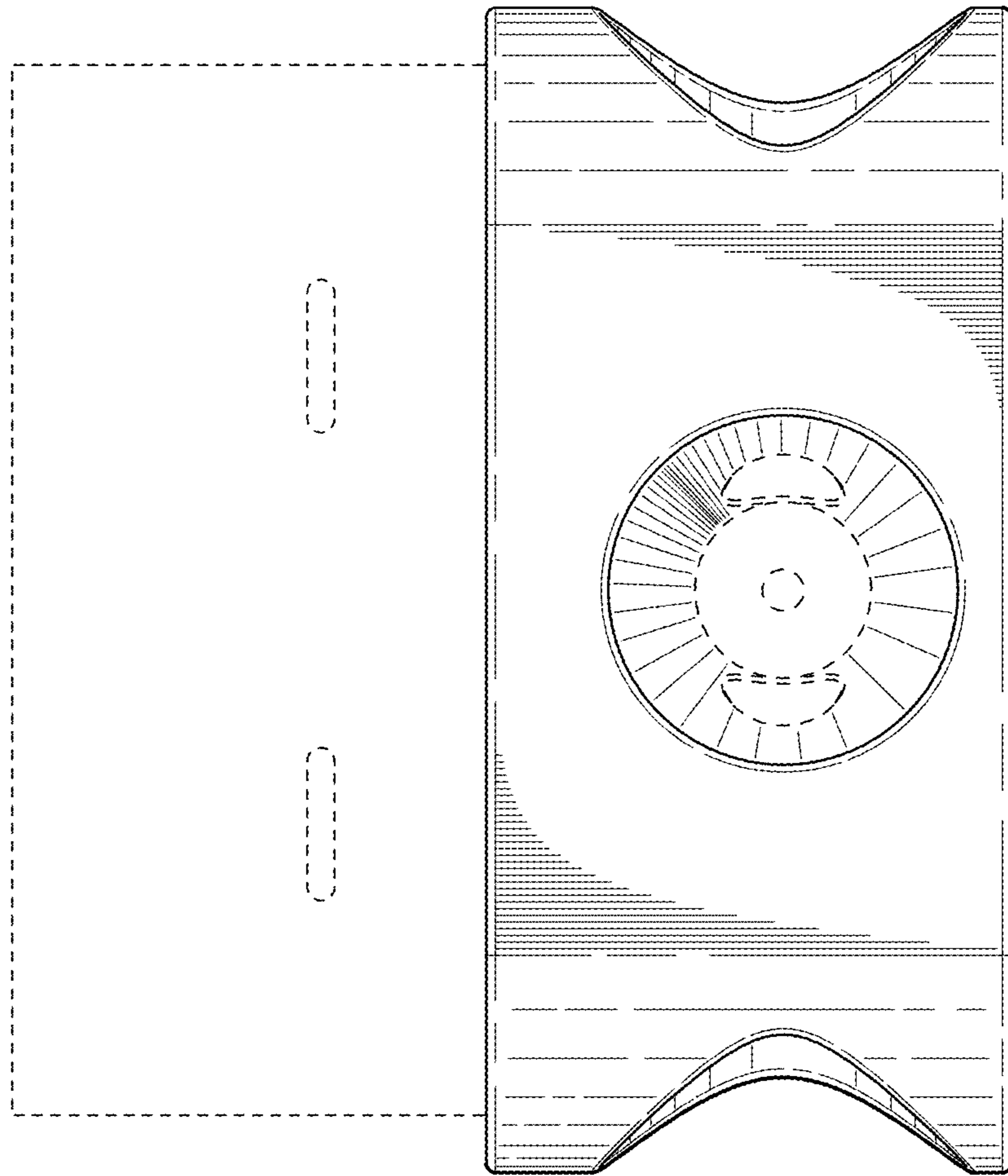


Fig. 6

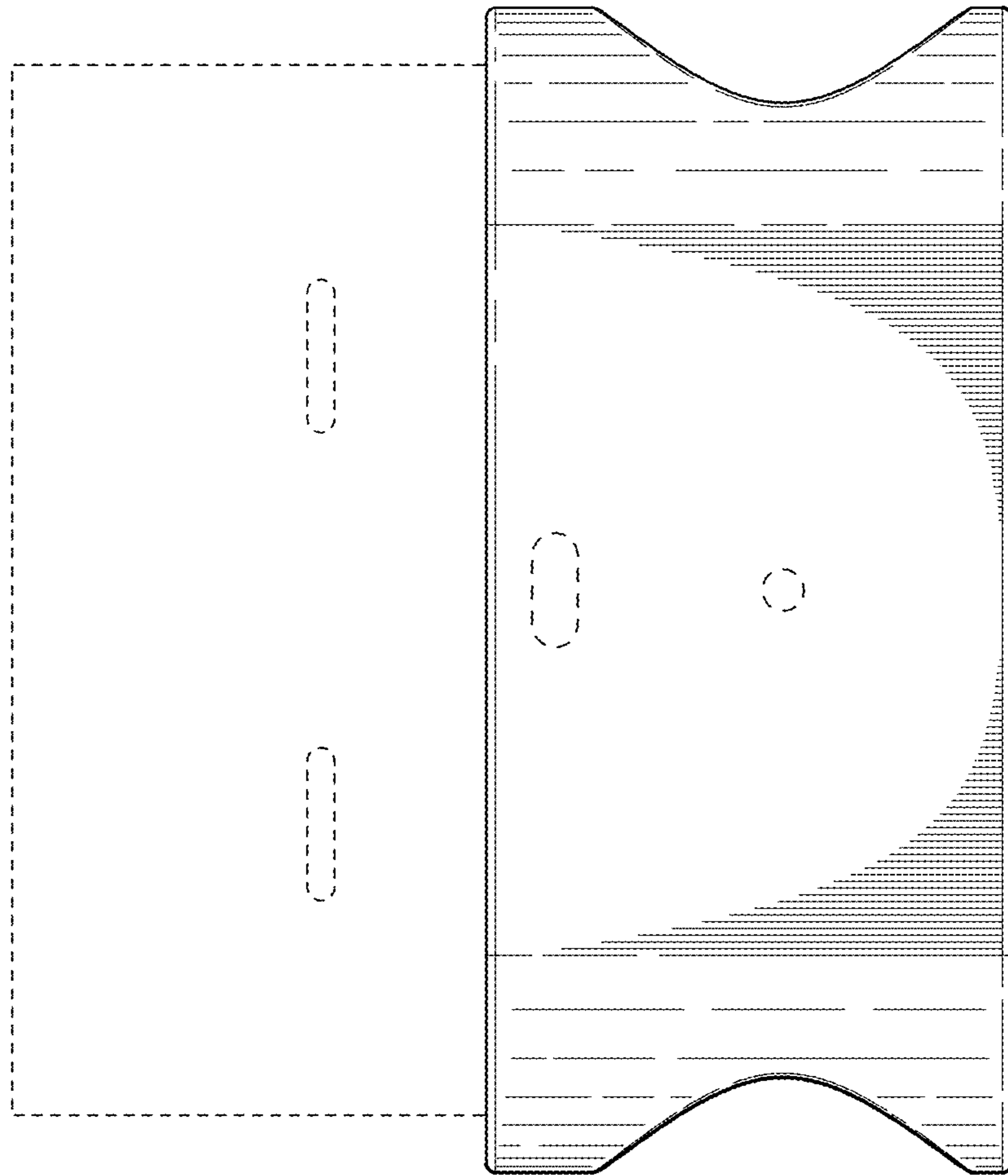


Fig. 7

UNITED STATES PATENT AND TRADEMARK OFFICE
CERTIFICATE OF CORRECTION

PATENT NO. : D916,187 S
APPLICATION NO. : 29/703115
DATED : April 13, 2021
INVENTOR(S) : T. Hornung

Page 1 of 1

It is certified that error appears in the above-identified patent and that said Letters Patent is hereby corrected as shown below:

On the Title Page

| <u>Column</u> | <u>Line</u> | |
|---------------|-------------|-----------------------------------------------------|
| 2 | 4 | Description, change "3 front" to -- 3 is a front -- |

Signed and Sealed this
Twenty-fifth Day of January, 2022



Drew Hirshfeld
*Performing the Functions and Duties of the
Under Secretary of Commerce for Intellectual Property and
Director of the United States Patent and Trademark Office*