



US00D916183S

(12) **United States Design Patent**
Odachi

(10) **Patent No.:** **US D916,183 S**

(45) **Date of Patent:** **** Apr. 13, 2021**

- (54) **PRINTER**
- (71) Applicant: **CANON KABUSHIKI KAISHA**,
Tokyo (JP)
- (72) Inventor: **Ayaka Odachi**, Tokyo (JP)
- (73) Assignee: **Canon Kabushiki Kaisha**, Tokyo (JP)
- (**) Term: **15 Years**
- (21) Appl. No.: **29/762,563**
- (22) Filed: **Dec. 17, 2020**

D744,028 S	11/2015	Odachi	
D760,177 S *	6/2016	Gassner	D13/168
D770,316 S *	11/2016	Wilkinson	D10/106.2
D784,934 S *	4/2017	Fretz	D13/168
D851,698 S *	6/2019	Oishi	D18/50
D896,786 S *	9/2020	Yang	D14/218
D897,970 S *	10/2020	Beilfuss	D13/162
D899,382 S *	10/2020	Dong	D13/168
D902,180 S *	11/2020	Shigeta	D14/218
D903,758 S	12/2020	Odachi	
D903,759 S	12/2020	Odachi	
D908,169 S *	1/2021	Ikeda	D18/43
2012/0326987 A1 *	12/2012	Frojdih	G06F 3/0202 345/168
2020/0098482 A1 *	3/2020	Groves	G06F 3/02

Related U.S. Application Data

- (62) Division of application No. 29/667,686, filed on Oct. 24, 2018.

Foreign Application Priority Data

- Apr. 25, 2018 (JP) 2018009146
- (51) **LOC (13) Cl.** **14-02**
- (52) **U.S. Cl.**
USPC **D18/56**
- (58) **Field of Classification Search**
USPC D18/18, 41, 56; D14/218; D13/168
CPC B41J 15/12; B41J 15/42; G06F 3/02
See application file for complete search history.

References Cited

U.S. PATENT DOCUMENTS

- D487,286 S * 3/2004 Hoshiya D14/248
- D556,821 S * 12/2007 Horiguchi D18/41
- D688,214 S * 8/2013 Ducret D13/168
- D730,979 S * 6/2015 Anantha D18/50

OTHER PUBLICATIONS

Co-pending design U.S. Appl. No. 29/740,769, filed Jul. 7, 2020.

* cited by examiner

Primary Examiner — Kevin K Rudzinski

Assistant Examiner — J. Thorn, Sr.

(74) *Attorney, Agent, or Firm* — Venable LLP

CLAIM

The ornamental design for a printer, as shown and described.

DESCRIPTION

FIG. 1 is a perspective view of a printer showing my new design;
 FIG. 2 is a front view thereof; and,
 FIG. 3 is an enlarged front view of a window portion thereof.
 The broken lines in the drawings illustrate portions of the printer which form no part of the claimed design.

1 Claim, 2 Drawing Sheets

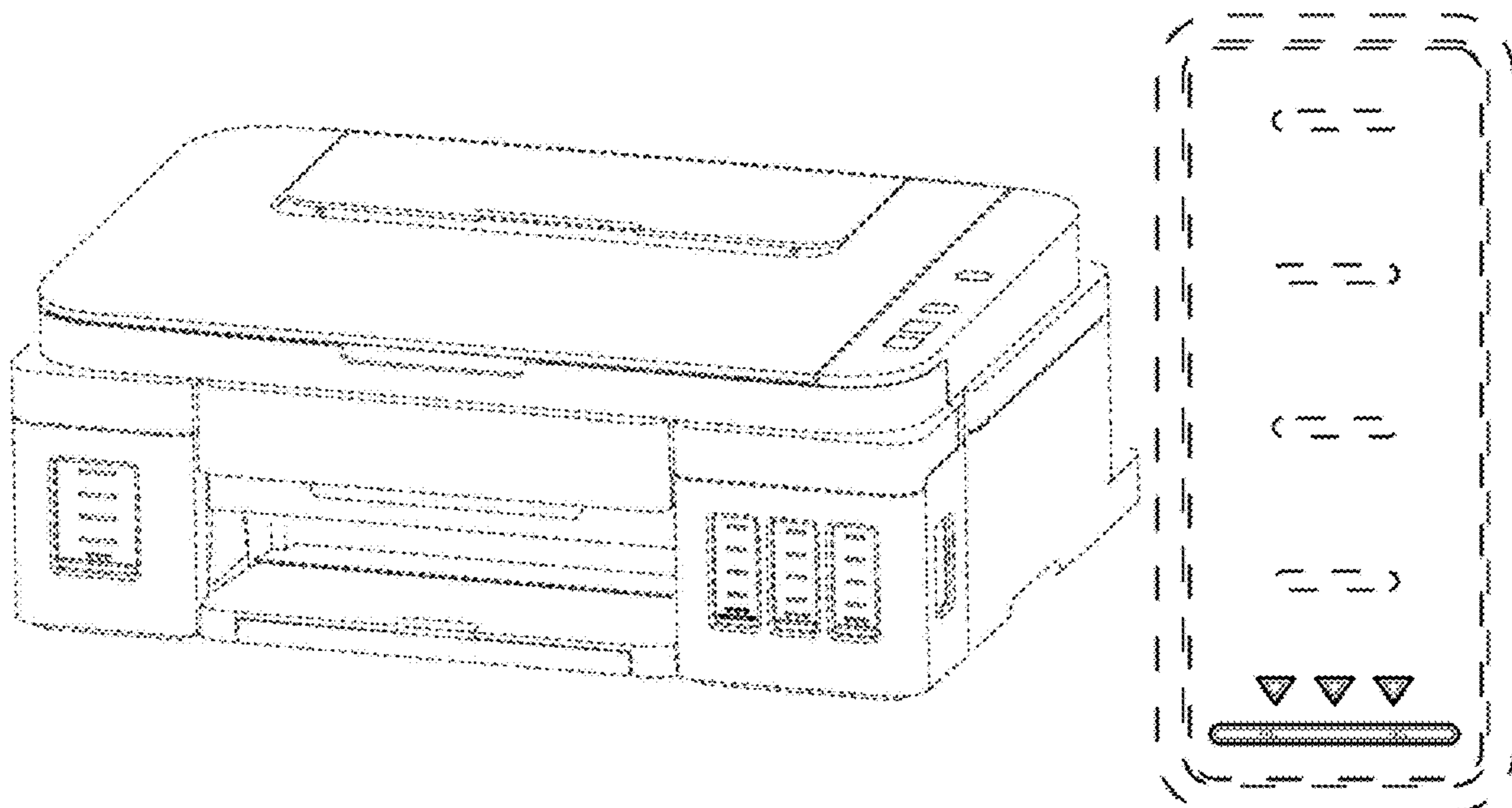


FIG. 1

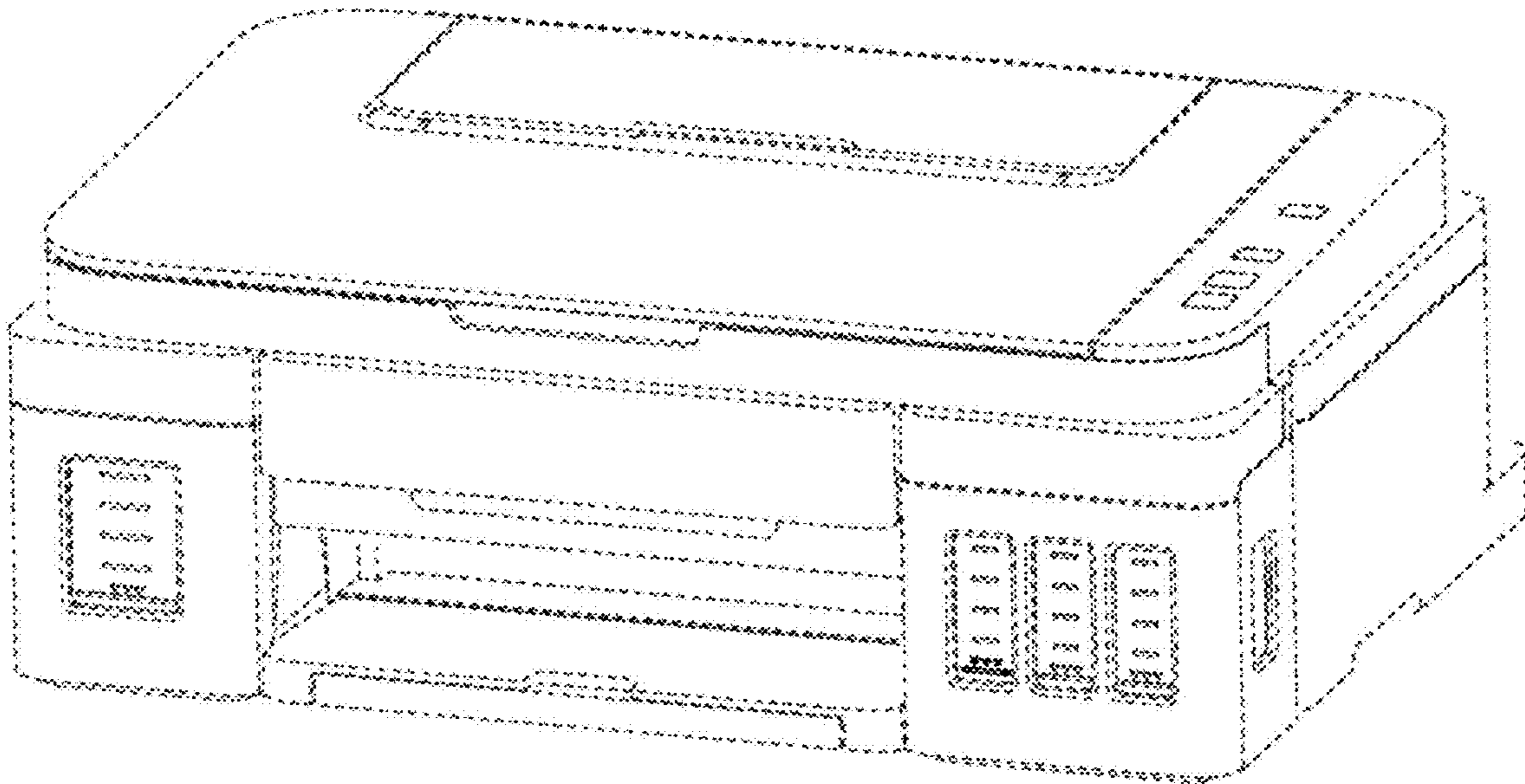


FIG. 2

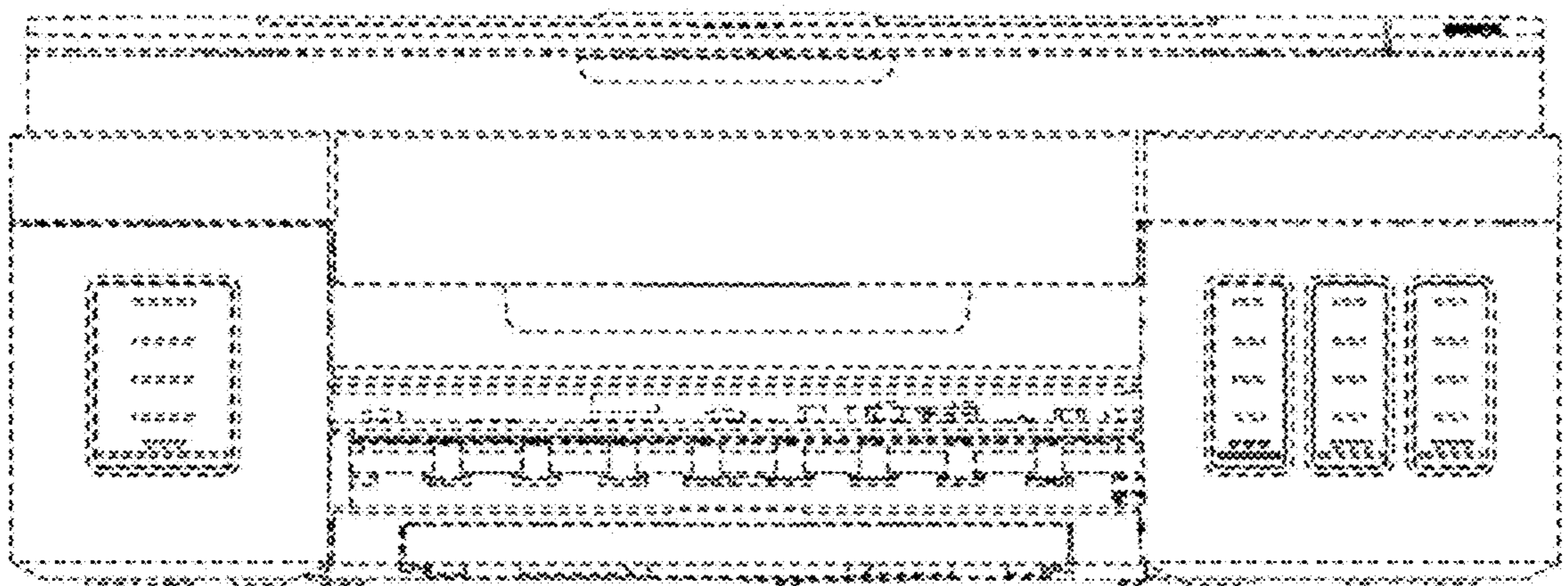


FIG. 3

