



US00D916182S

(12) **United States Design Patent**  
**Odachi**

(10) **Patent No.:** **US D916,182 S**  
(45) **Date of Patent:** **\*\* Apr. 13, 2021**

- (54) **PRINTER**
- (71) Applicant: **CANON KABUSHIKI KAISHA,**  
Tokyo (JP)
- (72) Inventor: **Ayaka Odachi,** Tokyo (JP)
- (73) Assignee: **Canon Kabushiki Kaisha,** Tokyo (JP)
- (\*\*) Term: **15 Years**
- (21) Appl. No.: **29/762,385**
- (22) Filed: **Dec. 16, 2020**

D896,786 S *	9/2020	Yang	.....	D14/218
D897,970 S *	10/2020	Beilfuss	.....	D13/162
D899,382 S *	10/2020	Dong	.....	D13/168
D902,180 S *	11/2020	Shigeta	.....	D14/218
D903,758 S	12/2020	Odachi		
D903,759 S	12/2020	Odachi		
D908,169 S *	1/2021	Ikeda	.....	D18/43
2012/0326987 A1 *	12/2012	Frojdh	.....	G06F 3/0202 345/168
2020/0098482 A1 *	3/2020	Groves	.....	G06F 3/02

**Related U.S. Application Data**

- (62) Division of application No. 29/667,686, filed on Oct. 24, 2018.

**Foreign Application Priority Data**

- Apr. 25, 2018 (JP) ..... 2018-009145

- (51) **LOC (13) Cl.** ..... **14-02**

- (52) **U.S. Cl.**  
USPC ..... **D18/56**

- (58) **Field of Classification Search**  
USPC ..... D18/18, 41, 56; D14/218; D13/168  
CPC ..... B41J 15/12; B41J 15/42; G06F 3/02  
See application file for complete search history.

(56) **References Cited**

**U.S. PATENT DOCUMENTS**

D487,286 S *	3/2004	Hoshiya	.....	D14/248
D556,821 S *	12/2007	Horiguchi	.....	D18/41
D688,214 S *	8/2013	Ducet	.....	D13/168
D730,979 S *	6/2015	Anantha	.....	D18/50
D744,028 S	11/2015	Odachi		
D760,177 S *	6/2016	Gassner	.....	D13/168
D770,316 S *	11/2016	Wilkinson	.....	D10/106.2
D784,934 S *	4/2017	Fretz	.....	D13/168
D851,698 S *	6/2019	Oishi	.....	D18/50

**OTHER PUBLICATIONS**

Canon PIXMA G6020 All-In-One Supertank Wireless (Megatank) Printer, Copier and Scan with M, posted 2019 [online], (retrieved Feb. 3, 2021). Retrieved from the internet, [https://www.amazon.com/Canon-Wireless-Business-Printer-Supertank/dp/B07SQZNSQY/ref=sr\\_1\\_2?crid=33EQ9JWMOCHW9&dchild=1&keywords%E2%80%A6](https://www.amazon.com/Canon-Wireless-Business-Printer-Supertank/dp/B07SQZNSQY/ref=sr_1_2?crid=33EQ9JWMOCHW9&dchild=1&keywords%E2%80%A6) (Year: 2019).\*

Canon—PIXMA MegaTank G5020 Wireless Inkjet Printer, posted NA [online], (retrieved Feb. 3, 2021). Retrieved from the internet, <https://www.bestbuy.com/site/canon-pixma-megatank-g5020-wireless-inkjet-printer-black/6356232.p?skuId=6356232> (Year: NA).\*

Co-pending Design U.S. Appl. No. 29/740,769, filed Jul. 7, 2020.

\* cited by examiner

*Primary Examiner* — Kevin K Rudzinski

*Assistant Examiner* — J. Thorn, Sr.

(74) *Attorney, Agent, or Firm* — Venable LLP

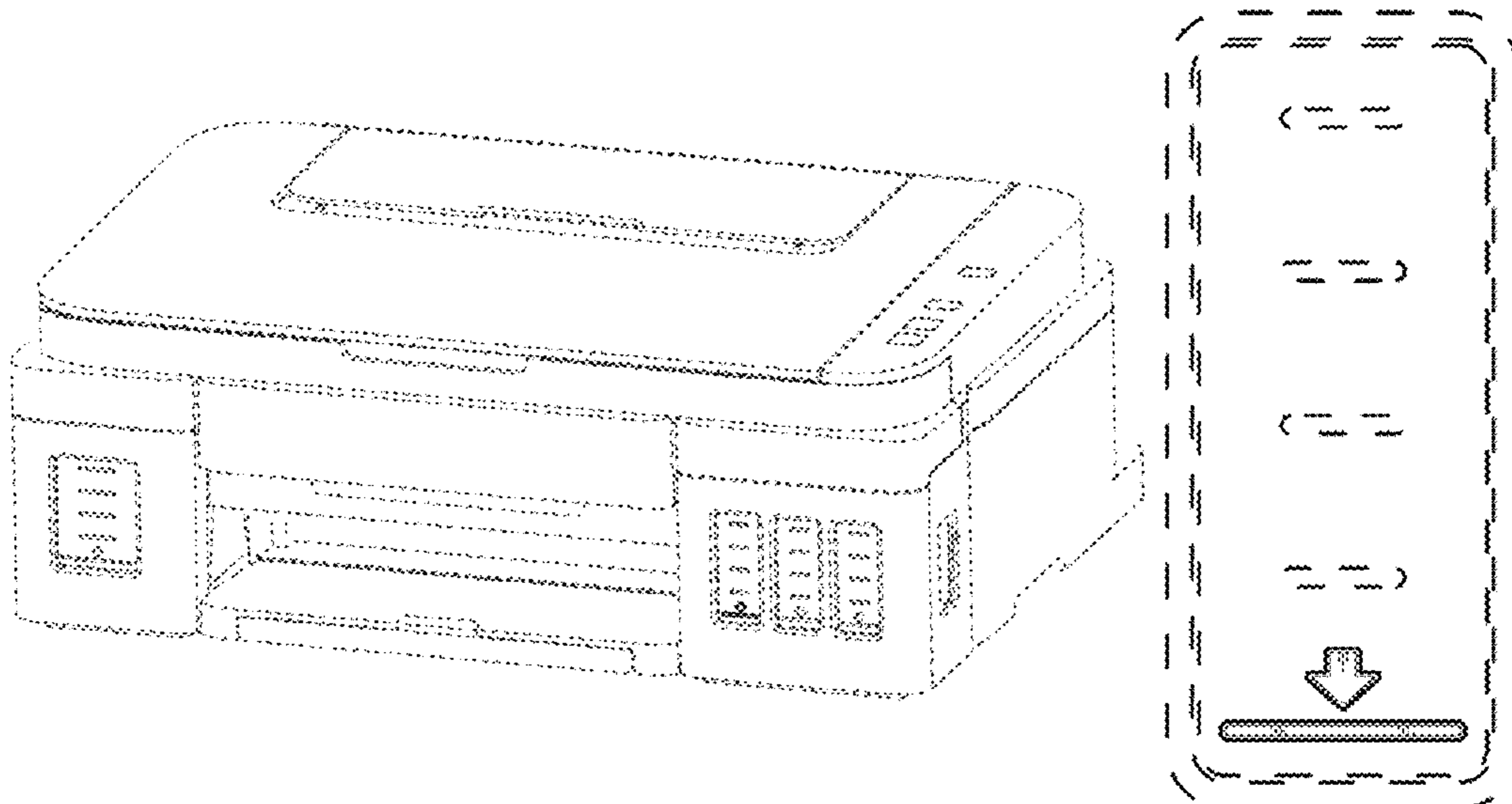
(57) **CLAIM**

The ornamental design for a printer, as shown and described.

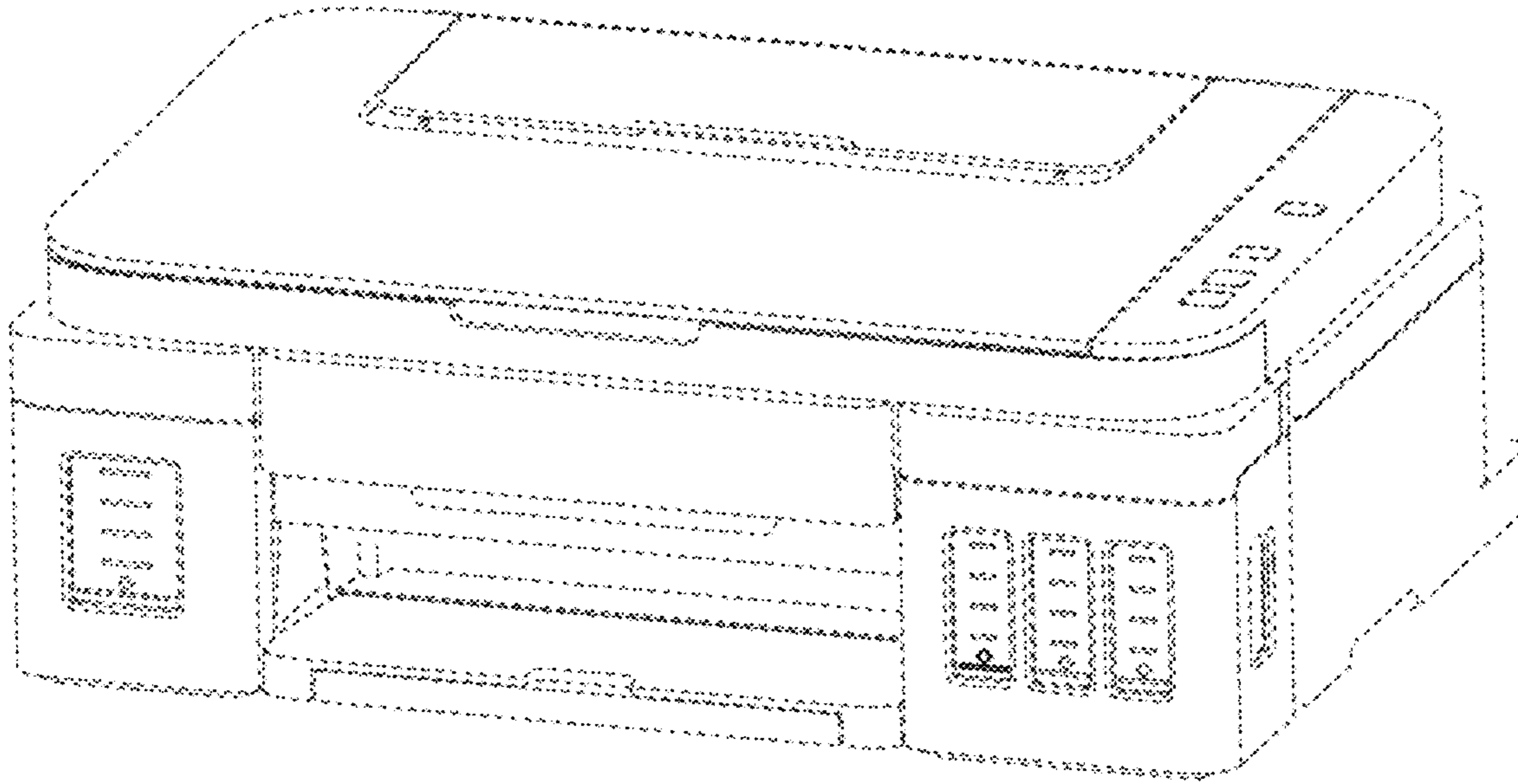
**DESCRIPTION**

FIG. 1 is a perspective view of a printer showing my new design;  
FIG. 2 is a front view thereof; and,  
FIG. 3 is an enlarged front view of a window portion thereof.  
The broken lines in the drawings illustrate portions of the printer which form no part of the claimed design.

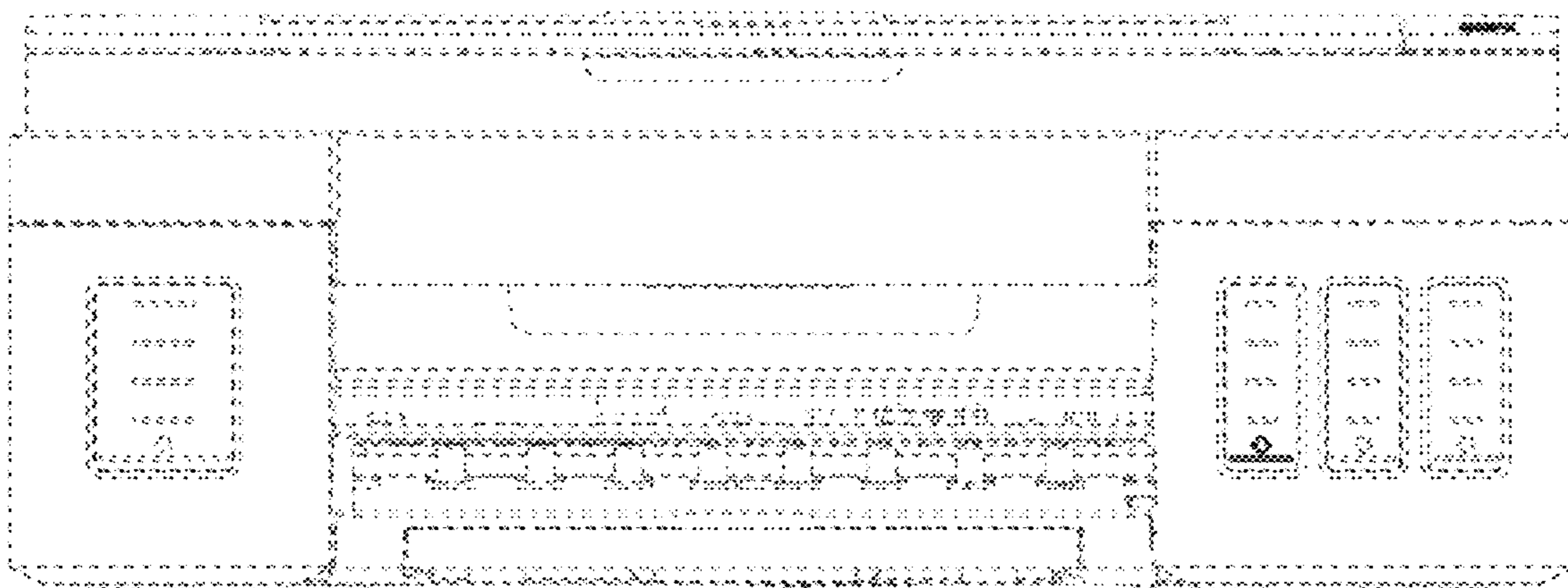
**1 Claim, 2 Drawing Sheets**



**FIG. 1**



**FIG. 2**



**FIG. 3**

