



US00D916179S

(12) **United States Design Patent**
Chaklos et al.

(10) **Patent No.:** **US D916,179 S**
(45) **Date of Patent:** **** Apr. 13, 2021**

(54) **GUITAR-SHAPED RECORD PLAYER**

(71) Applicants: **Mike Chaklos**, Irvine, CA (US); **Paul Chaklos**, Irvine, CA (US)

(72) Inventors: **Mike Chaklos**, Irvine, CA (US); **Paul Chaklos**, Irvine, CA (US)

(**) Term: **15 Years**

(21) Appl. No.: **29/724,693**

(22) Filed: **Feb. 18, 2020**

(51) **LOC (13) Cl.** **17-99**

(52) **U.S. Cl.**
USPC **D17/99; D14/203.2**

(58) **Field of Classification Search**
USPC D17/14, 19, 99; D21/405; D14/158,
D14/172, 203.1, 203.2
CPC G10D 1/08; G10D 99/00; G10H 1/0033;
G10H 1/0066; G10H 1/0575
See application file for complete search history.

(56) **References Cited**

U.S. PATENT DOCUMENTS

- 1,896,484 A * 2/1933 Dopyera G10D 3/02
84/296
- 3,194,870 A * 7/1965 Tondreau G10D 1/085
84/726
- D258,216 S * 2/1981 Eventoff D14/189
- 4,467,692 A * 8/1984 Egan G10D 3/02
84/291
- D299,650 S * 1/1989 Mitchell D14/162
- D338,682 S * 8/1993 Threadgill D17/14
- 5,929,362 A * 7/1999 Oteyza G10D 1/085
84/293
- 6,605,765 B1 * 8/2003 Johnson G10D 1/00
84/267

- D510,946 S * 10/2005 Kitazawa D17/14
- D655,330 S * 3/2012 Tsai D17/14
- D733,792 S * 7/2015 Samimrad D17/19
- D790,634 S * 6/2017 Fisch D21/405
- D818,523 S * 5/2018 Tsai D17/14
- D845,268 S * 4/2019 He D14/202
- D873,235 S * 1/2020 Wang D14/201
- 2015/0059561 A1 * 3/2015 Mejia G10H 1/125
84/737

FOREIGN PATENT DOCUMENTS

JP 2011237652 A * 11/2011

OTHER PUBLICATIONS

Pinterest, <https://www.pinterest.ca/pin/572449802622259824/>. "Guitar Turntable". Date Unknown: Viewed Feb. 2021 (Year: 2021).*

* cited by examiner

Primary Examiner — R. Johnson

(74) *Attorney, Agent, or Firm* — Clement Cheng

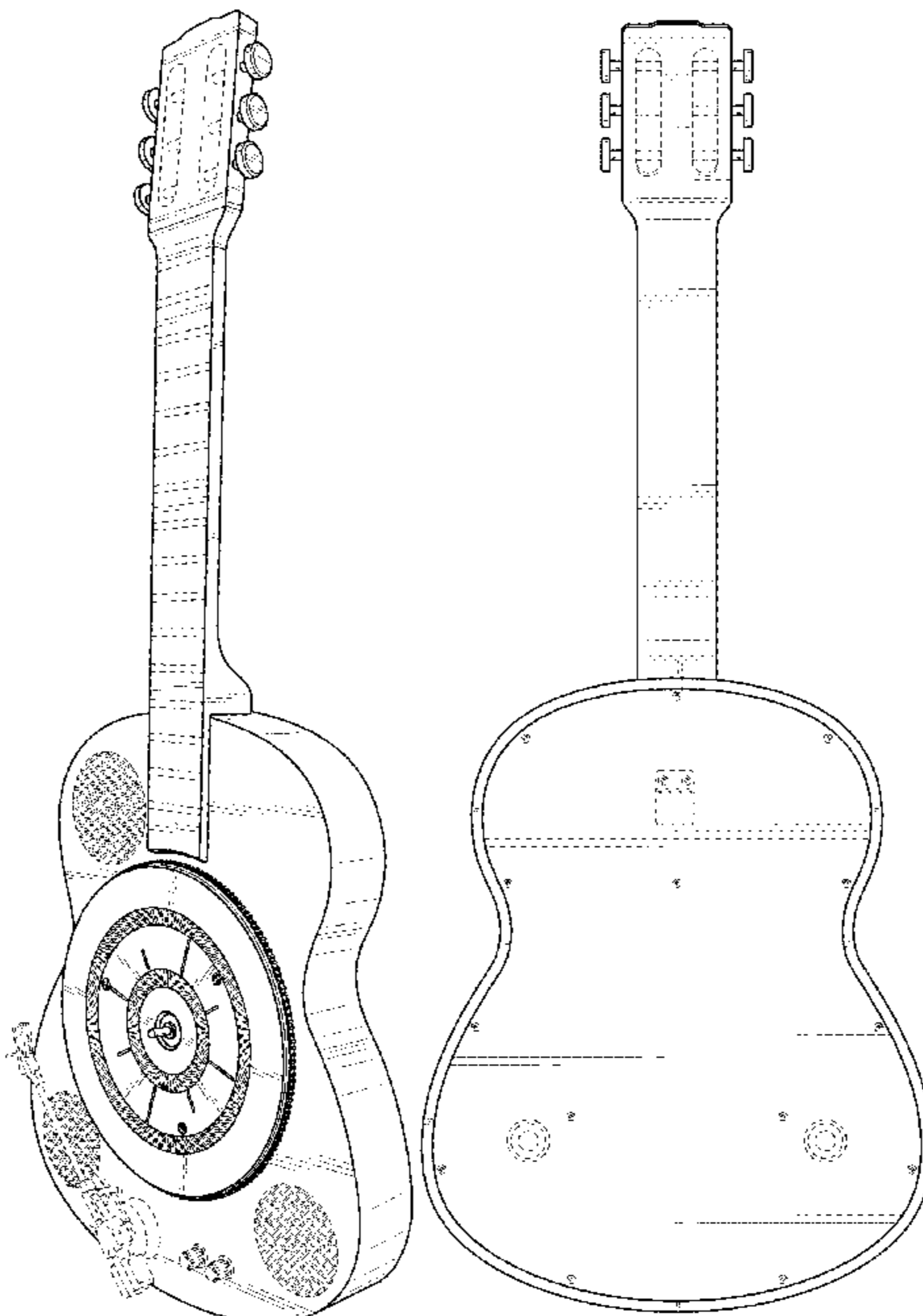
(57) **CLAIM**

The ornamental design for a guitar-shaped record player, as shown and described.

DESCRIPTION

FIG. 1 is a perspective view of a guitar-shaped record player showing our new design;
FIG. 2 is a front view thereof.
FIG. 3 is a back view thereof.
FIG. 4 is a right side view thereof.
FIG. 5 is a left side view thereof.
FIG. 6 is a top view thereof; and,
FIG. 7 is a bottom view thereof.
The dotted line disclosure forms no part of the claimed invention.

1 Claim, 7 Drawing Sheets



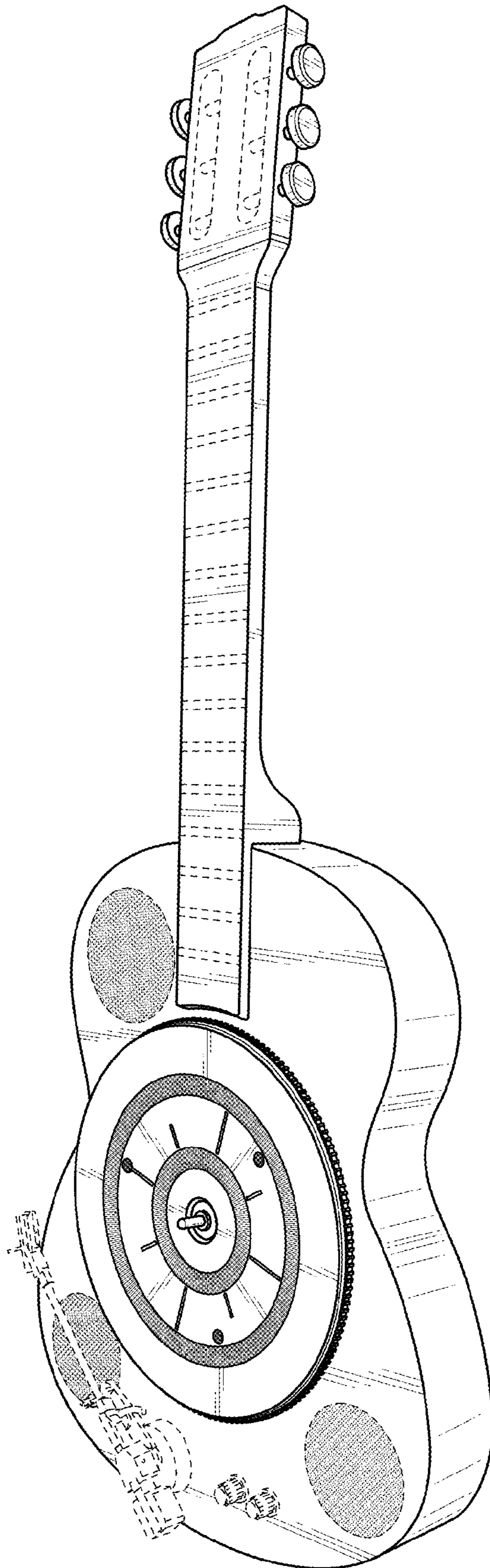


FIG. 1

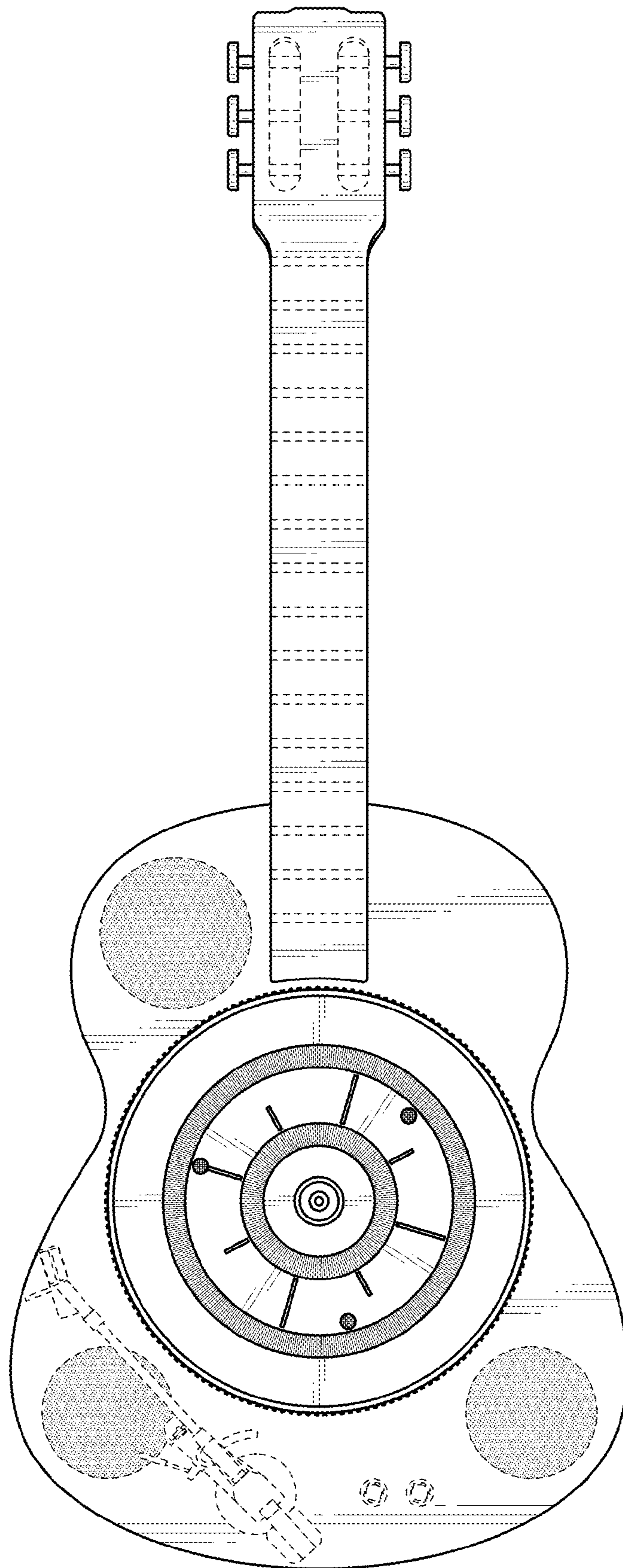


FIG. 2

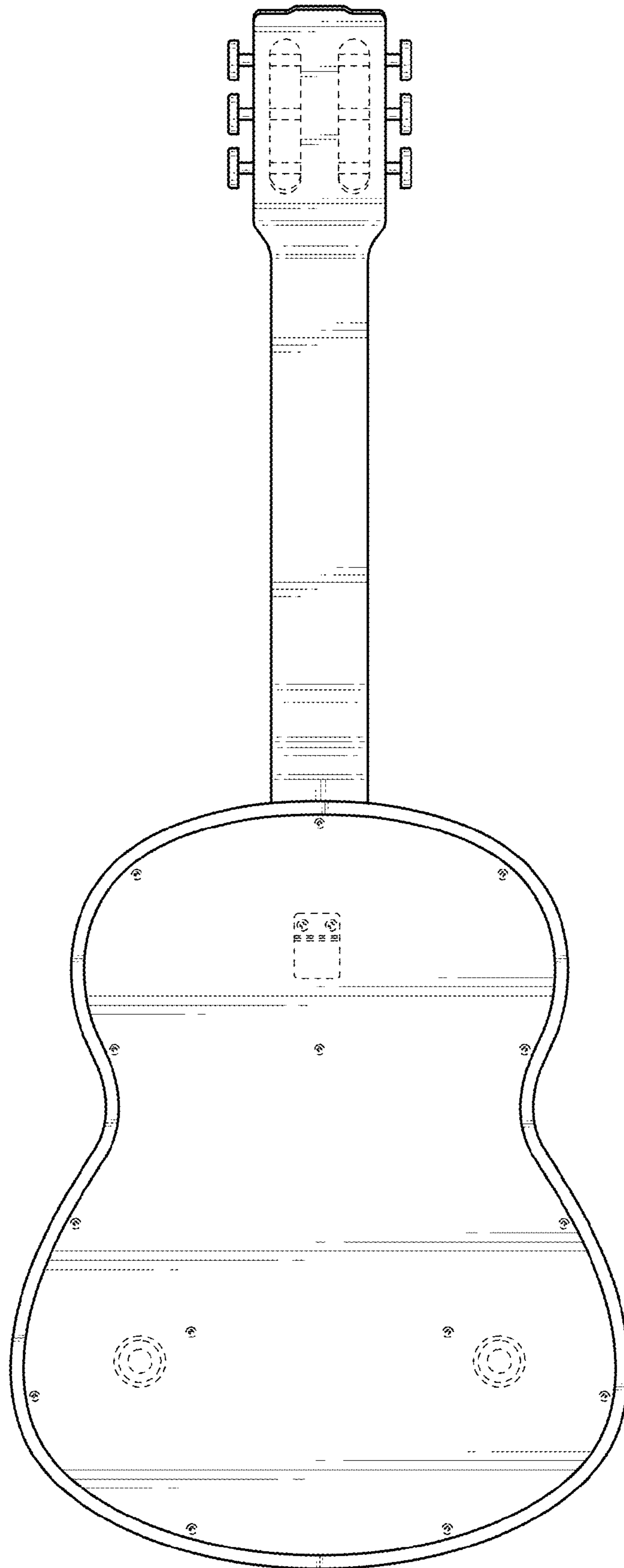


FIG. 3

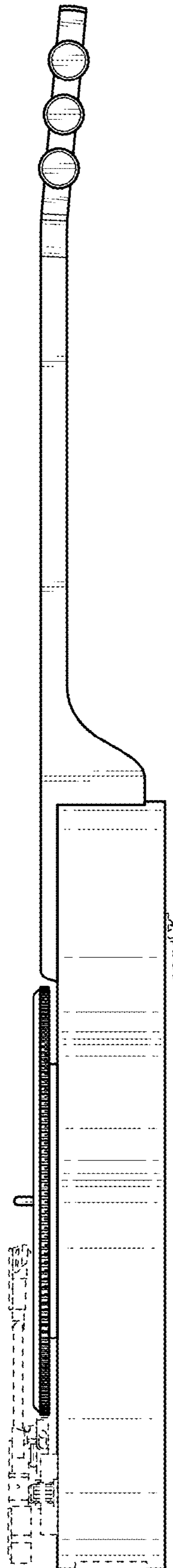


FIG. 4

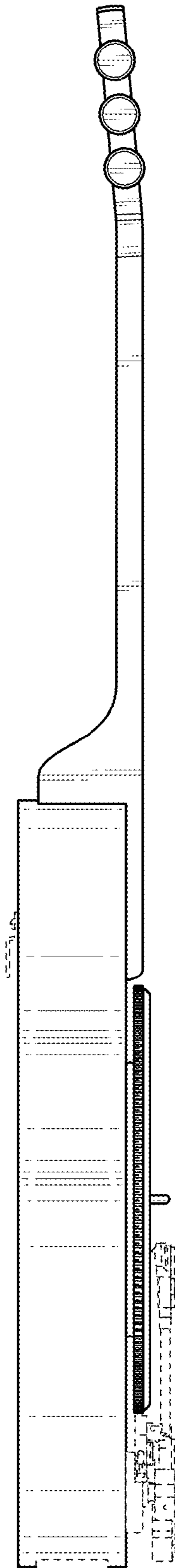


FIG. 5

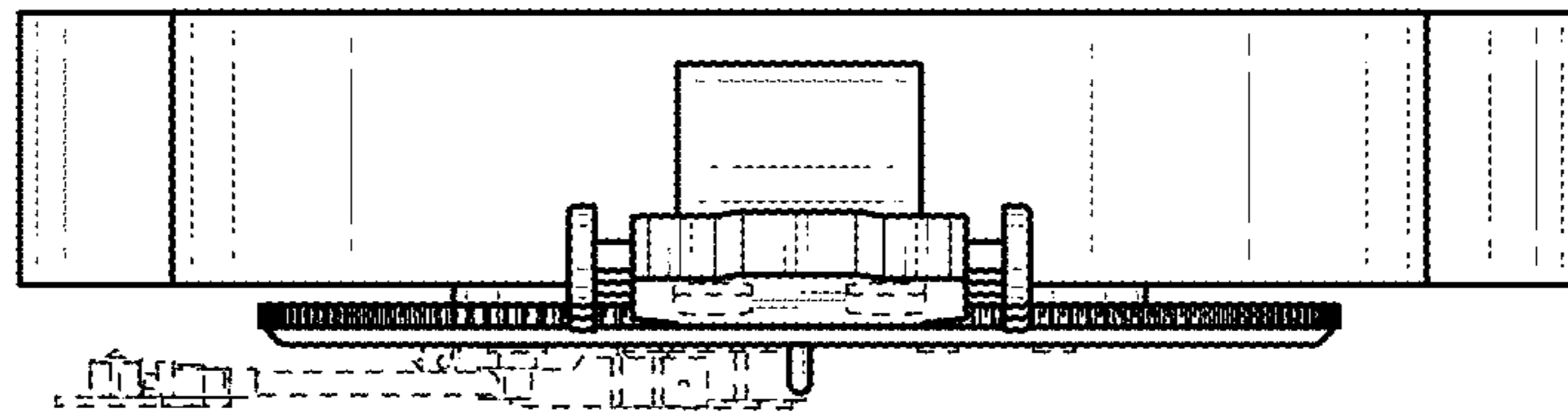


FIG. 6

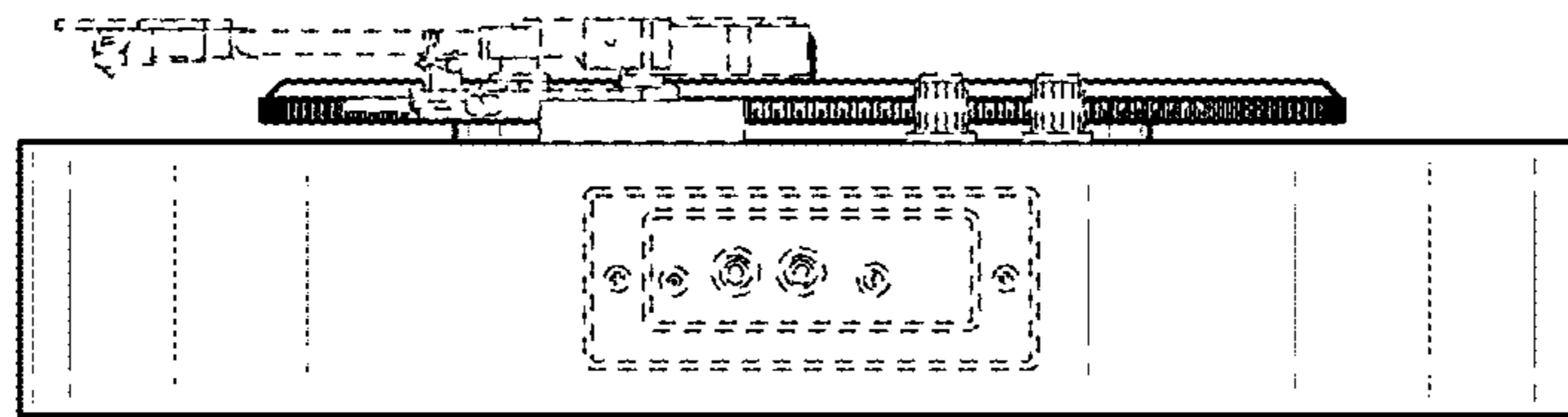


FIG. 7