



US00D916176S

(12) **United States Design Patent** (10) **Patent No.:** **US D916,176 S**  
**Crescenzi et al.** (45) **Date of Patent:** **\*\* Apr. 13, 2021**

(54) **EYEWEAR HINGE**

FOREIGN PATENT DOCUMENTS

(71) Applicant: **Liberty Sport, Inc.**, Fairfield, NJ (US)

CN 305297660 \* 8/2019  
CN 305376979 \* 10/2019

(72) Inventors: **Deni Crescenzi**, Toronto (CA); **Kevin Pierre Meric**, Caudry (FR); **Richard Chau Quoc-Hue**, Markham (CA); **Jason Clerk**, Ontario, CA (US)

OTHER PUBLICATIONS

Jinsheu eyewear, announced unknow, [online], [site visited Nov. 17, 2020]. Available from Internet, <URL:https://www.alibaba.com/product-detail/custom-made-unbreakable-rubber-glasses-frame\_60778560717.html> (Year: 2020).\*

(73) Assignee: **Liberty Sport, Inc.**, Fairfield, NJ (US)

(\*\*) Term: **15 Years**

(Continued)

(21) Appl. No.: **29/691,617**

*Primary Examiner* — Sanjeev Paul

(22) Filed: **May 17, 2019**

(74) *Attorney, Agent, or Firm* — Myers Wolin, LLC

(51) **LOC (13) Cl.** ..... **16-06**

(52) **U.S. Cl.**  
USPC ..... **D16/335**

(57) **CLAIM**

(58) **Field of Classification Search**  
USPC ..... 351/43, 44-47, 49, 59, 63, 69, 104, 123, 351/126, 131, 132, 135, 145; D16/101, D16/300-342; D29/108-110; D14/372; D11/40-44  
CPC ..... G02C 5/22; G02C 5/2218; G02C 5/2236; G02C 5/2245; G02C 5/2254; G02C 5/2272; G02C 5/14; G02C 5/143; G02C 5/146; G02C 5/18; G02C 5/20; G02C 5/12; G02C 5/124; G02C 5/126; G02C 11/02; G02C 11/06; G02C 7/10; G02C 9/04; A61F 9/00

The ornamental design for eyewear hinge, as shown and described.

See application file for complete search history.

**DESCRIPTION**

(56) **References Cited**

U.S. PATENT DOCUMENTS

3,052,160 A \* 9/1962 Ratti ..... G02C 5/10 351/83  
3,627,406 A \* 12/1971 Blumenthal ..... B29D 12/02 351/159.41  
4,820,036 A \* 4/1989 Seet ..... G02C 3/003 351/156  
4,904,075 A \* 2/1990 Blumenthal ..... G02C 5/16 351/113

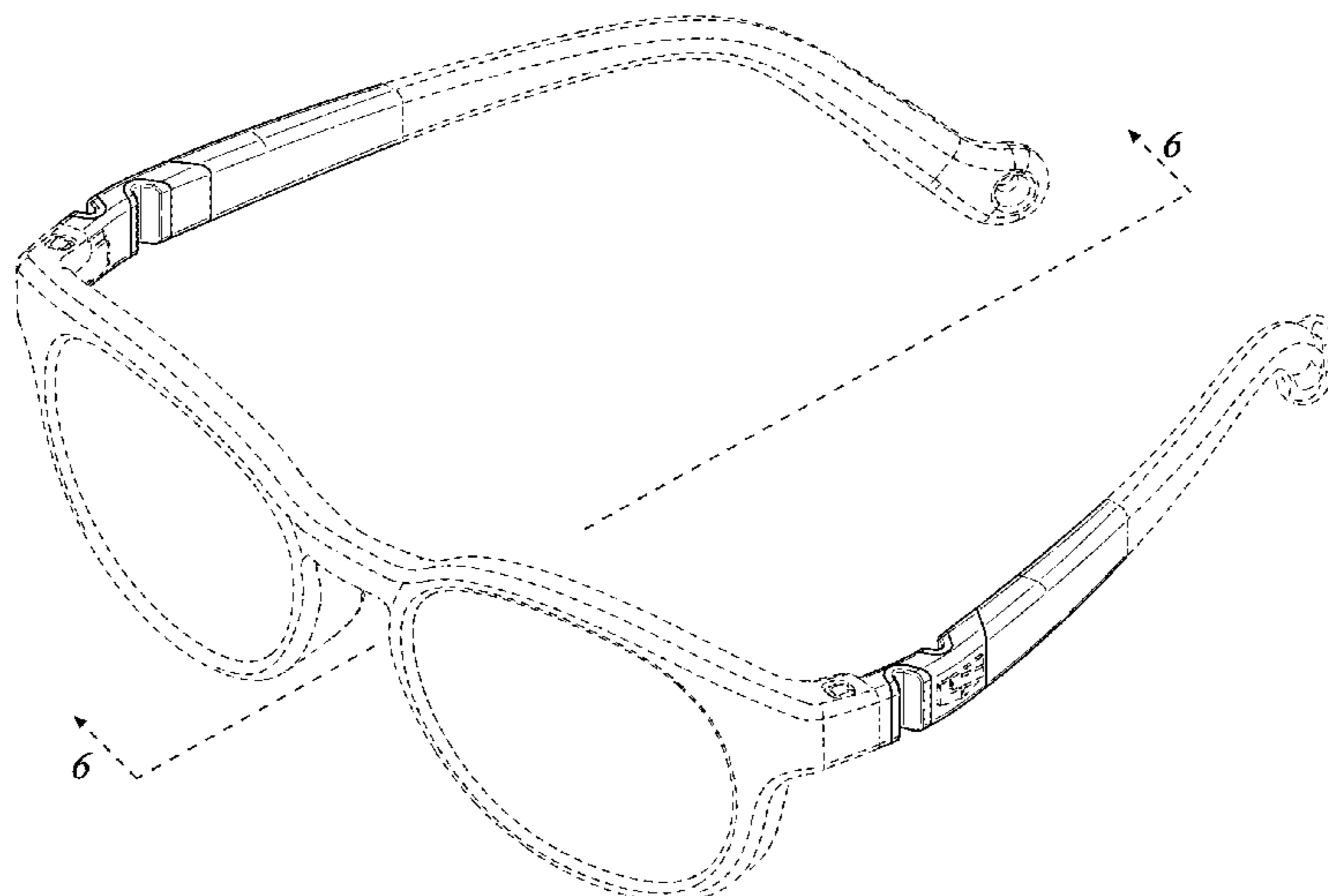
FIG. 1 is a front top right perspective view of an eyewear hinge showing our new design;  
FIG. 2 is a back bottom left perspective view thereof;  
FIG. 3 is a top view thereof;  
FIG. 4 is a bottom view thereof;  
FIG. 5 is a right side view thereof, the left side view being symmetric therewith; and,  
FIG. 6 is a left side sectioned view thereof, the section taken along line 6-6 in FIG. 1, the right side sectioned view thereof being symmetric therewith.

The dash-dot-dash lines illustrate bounds of the claim, and the dashed lines illustrate environmental subject matter, neither of which form a part of the claim.

The "LS" design, shown in broken lines and forming no part of the claimed design, is a trademark of Liberty Sport, Inc., having an address of 107 Fairfield Road, Fairfield, New Jersey 07004.

(Continued)

**1 Claim, 5 Drawing Sheets**



(56)

**References Cited**

U.S. PATENT DOCUMENTS

5,059,017 A \* 10/1991 Bennato ..... G02C 5/10  
 351/121  
 D349,508 S \* 8/1994 Conway ..... D16/335  
 5,386,254 A \* 1/1995 Kahaney ..... G02C 3/003  
 351/116  
 5,408,279 A \* 4/1995 Chiou ..... G02C 3/04  
 351/121  
 D377,041 S \* 12/1996 Garneau ..... D16/335  
 D377,499 S \* 1/1997 Garneau ..... D16/326  
 D379,633 S \* 6/1997 Garneau ..... D16/315  
 D392,992 S \* 3/1998 Freeman ..... D16/335  
 D845,382 S \* 4/2019 Le Grand ..... D16/335  
 D880,572 S \* 4/2020 Lu ..... D16/311  
 D899,507 S \* 10/2020 Paulet Vazquez ..... D16/334  
 2010/0053546 A1 \* 3/2010 Lanaro ..... G02C 5/16  
 351/114  
 2016/0320632 A1 \* 11/2016 Paulet Vazquez ... G02C 5/2272  
 2017/0176770 A1 \* 6/2017 Wang Lee ..... G02C 5/143

OTHER PUBLICATIONS

KiETLA eyewear, announced unknow, [online], [site visited Nov. 17, 2020]. Available from Internet, <URL:https://www.cowmakesmoo.com/accessories-for-school-kids-eco-friendly-backpacks-lunch-bags-box-/kids-style/sunglasses-for-kids/ki-et-la-kids-shades-for-9-12-years-old-crazyg-zag-sun-rozz-zig-zag.html> (Year: 2020).\*

Liberty Sport:Z8-Y80, announced unknow, [online], [site visited Nov. 17, 2020]. Available from Internet, <URL:https://opticsoutfitter.com/products/z8-y80?variant=36433096605863> (Year: 2020).\*

\* cited by examiner

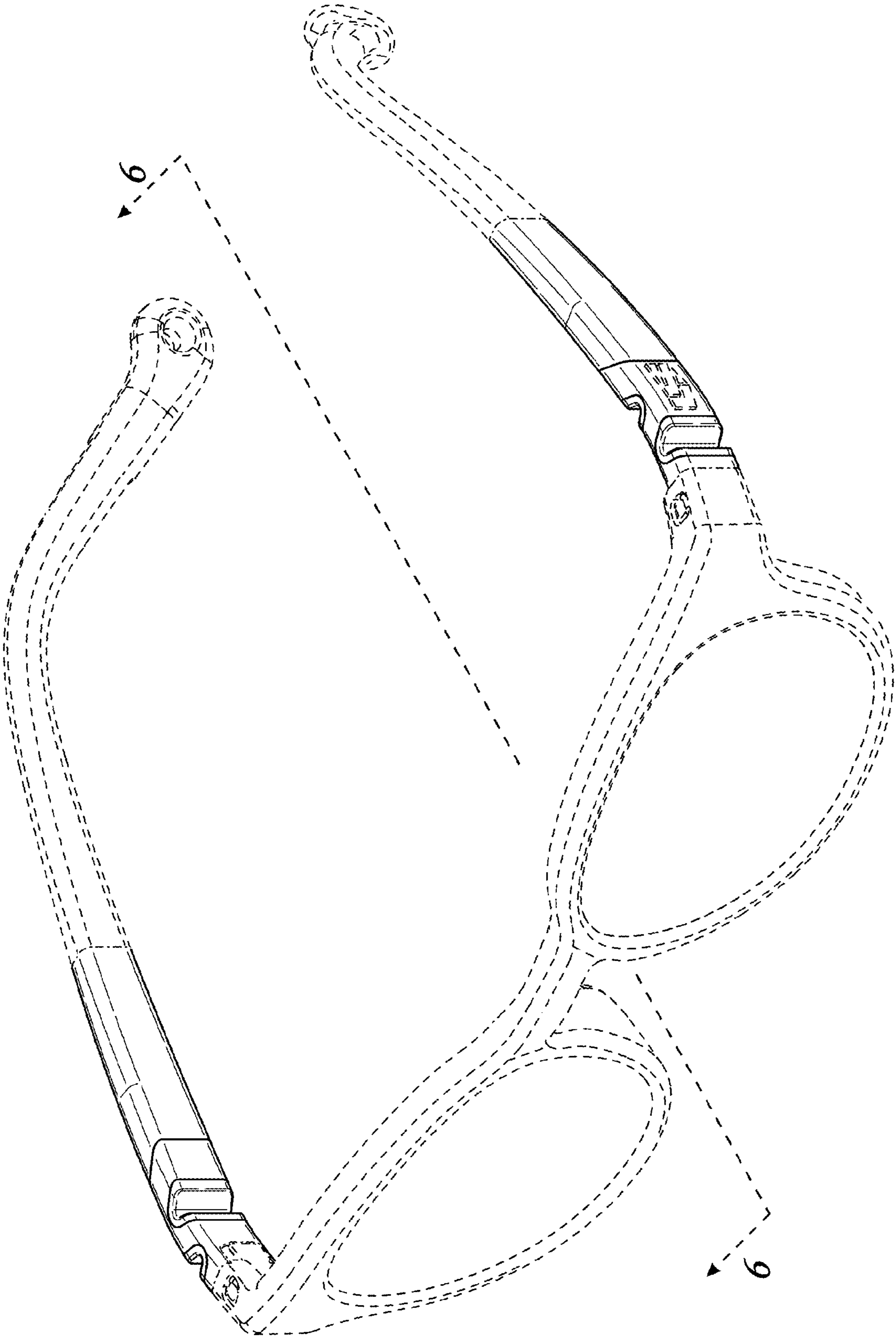


FIG. 1

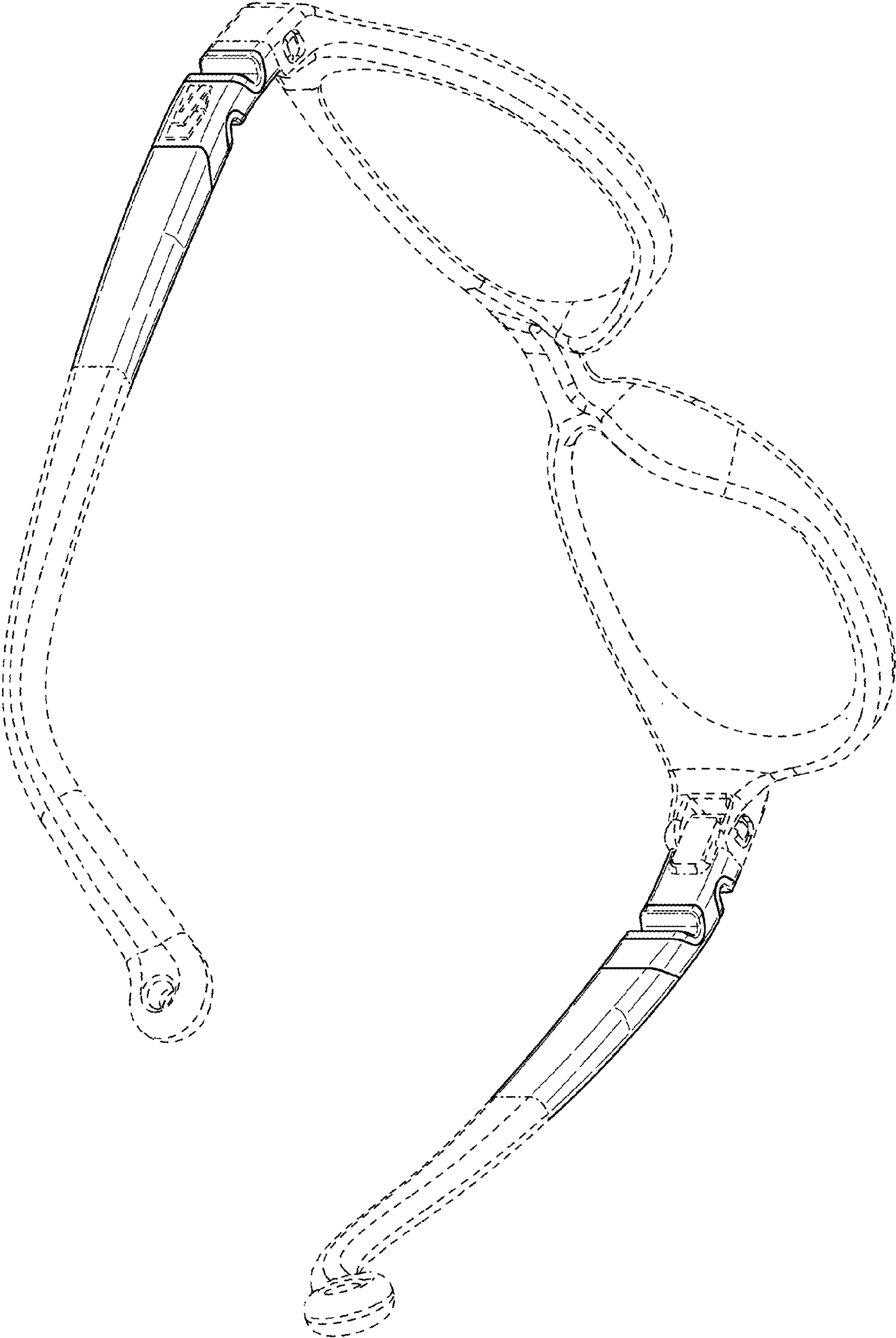
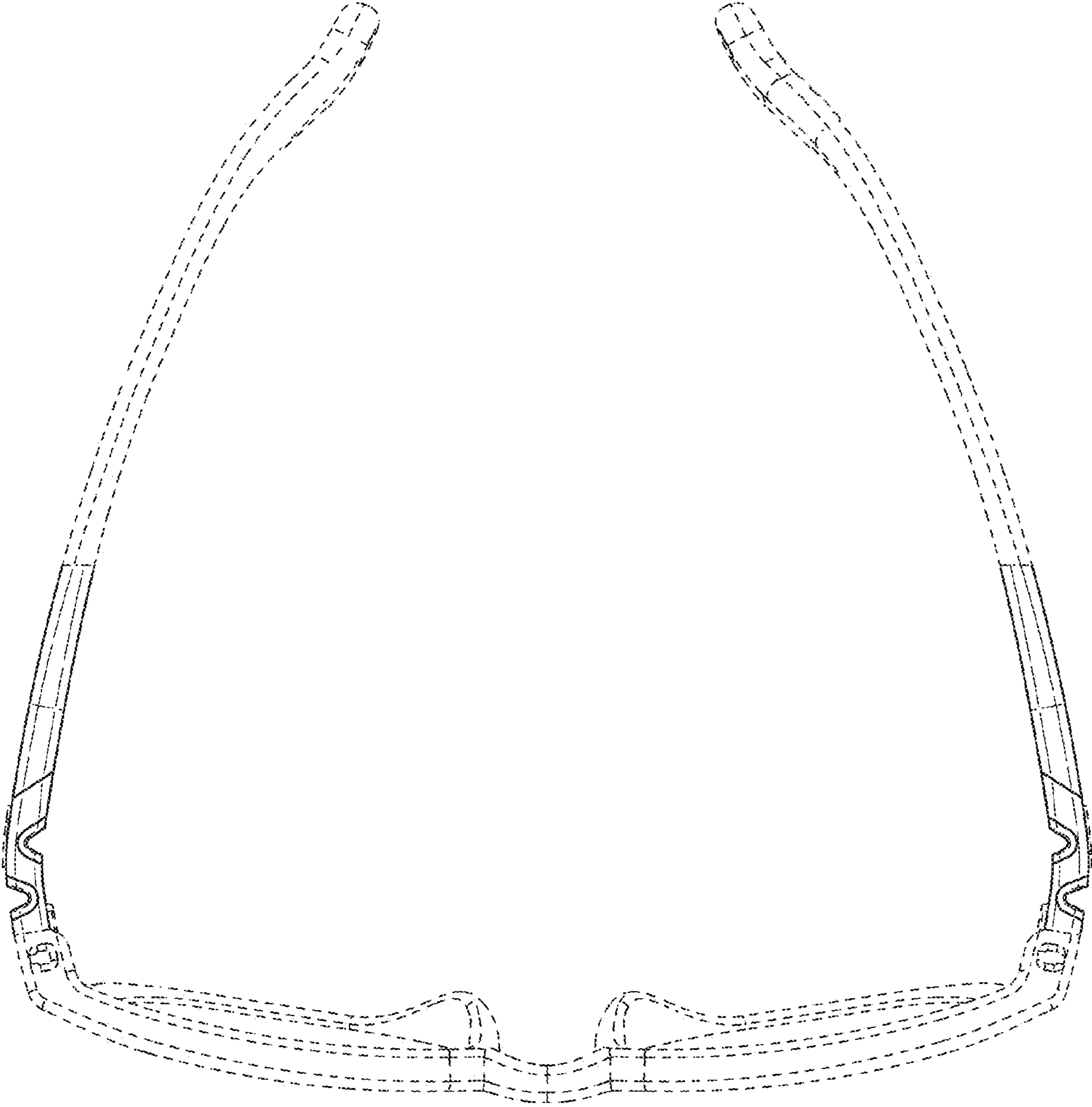
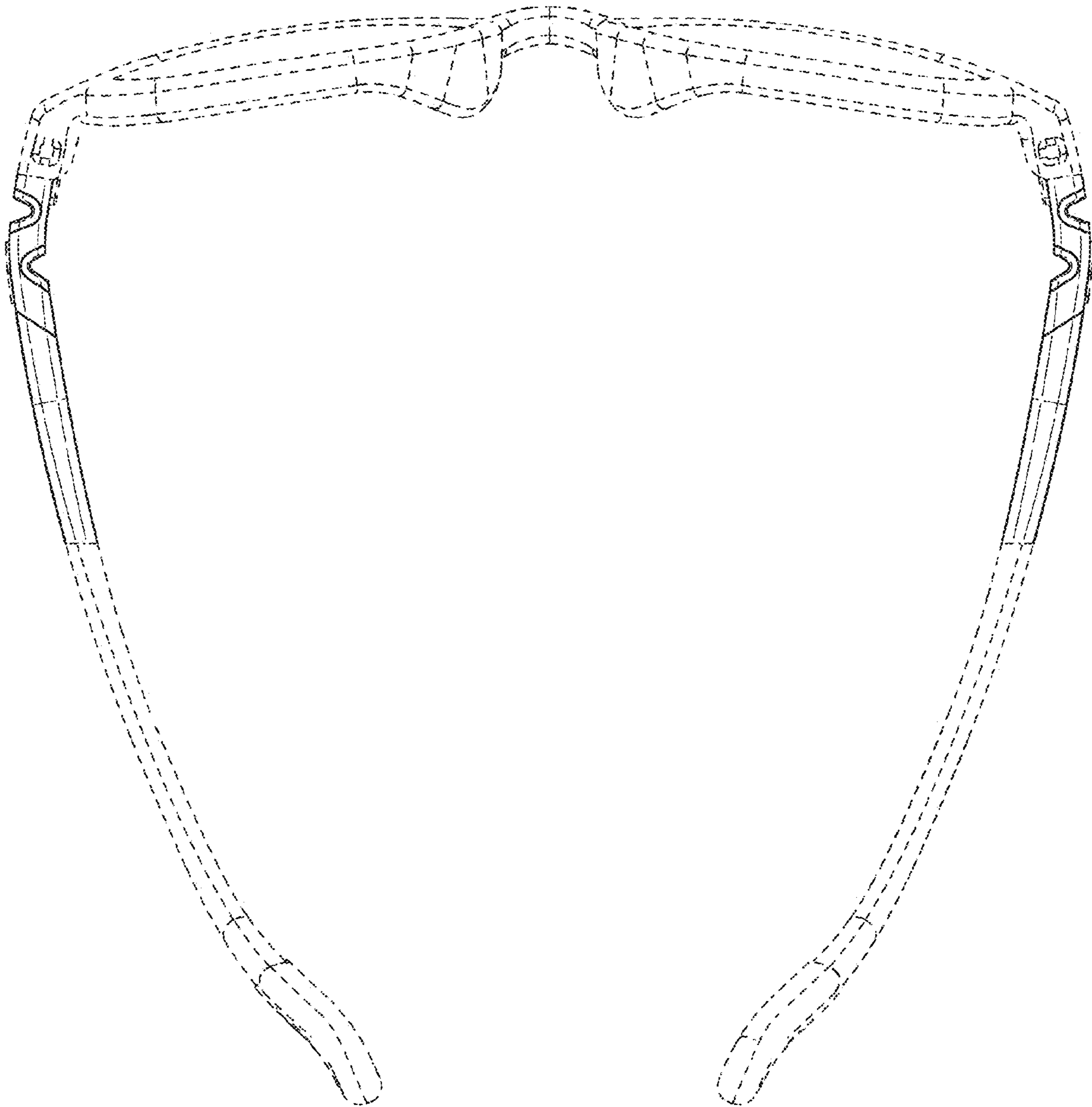


FIG. 2

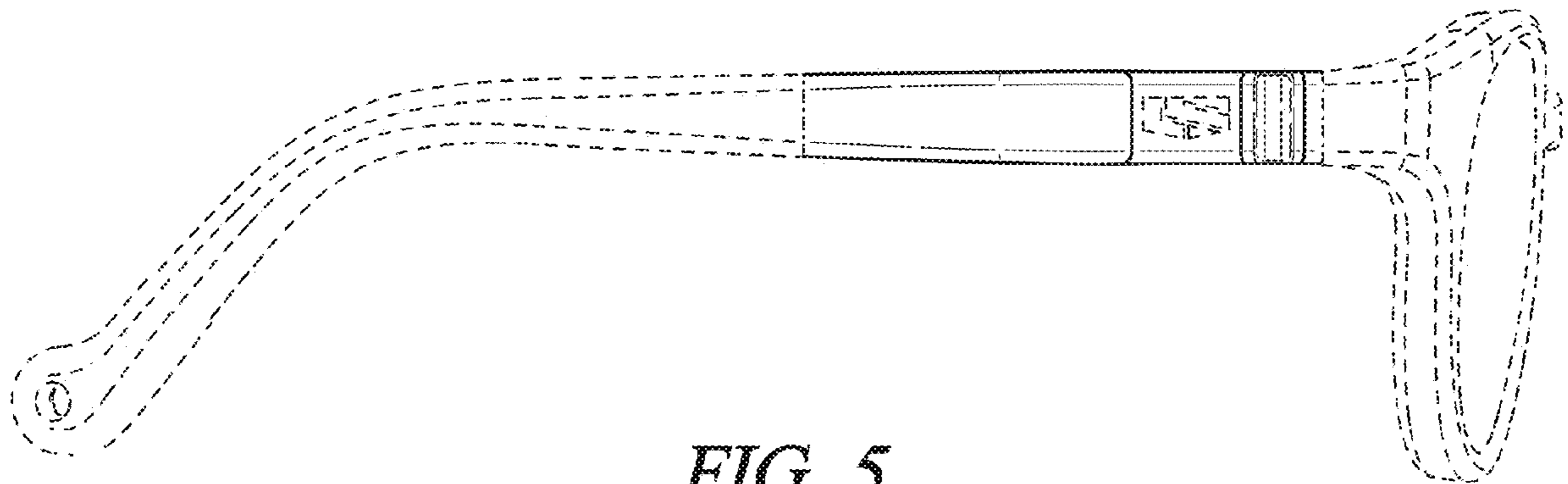




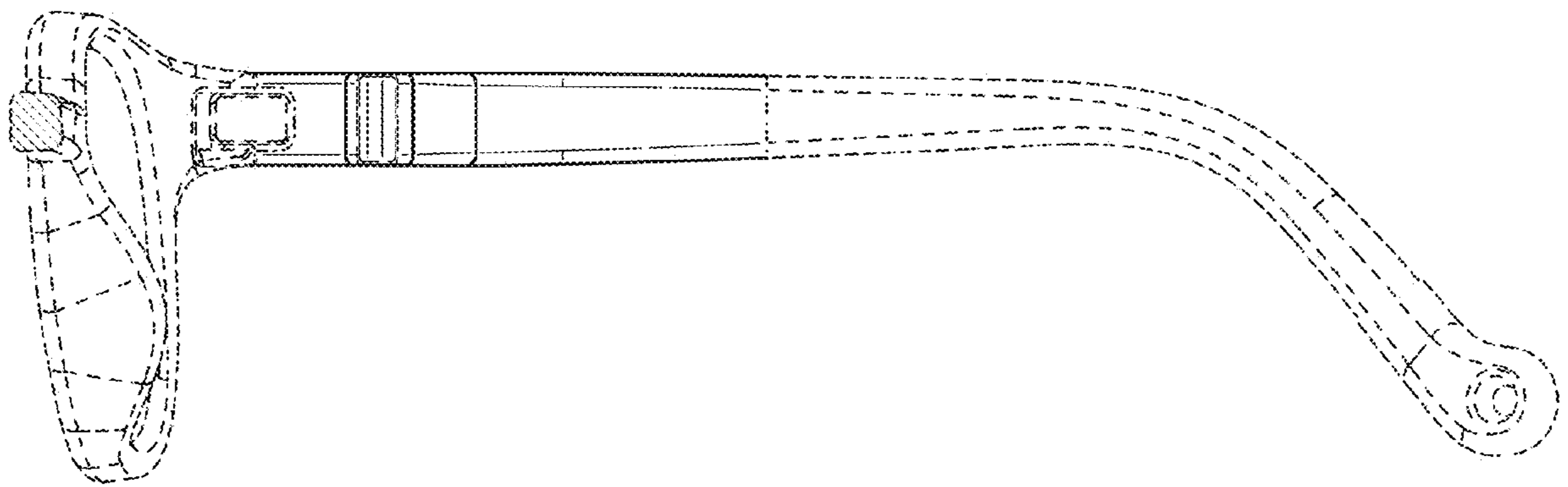
*FIG. 3*



*FIG. 4*



*FIG. 5*



*FIG. 6*

UNITED STATES PATENT AND TRADEMARK OFFICE  
**CERTIFICATE OF CORRECTION**

PATENT NO. : D916,176 S  
APPLICATION NO. : 29/691617  
DATED : April 13, 2021  
INVENTOR(S) : Crescenzi et al.

Page 1 of 1

It is certified that error appears in the above-identified patent and that said Letters Patent is hereby corrected as shown below:

On the Title Page

Item (72)

Inventor Name to be corrected from “Richard Chau Quoc-Hue” to “Quoc-Hue Richard Chau”.

The city of residence for inventor Jason Clerk to be corrected from “Ontario, CA (US)” to “Toronto (CA)”.

Signed and Sealed this  
Twenty-first Day of December, 2021



Drew Hirshfeld  
*Performing the Functions and Duties of the  
Under Secretary of Commerce for Intellectual Property and  
Director of the United States Patent and Trademark Office*