



US00D916175S

(12) **United States Design Patent**  
**Gong et al.**

(10) **Patent No.:** **US D916,175 S**  
(45) **Date of Patent:** **\*\* Apr. 13, 2021**

- (54) **TRIPOD**
- (71) Applicant: **Qiu Gong**, Zhongshan (CN)
- (72) Inventors: **Qiu Gong**, Zhongshan (CN); **Ruolin Huang**, Zhongshan (CN)
- (73) Assignee: **Qiu Gong**, Zhongshan (CN)
- (\*\*) Term: **15 Years**
- (21) Appl. No.: **29/720,206**
- (22) Filed: **Jan. 10, 2020**
- (30) **Foreign Application Priority Data**  
Jul. 25, 2019 (CN) ..... 201930398596.9
- (51) **LOC (13) Cl.** ..... **16-05**
- (52) **U.S. Cl.**  
USPC ..... **D16/244**
- (58) **Field of Classification Search**  
USPC ..... D16/219, 237-250; D8/354, 355, 363, D8/373, 382-383, 394-396; D14/224, D14/229, 238, 251, 253, 447, 451, 457  
CPC ..... F16M 11/06-10; F16M 11/14; G02B 7/00-002; G03B 17/561-566; H04N 5/2253-2254  
See application file for complete search history.

- D343,185 S \* 1/1994 Baker ..... D16/244
  - 5,320,316 A \* 6/1994 Baker ..... F16M 11/36 248/163.1
  - 6,631,877 B1 \* 10/2003 Crain ..... G01C 15/00 248/168
  - 7,654,494 B2 \* 2/2010 Cartoni ..... F16M 11/36 248/163.1
  - 8,231,088 B2 \* 7/2012 Lu ..... F16M 11/34 248/168
  - 8,534,620 B2 \* 9/2013 Zierer ..... F16M 11/34 248/168
  - D694,139 S \* 11/2013 Koeniger ..... D10/74
- (Continued)

**OTHER PUBLICATIONS**

Sirui SH15 Aluminum Video Tripod with Fluid Head SH15 B&H Photo, [online] Retrieved Feb. 11, 2021 from URL: [https://www.bhphotovideo.com/c/product/1495604-REG/sirui\\_sh15\\_75mm\\_bowl\\_aluminum\\_tripod.html](https://www.bhphotovideo.com/c/product/1495604-REG/sirui_sh15_75mm_bowl_aluminum_tripod.html).\*

(Continued)

*Primary Examiner* — Vy N Koenig  
(74) *Attorney, Agent, or Firm* — Myers Wolin, LLC

(57) **CLAIM**

The ornamental design for a tripod, as shown and described.

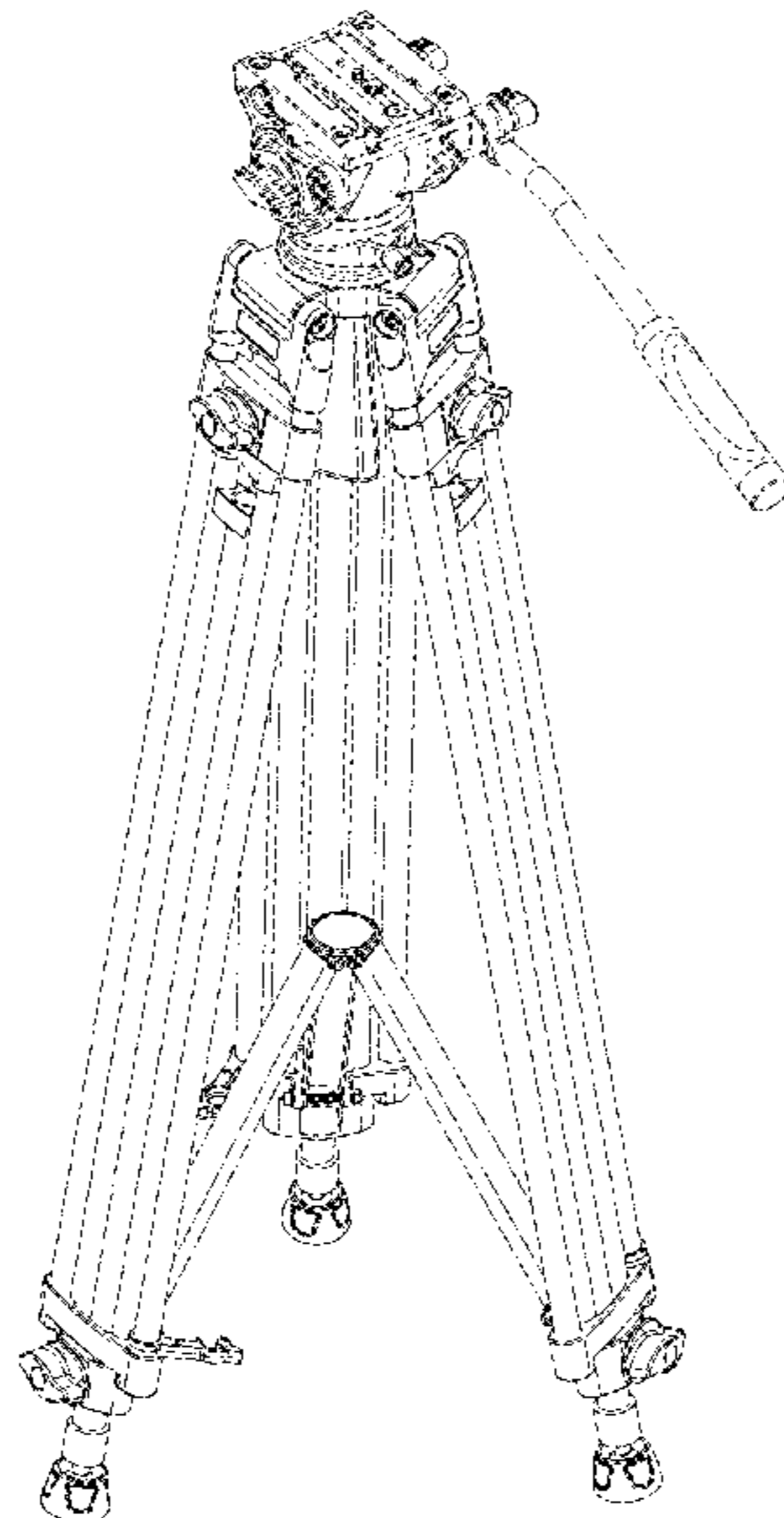
**DESCRIPTION**

FIG. 1 is a front elevation view of a tripod showing our new design;  
FIG. 2 is a rear elevation view thereof;  
FIG. 3 is a left-side elevation view thereof;  
FIG. 4 is a right-side elevation view thereof;  
FIG. 5 is a top plan view thereof;  
FIG. 6 is a bottom plan view thereof;  
FIG. 7 is a front perspective view thereof; and,  
FIG. 8 is a rear perspective view thereof.  
The broken lines depict portions of the tripod in which the design is embodied and form no part of the claimed design.

**1 Claim, 8 Drawing Sheets**

(56) **References Cited**  
U.S. PATENT DOCUMENTS

- D221,693 S \* 8/1971 Bradspies ..... D16/244
- 4,234,149 A \* 11/1980 Kawazoe ..... F16M 11/10 248/184.1
- D264,728 S \* 6/1982 Iwasaki ..... D16/244
- 4,455,005 A \* 6/1984 Mooney ..... F16M 11/34 248/188.8
- D276,622 S \* 12/1984 Mooney ..... D16/244
- 4,648,697 A \* 3/1987 Kawazoe ..... F16M 11/105 248/163.1



(56)

**References Cited**

U.S. PATENT DOCUMENTS

9,213,222	B2 *	12/2015	Johnson	.....	G03B 17/563
9,989,836	B1 *	6/2018	Riddel	.....	F16M 11/2085
D829,267	S *	9/2018	Zeng	.....	D16/244
10,370,072	B1 *	8/2019	Grate	.....	G01S 7/4813
D908,165	S *	1/2021	Holland	.....	D16/244
2009/0072100	A1 *	3/2009	Zierer	.....	F16M 11/34
					248/169
2010/0064739	A1 *	3/2010	Lu	.....	F16M 11/34
					70/57

OTHER PUBLICATIONS

An introduction to video tripods, [online] Published May 31, 2019. Retrieved from URL: <https://www.dpreview.com/articles/1809219624/an-introduction-to-video-tripods>.\*

Neewer Professional Heavy Duty Video Camera Tripod, [online] First available Feb. 12, 2018. Retrieved from URL: <https://www.amazon.com/Neewer-Professional-centimeters-Aluminum-kilograms/dp/B079RY1MV5>.\*

Viltrox VX-18M Heavy-Duty Video Tripod with VT-01 Fluid Head, [online] Retrieved Feb. 11, 2021 from URL: [https://www.bhphotovideo.com/c/product/1467019-REG/viltrox\\_vx\\_18m\\_camcorder\\_aluminum\\_alloy.html](https://www.bhphotovideo.com/c/product/1467019-REG/viltrox_vx_18m_camcorder_aluminum_alloy.html).\*

Magnus Rex VT-4000PRO 2-Stage Video Tripod with Fluid Head, [online] Retrieved Feb. 11, 2021 from URL: [https://www.bhphotovideo.com/c/product/1443768-REG/magnus\\_vt\\_4000\\_pro\\_2\\_stage\\_videotripod\\_with.html](https://www.bhphotovideo.com/c/product/1443768-REG/magnus_vt_4000_pro_2_stage_videotripod_with.html).\*

\* cited by examiner

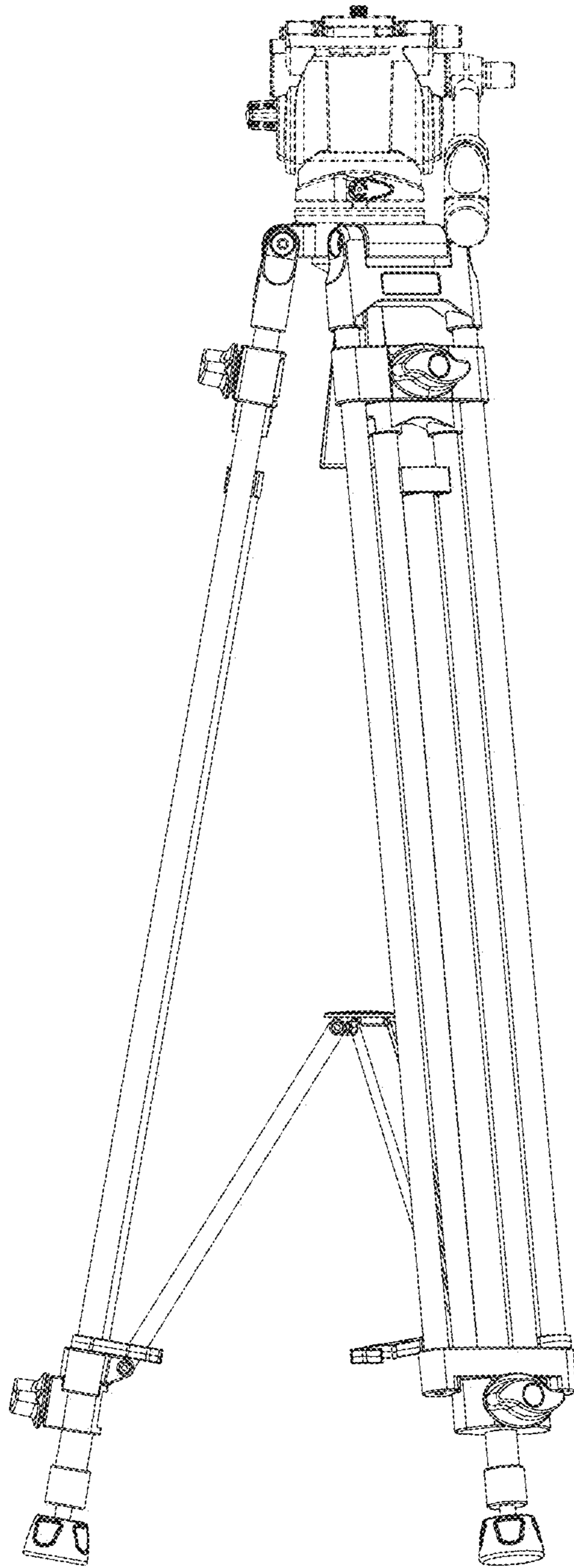


FIG. 1

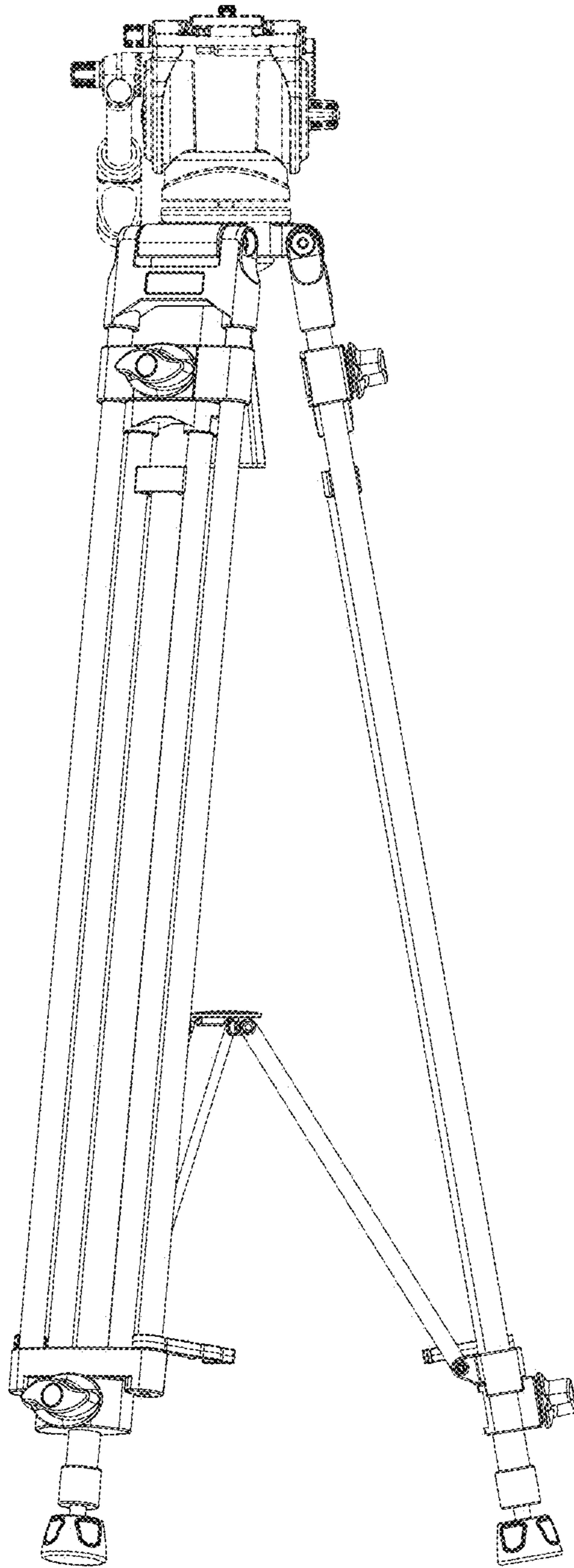


FIG. 2

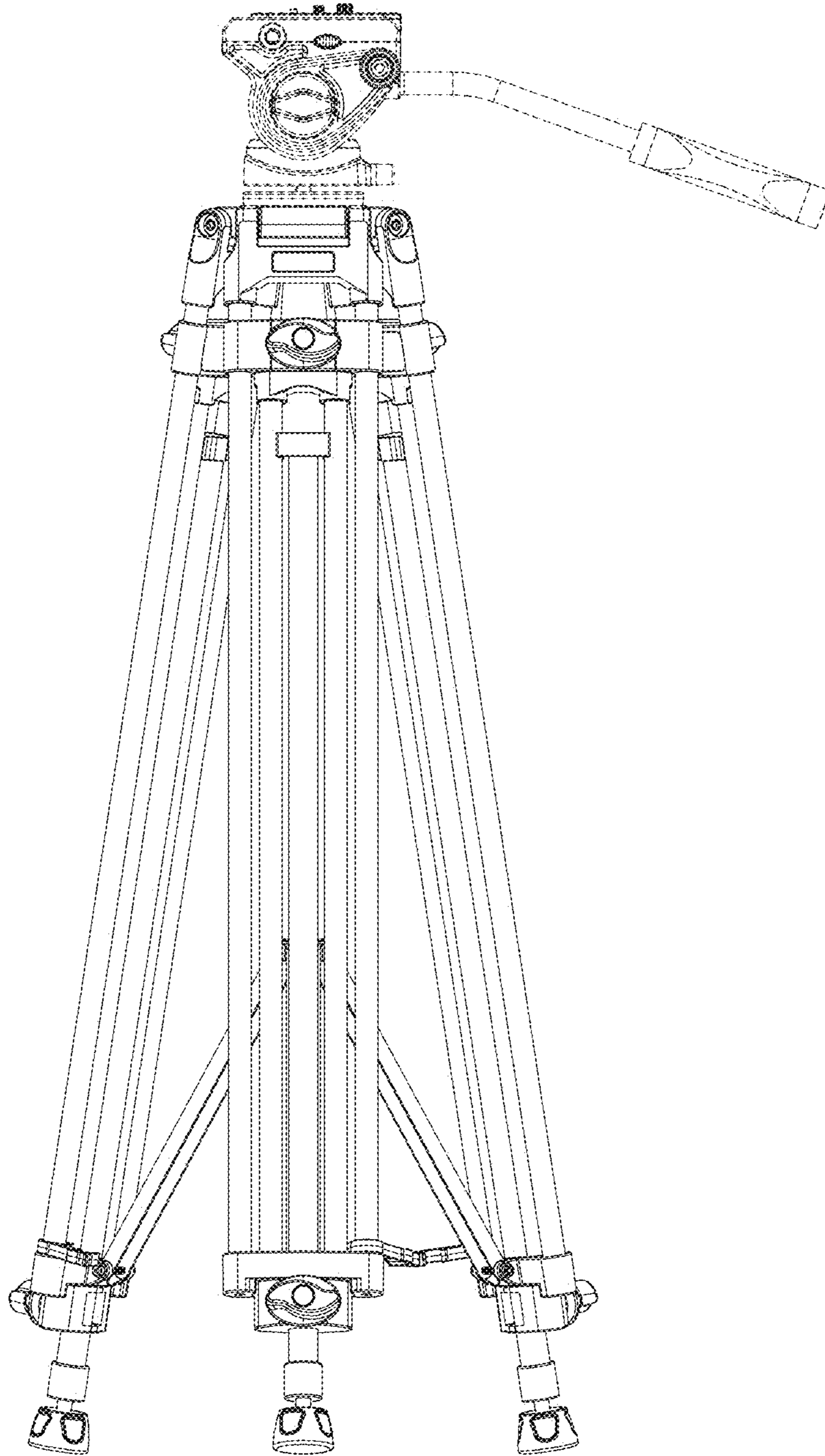


FIG. 3

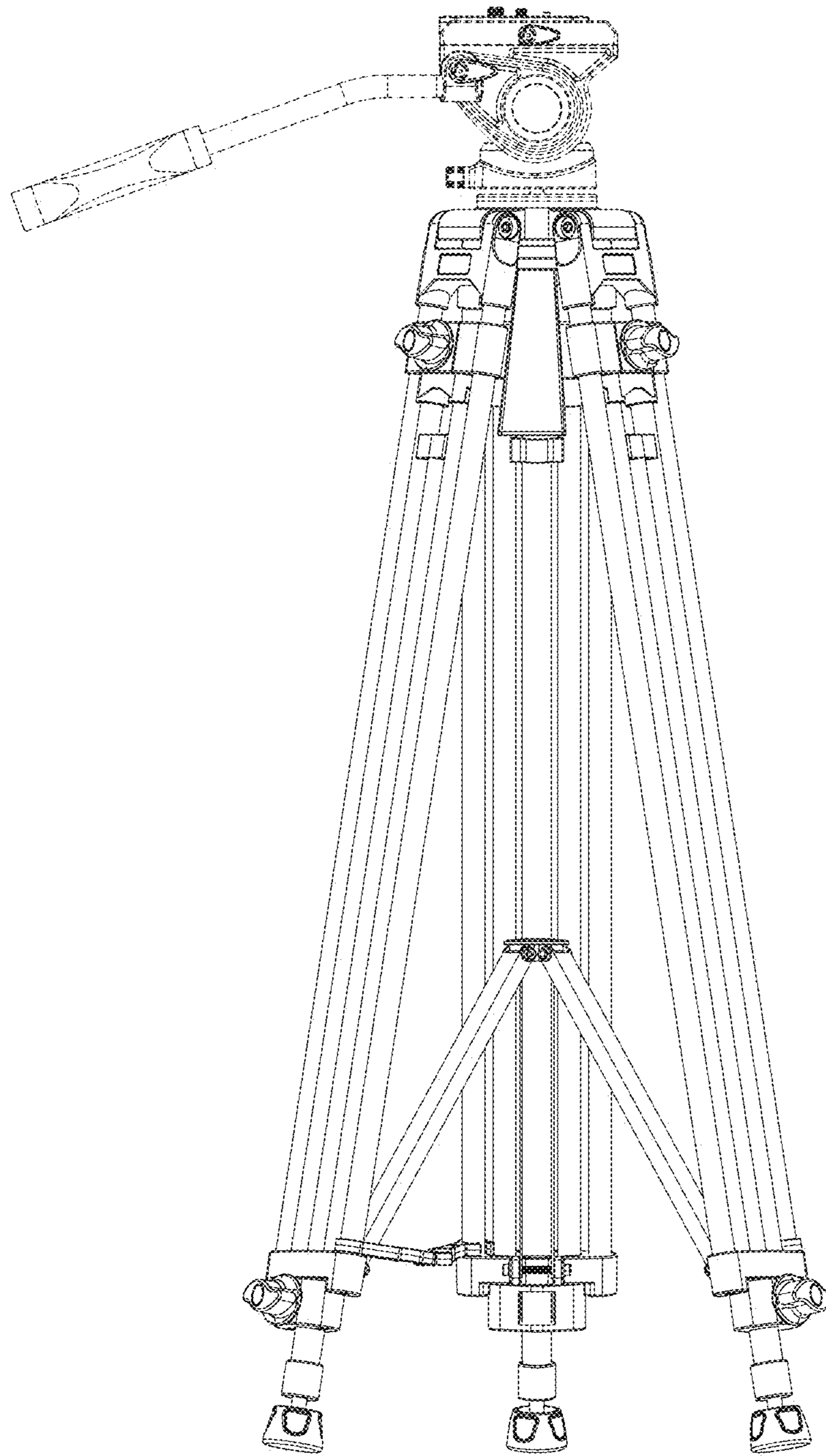


FIG. 4

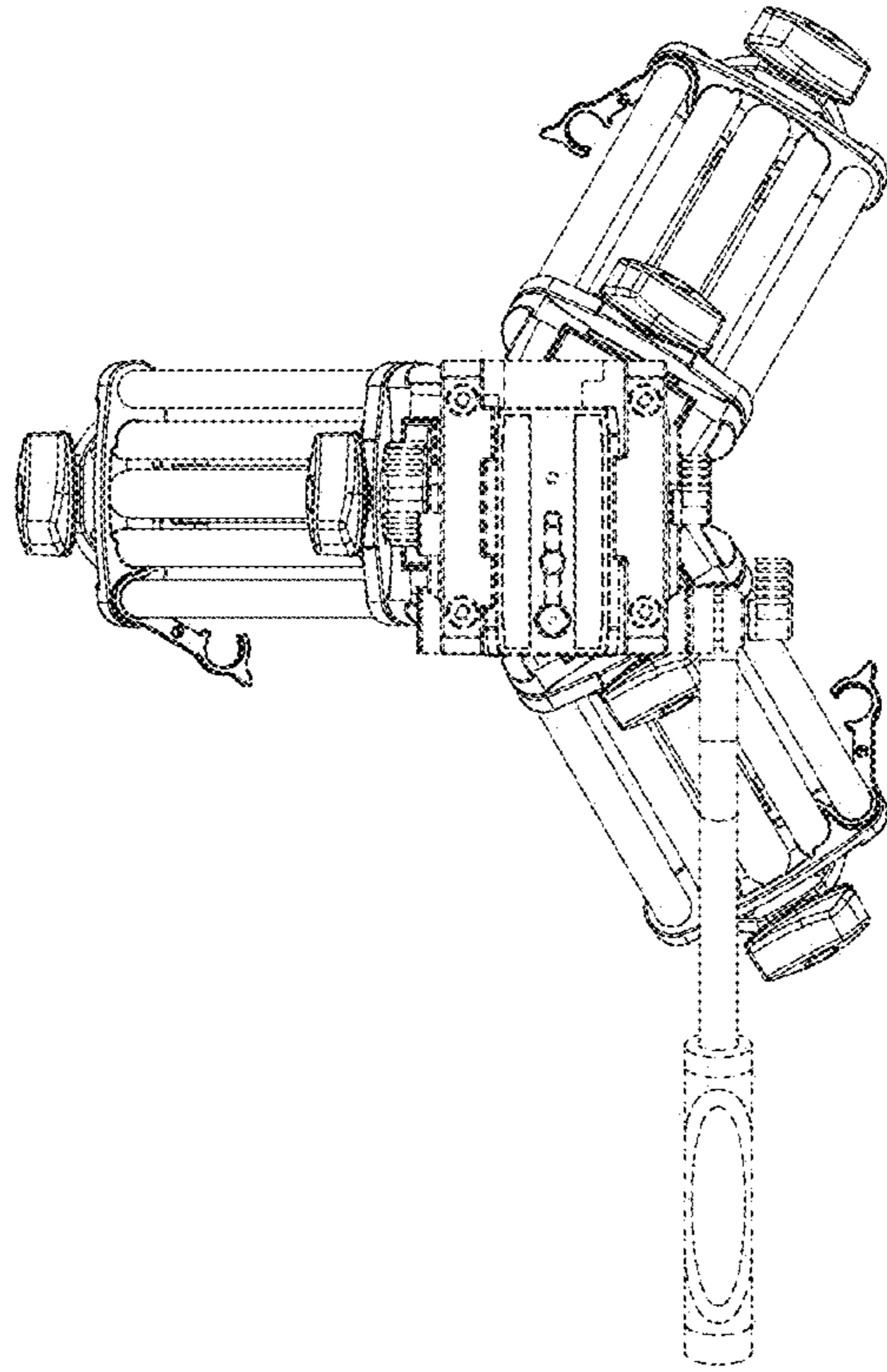


FIG. 5

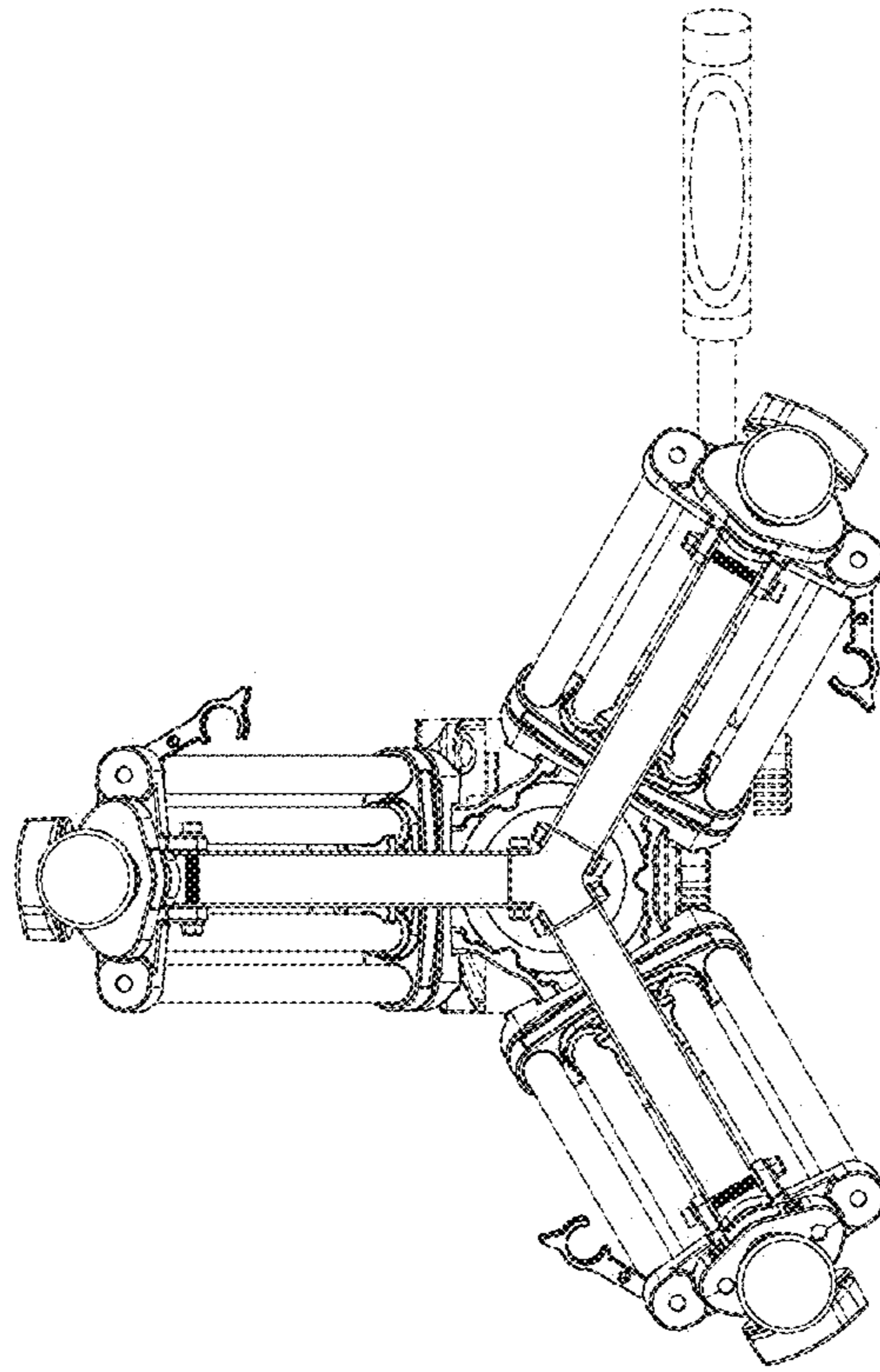


FIG.6



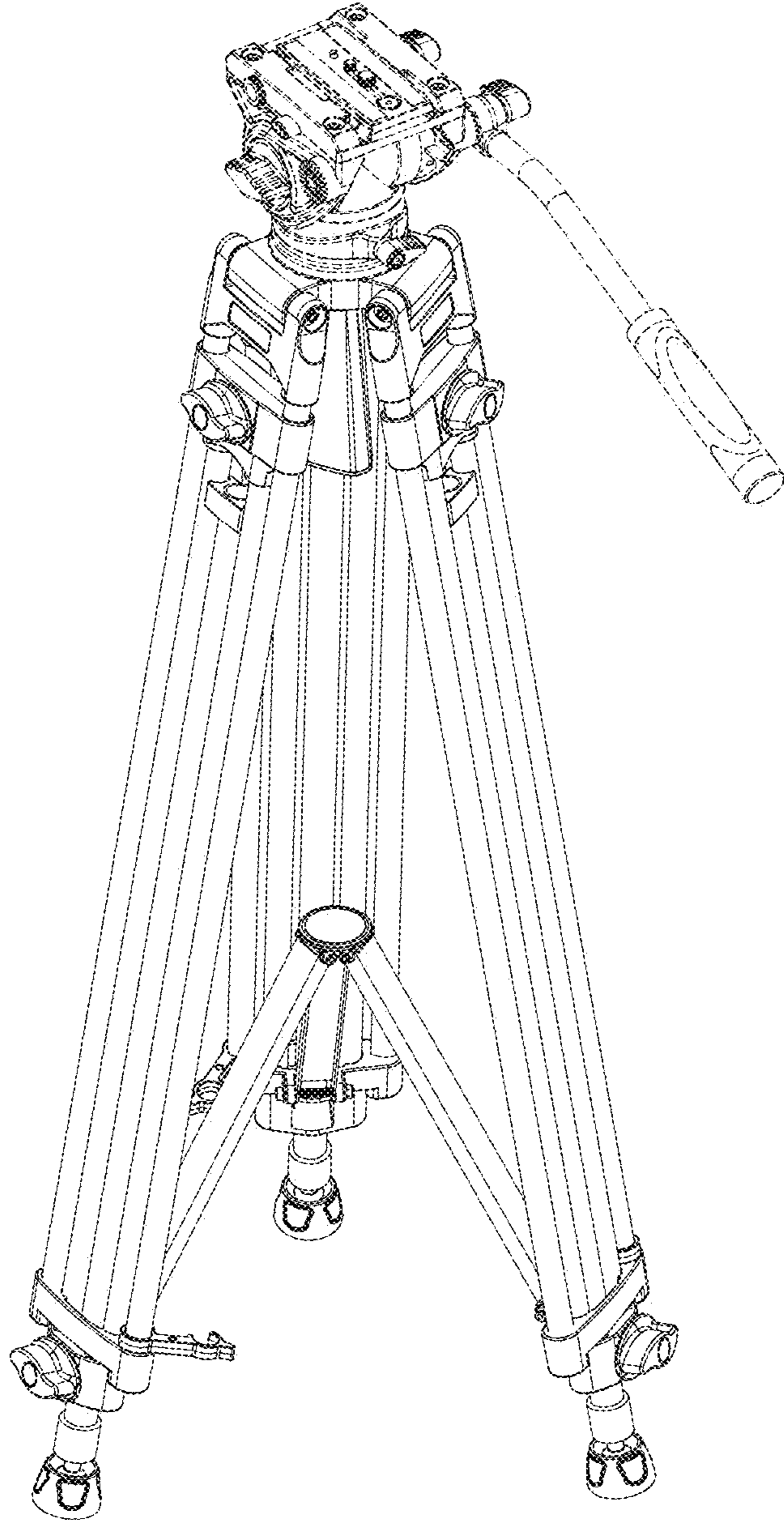


FIG. 7

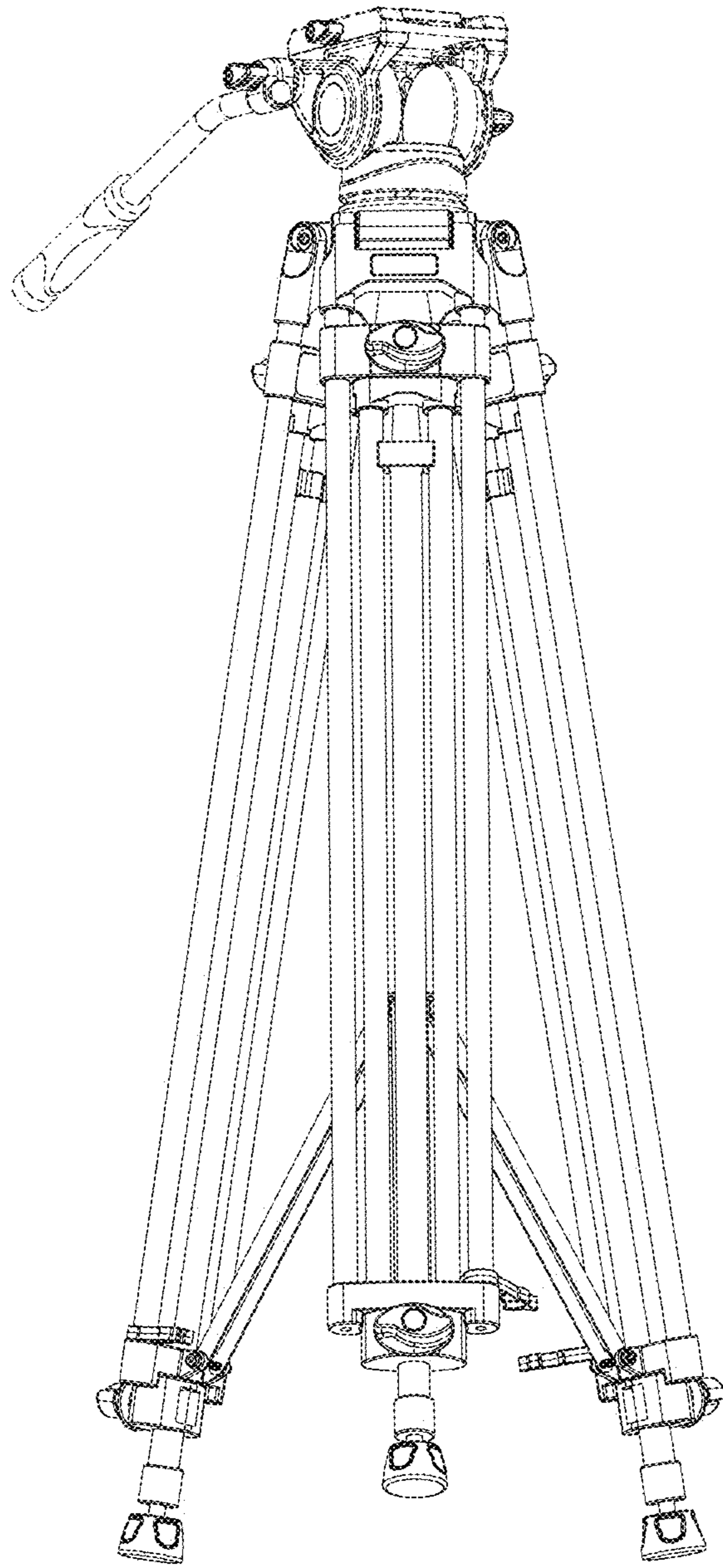


FIG. 8