



US00D916173S

(12) **United States Design Patent**  
**Zeng**

(10) **Patent No.:** **US D916,173 S**  
(45) **Date of Patent:** **\*\* Apr. 13, 2021**

(54) **TRIPOD**

(71) Applicant: **Zhongshan Cambofoto Photographic Equipment Co., Ltd., Zhongshan (CN)**

(72) Inventor: **Xianhui Zeng, Ganzhou (CN)**

(\*\*) Term: **15 Years**

(21) Appl. No.: **29/717,518**

(22) Filed: **Dec. 18, 2019**

(51) **LOC (13) Cl.** ..... **16-05**

(52) **U.S. Cl.**  
USPC ..... **D16/244**

(58) **Field of Classification Search**  
USPC ..... D16/219, 237-250; D8/354, 355, 363, D8/373, 382-383, 394-396; D14/224, D14/229, 238, 251, 253, 447, 451, 457  
CPC ..... F16M 11/06-10; F16M 11/14; G02B 7/00-002; G03B 17/561-566; H04N 5/2253-2254

See application file for complete search history.

(56) **References Cited**

**U.S. PATENT DOCUMENTS**

D250,771 S *	1/1979	Charewicz	.....	D16/244
D299,244 S *	1/1989	Jones	.....	D16/244
D326,105 S *	5/1992	Doi	.....	D16/244
D570,618 S *	6/2008	Tai	.....	D14/229
D632,720 S *	2/2011	Barker	.....	D16/244
D643,230 S *	8/2011	Hepeng	.....	D6/708.25
9,417,508 B2 *	8/2016	Yang	.....	F16M 11/2078
D807,421 S *	1/2018	Yin	.....	D16/244
10,323,785 B1 *	6/2019	Takahashi	.....	A47B 23/04
D888,814 S *	6/2020	Chen	.....	D16/244
D895,716 S *	9/2020	Chen	.....	D16/244
D901,578 S *	11/2020	Wang	.....	D16/244
D901,579 S *	11/2020	Wang	.....	D16/244
D902,986 S *	11/2020	Zeng	.....	D16/244
10,845,679 B2 *	11/2020	Zhu	.....	F16M 11/08

D907,105 S *	1/2021	Ye	.....	D16/244
D907,106 S *	1/2021	Li	.....	D16/244
2018/0106418 A1 *	4/2018	Anglin	.....	F16M 13/00

**OTHER PUBLICATIONS**

Ruittos Ring Light Stand. [online] First available Apr. 19, 2020. Retrieved from URL: <https://www.amazon.com/Ruittos-Photography-Reflectors-Softboxes-Backgrounds/dp/B087BG497Q>.  
New tripod. [online] Retrieved Feb. 11, 2021 from URL: [https://cambofoto.en.alibaba.com/productgroup/814121069/new\\_tripod.html?spm=a2700.shop\\_pl.88.21](https://cambofoto.en.alibaba.com/productgroup/814121069/new_tripod.html?spm=a2700.shop_pl.88.21).

\* cited by examiner

*Primary Examiner* — Vy N Koenig  
(74) *Attorney, Agent, or Firm* — ZANIP

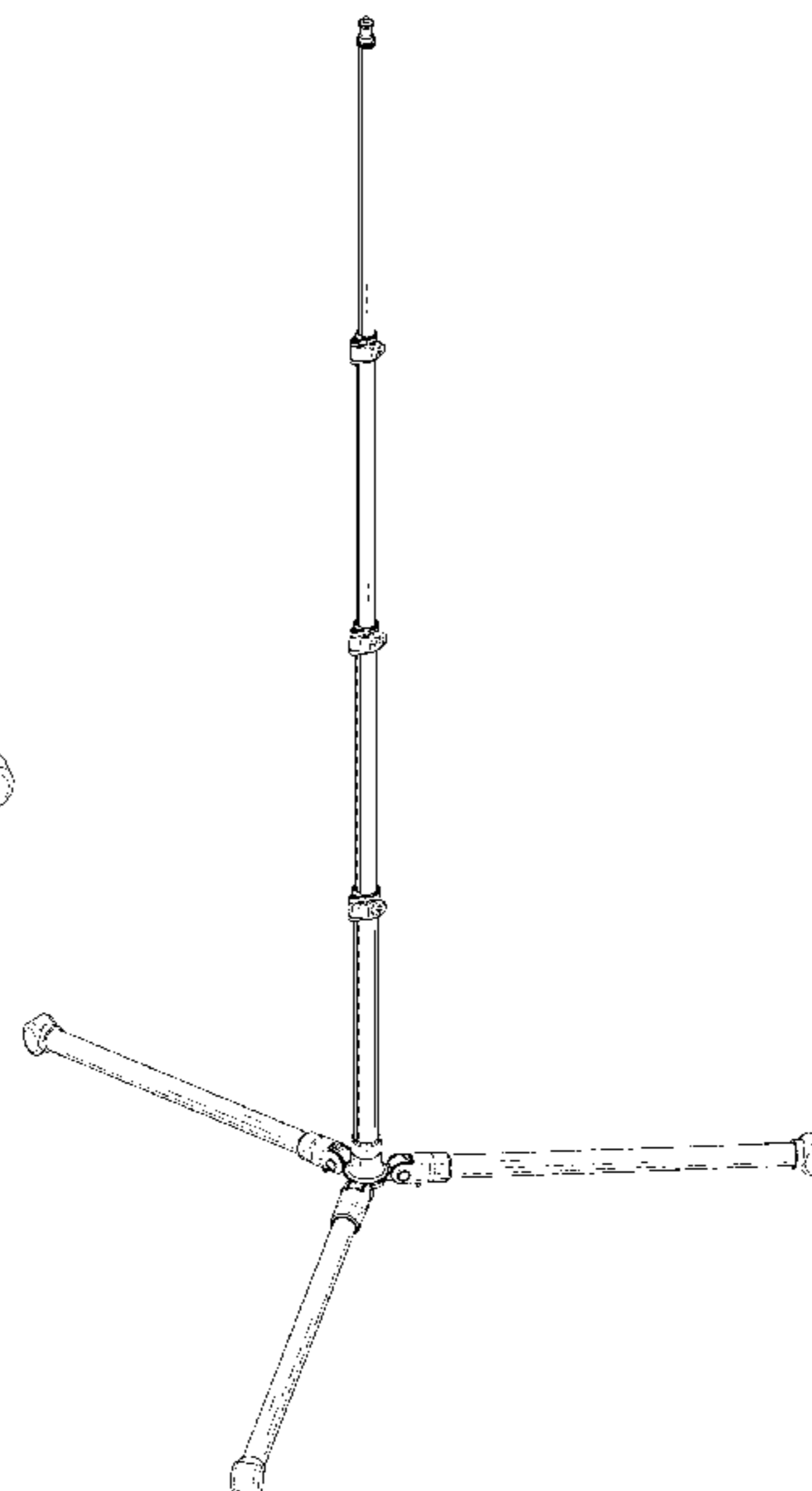
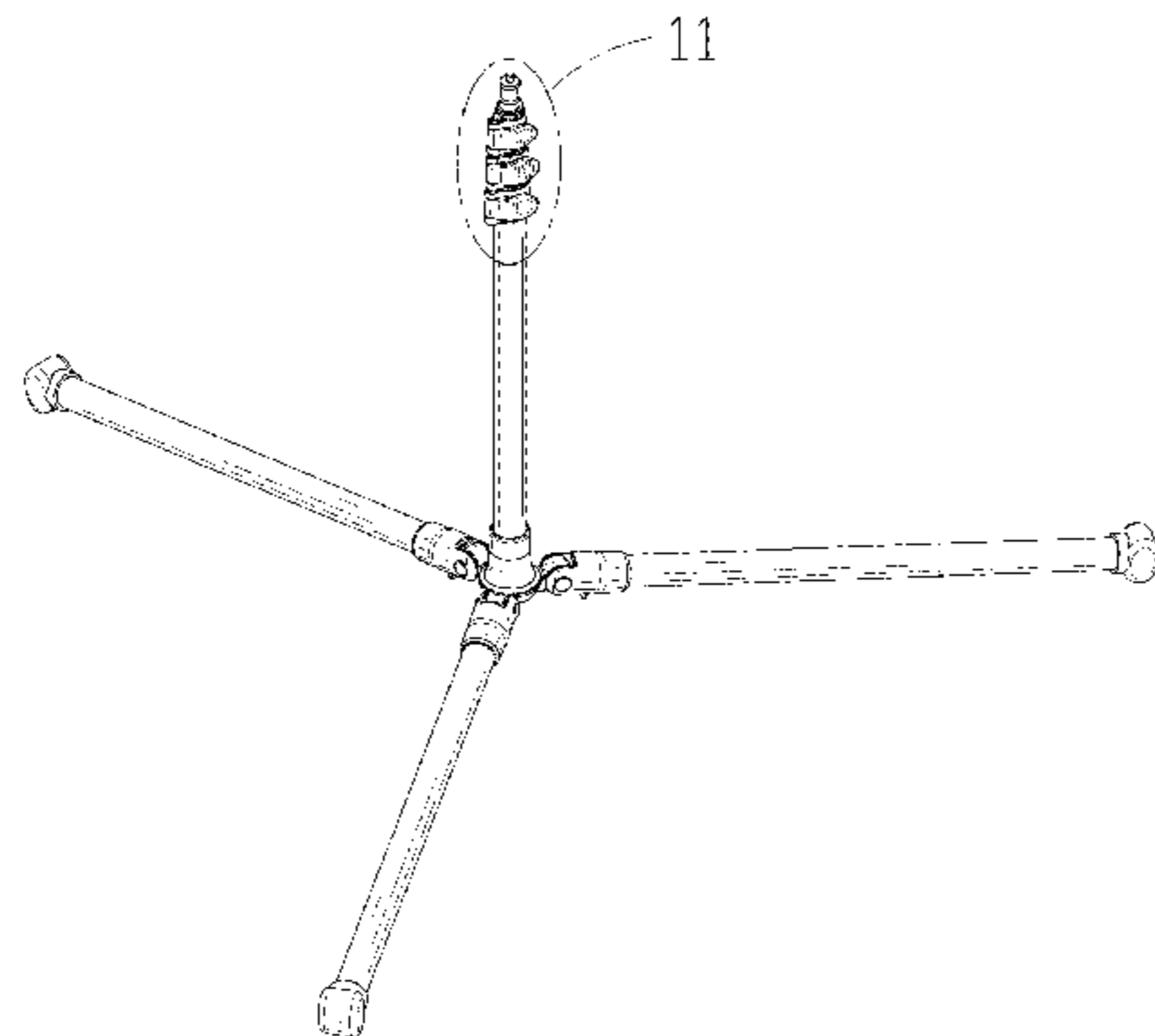
(57) **CLAIM**

The ornamental design for a tripod, as shown and described.

**DESCRIPTION**

FIG. 1 is a front and top perspective view of a tripod, showing my new design;  
FIG. 2 is a rear and bottom perspective view thereof;  
FIG. 3 is a front elevational view thereof;  
FIG. 4 is a rear elevational view thereof;  
FIG. 5 is a left side elevational view thereof;  
FIG. 6 is a right side elevational view thereof;  
FIG. 7 is a top plan view thereof;  
FIG. 8 is a bottom plan view thereof;  
FIG. 9 is a perspective view of the tripod when its legs are folded;  
FIG. 10 is a perspective view of the tripod when a support rod is elongated;  
FIG. 11 is an enlarged view of a portion indicated in FIG. 1; and,  
FIG. 12 is an enlarged view of a portion indicated in FIG. 2.  
The broken lines in the figures illustrate portions of the tripod that form no part of the claimed design.

**1 Claim, 12 Drawing Sheets**



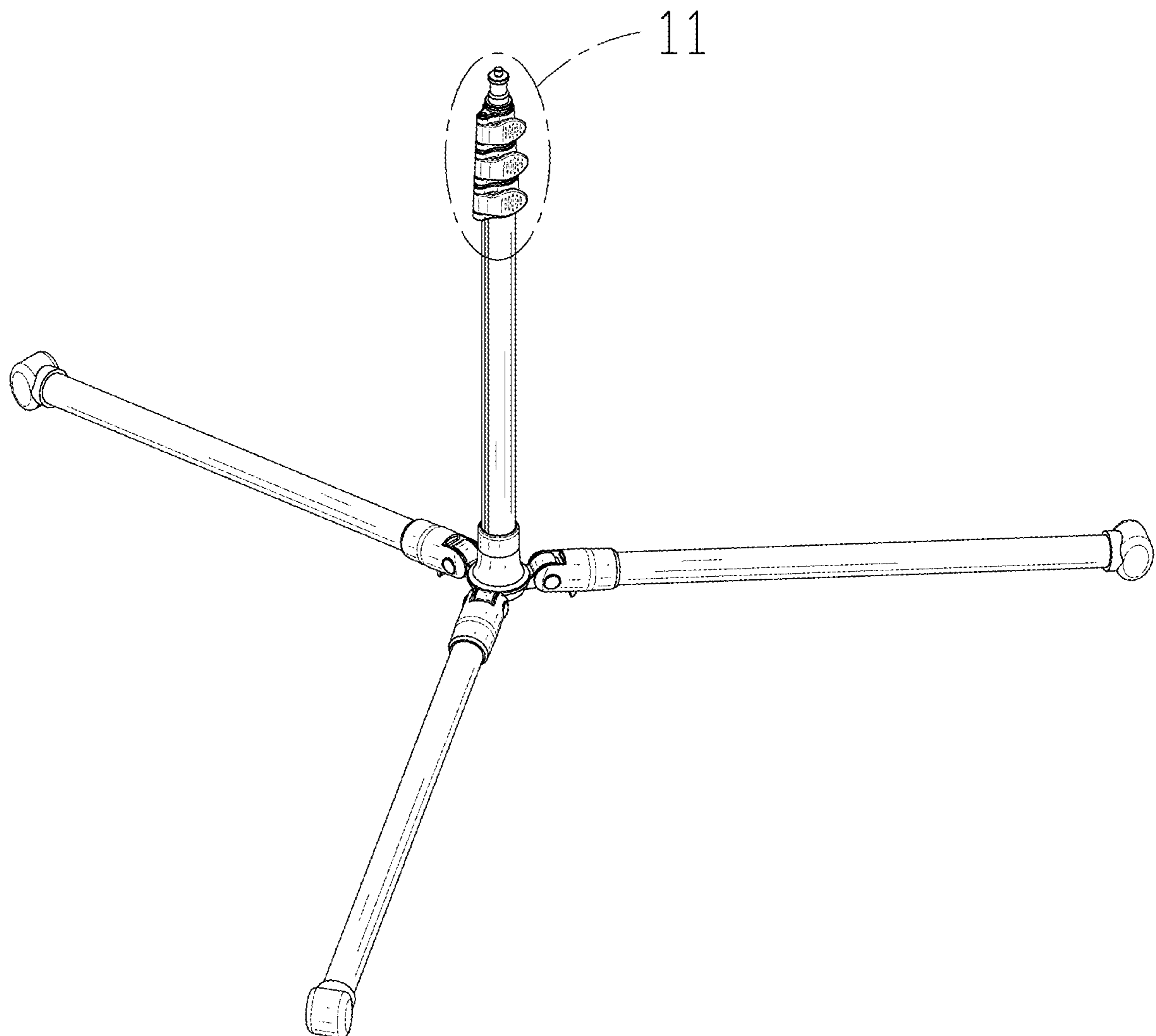


FIG. 1

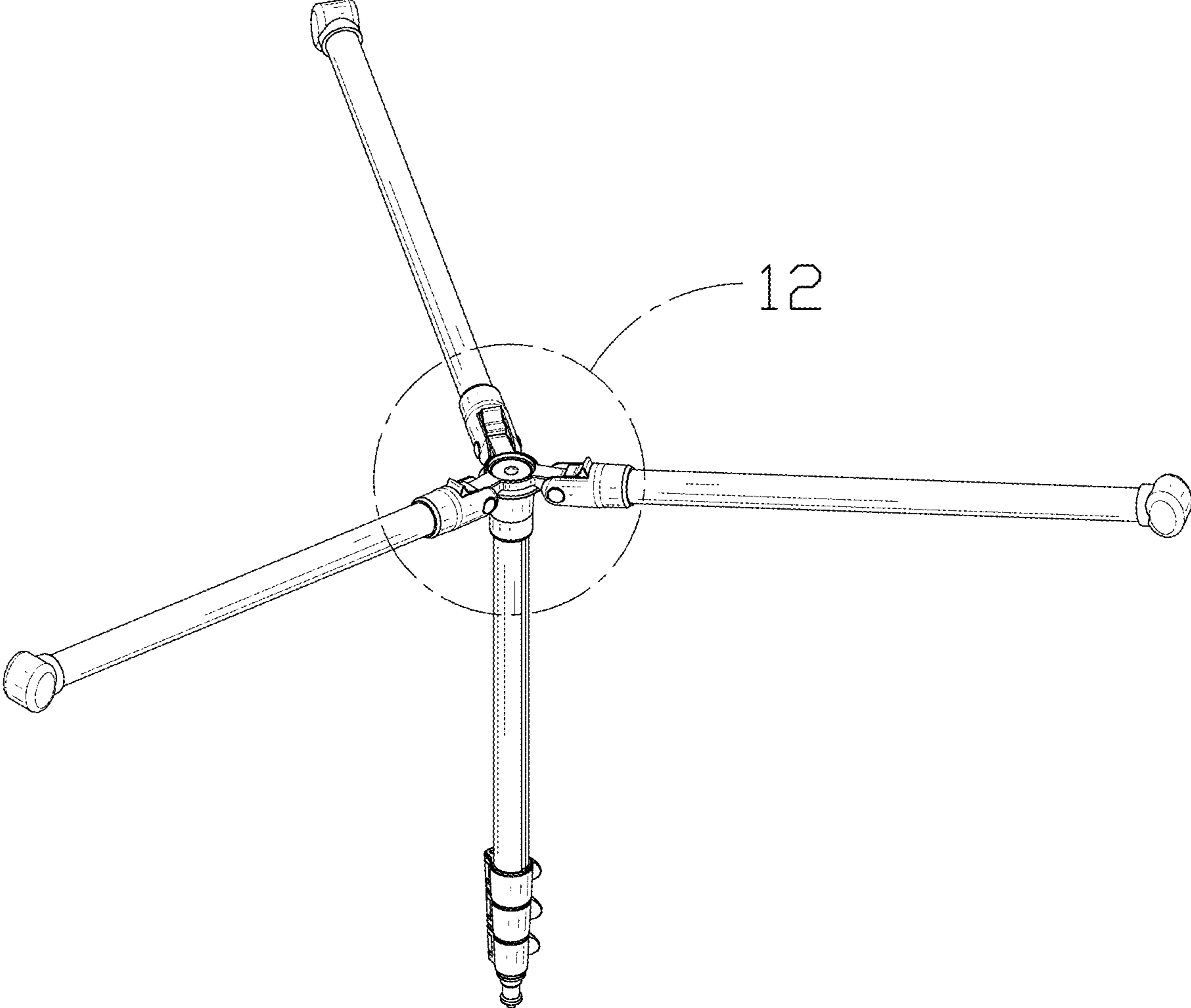


FIG. 2

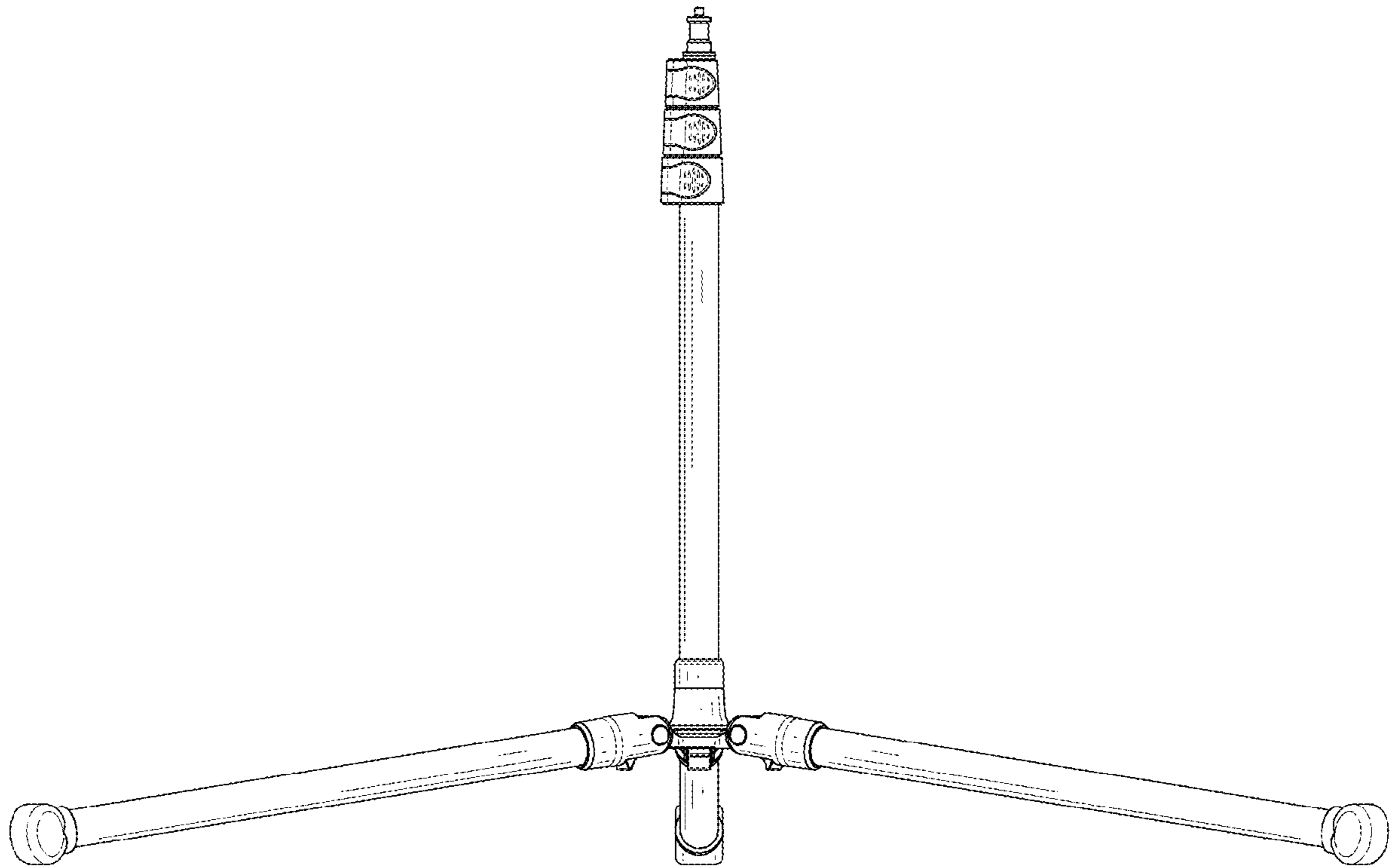


FIG. 3

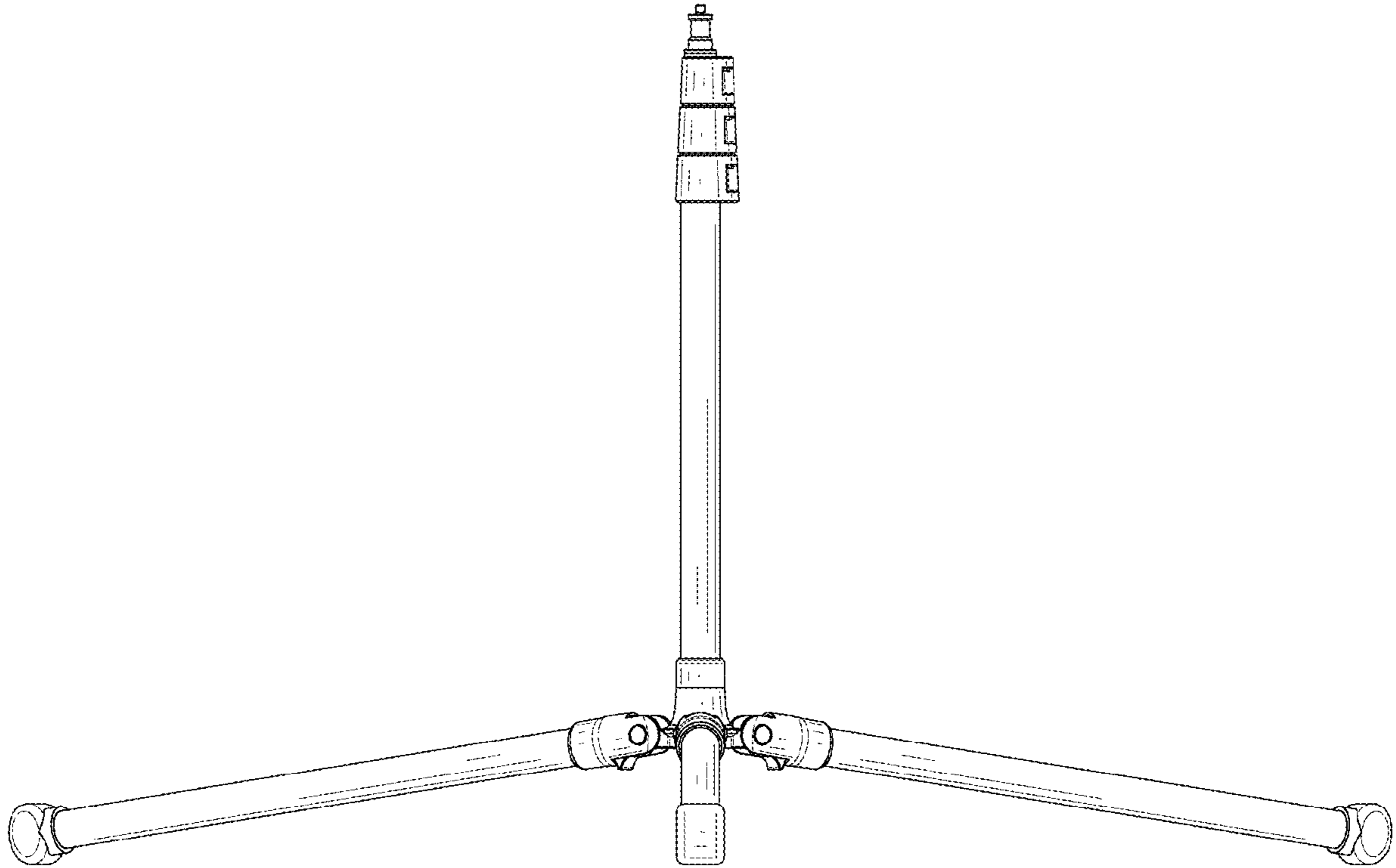


FIG. 4

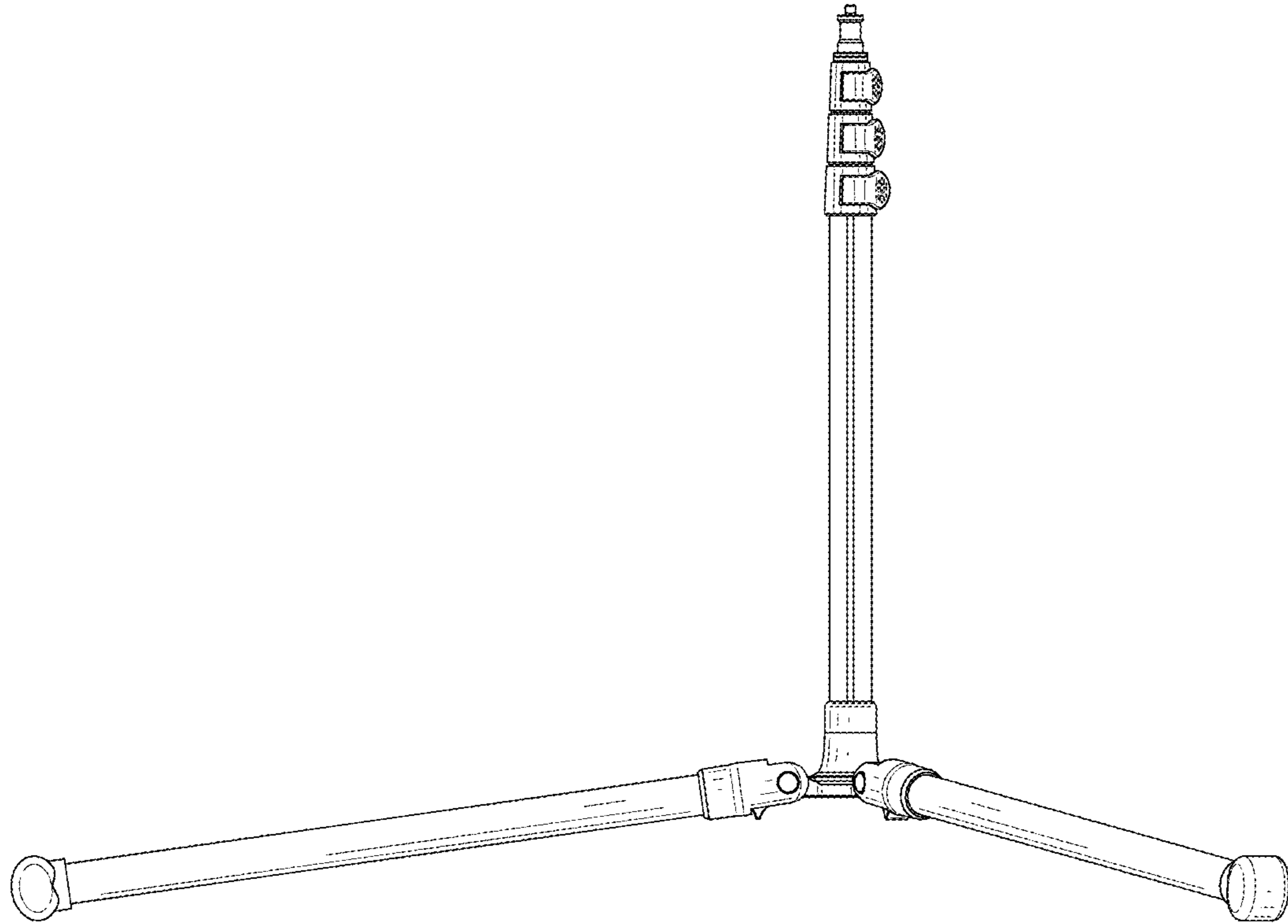


FIG. 5

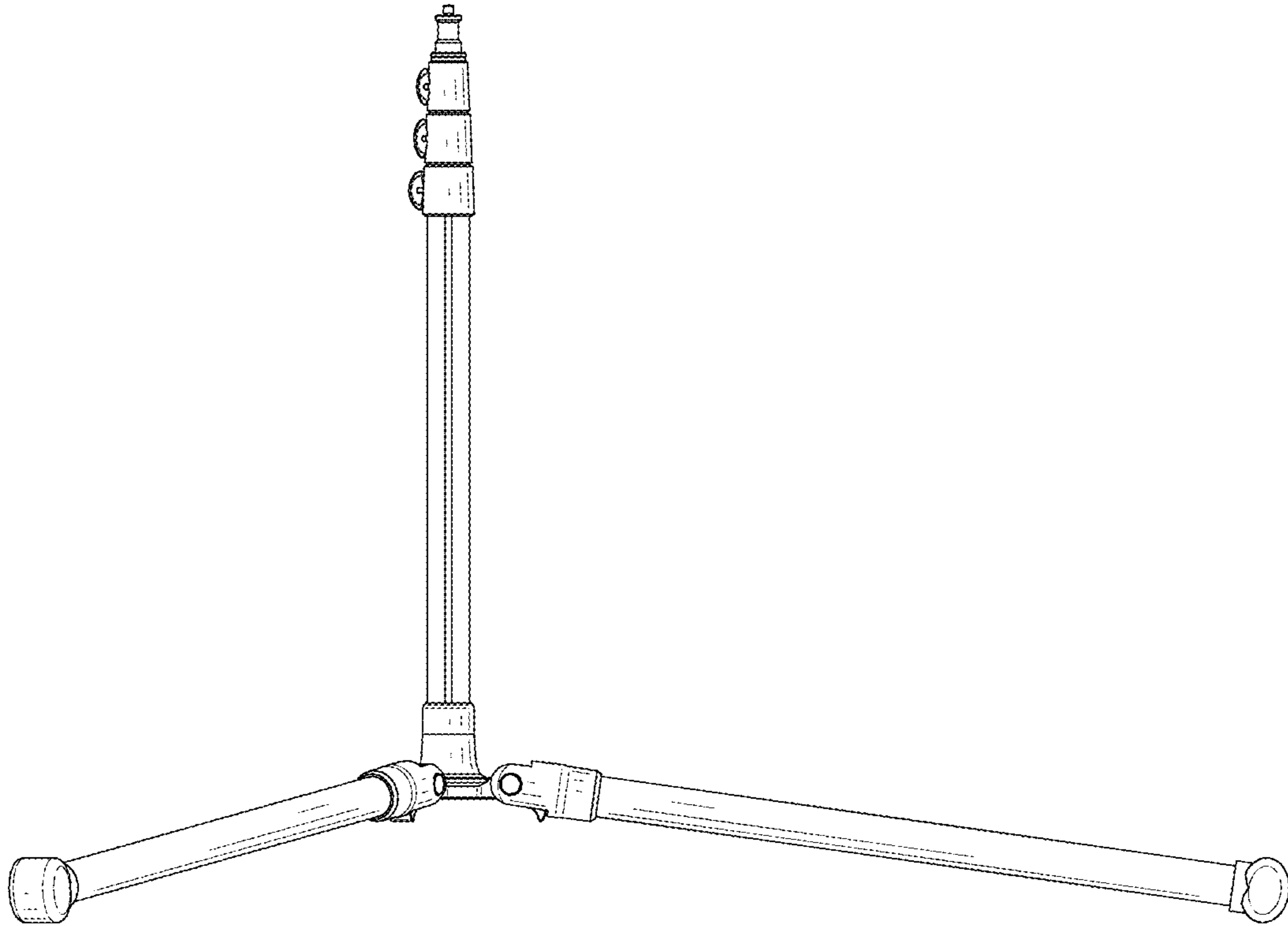


FIG. 6

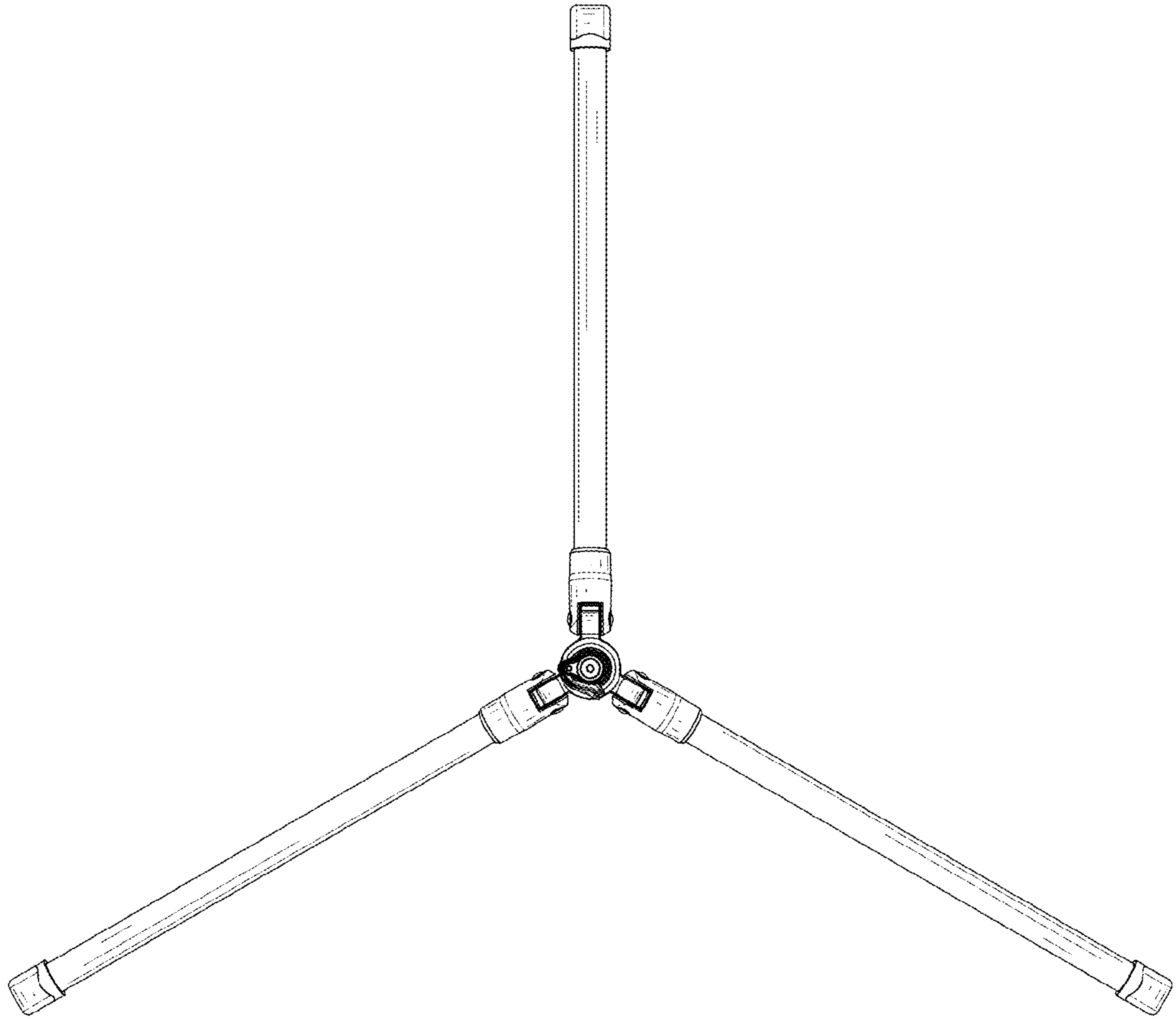


FIG. 7



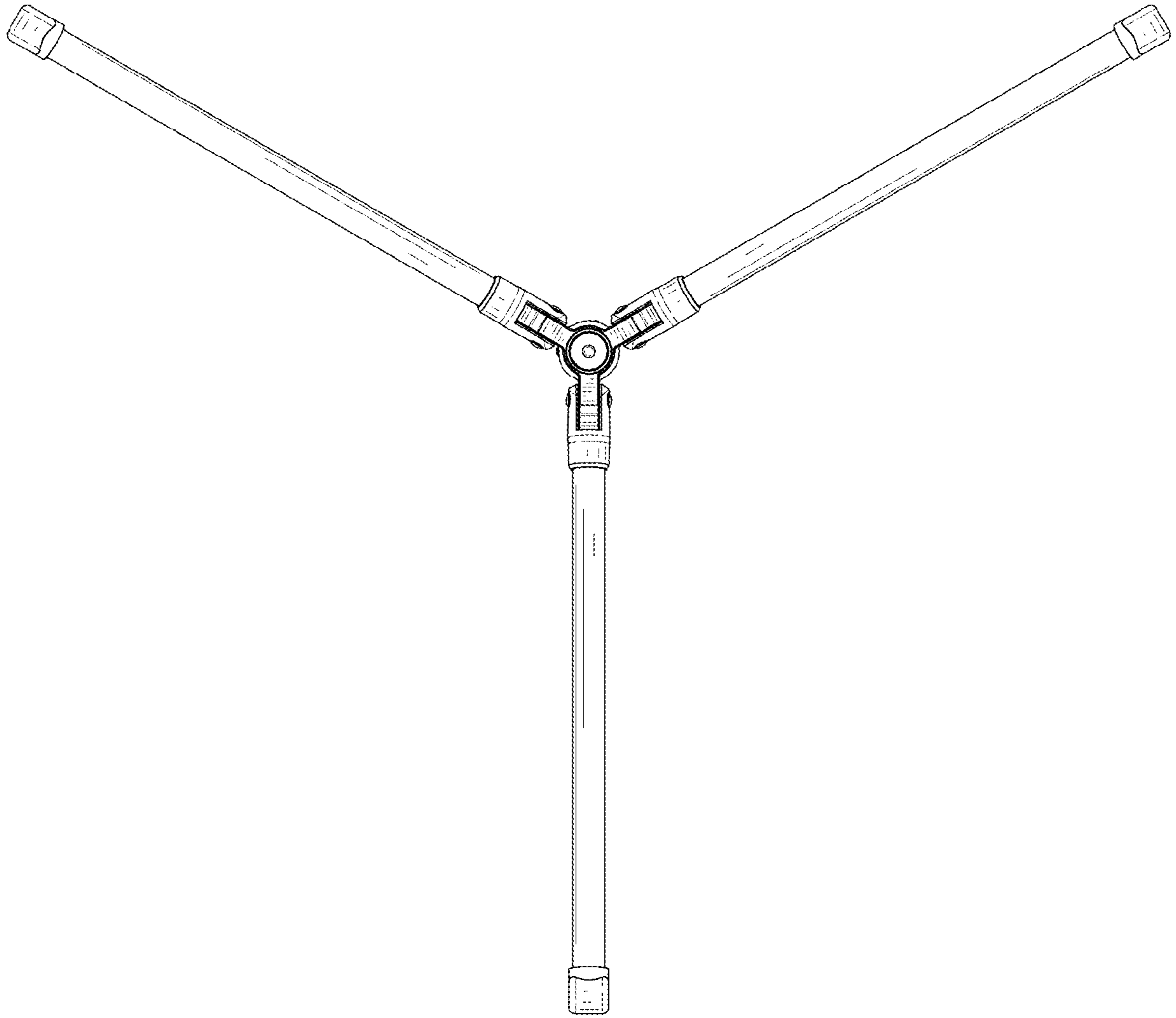


FIG. 8

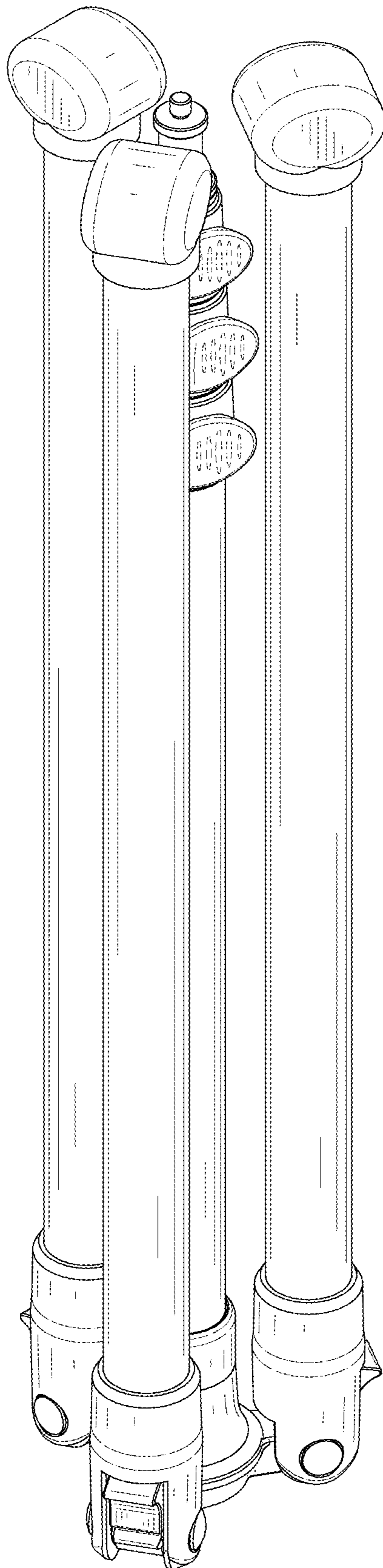


FIG. 9

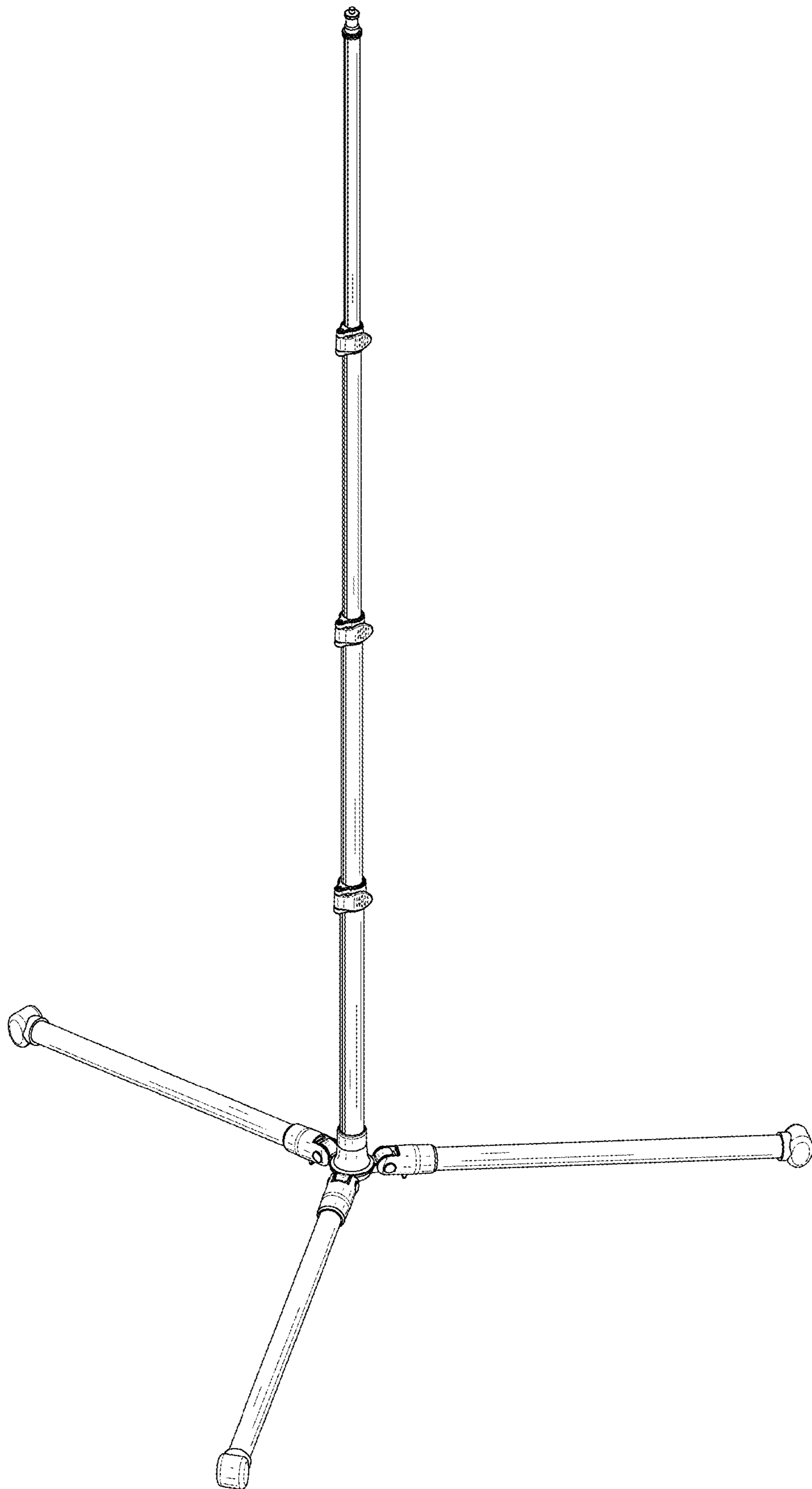


FIG. 10

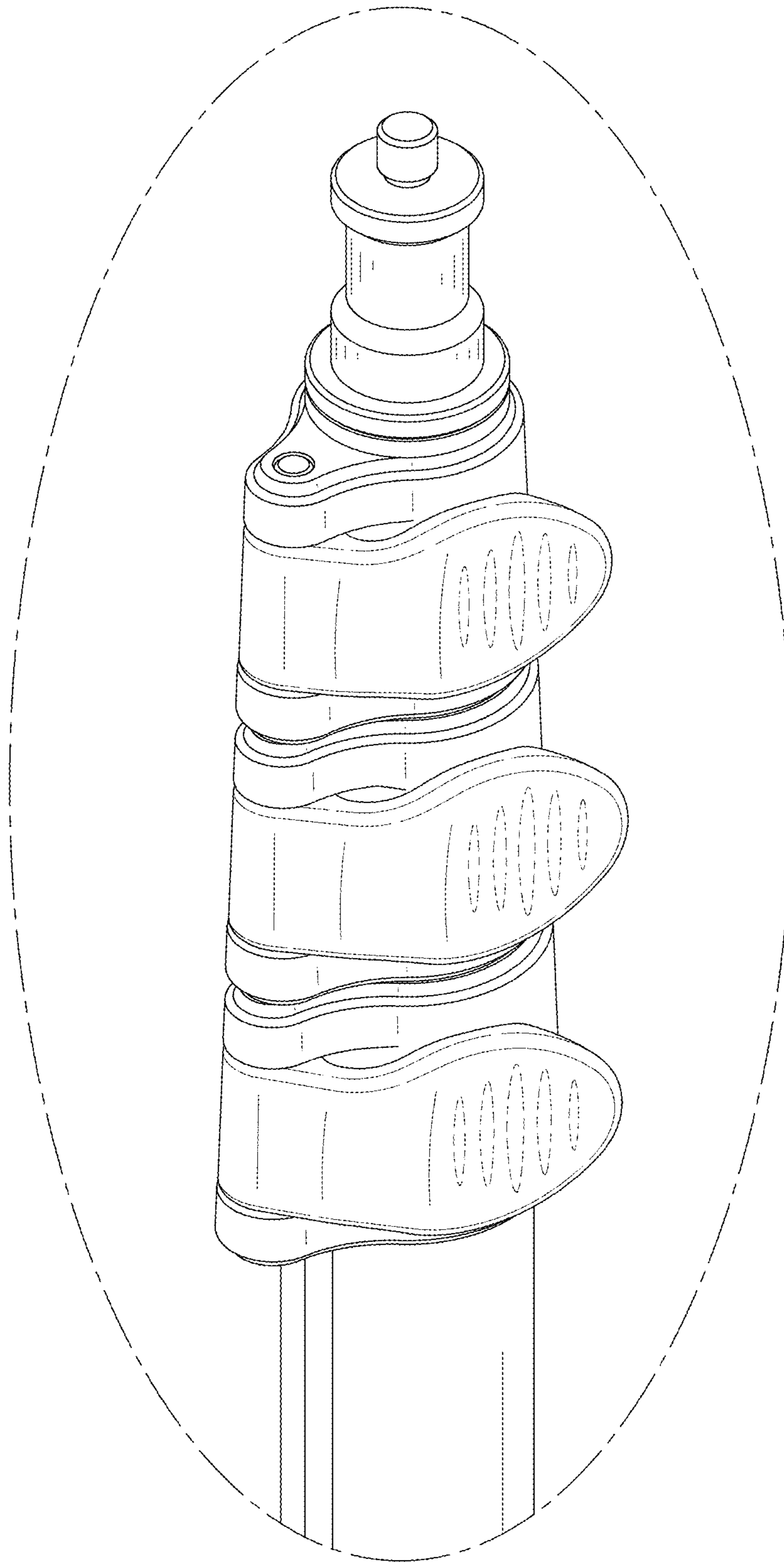


FIG. 11

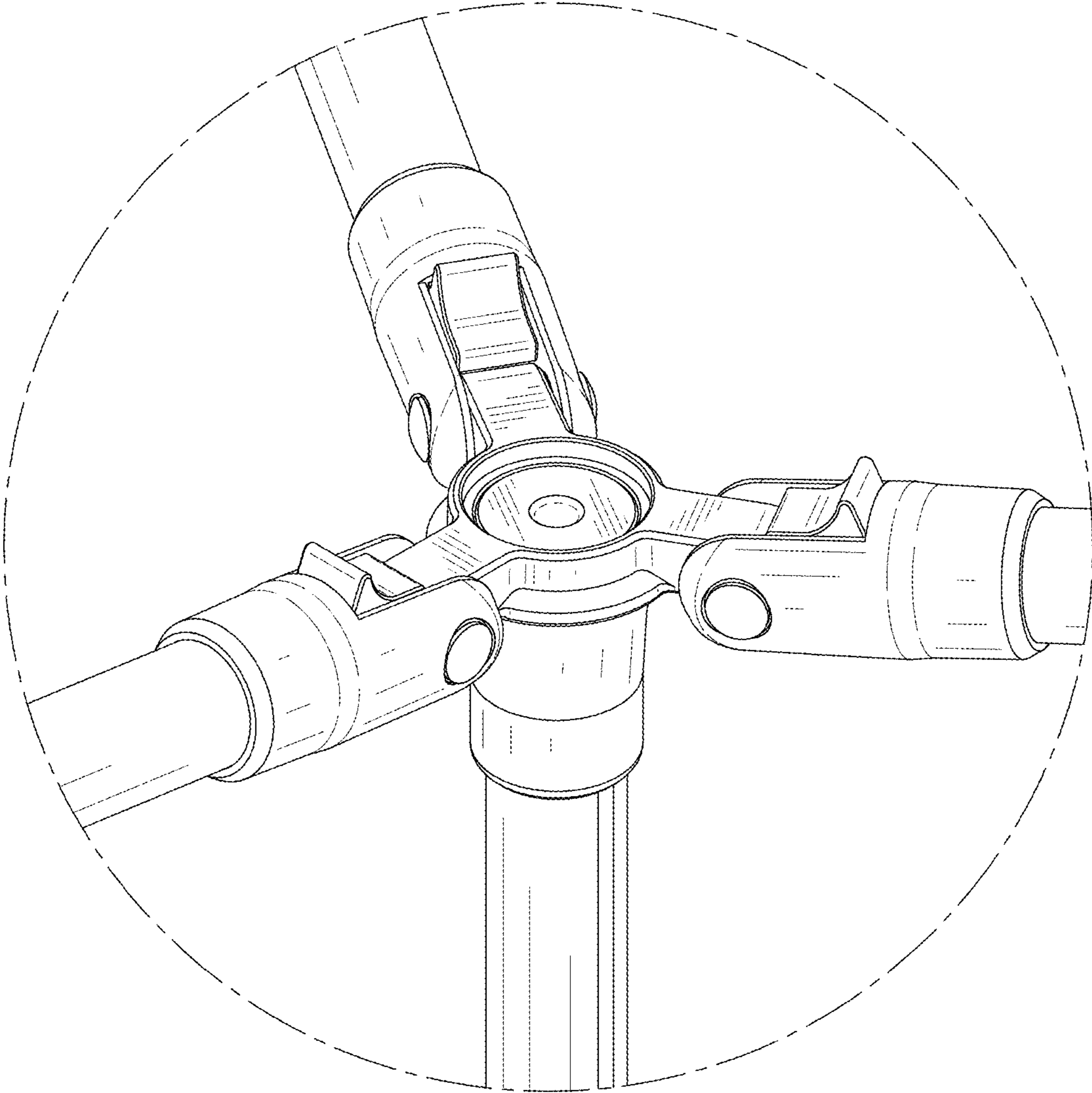


FIG. 12