



US00D916172S

(12) **United States Design Patent**
Zeng

(10) **Patent No.:** **US D916,172 S**

(45) **Date of Patent:** **** Apr. 13, 2021**

(54) **TRIPOD**

(71) Applicant: **Zhongshan Cambofoto Photographic Equipment Co., Ltd., Zhongshan (CN)**

(72) Inventor: **Xianhui Zeng, Ganzhou (CN)**

(**) Term: **15 Years**

(21) Appl. No.: **29/717,515**

(22) Filed: **Dec. 18, 2019**

(51) **LOC (13) Cl.** **16-05**

(52) **U.S. Cl.**
USPC **D16/244**

(58) **Field of Classification Search**
USPC D16/219, 237-250; D8/354, 355, 363, D8/373, 382-383, 394-396; D14/224, D14/229, 238, 251, 253, 447, 451, 457
CPC F16M 11/06-10; F16M 11/14; G02B 7/00-002; G03B 17/561-566; H04N 5/2253-2254

See application file for complete search history.

(56) **References Cited**

U.S. PATENT DOCUMENTS

3,064,932	A	*	11/1962	Holderman	F16M 11/245
						248/171
D326,105	S	*	5/1992	Doi	D16/244
D339,667	S	*	9/1993	Fitzpatrick	D32/58
D421,447	S	*	3/2000	Eason	D16/244
D450,339	S	*	11/2001	Eason	D16/244
D552,660	S	*	10/2007	Lee	D16/242
D570,618	S	*	6/2008	Tai	D14/229
D632,720	S	*	2/2011	Barker	D16/244
D704,486	S	*	5/2014	Cho	D6/708.25
D720,384	S	*	12/2014	Holmen	D16/244
D723,311	S	*	3/2015	Jiang	D6/681
D805,671	S	*	12/2017	Liping	D26/63
D828,057	S	*	9/2018	Yaguchi	D6/681
10,139,039	B1	*	11/2018	Reed	F16M 11/28
D853,613	S	*	7/2019	Lien	D26/63
D887,052	S	*	6/2020	Xu	D26/39
D895,716	S	*	9/2020	Chen	D16/244

D899,491	S	*	10/2020	Chen	D16/244
D901,578	S	*	11/2020	Wang	D16/244
D901,579	S	*	11/2020	Wang	D16/244
D907,106	S	*	1/2021	Li	D16/244

(Continued)

OTHER PUBLICATIONS

Multifunction Aluminum table tripod stand for phone selfie stick with action camera, [online] Retrieved Feb. 11, 2021 from URL: https://cambofoto.en.alibaba.com/product/62314671047-814121069/multifunction_Aluminum_table_tripod_stand_for_phone_selfie_stick_with_action_camera.html?spm=a2700.shop_pl.41413.9.3f1154cb5KvbzK.*

(Continued)

Primary Examiner — Vy N Koenig
(74) *Attorney, Agent, or Firm* — ZANIP

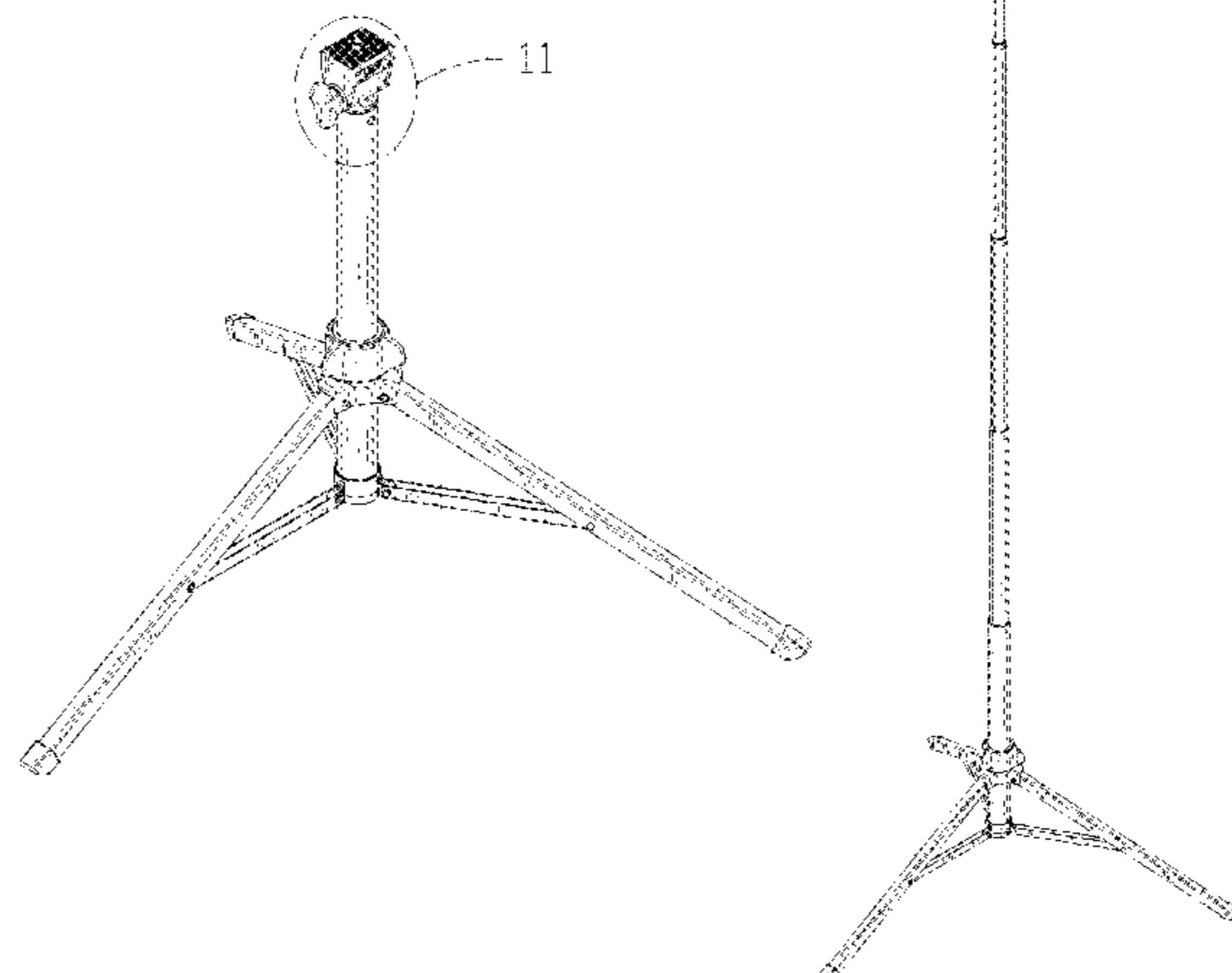
(57) **CLAIM**

The ornamental design for a tripod, as shown and described.

DESCRIPTION

FIG. 1 is a front and top perspective view of a tripod, showing my new design;
FIG. 2 is a rear and bottom perspective view thereof;
FIG. 3 is a front elevational view thereof;
FIG. 4 is a rear elevational view thereof;
FIG. 5 is a left side elevational view thereof;
FIG. 6 is a right side elevational view thereof;
FIG. 7 is a top plan view thereof;
FIG. 8 is a bottom plan view thereof;
FIG. 9 is a perspective view of the tripod when its legs are folded;
FIG. 10 is a perspective view of the tripod when the support rod portion is elongated;
FIG. 11 is an enlarged view of the portion indicated in FIG. 1; and,
FIG. 12 is an enlarged view of the portion indicated in FIG. 2.

1 Claim, 12 Drawing Sheets



(56)

References Cited

U.S. PATENT DOCUMENTS

2004/0011930 A1* 1/2004 Tuohy, III F16M 11/245
248/146
2006/0086869 A1* 4/2006 Hsieh F16M 11/046
248/171

OTHER PUBLICATIONS

New tripod. [online] Retrieved Feb. 11, 2021 from URL: https://cambofoto.en.alibaba.com/productgroupelist-814121069/new_tripod.html?spm=a2700.shop_pl.88.21.*

* cited by examiner

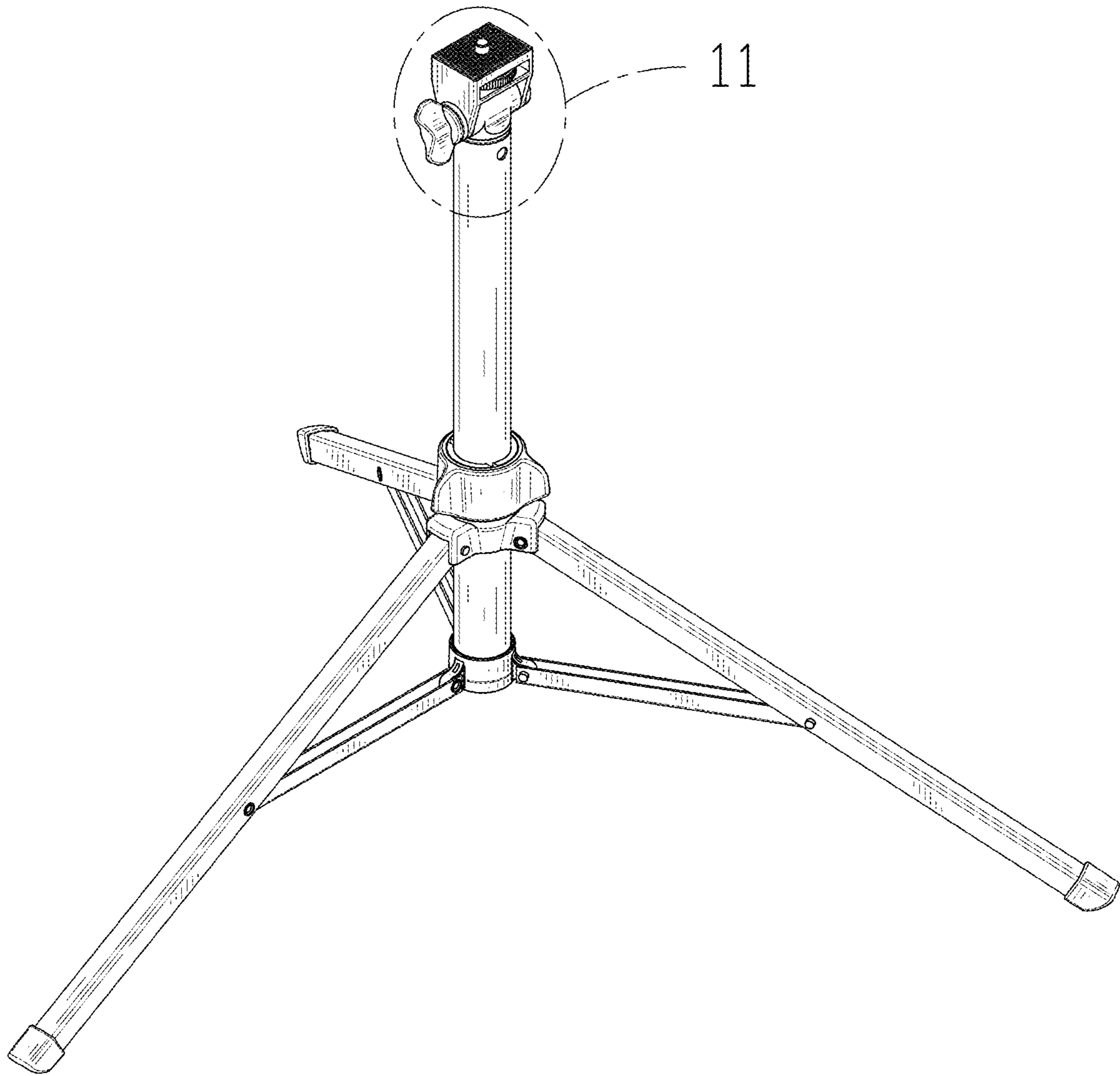


FIG. 1

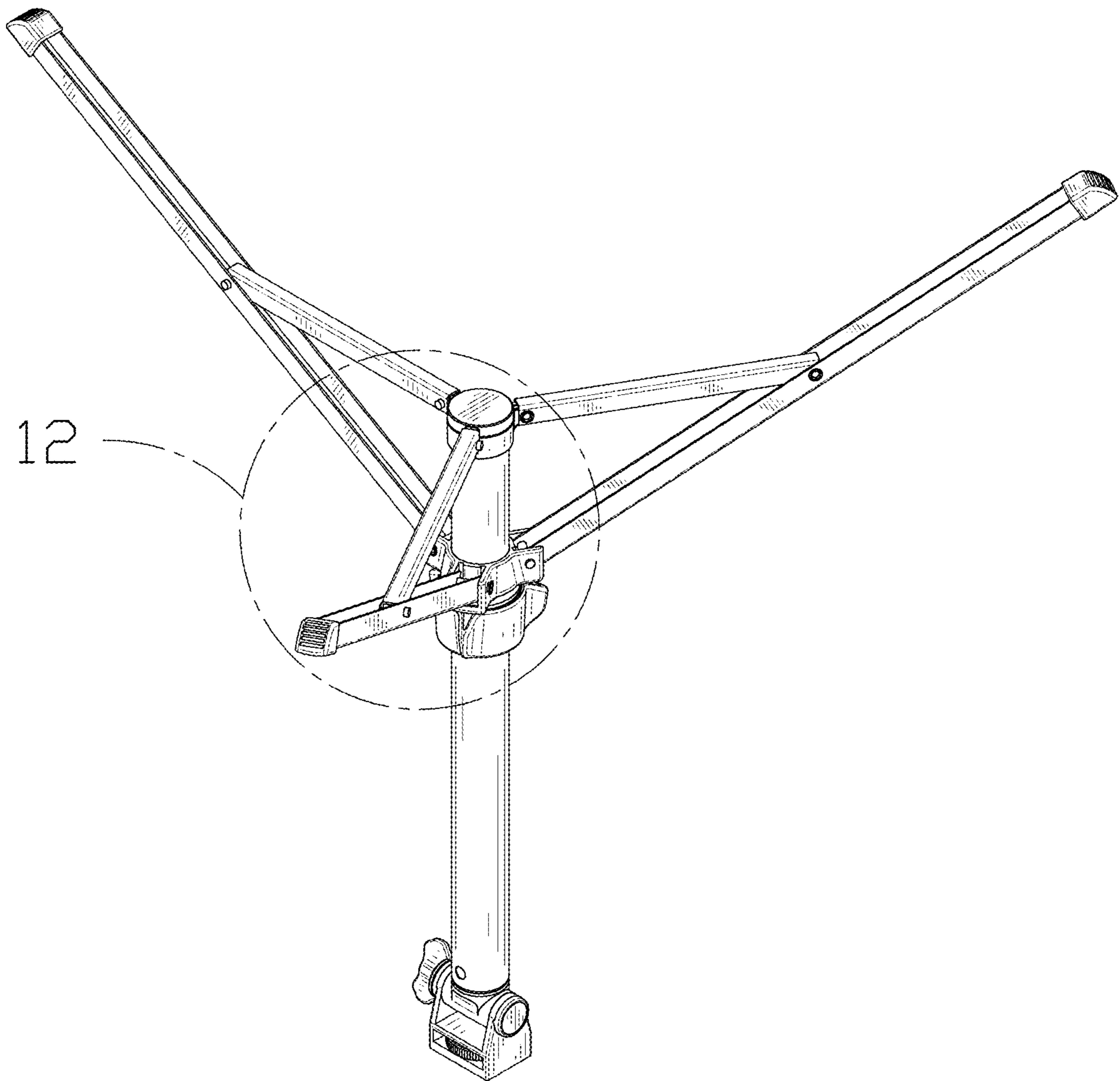


FIG. 2

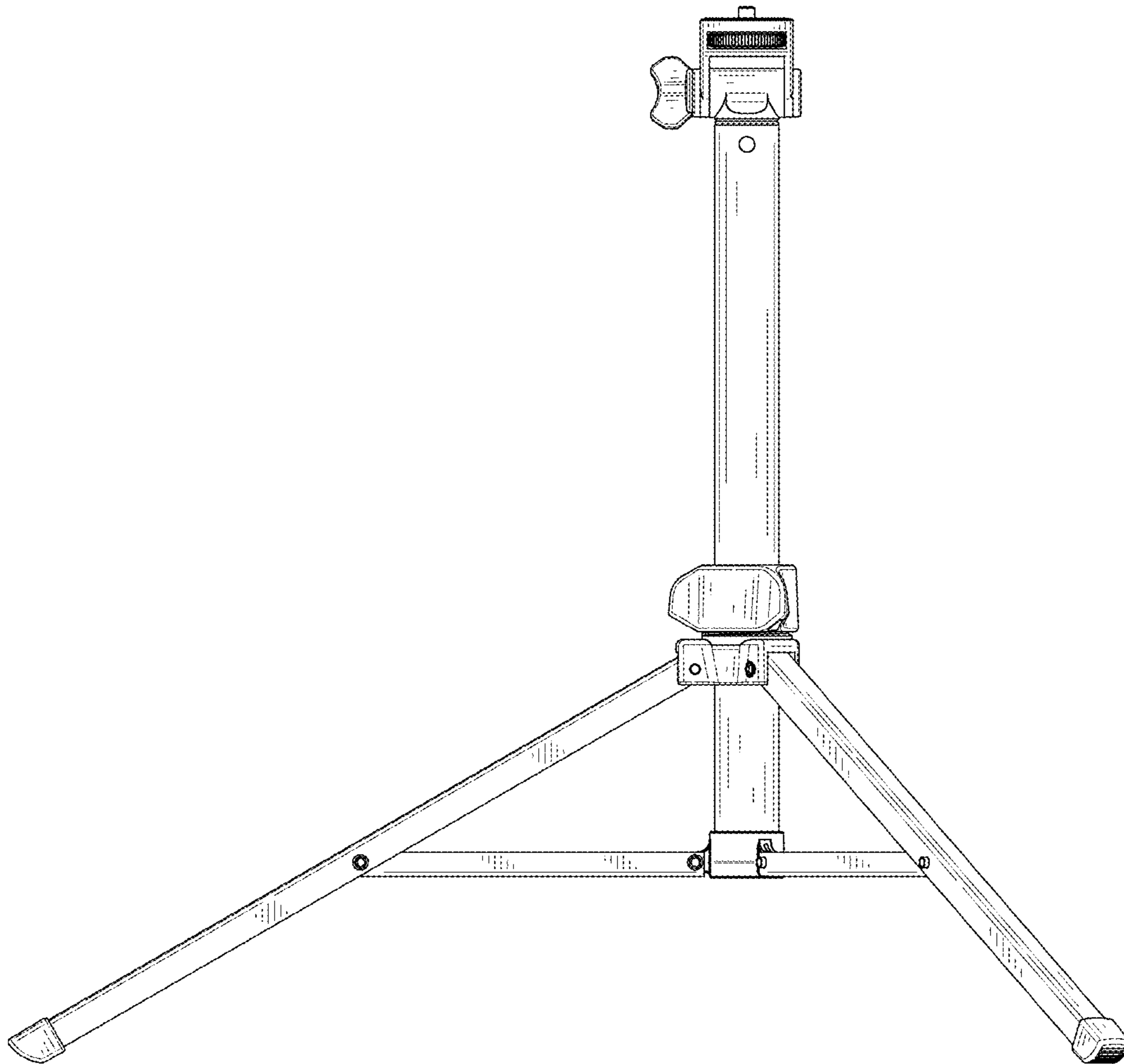


FIG. 3

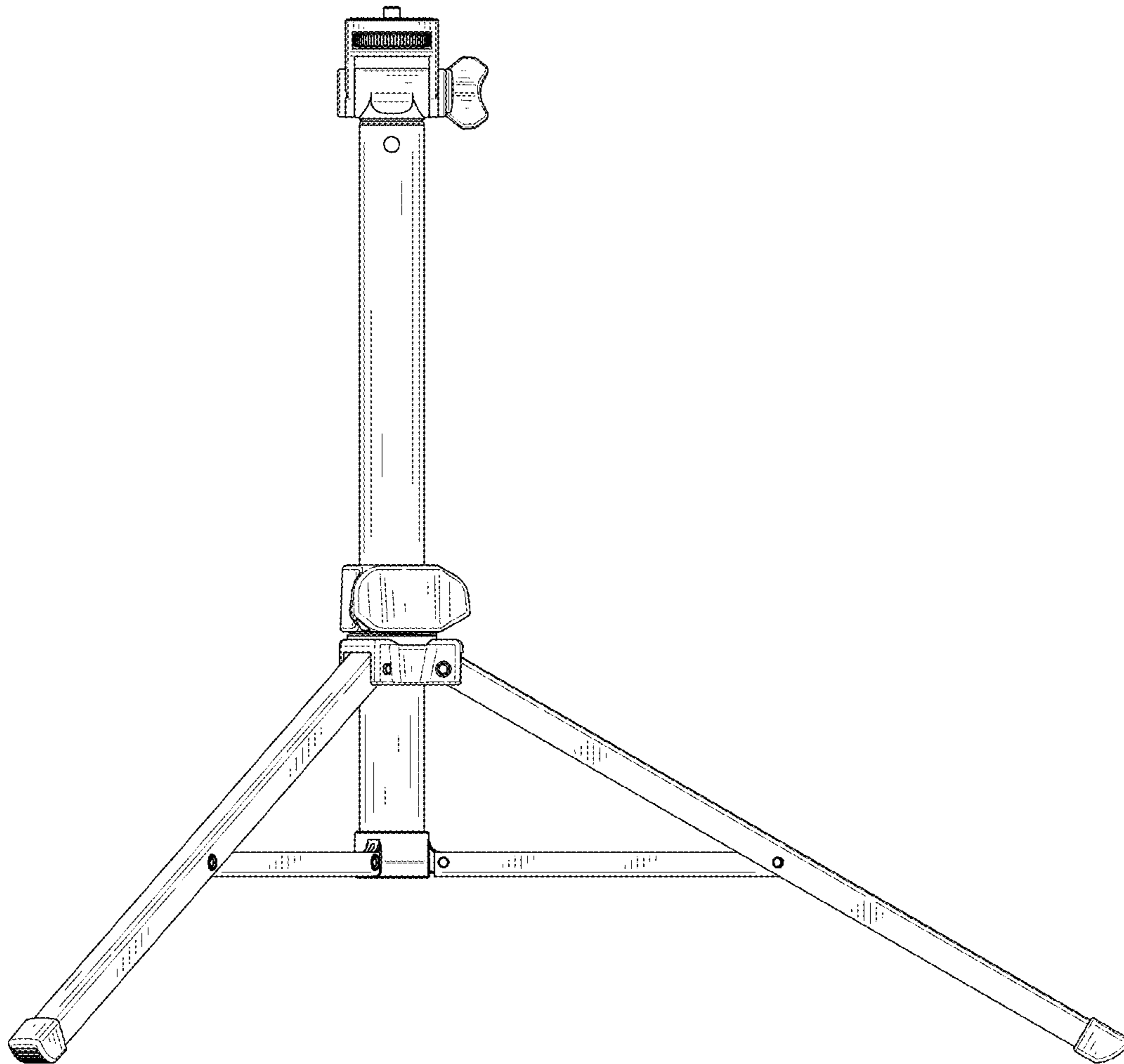


FIG. 4

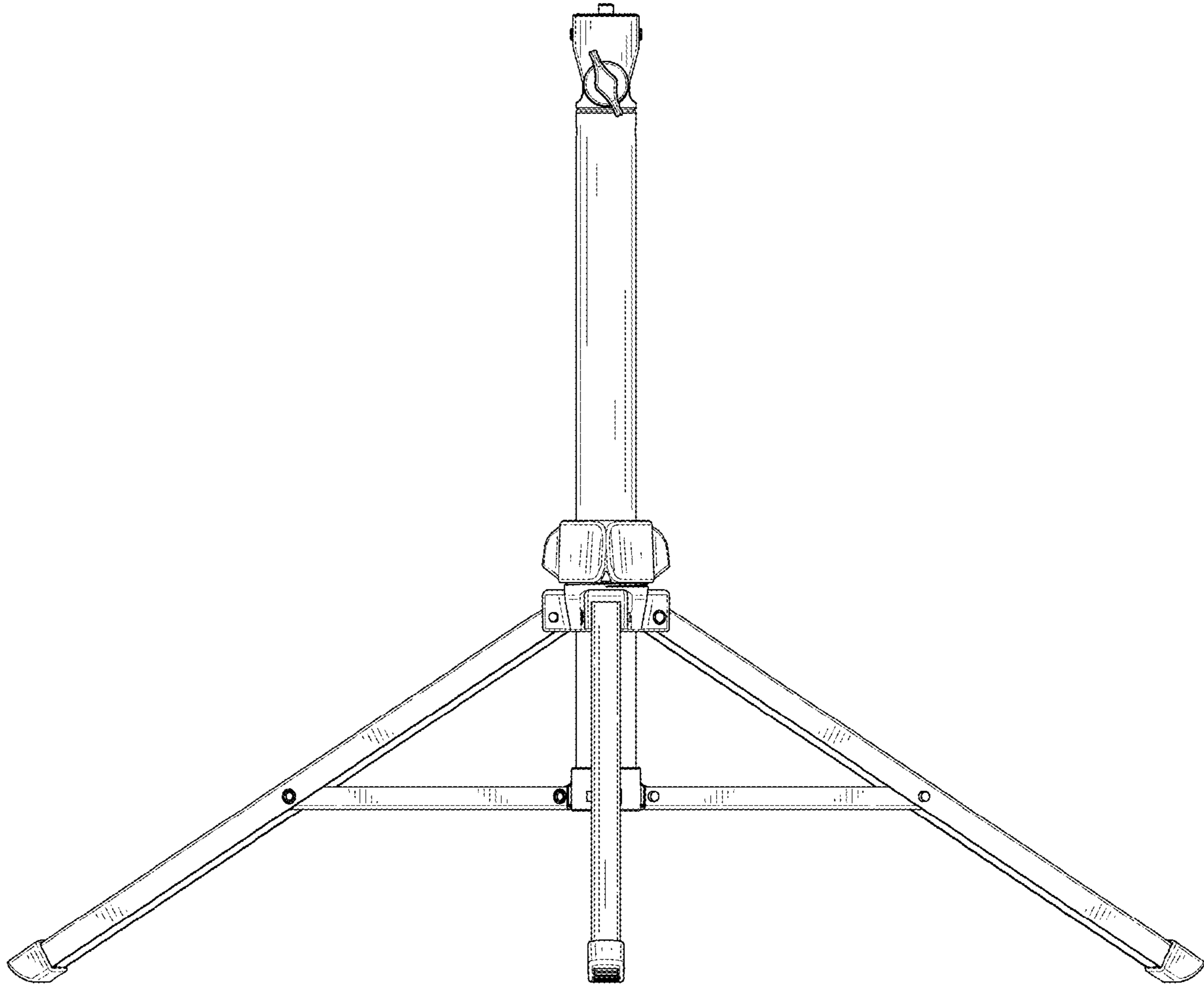


FIG. 5

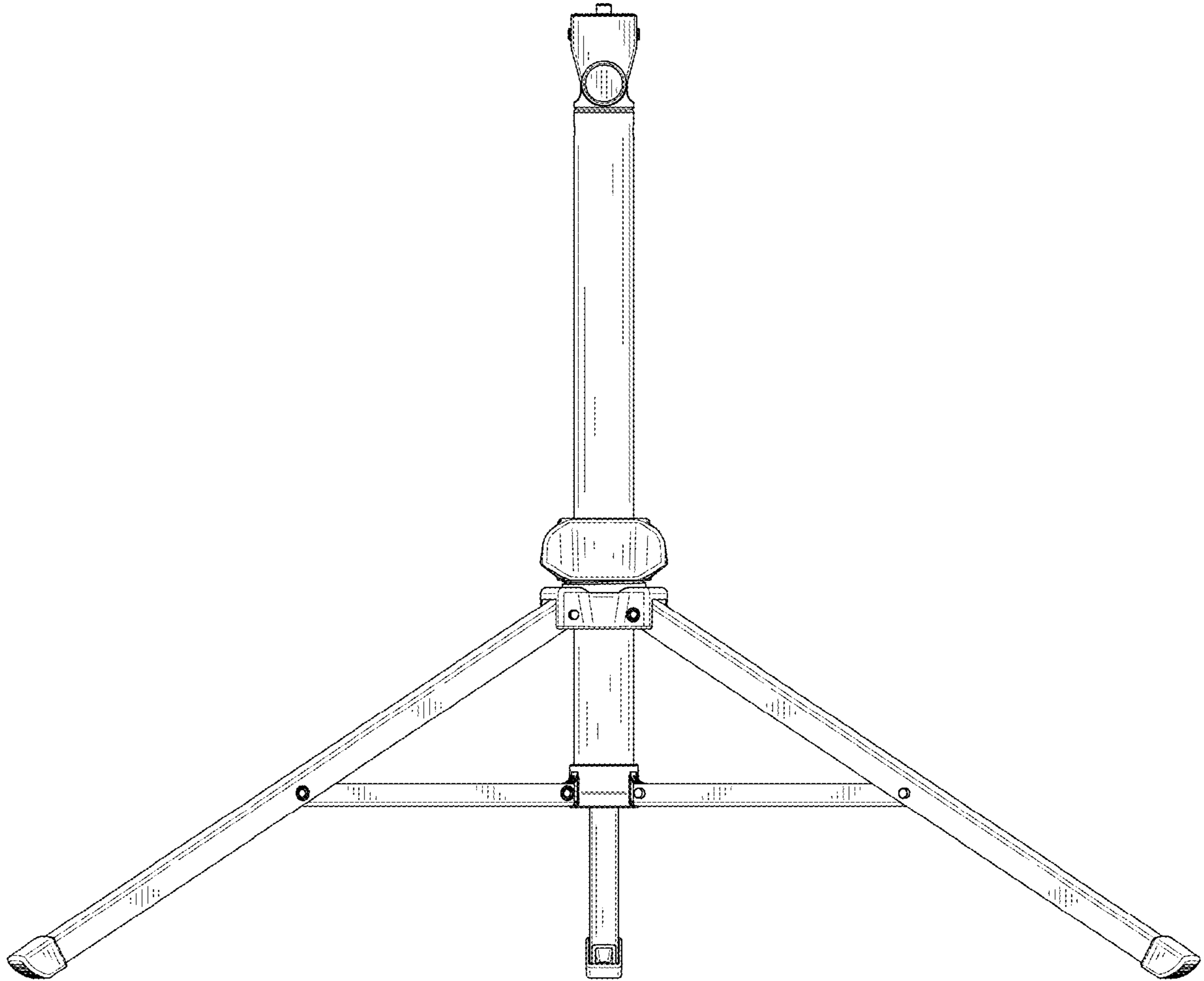


FIG. 6

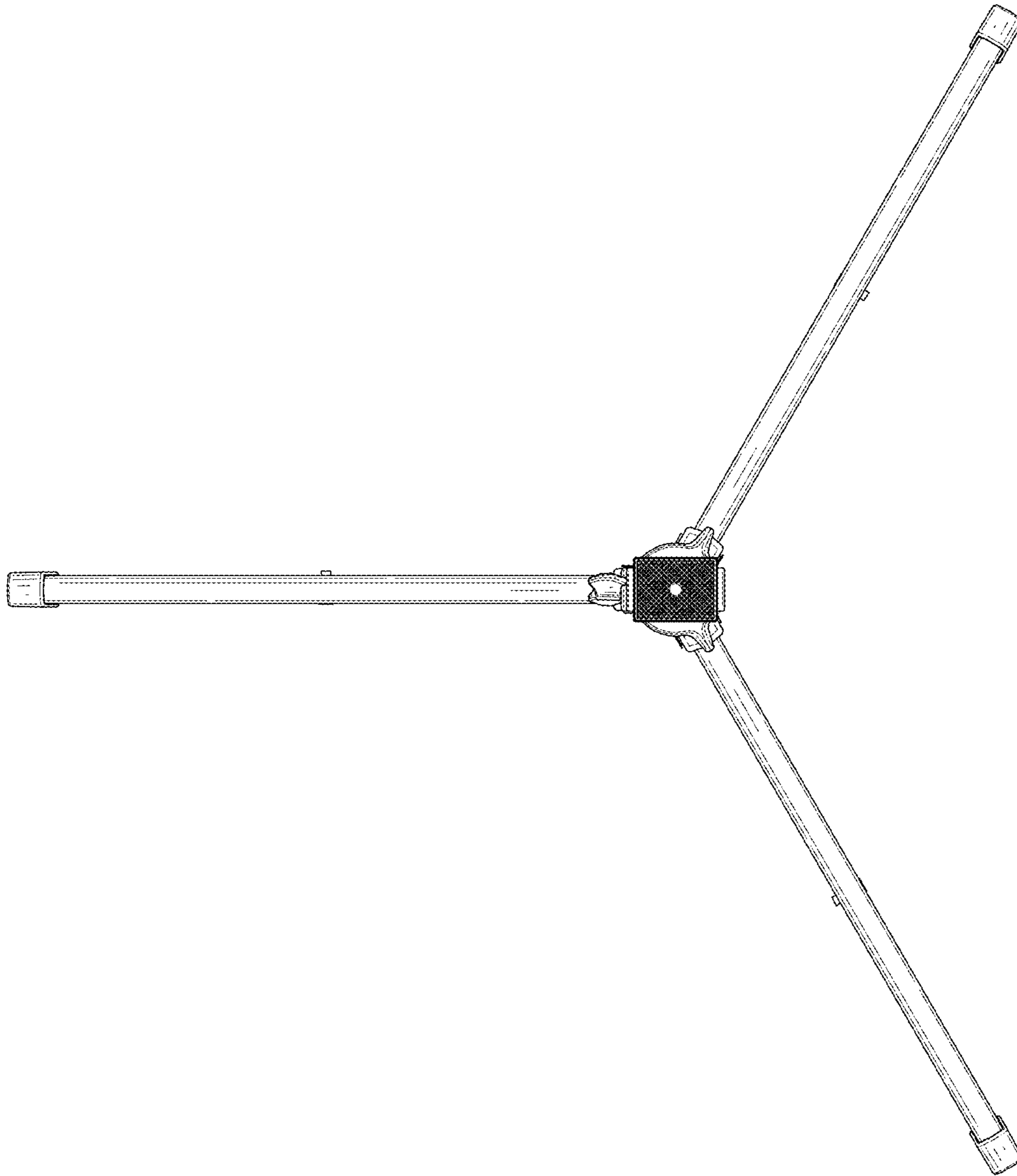


FIG. 7

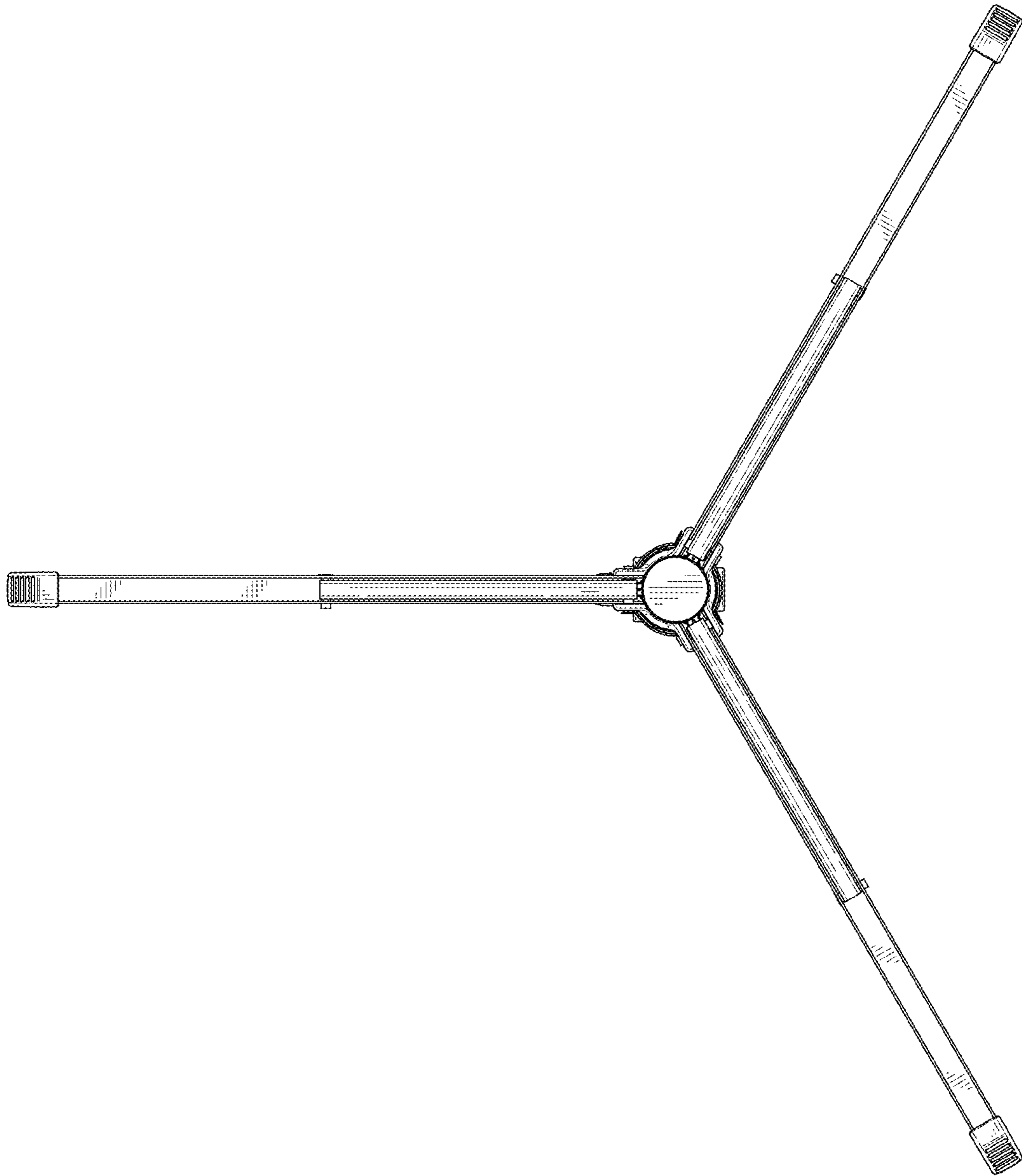


FIG. 8

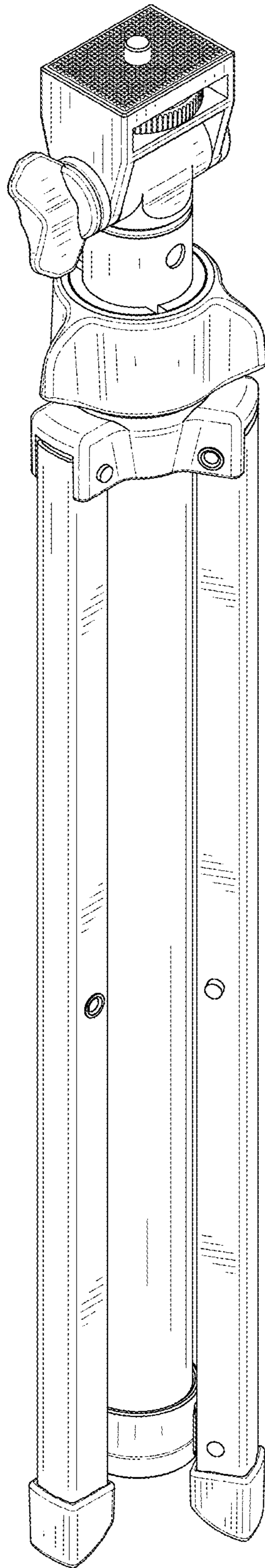


FIG. 9

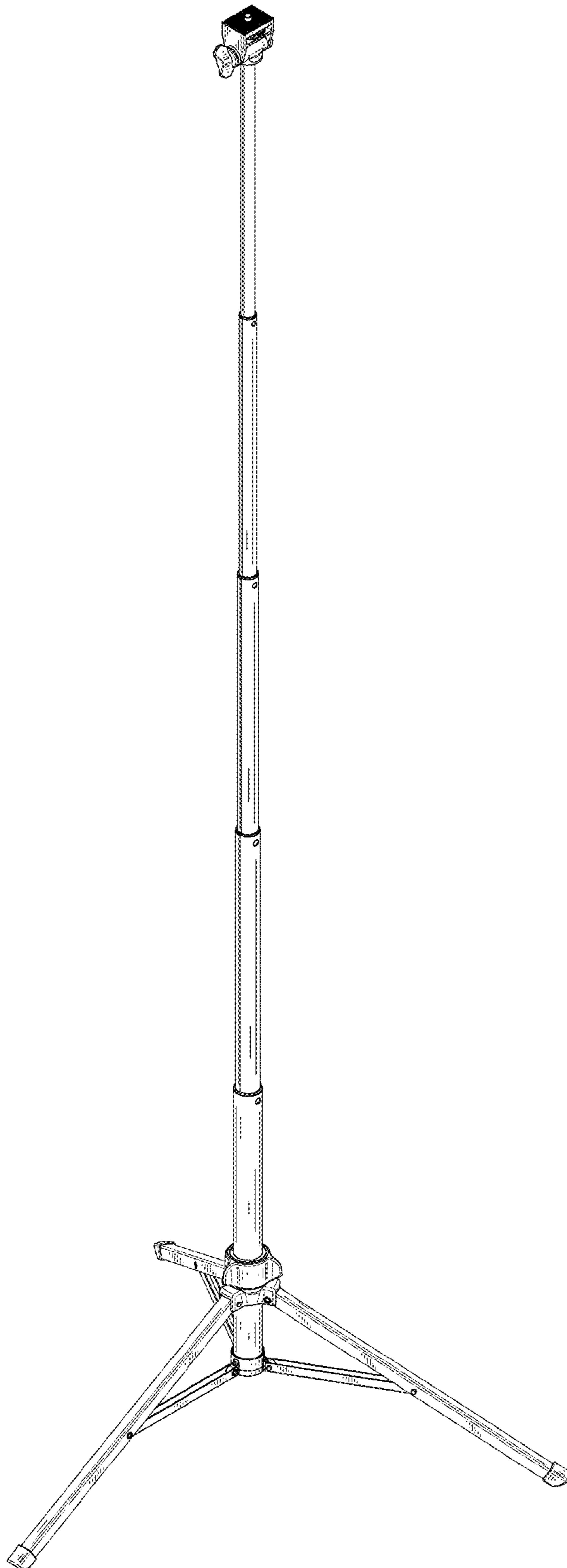


FIG. 10

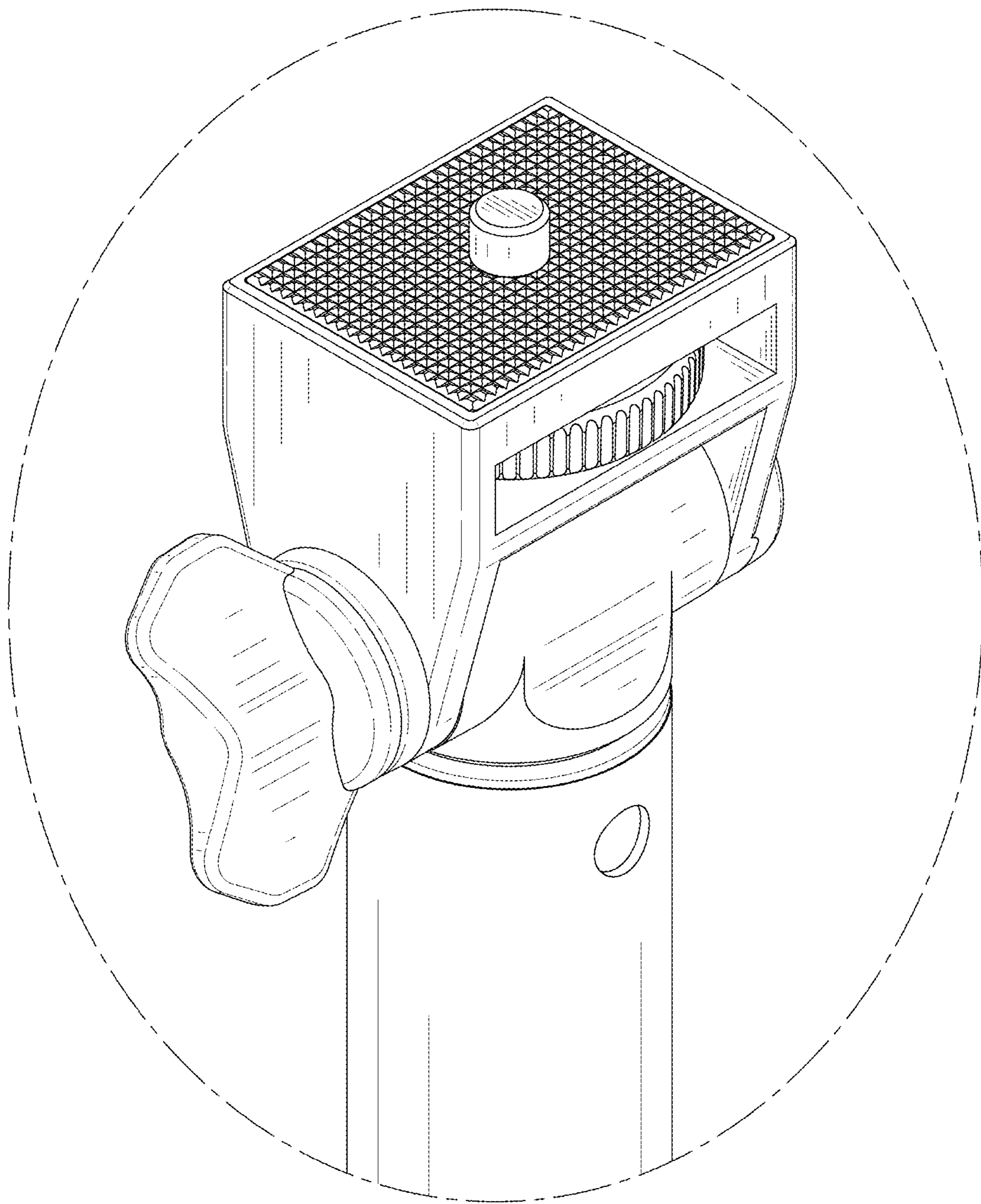


FIG. 11

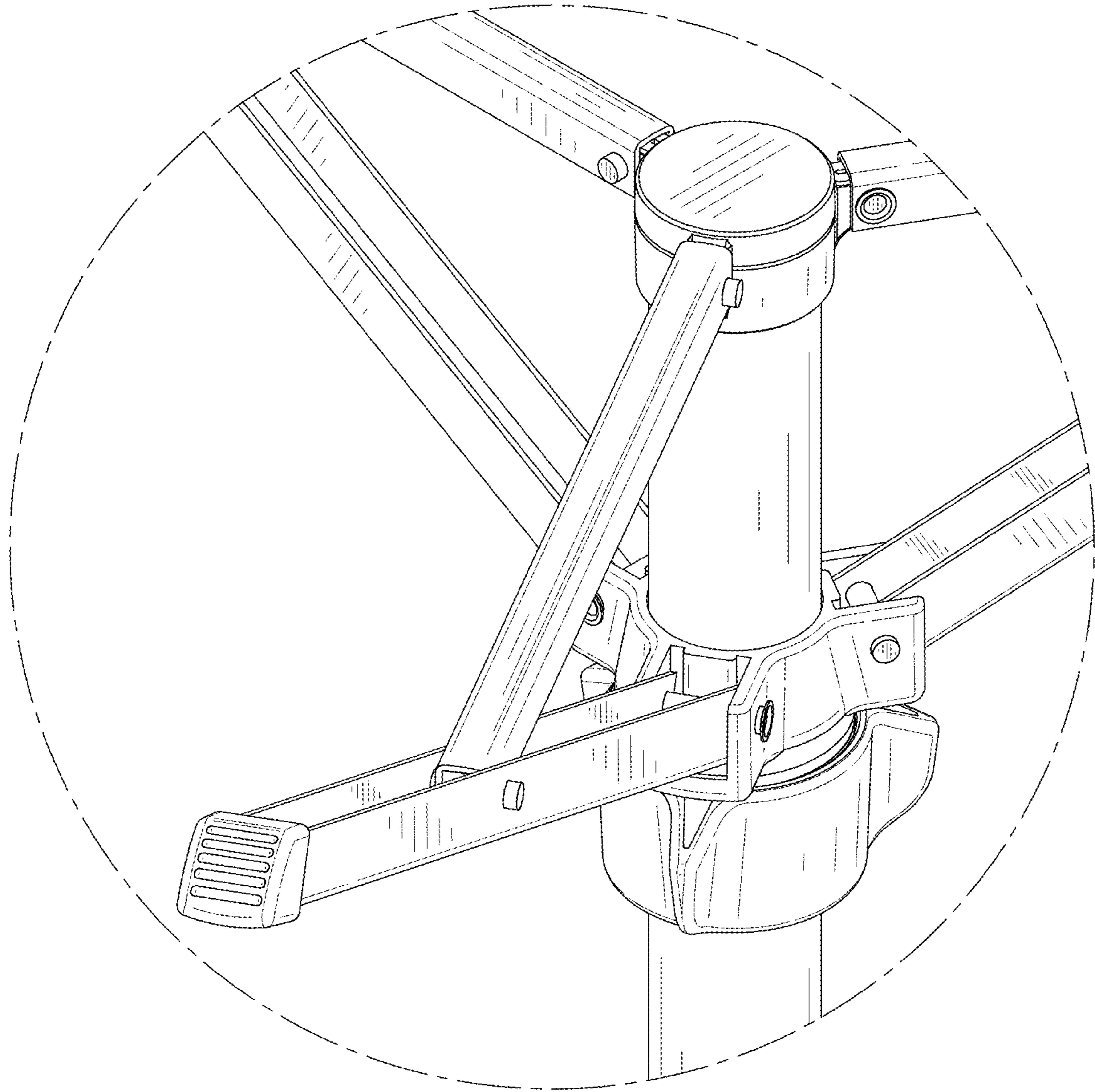


FIG. 12