



US00D916170S

(12) **United States Design Patent**  
**Woodward**

(10) **Patent No.:** **US D916,170 S**  
(45) **Date of Patent:** **\*\* Apr. 13, 2021**

(54) **COMBINED CAMERA AND WEARABLE RING FOR HOLDING A CAMERA**

(71) Applicant: **Charles Hudson**, St Saviour (JE)

(72) Inventor: **Harley Woodward**, Trinity (JE)

(\*\*) Term: **15 Years**

(21) Appl. No.: **29/686,442**

(22) Filed: **Apr. 4, 2019**

(51) **LOC (13) Cl.** ..... **16-05**

(52) **U.S. Cl.**  
USPC ..... **D16/242**; D16/200

(58) **Field of Classification Search**  
USPC ..... D16/219, 237-250, 200; D8/354, 355,  
D8/363, 373, 382-383, 394-396;  
D14/224, 229, 238, 251, 253, 447, 451,  
D14/457  
CPC ..... F16M 11/06-10; F16M 11/14; G02B  
7/00-002; G03B 17/56; G03B  
17/561-566; H04N 5/2253-2254  
See application file for complete search history.

(56) **References Cited**

**U.S. PATENT DOCUMENTS**

D513,419 S \* 1/2006 Morrison ..... D20/28  
D523,050 S \* 6/2006 Bahroocha ..... D16/202  
(Continued)

**OTHER PUBLICATIONS**

OPKIX ring accessory mount. [online] Retrieved Sep. 18, 2020  
from URL: <https://www.opkix.com/products/ring?variant=22152660877401>.\*

*Primary Examiner* — Vy N Koenig

(74) *Attorney, Agent, or Firm* — Inventa Capital PLC

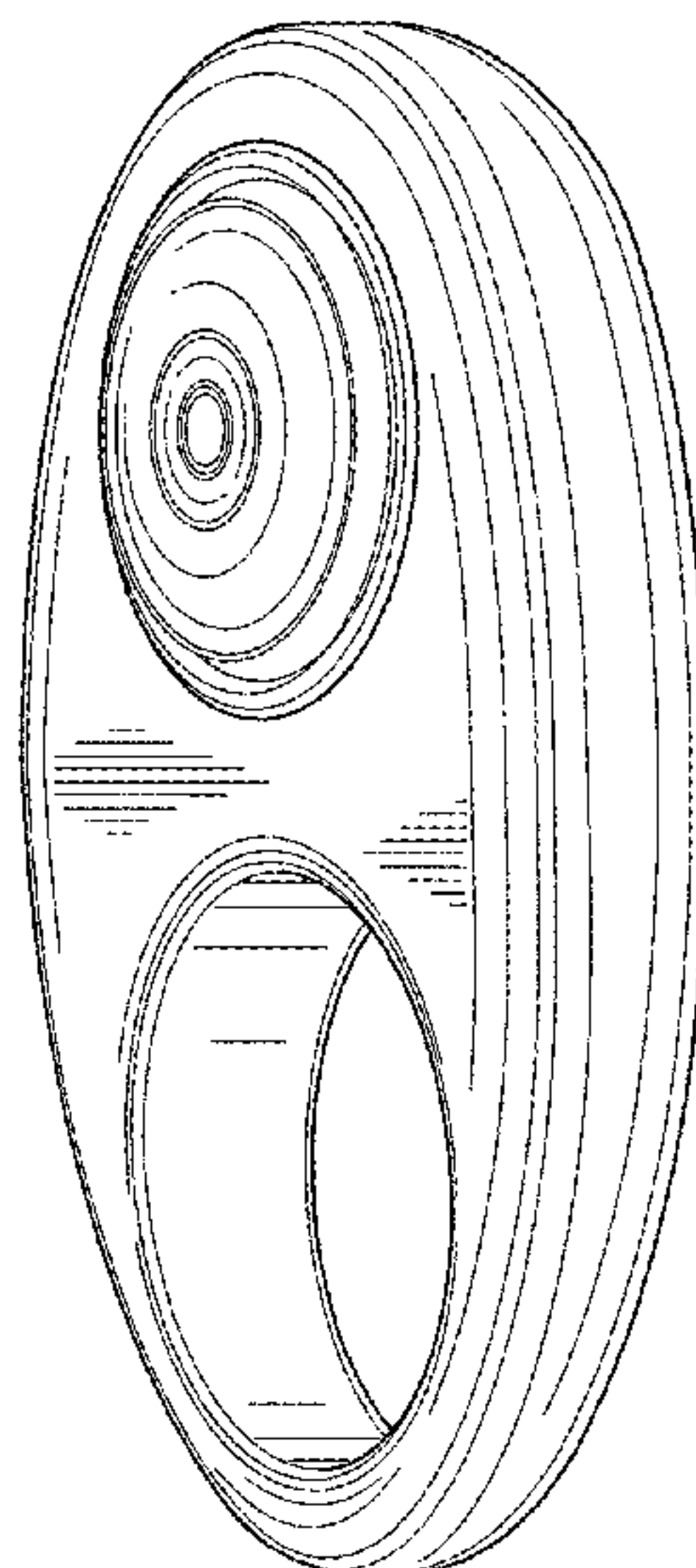
(57) **CLAIM**

The ornamental design for a combined camera and wearable ring for holding a camera, as shown and described.

**DESCRIPTION**

FIG. 1 is a front side view of a combined camera and wearable ring for holding a camera showing my new design; FIG. 2 is a front view of the combined camera and wearable ring for holding a camera with the camera inside; FIG. 3 is a top view of the combined camera and wearable ring for holding a camera with the camera inside; FIG. 4 is a top view of the combined camera and wearable ring for holding a camera shown without the camera to reveal aspects of the design that may not be apparent in other views; FIG. 5 is a right side view of the combined camera and wearable ring for holding a camera with the camera inside; FIG. 6 is a right side view of the combined camera and wearable ring for holding a camera shown without the camera to reveal aspects of the design that may not be apparent in other views; FIG. 7 is a left side view of the combined camera and wearable ring for holding a camera with the camera inside; FIG. 8 is a left side view of the combined camera and wearable ring for holding a camera shown without the camera to reveal aspects of the design that may not be apparent in other views; FIG. 9 is a rear side view of the combined camera and wearable ring for holding a camera; FIG. 10 is a perspective view of the combined camera and wearable ring for holding a camera; FIG. 11 is a perspective view of the combined camera and wearable ring for holding a camera taken from the bottom shown without the camera to reveal aspects of the design that may not be apparent in other views; and, FIG. 12 is a perspective side view of the combined camera and wearable ring for holding the camera positioned on a part of a human body.  
The broken lines shown in the drawings represent environmental subject matter and form no part of the claimed design.

**1 Claim, 8 Drawing Sheets**



(56)

**References Cited**

U.S. PATENT DOCUMENTS

D525,117 S *	7/2006	Mariano .....	D8/395
D550,545 S *	9/2007	Ernst .....	D8/373
D608,629 S *	1/2010	Daugherty .....	D8/395
D665,386 S *	8/2012	Fathollahi .....	D14/250
D703,267 S *	4/2014	Harvey Pennaz .....	D19/86
D713,240 S *	9/2014	Chance .....	D8/356
D715,610 S *	10/2014	Almsberger .....	D8/18
D729,859 S *	5/2015	Shin .....	D16/203
D795,050 S *	8/2017	Kim .....	D8/395
D854,917 S *	7/2019	Amrein .....	D8/382
D858,619 S *	9/2019	Cambridge .....	D16/242
D872,161 S *	1/2020	Pera .....	D16/218

\* cited by examiner

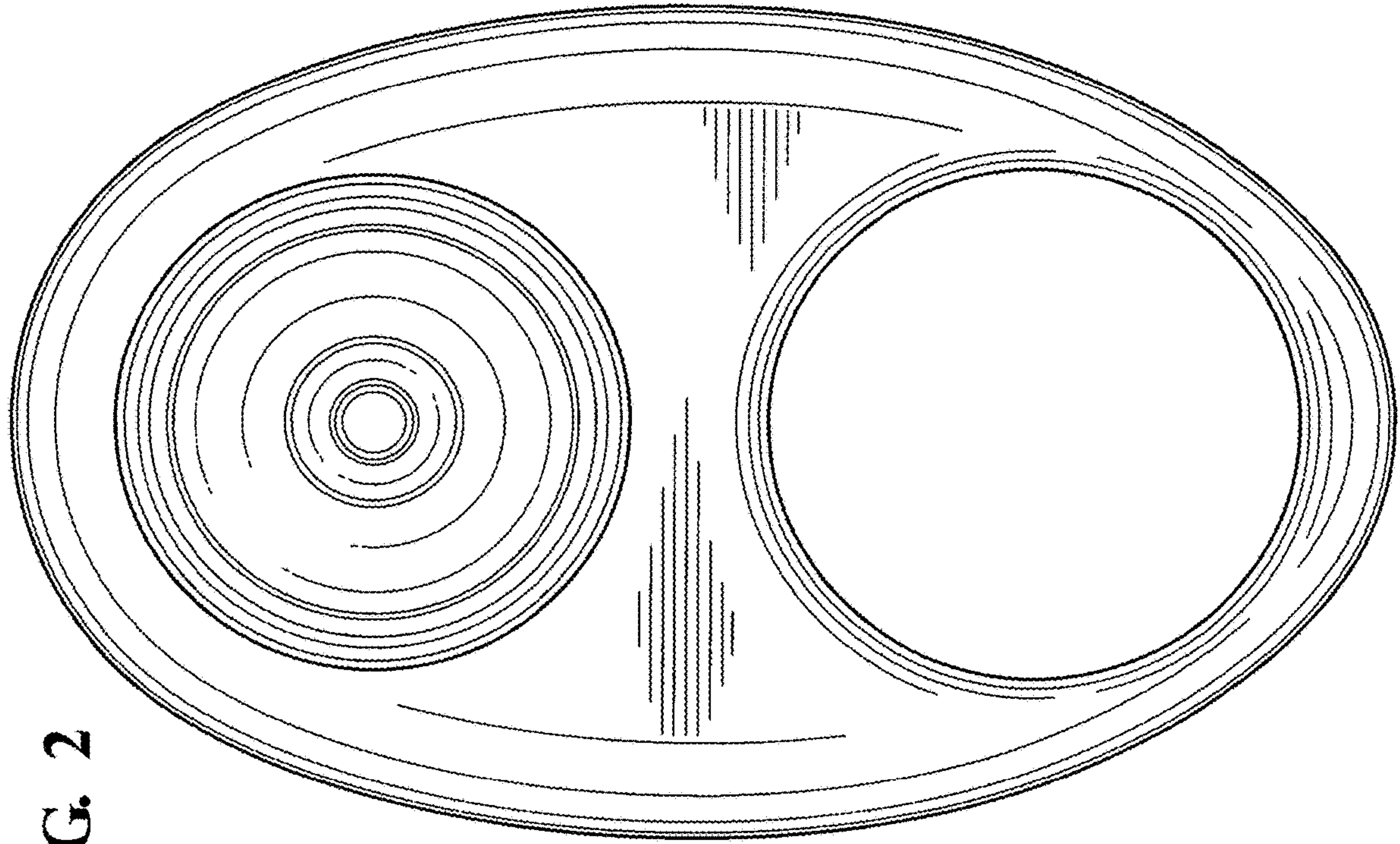


FIG. 2

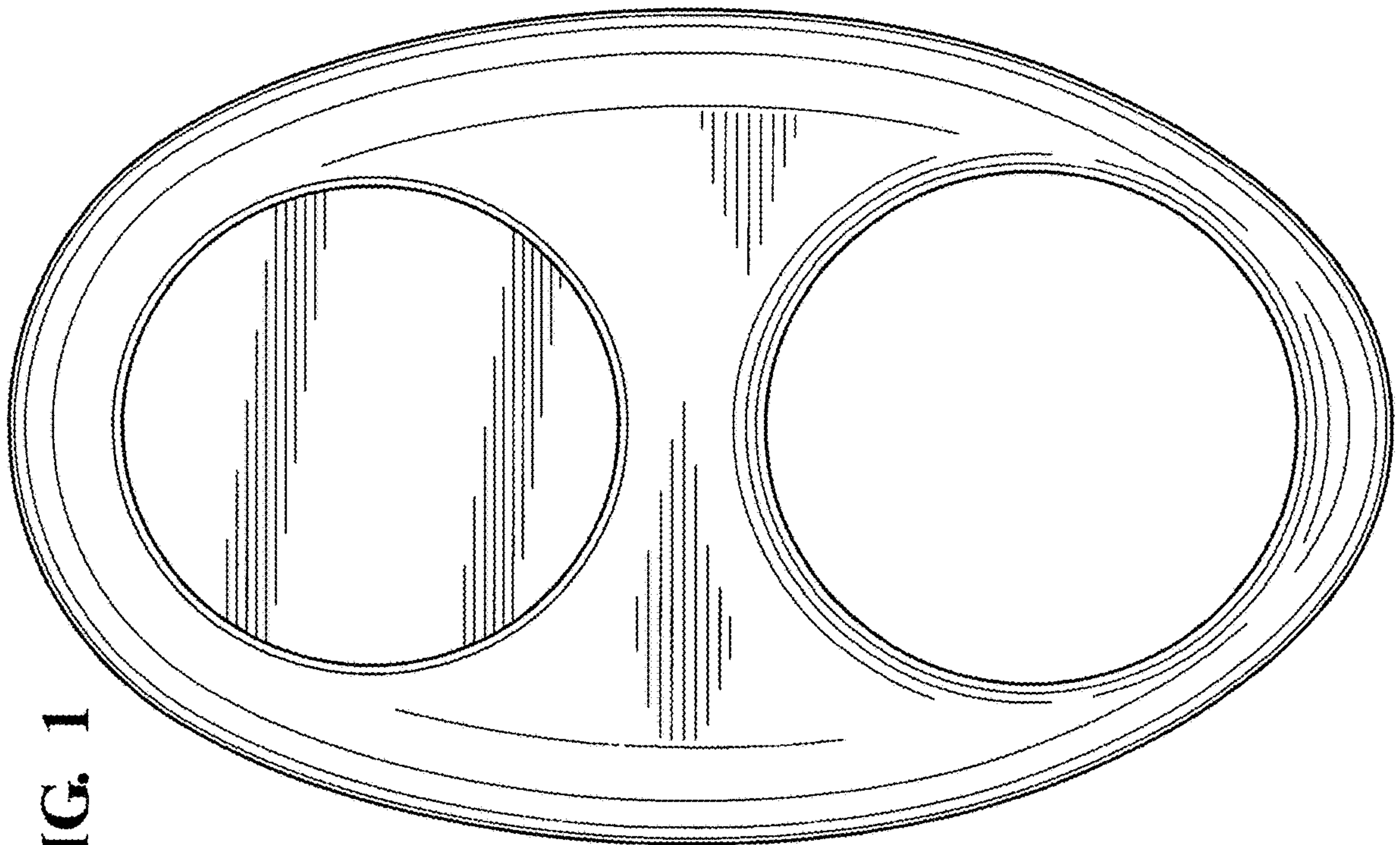
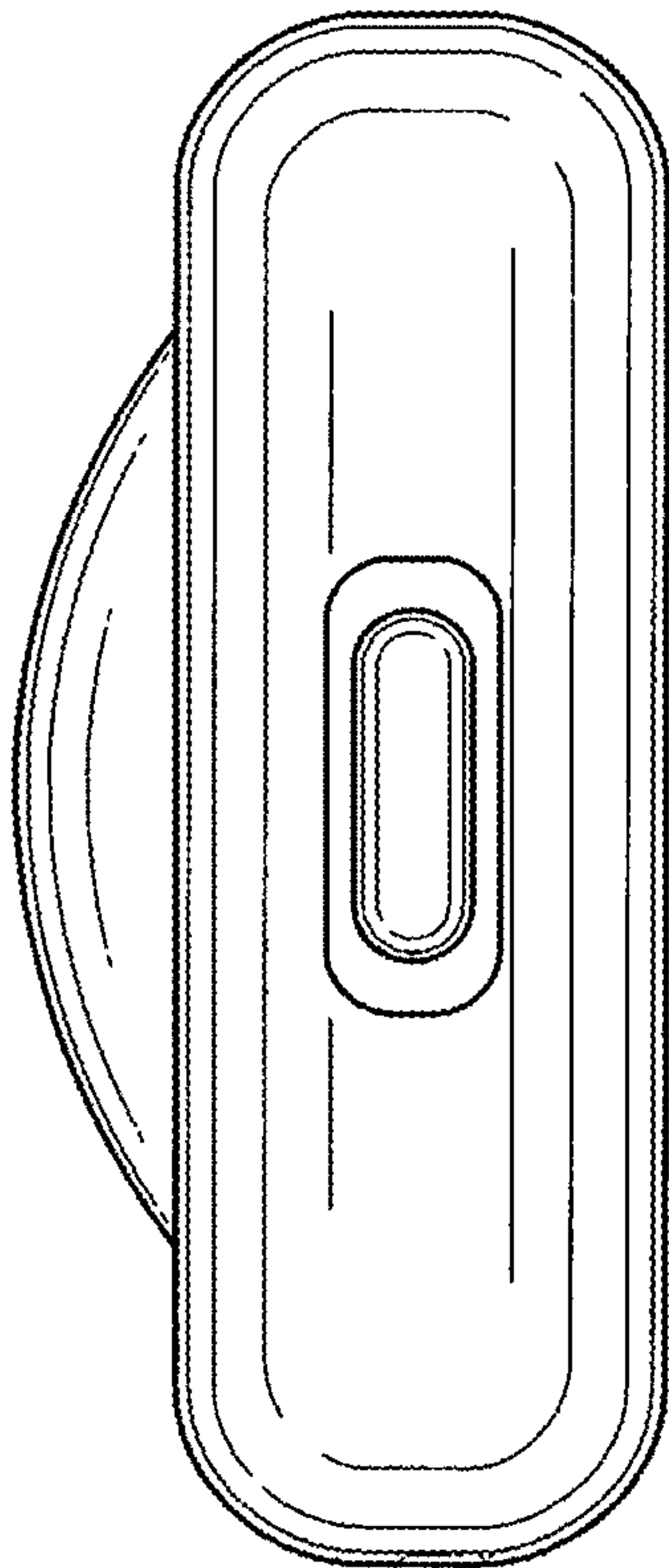
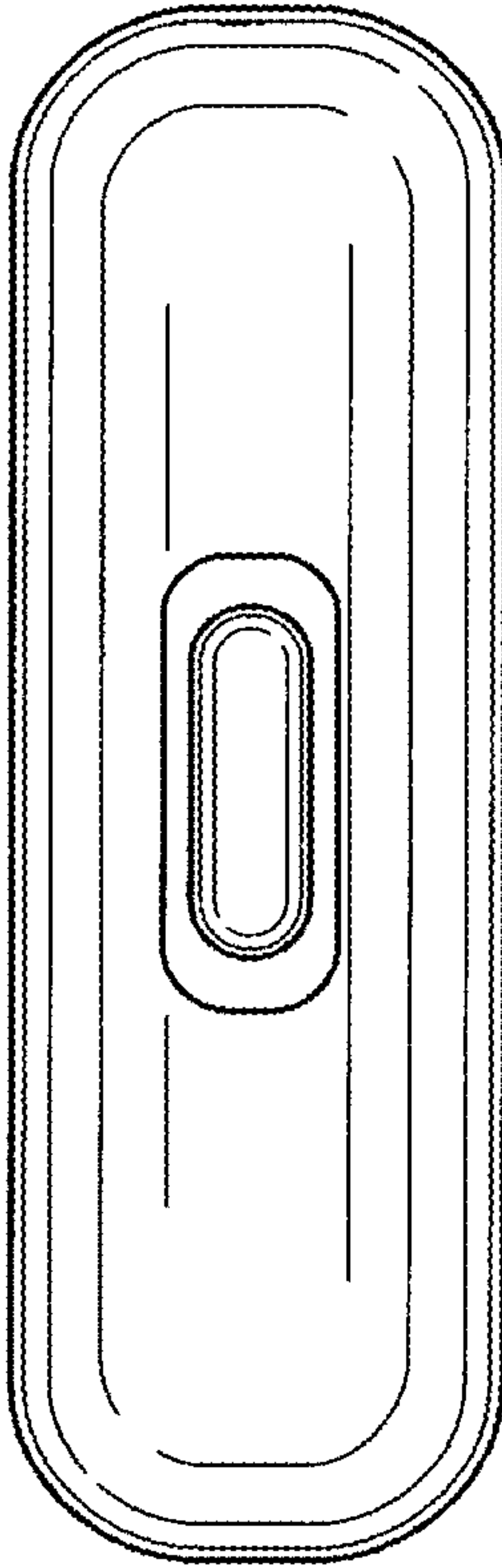


FIG. 1





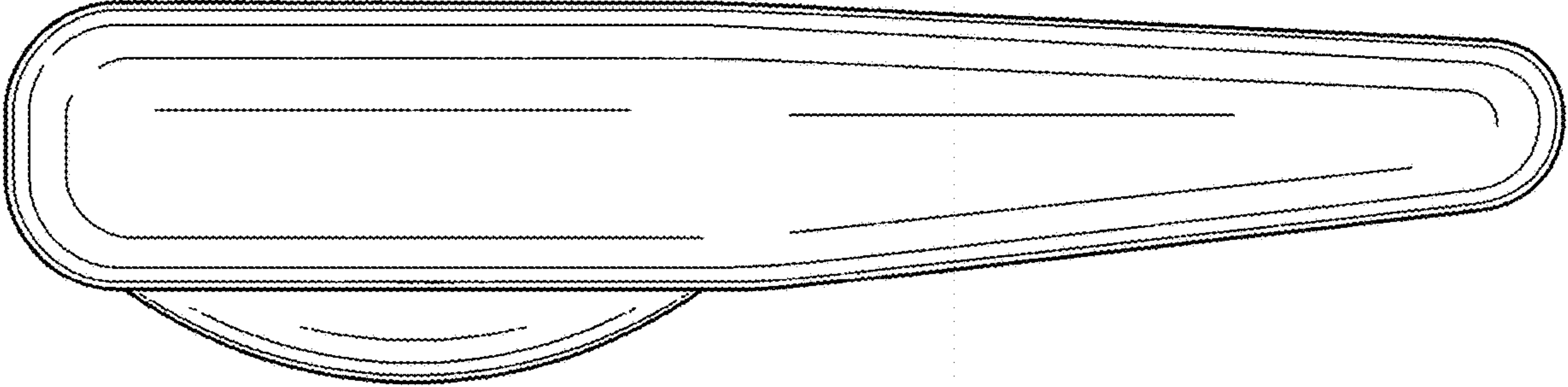
**FIG. 3**



**FIG. 4**



**FIG. 6**



**FIG. 5**

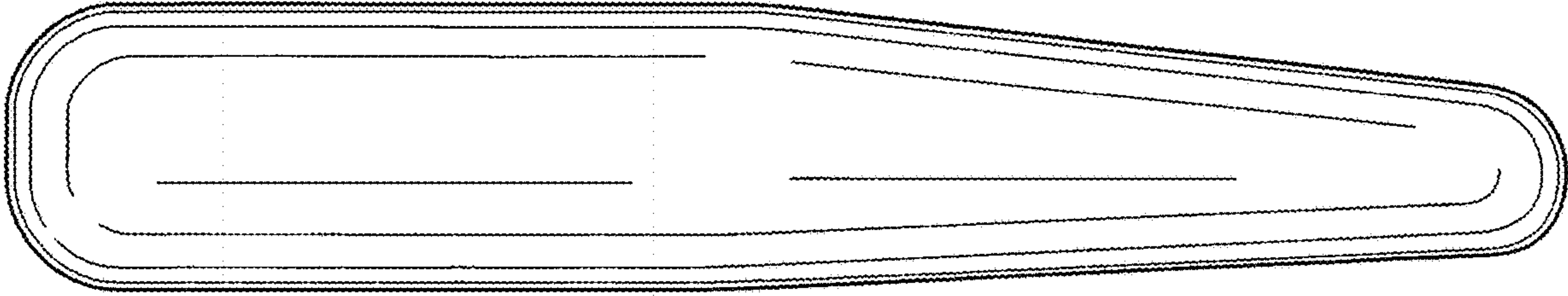


FIG. 8

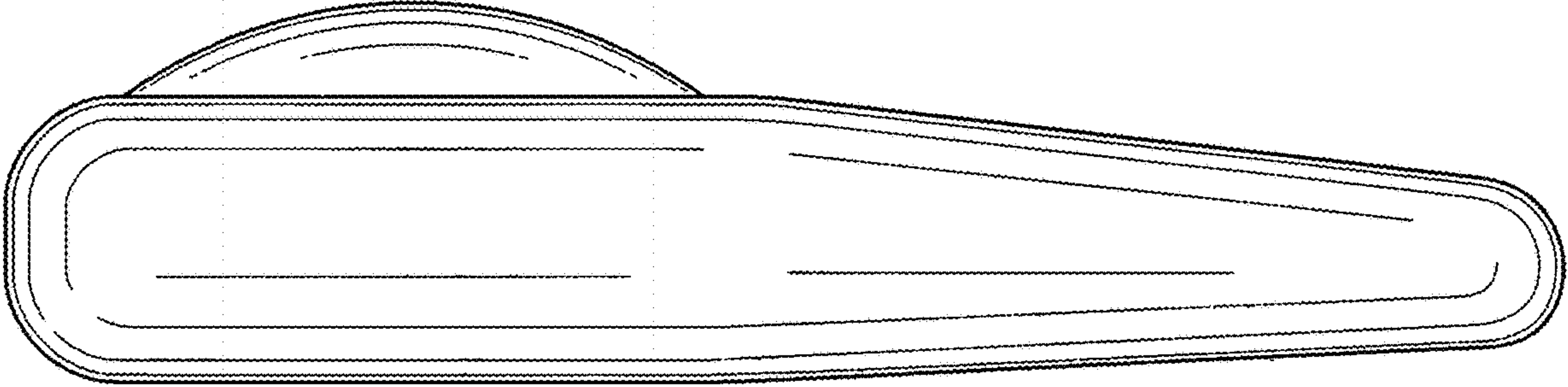


FIG. 7

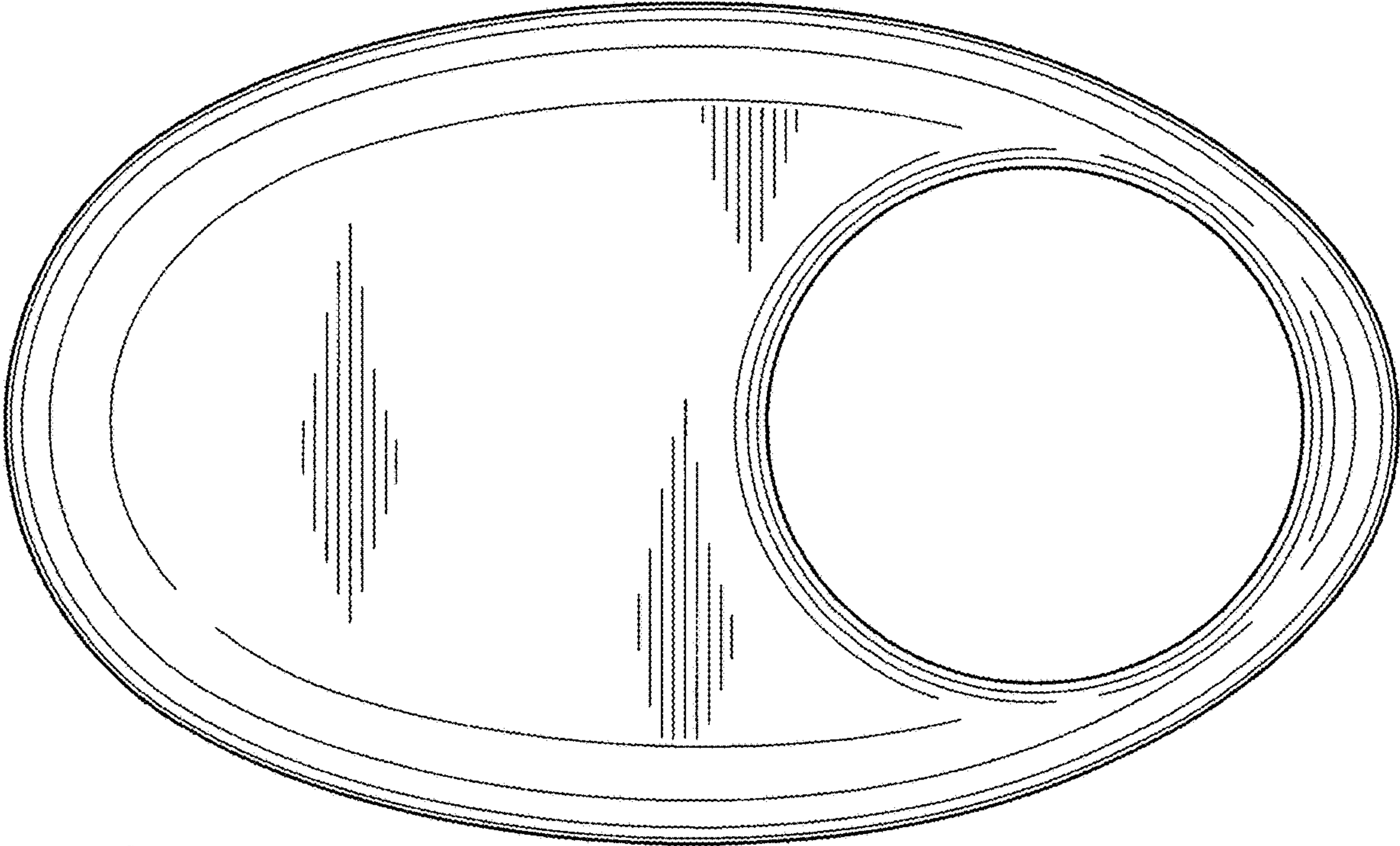


FIG. 9

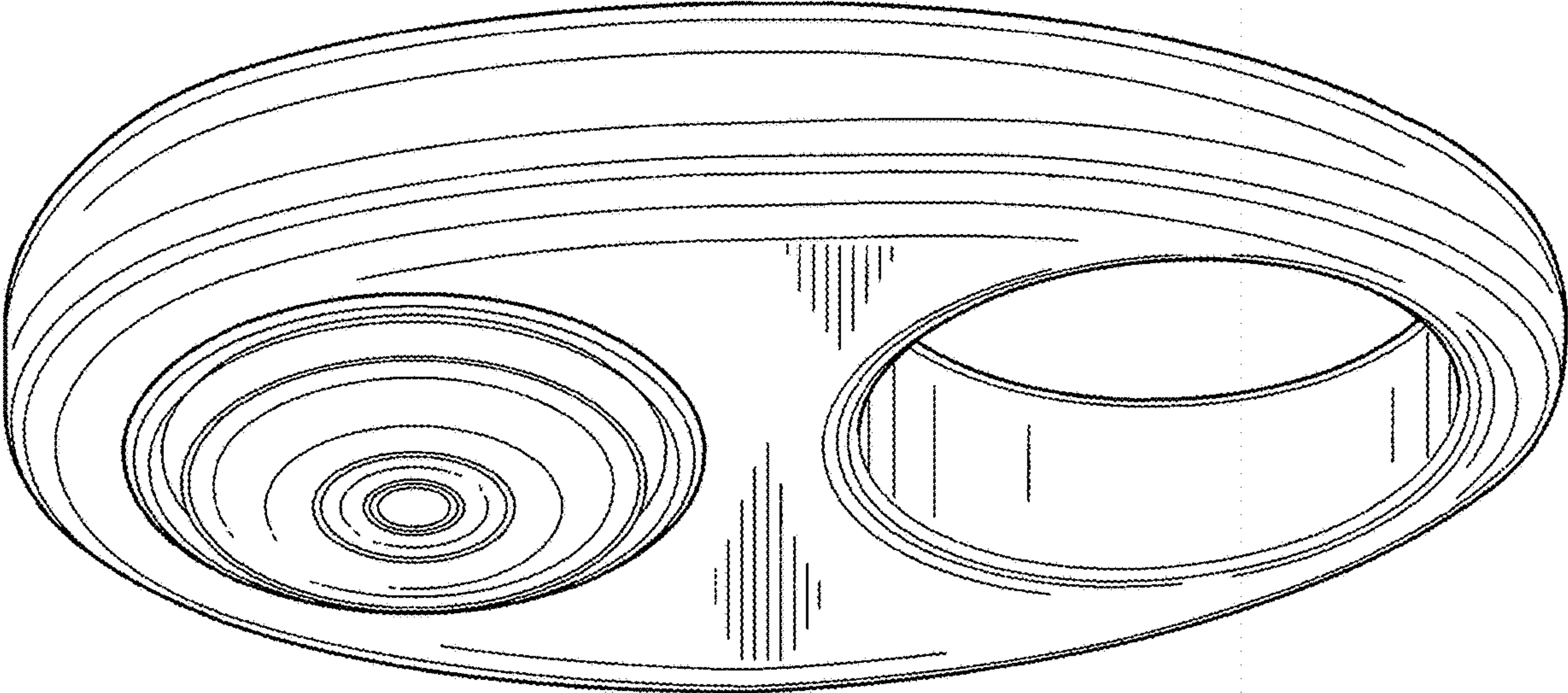


FIG. 10



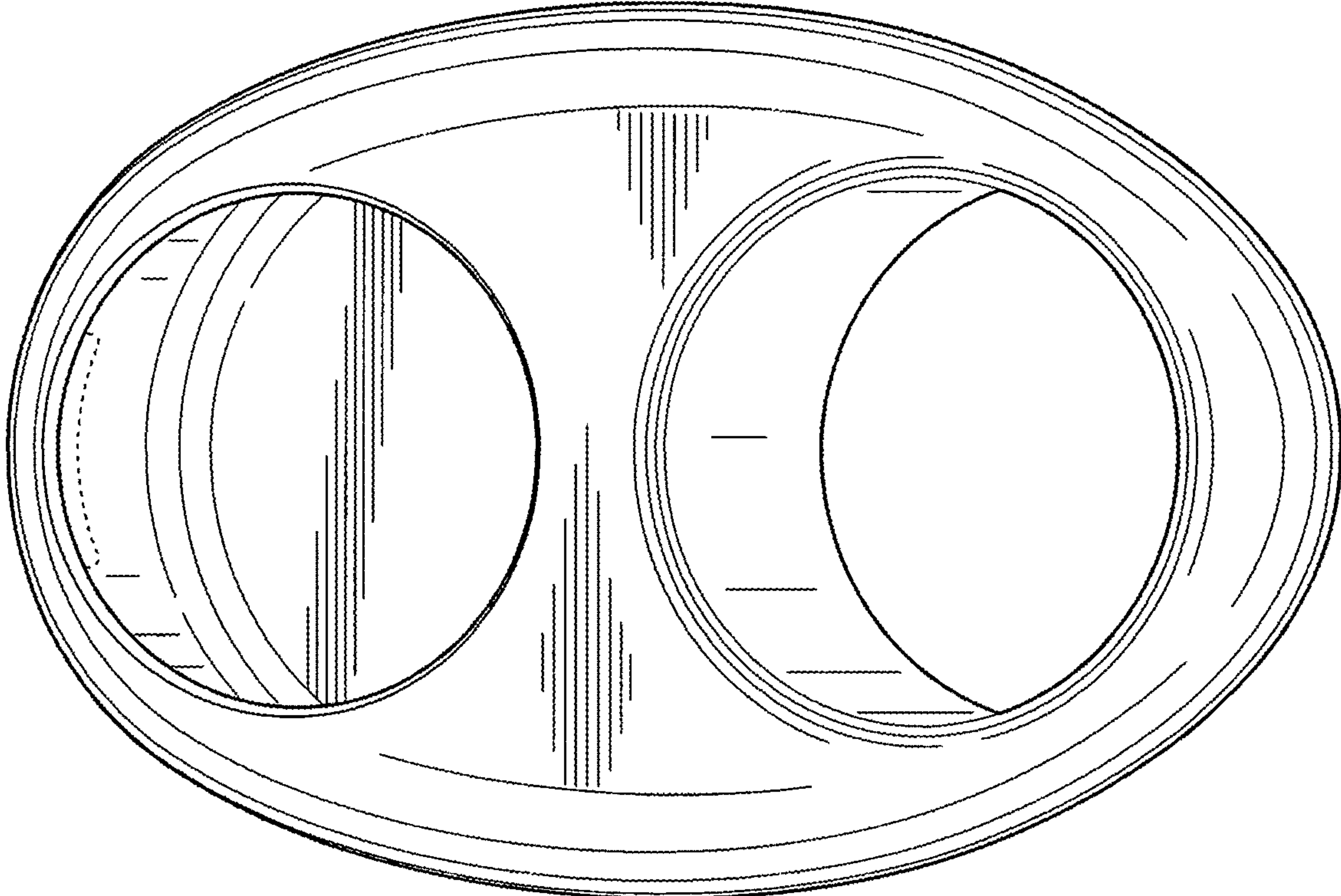


FIG. 11

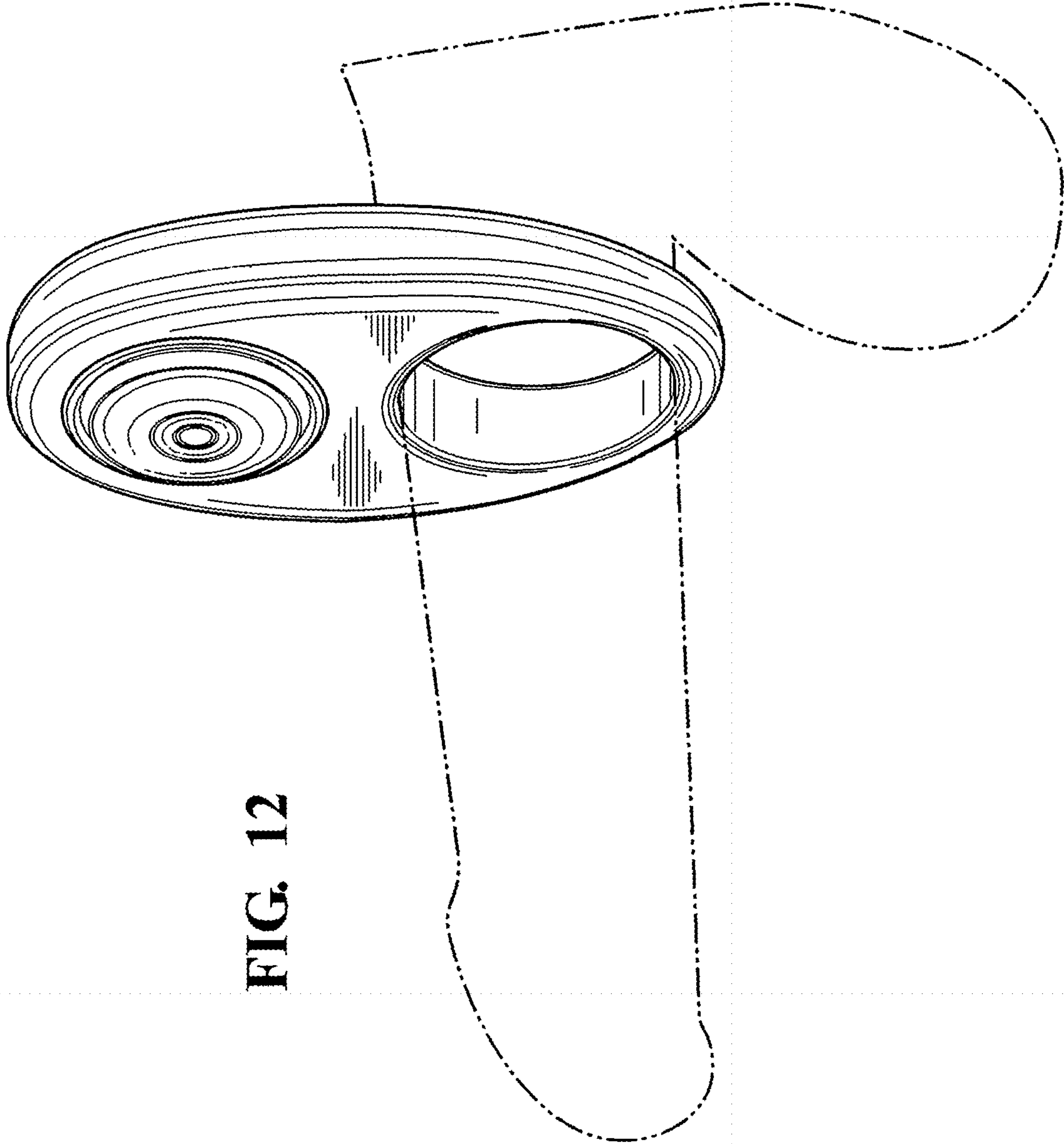


FIG. 12