



US00D916169S

(12) **United States Design Patent** (10) **Patent No.:** **US D916,169 S**  
**Jobetto** (45) **Date of Patent:** **\*\* Apr. 13, 2021**

(54) **CONTROLLER FOR A SURVEILLANCE CAMERA**  
(71) Applicant: **PANASONIC I-PRO SENSING SOLUTIONS CO., LTD.**, Fukuoka (JP)  
(72) Inventor: **Takeshi Jobetto**, Fukuoka (JP)  
(73) Assignee: **PANASONIC I-PRO SENSING SOLUTIONS CO., LTD.**, Fukuoka (JP)

D365,605 S \* 12/1995 Jensen ..... D14/416  
D421,038 S \* 2/2000 Hisatsune ..... D13/168  
D444,785 S \* 7/2001 Whitehorn ..... D14/412  
D503,928 S \* 4/2005 Obata ..... D13/164  
D516,559 S \* 3/2006 Cohen ..... D14/412  
D517,589 S \* 3/2006 Muto ..... D13/168  
D658,184 S \* 4/2012 Chang ..... D14/413  
D698,357 S \* 1/2014 Mainville ..... D14/412  
D706,268 S \* 6/2014 Beams ..... D14/413  
D720,350 S \* 12/2014 Haubrich ..... D14/415  
D723,559 S \* 3/2015 Hein ..... D14/413  
D735,722 S \* 8/2015 Amann ..... D14/413

(Continued)

(\*\*) Term: **15 Years**

(21) Appl. No.: **29/715,604**

(22) Filed: **Dec. 3, 2019**

(30) **Foreign Application Priority Data**

Jun. 4, 2019 (JP) ..... 2019-012229

(51) **LOC (13) Cl.** ..... **16-05**

(52) **U.S. Cl.**  
USPC ..... **D16/237**; D14/415

(58) **Field of Classification Search**  
USPC ..... D16/219, 237-245; D10/46, 61, 65;  
D14/218, 224, 229, 238, 251, 253, 447,  
D14/451, 457, 388, 396, 412-415  
CPC ..... A45F 2200/0508-0533; A45F 5/00; A45F  
5/10; F16M 11/06-10; F16M 11/14;  
G02B 7/00-002; G03B 17/56; G03B  
17/561-566; H04N 5/2253-2254  
See application file for complete search history.

(56) **References Cited**

U.S. PATENT DOCUMENTS

D247,746 S \* 4/1978 Hall ..... D13/168  
D271,313 S \* 11/1983 Nishi ..... D14/415  
4,469,330 A \* 9/1984 Asher ..... A63F 13/06  
463/38

OTHER PUBLICATIONS

WV-CU980. [online] Retrieved Jan. 12, 21 from URL: <https://business.panasonic.sg/security-solutions/wv-cu980>.\*

*Primary Examiner* — Vy N Koenig

(74) *Attorney, Agent, or Firm* — Greenblum & Bernstein, P.L.C.

(57) **CLAIM**

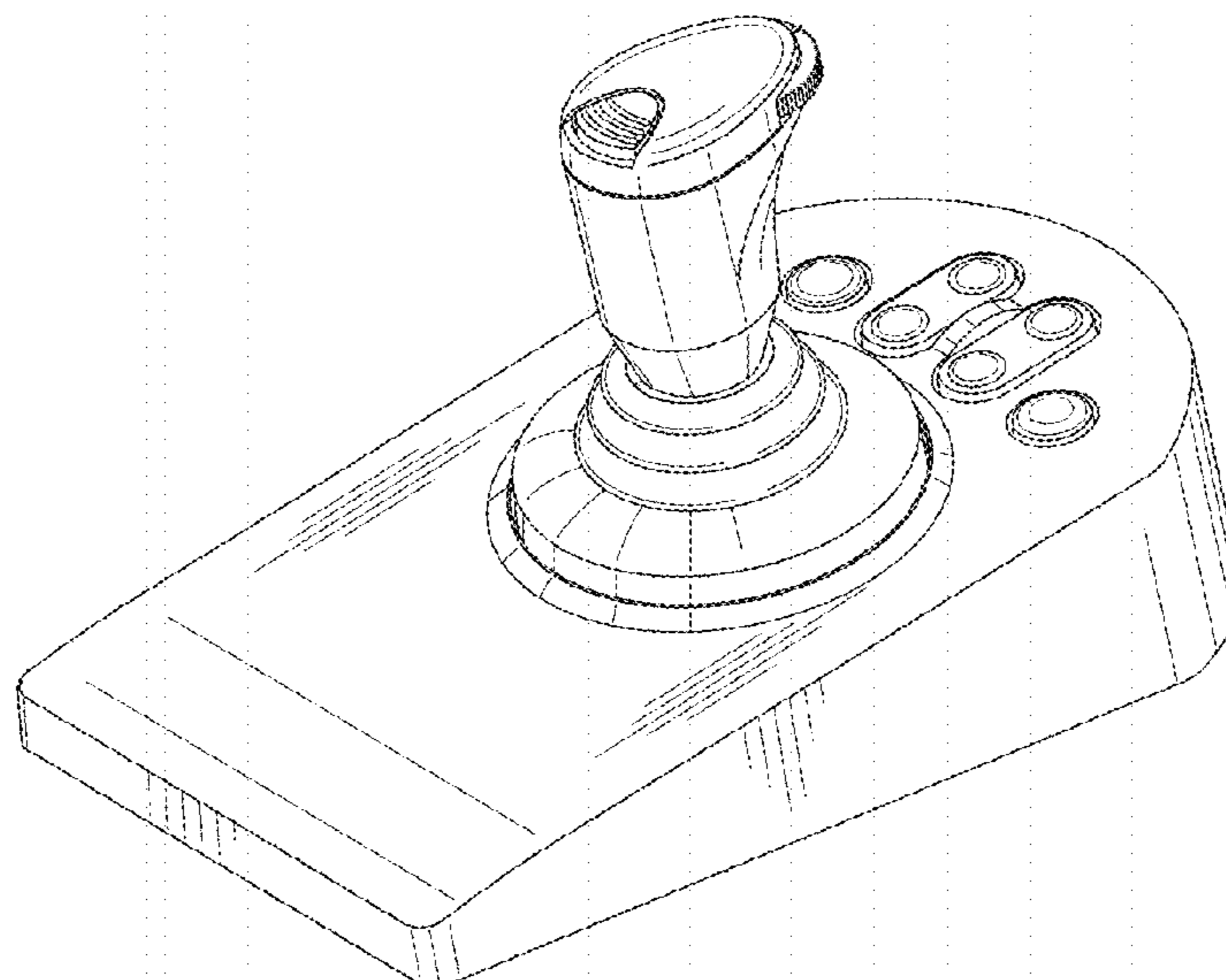
I claim the ornamental design for a controller for a surveillance camera, as shown and described.

DESCRIPTION

FIG. 1 is a front, right, and top perspective view of a controller for a surveillance camera showing the new design; FIG. 2 is a rear, left, and top perspective view thereof; FIG. 3 is a front view thereof; FIG. 4 is a rear view thereof; FIG. 5 is a left side view thereof; FIG. 6 is a right side view thereof; FIG. 7 is a top plan view thereof; and, FIG. 8 is a bottom view thereof.

The broken lines in the drawings illustrate subject matter that forms no part of the claimed design.

**1 Claim, 8 Drawing Sheets**



(56)

**References Cited**

U.S. PATENT DOCUMENTS

D790,545 S \* 6/2017 Dannenberg ..... D14/413  
D884,661 S \* 5/2020 Kim ..... D13/168

\* cited by examiner

FIG. 1

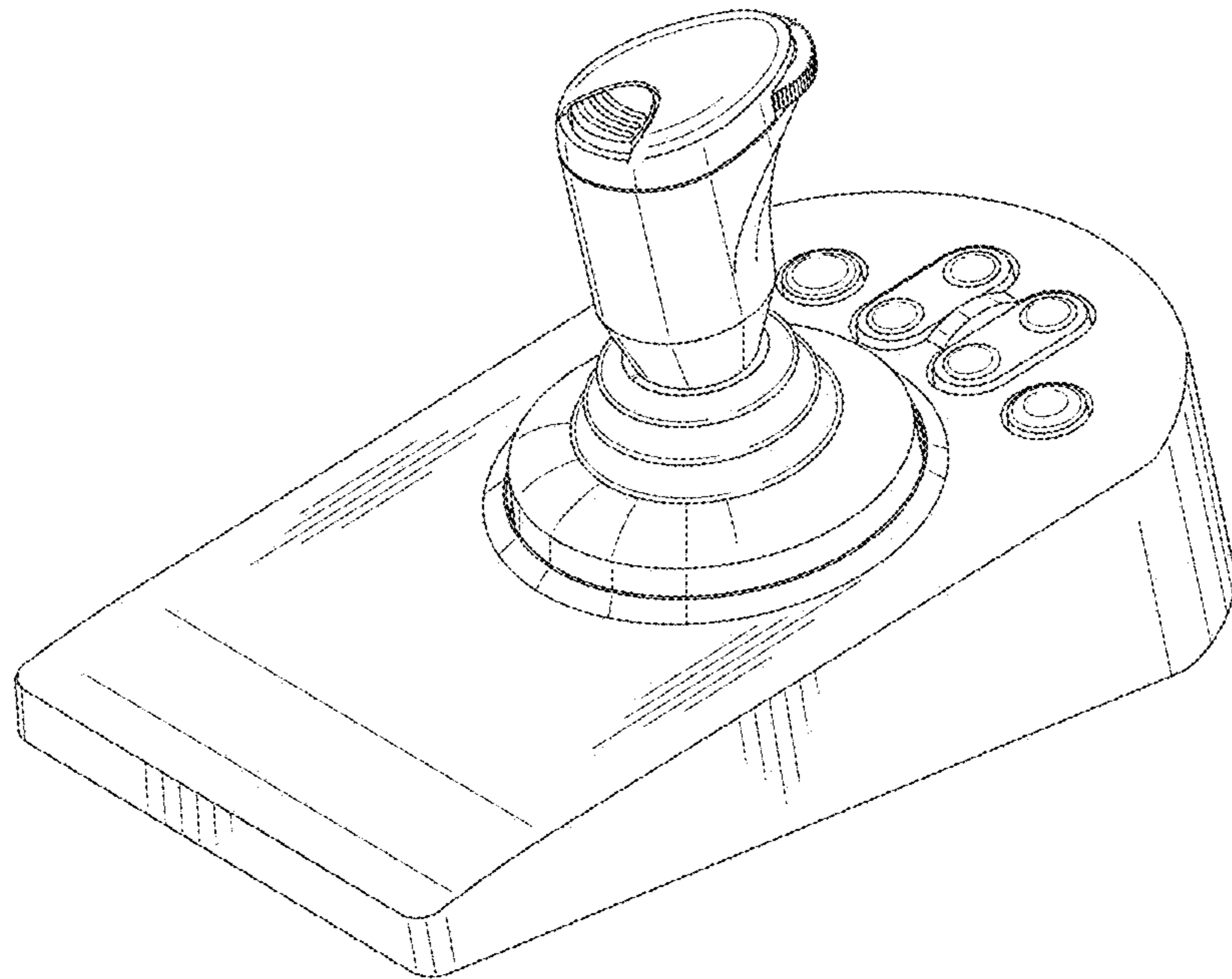


FIG. 2

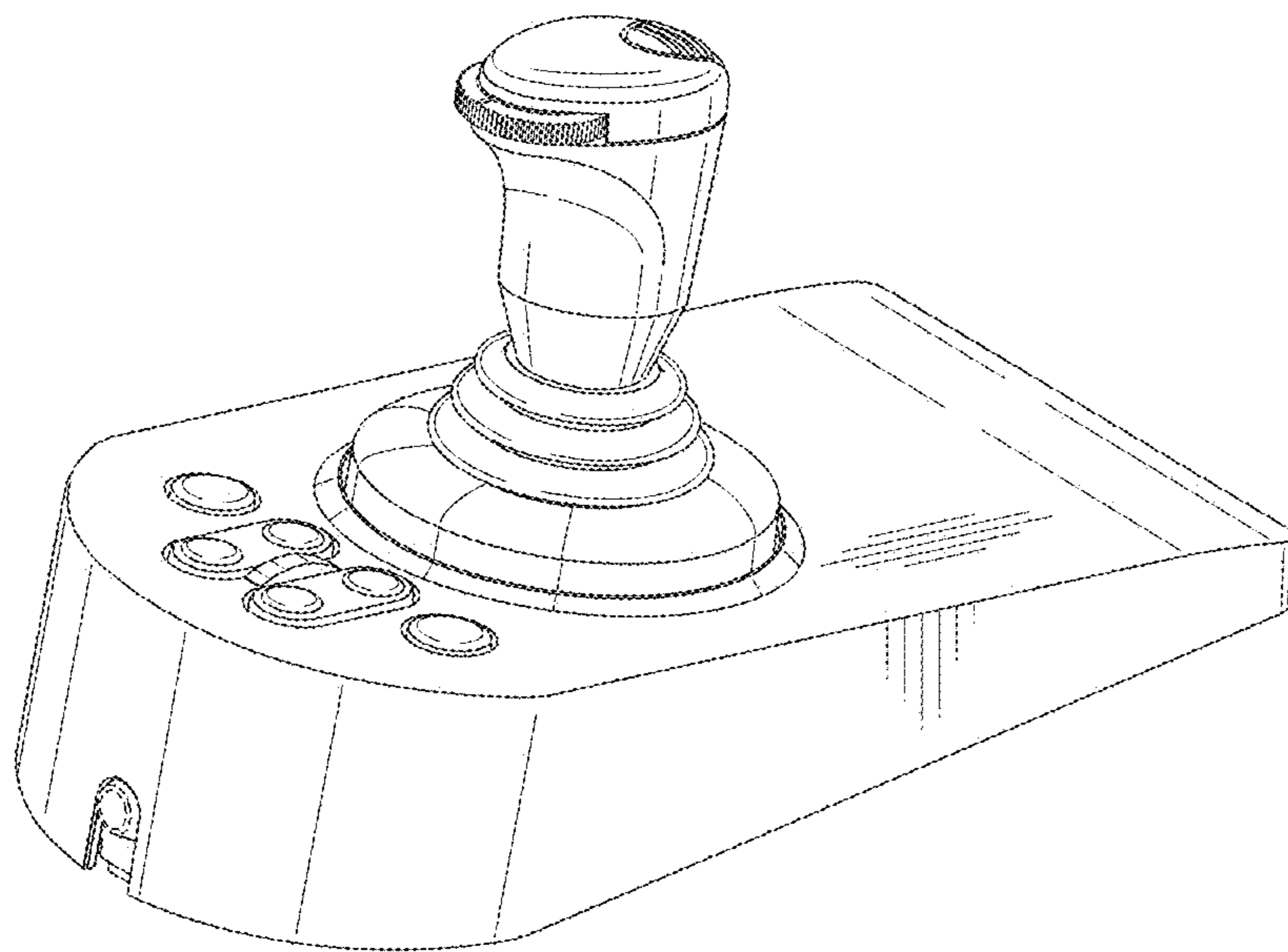


FIG. 3

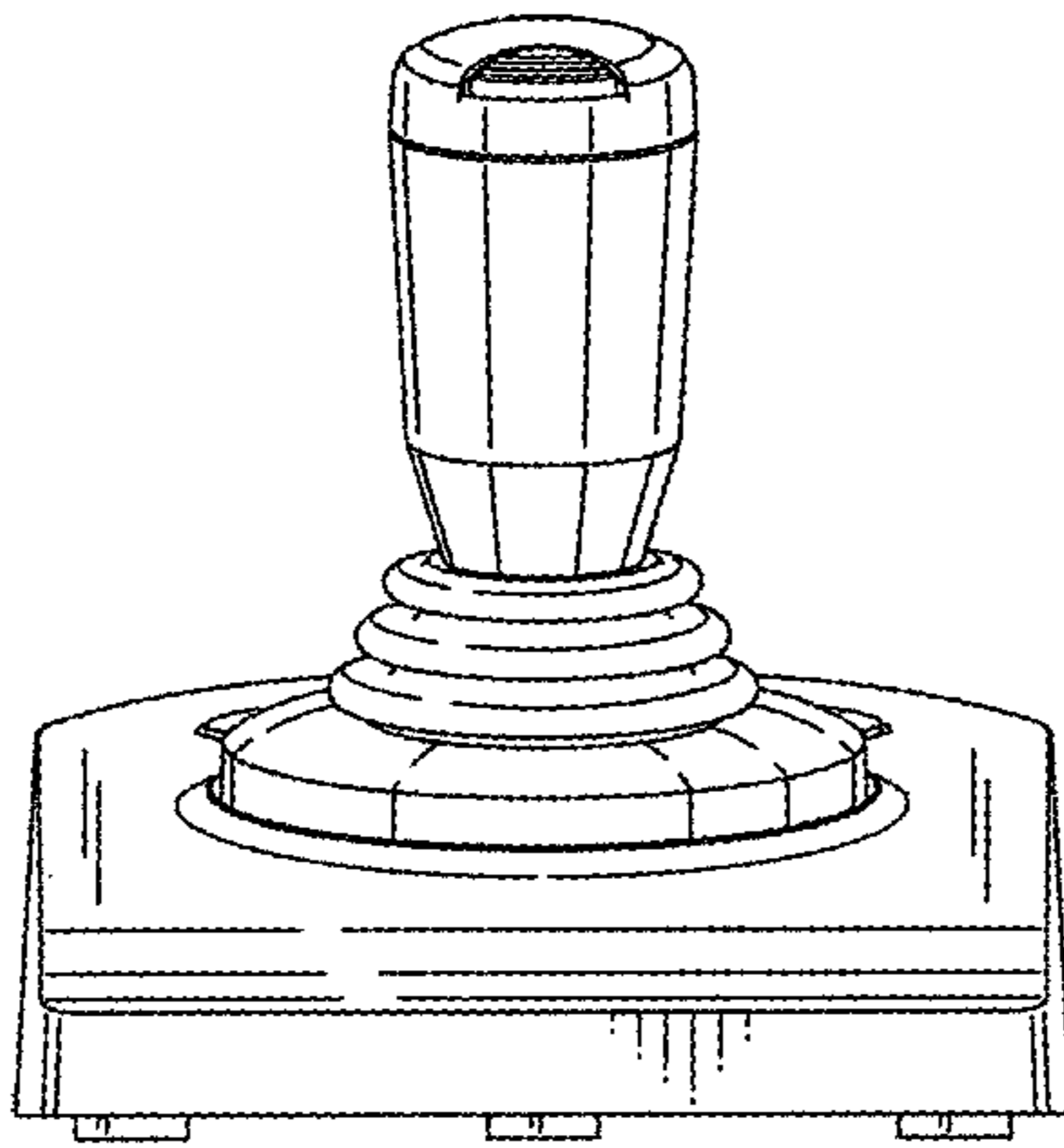


FIG. 4

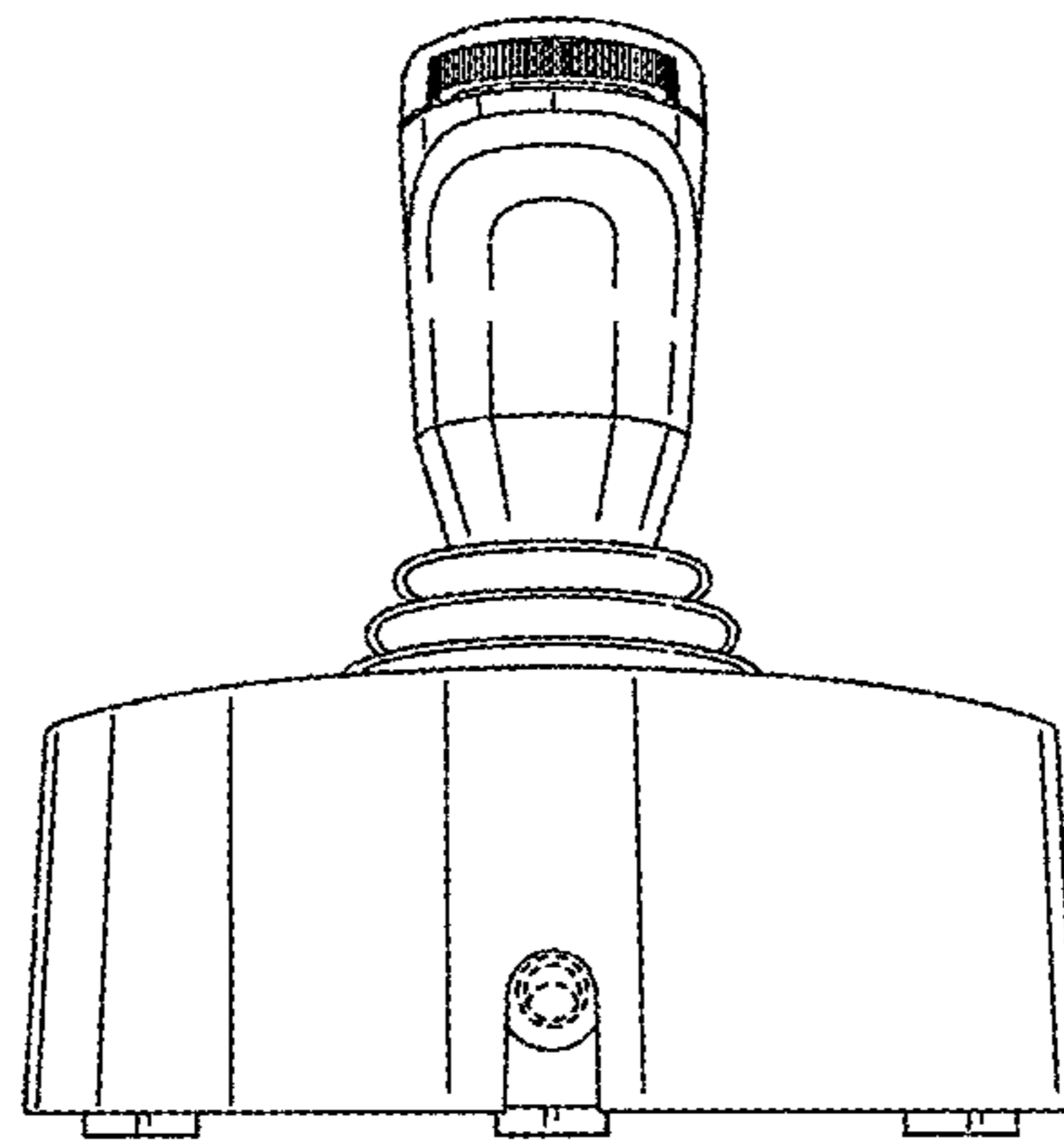


FIG. 5

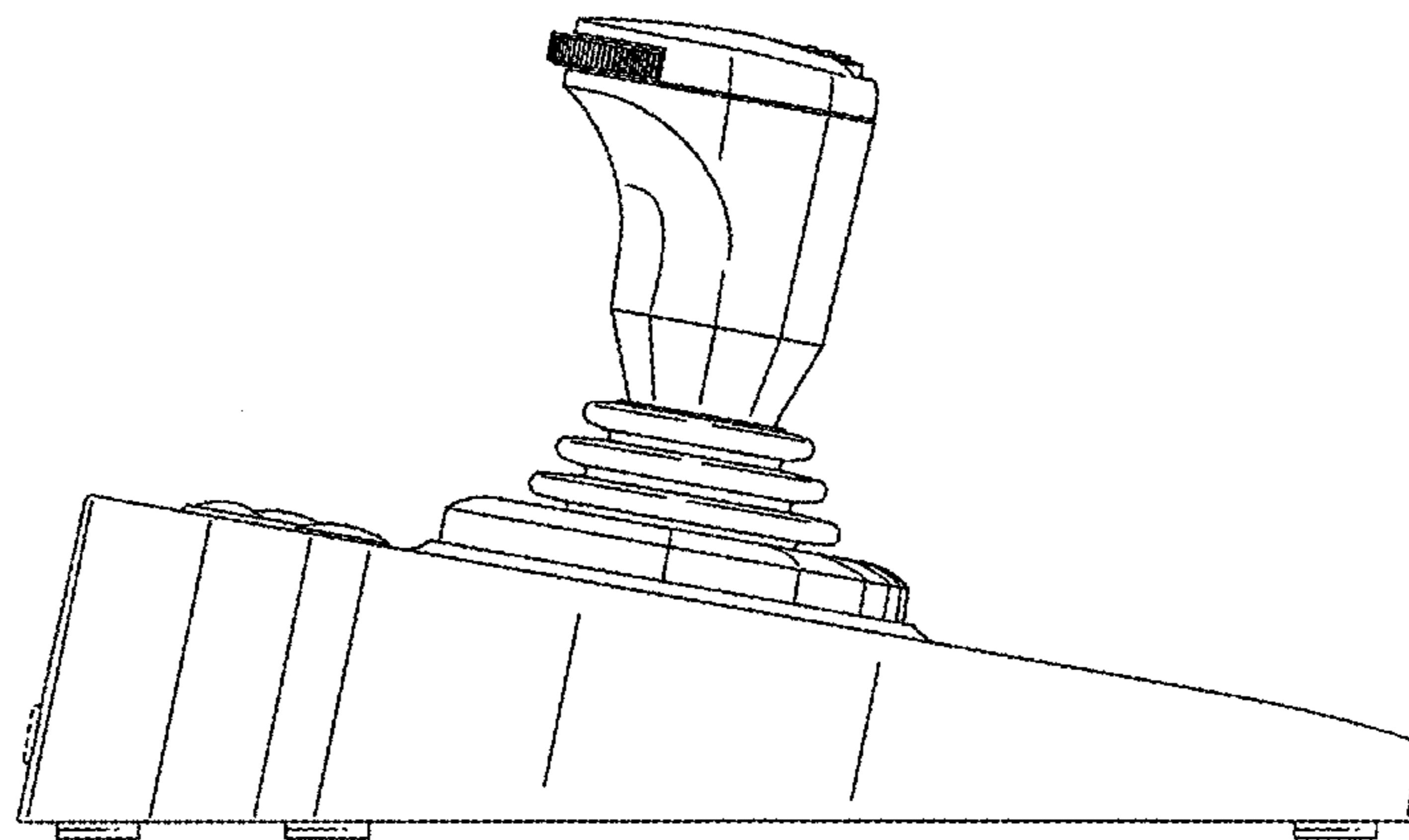


FIG. 6

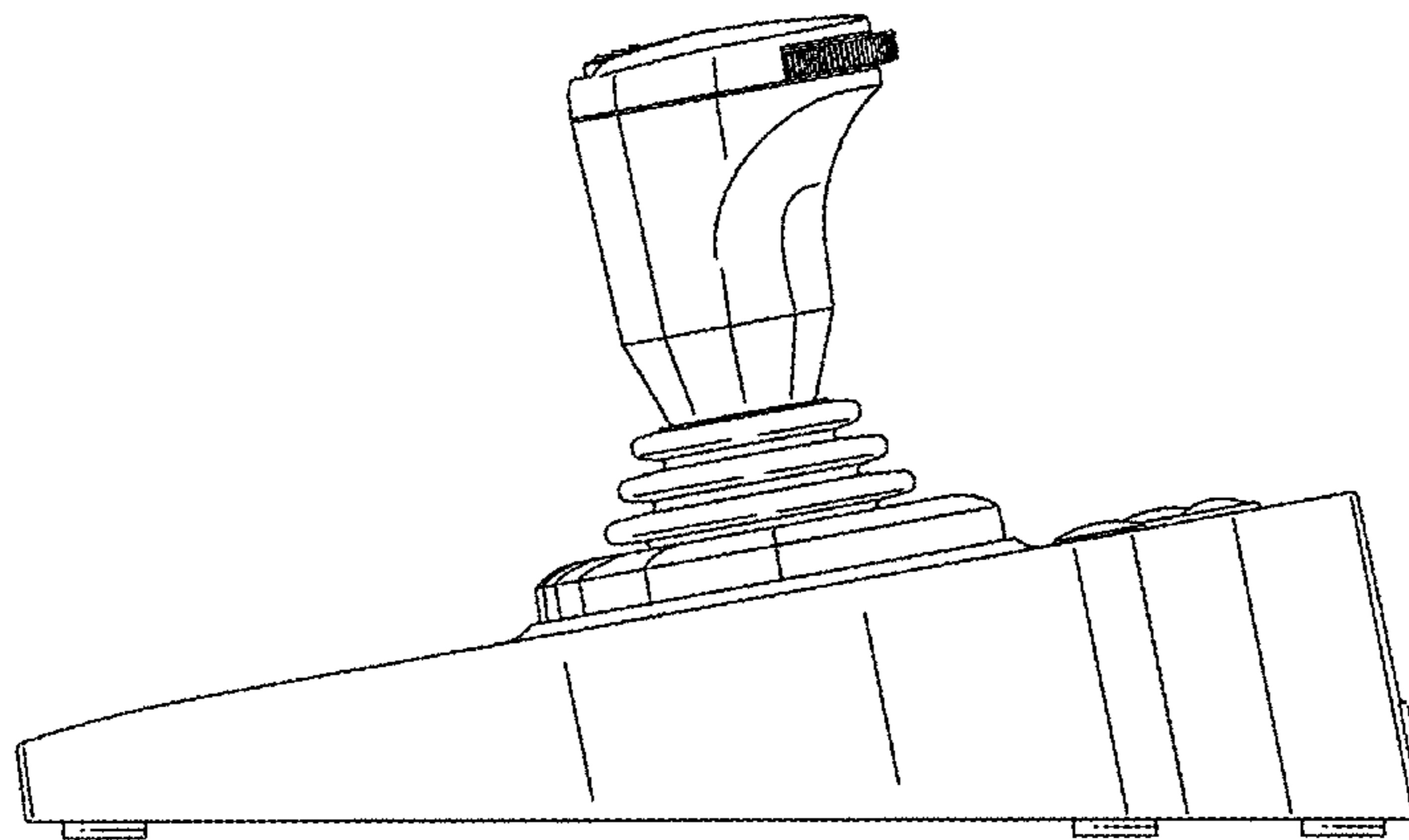




FIG. 7

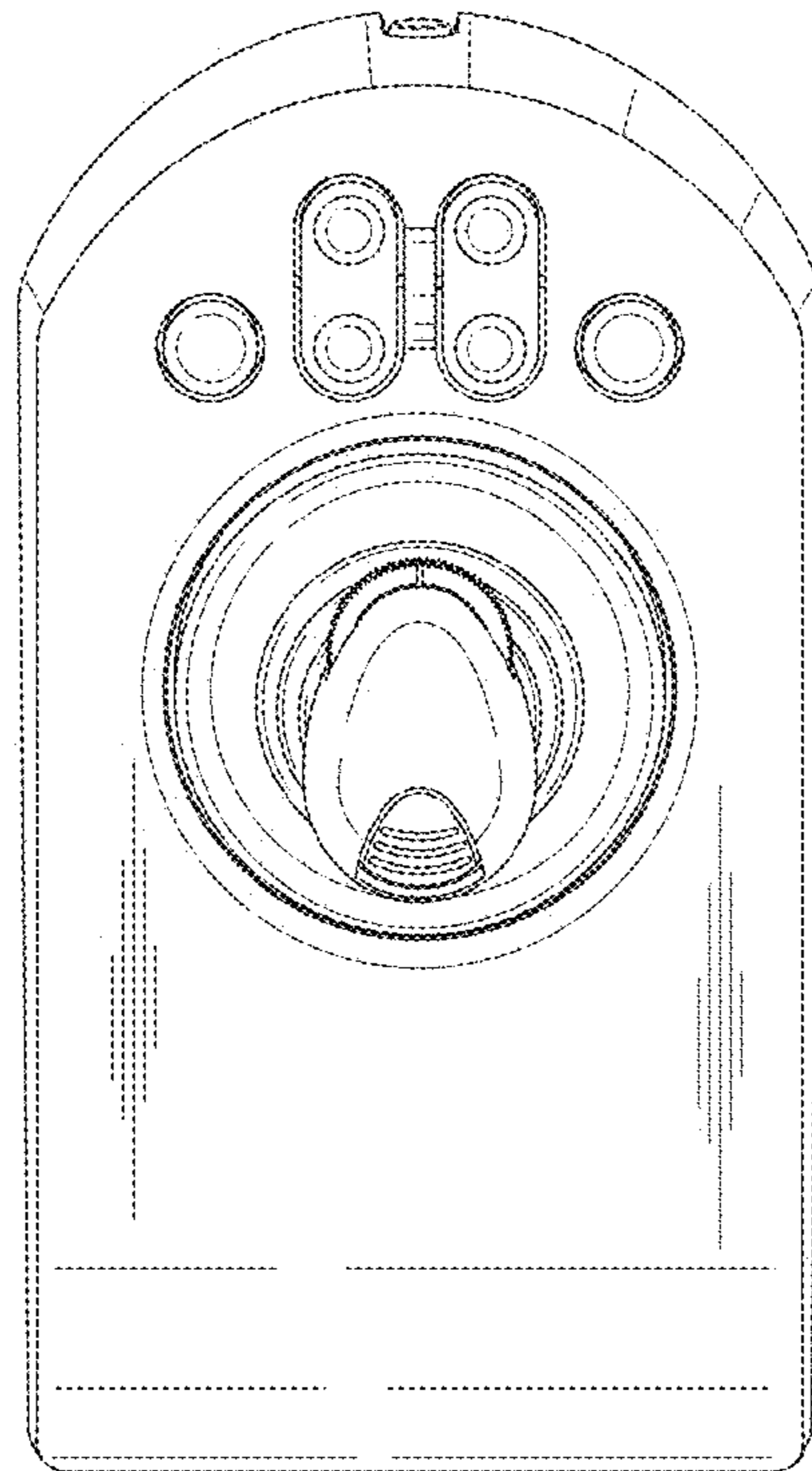


FIG. 8

