



US00D916168S

(12) **United States Design Patent** (10) **Patent No.:** **US D916,168 S**  
**Lin** (45) **Date of Patent:** **\*\* Apr. 13, 2021**

(54) **DUAL LENS MAGNIFIER CAMERA**

(71) Applicant: **Shenzhen city Aobaisen Electronic Technology Co., Ltd., Shenzhen (CN)**

(72) Inventor: **Shaomin Lin, Shenzhen (CN)**

(\*\*) Term: **15 Years**

(21) Appl. No.: **29/707,574**

(22) Filed: **Sep. 30, 2019**

(51) **LOC (13) Cl.** ..... **16-01**

(52) **U.S. Cl.**  
USPC ..... **D16/208; D16/202; D16/135**

(58) **Field of Classification Search**  
USPC ..... D16/130, 134, 136, 200, 202–206, 208, D16/218, 219, 232, 237, 242; D14/138 G, 203.3, 203.4, 250, 345, 440, D14/449; 348/373–376; 396/535, 396/539–541  
CPC ..... G03B 15/03; G03B 17/02; G03B 17/04; G03B 17/56; G03B 19/04; H04N 5/2251; H04N 5/2252; H04N 5/2253; H04N 5/2254; H04N 2101/00  
See application file for complete search history.

(56) **References Cited**

**U.S. PATENT DOCUMENTS**

D497,914 S	*	11/2004	Adachi	.....	D14/423
D580,962 S	*	11/2008	Sukenari	.....	D14/423
D614,220 S	*	4/2010	Goldenberg	.....	D16/200
D624,107 S	*	9/2010	Goldenberg	.....	D16/211
D631,077 S	*	1/2011	Kawase	.....	D16/202
D636,423 S	*	4/2011	Ogino	.....	D16/202
D643,451 S	*	8/2011	Supiot	.....	D16/135

D678,383 S	*	3/2013	Park	.....	D16/232
D709,937 S	*	7/2014	Goldenberg	.....	D16/211
D829,804 S	*	10/2018	Goldenberg	.....	D16/208
2012/0169913 A1	*	7/2012	Ogino	.....	H04N 5/232 348/333.06

\* cited by examiner

*Primary Examiner* — Ramzi S Almatrahi

(74) *Attorney, Agent, or Firm* — HYIP

(57) **CLAIM**

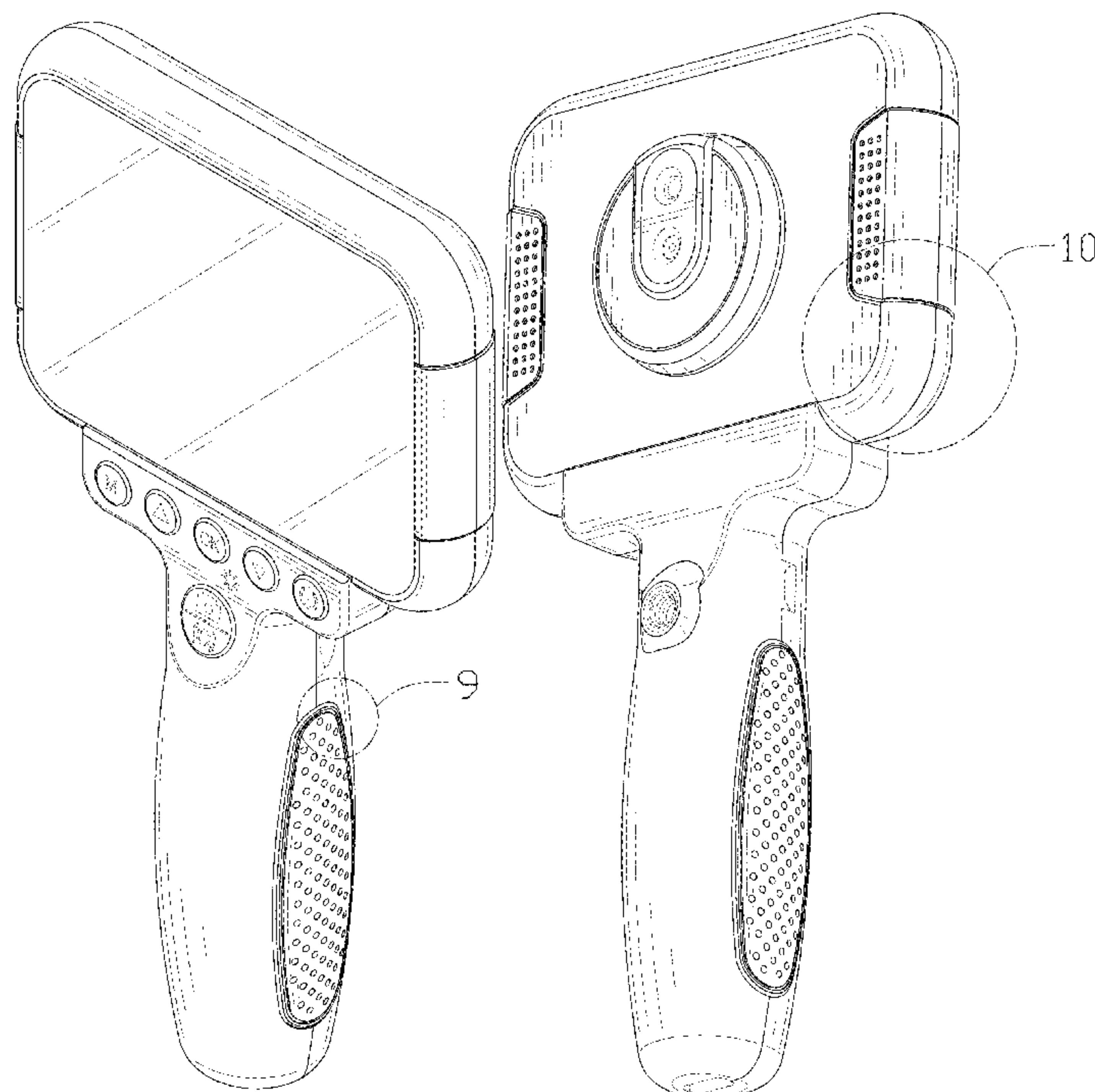
The ornamental design for a dual lens magnifier camera, as shown and described.

**DESCRIPTION**

FIG. 1 is a top, front and right side perspective view of a dual lens magnifier camera showing my new design;  
FIG. 2 is a bottom, back and left side perspective view thereof;  
FIG. 3 is a front view thereof;  
FIG. 4 is a back view thereof;  
FIG. 5 is a left side view thereof;  
FIG. 6 is a right side view thereof;  
FIG. 7 is a top view thereof;  
FIG. 8 is a bottom view thereof;  
FIG. 9 is an enlarged view of the encircled portion in FIG. 1; and,  
FIG. 10 is an enlarged view of the encircled portion in FIG. 2.

The broken lines depict portions of the dual lens magnifier camera in which the design is embodied that form no part of the claimed design. Additionally, the dot-dash broken lines encircling an enlargement portion of the design forms no part of the claimed design.

**1 Claim, 10 Drawing Sheets**



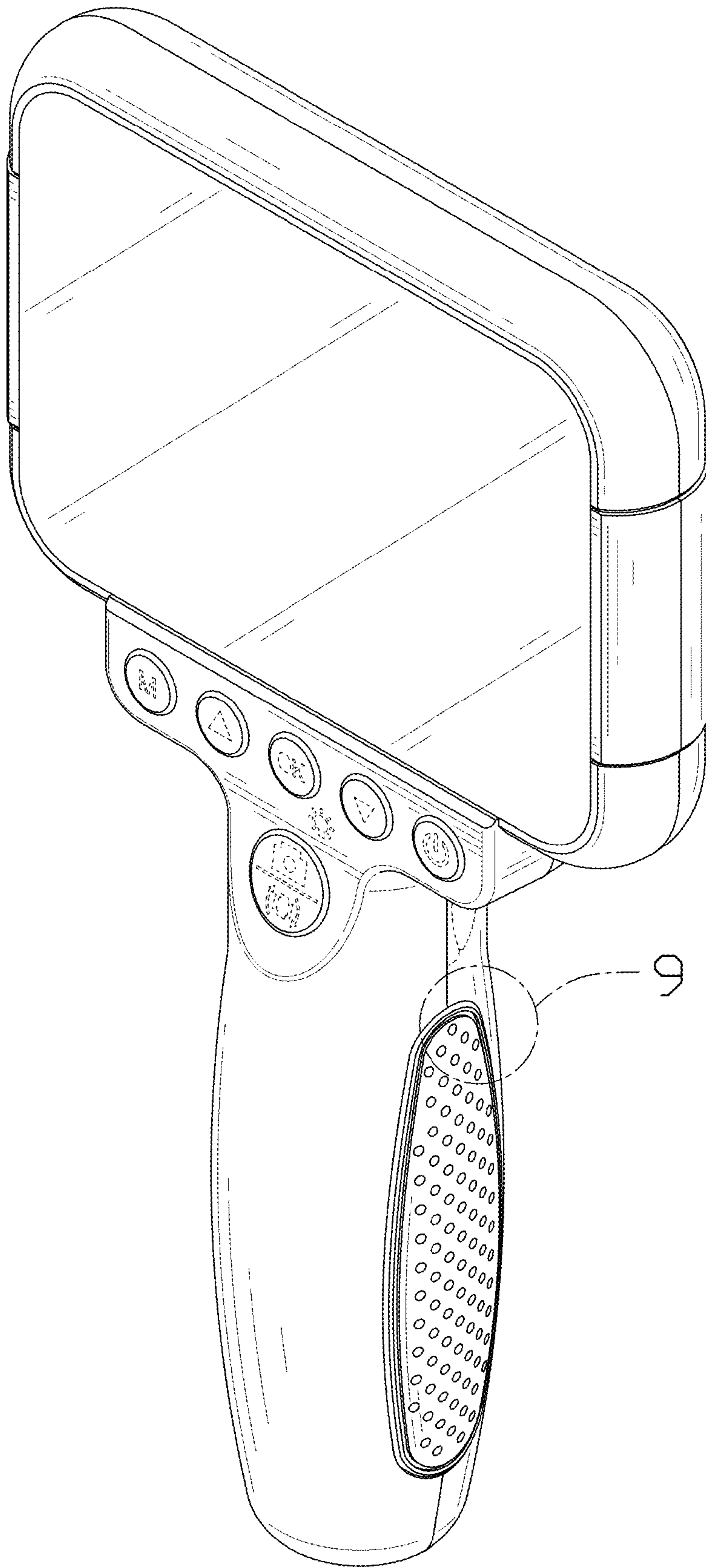


FIG. 1

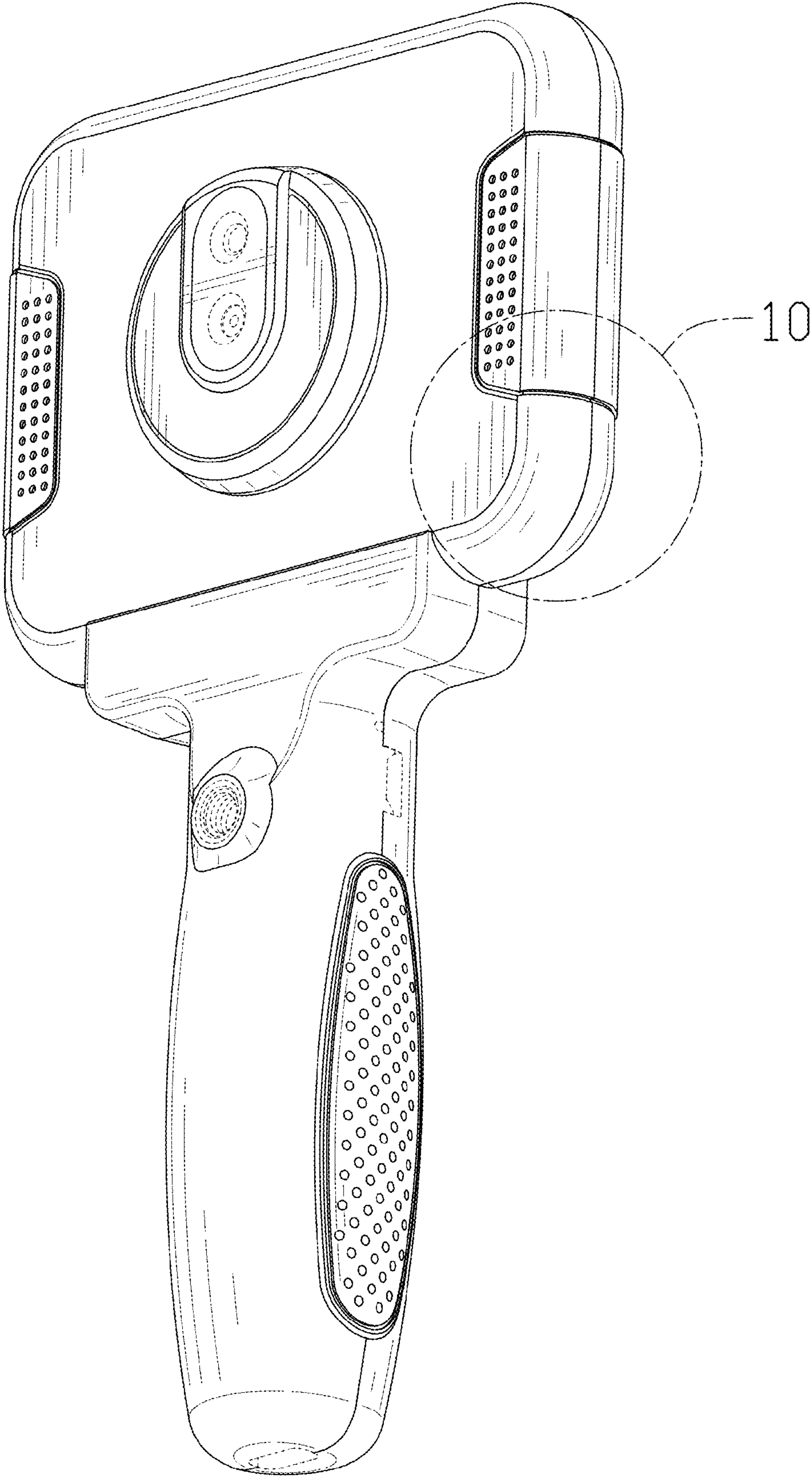


FIG. 2



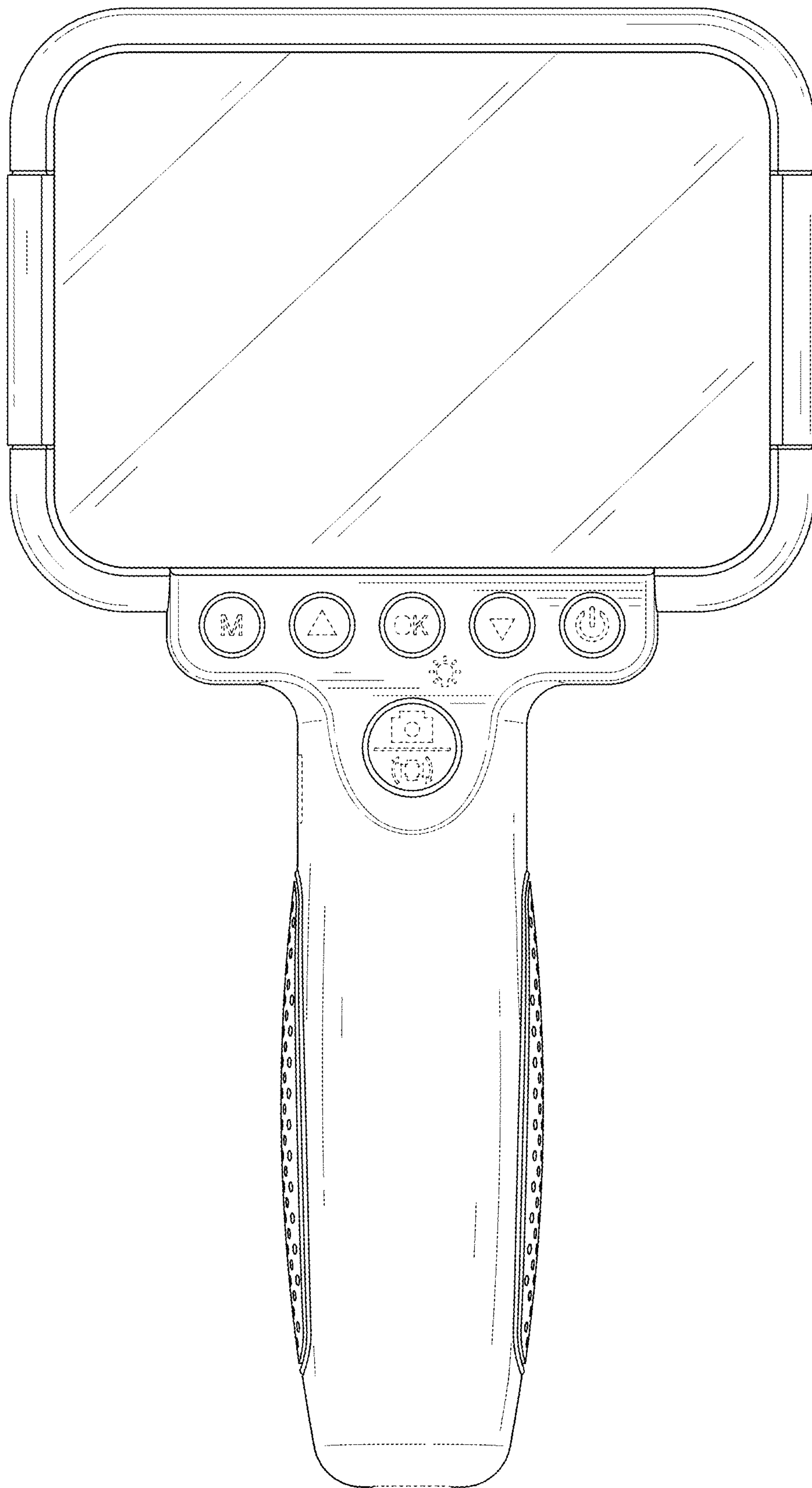


FIG. 3

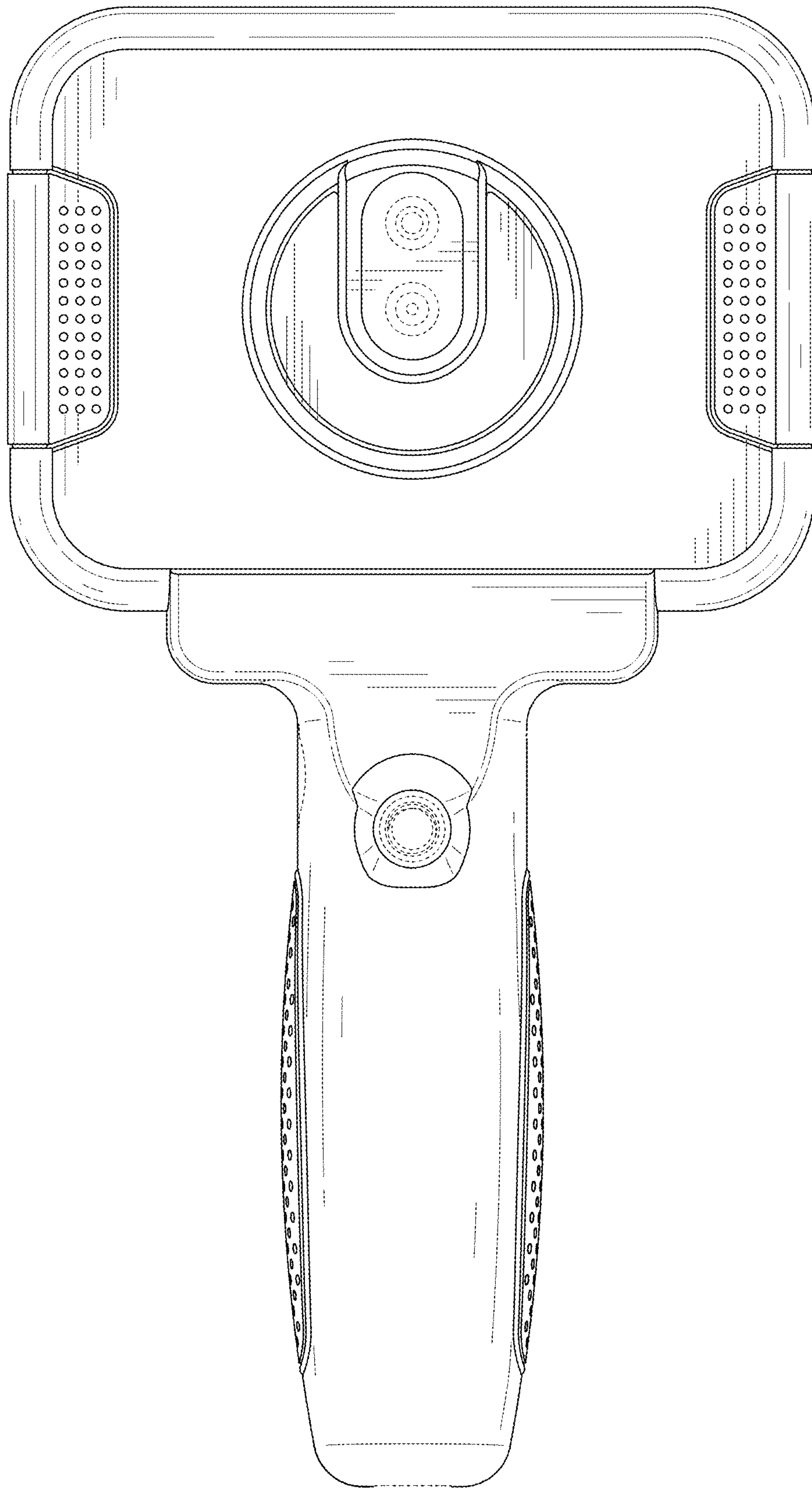


FIG. 4

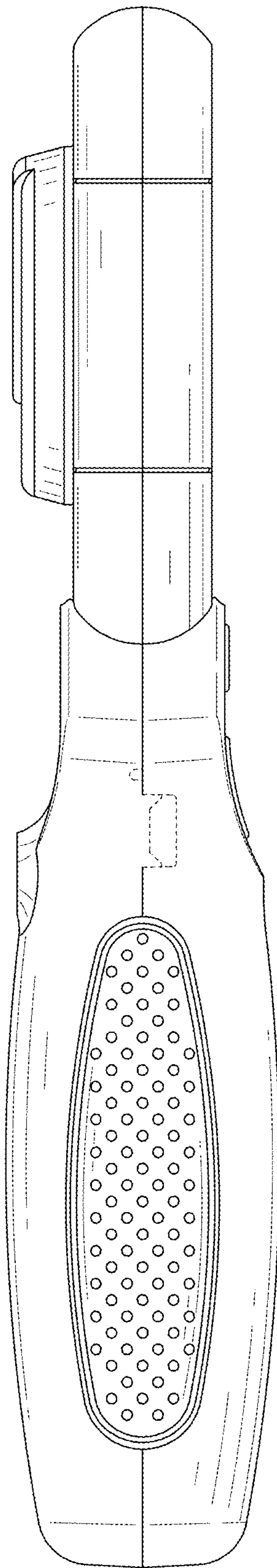


FIG. 5

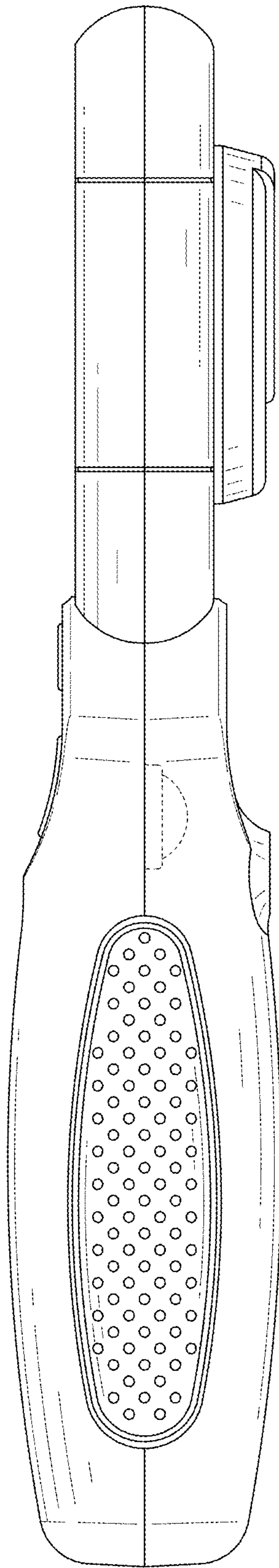


FIG. 6

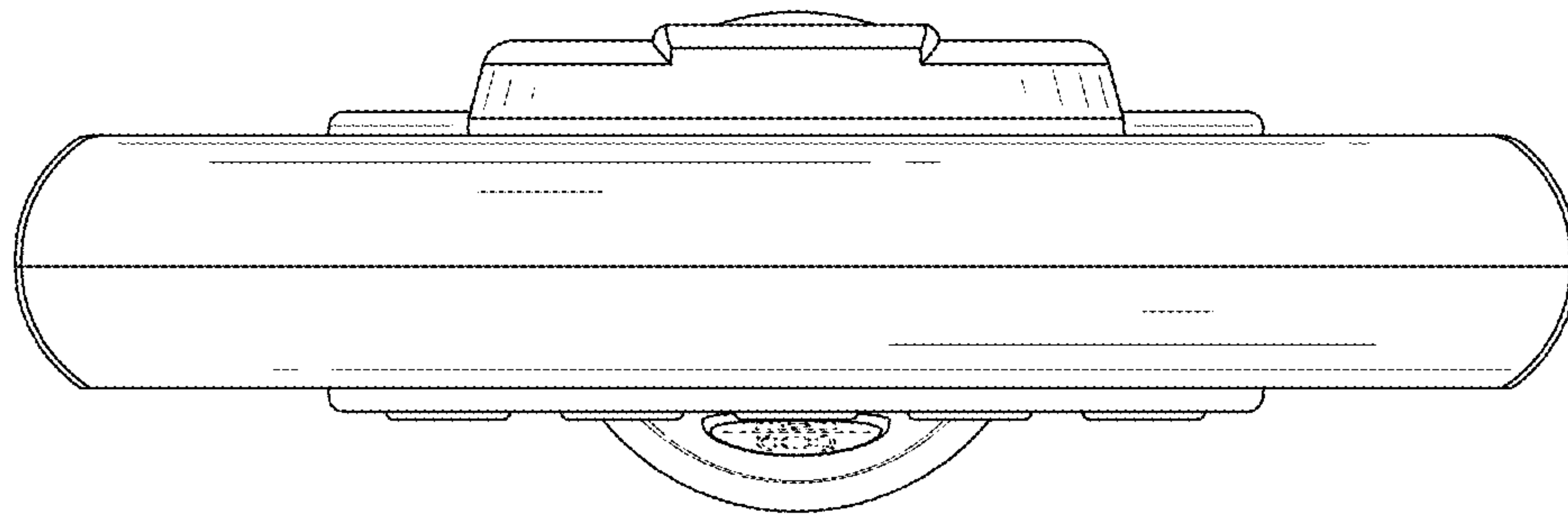


FIG. 7



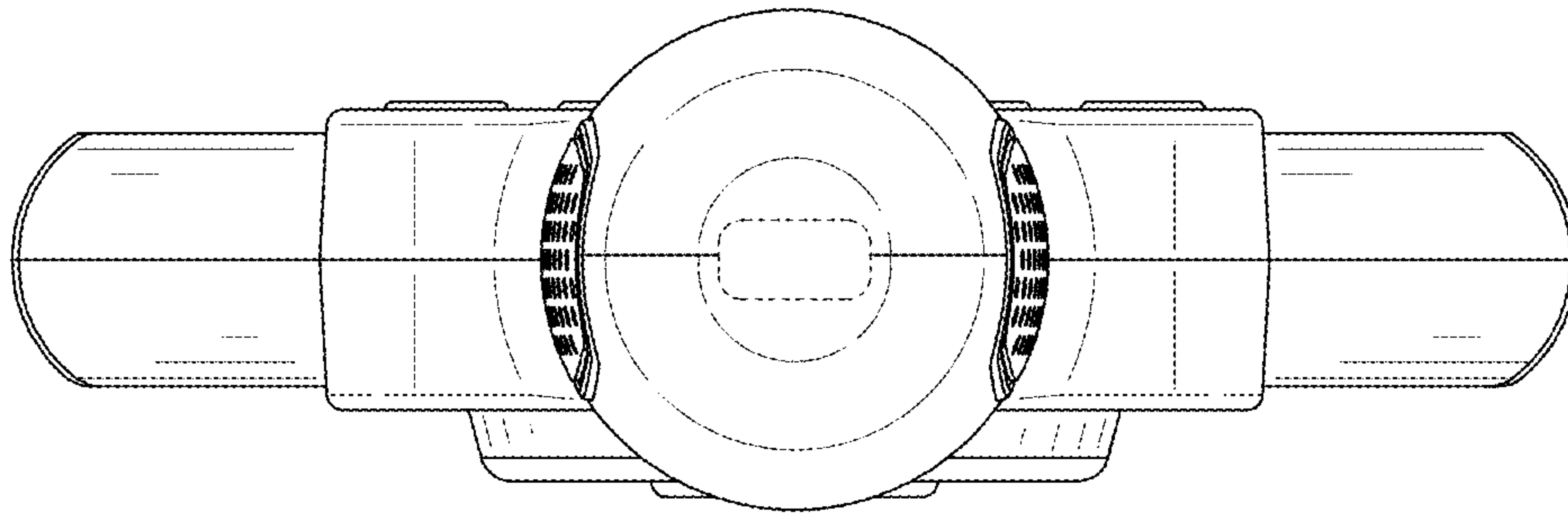


FIG. 8

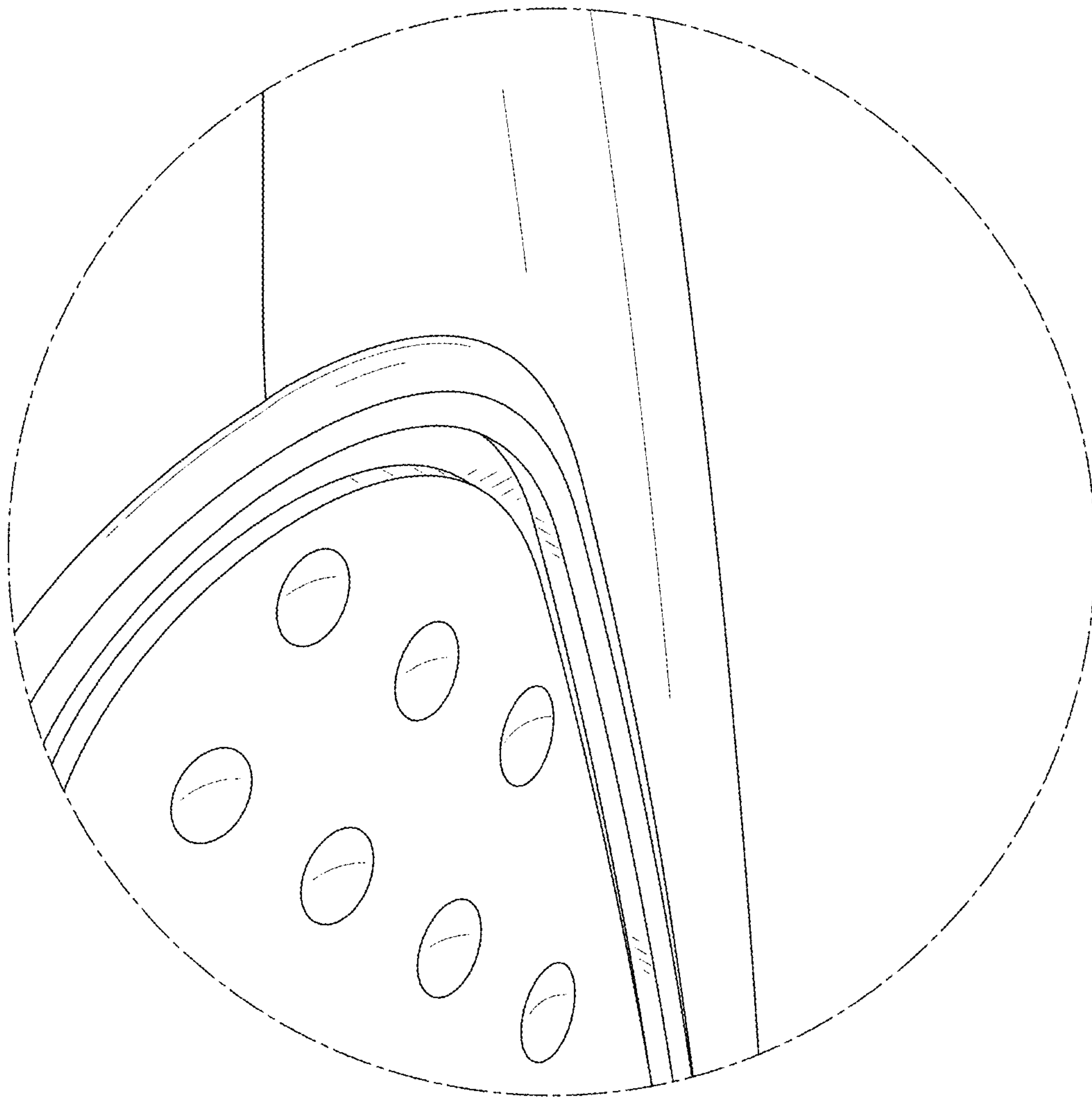


FIG. 9

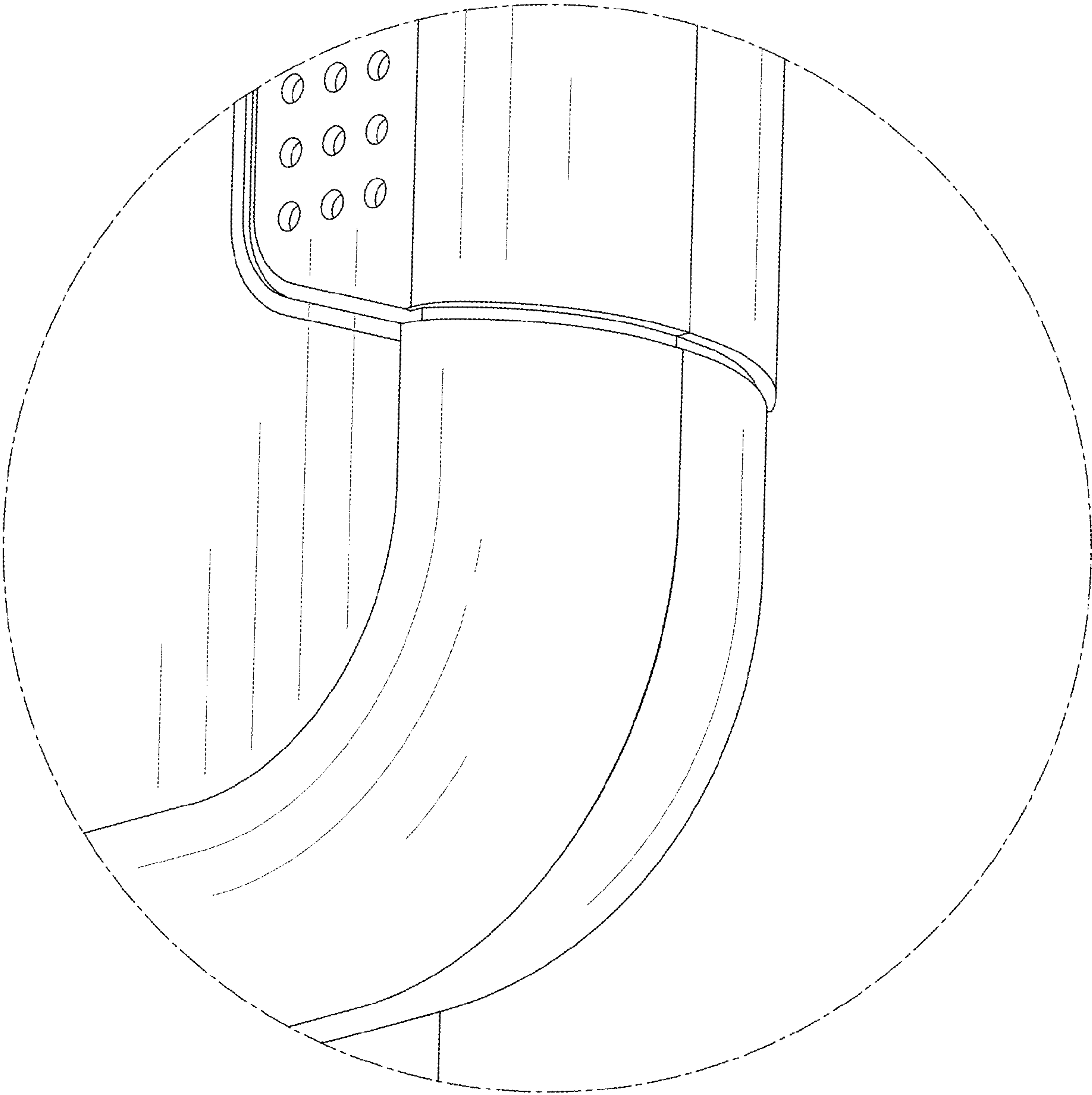


FIG. 10