



US00D916167S

(12) **United States Design Patent**
Hu et al.

(10) **Patent No.:** **US D916,167 S**
(45) **Date of Patent:** **** Apr. 13, 2021**

(54) **CAMERA**

(71) Applicant: **SZ DJI Osmo Technology Co., Ltd.**,
Shenzhen (CN)

(72) Inventors: **Dengfeng Hu**, Shenzhen (CN); **Yifen Liu**, Shenzhen (CN)

(73) Assignee: **SZ DJI Osmo Technology Co., Ltd.**,
Shenzhen (CN)

(**) Term: **15 Years**

(21) Appl. No.: **29/711,900**

(22) Filed: **Nov. 4, 2019**

Related U.S. Application Data

(63) Continuation of application No. 29/655,576, filed on Jul. 5, 2018, now Pat. No. Des. 868,138, which is a continuation of application No. 29/612,340, filed on Jul. 31, 2017, now Pat. No. Des. 852,865.

(51) **LOC (13) Cl.** **16-01**

(52) **U.S. Cl.**
USPC **D16/206**

(58) **Field of Classification Search**
USPC D10/50, 65, 74, 104.1; D12/16.1, 19, D12/322, 323, 326, 327, 328; D16/134, D16/136, 200, 202, 204–206, 208, 209, D16/211, 213, 219, 237, 242; D26/36, D26/37, 39, 46, 104; D29/104
CPC G03B 17/00; G03B 17/14; G03B 15/03; B03B 9/08; H04N 5/232; H04N 5/2252; H04N 5/2253; H04N 5/2254
See application file for complete search history.

(56) **References Cited**

U.S. PATENT DOCUMENTS

D440,585 S 4/2001 Kahn et al.
D441,384 S 5/2001 Bodnar et al.

D520,044 S 5/2006 Chung et al.
D542,684 S 5/2007 Nama
D543,175 S 5/2007 Park et al.
D649,175 S 11/2011 Willis
D676,074 S 2/2013 Konishi et al.
D694,802 S 12/2013 Coyle et al.
D705,844 S 5/2014 Bart et al.
D728,654 S 5/2015 Lee
D730,966 S 6/2015 Liu
D731,579 S 6/2015 Bart et al.
D732,601 S 6/2015 Coyle
D738,951 S 9/2015 Coyle
D741,931 S 10/2015 Huang et al.
D771,733 S 11/2016 Wang et al.
D776,739 S 1/2017 Urashima
D783,079 S 4/2017 Lee et al.
D784,997 S 4/2017 Cheng et al.
D785,073 S 4/2017 Wang et al.

(Continued)

Primary Examiner — Michael C Stout

Assistant Examiner — Fritzgerald L Butac

(74) *Attorney, Agent, or Firm* — Sterne, Kessler, Goldstein & Fox P.L.L.C.

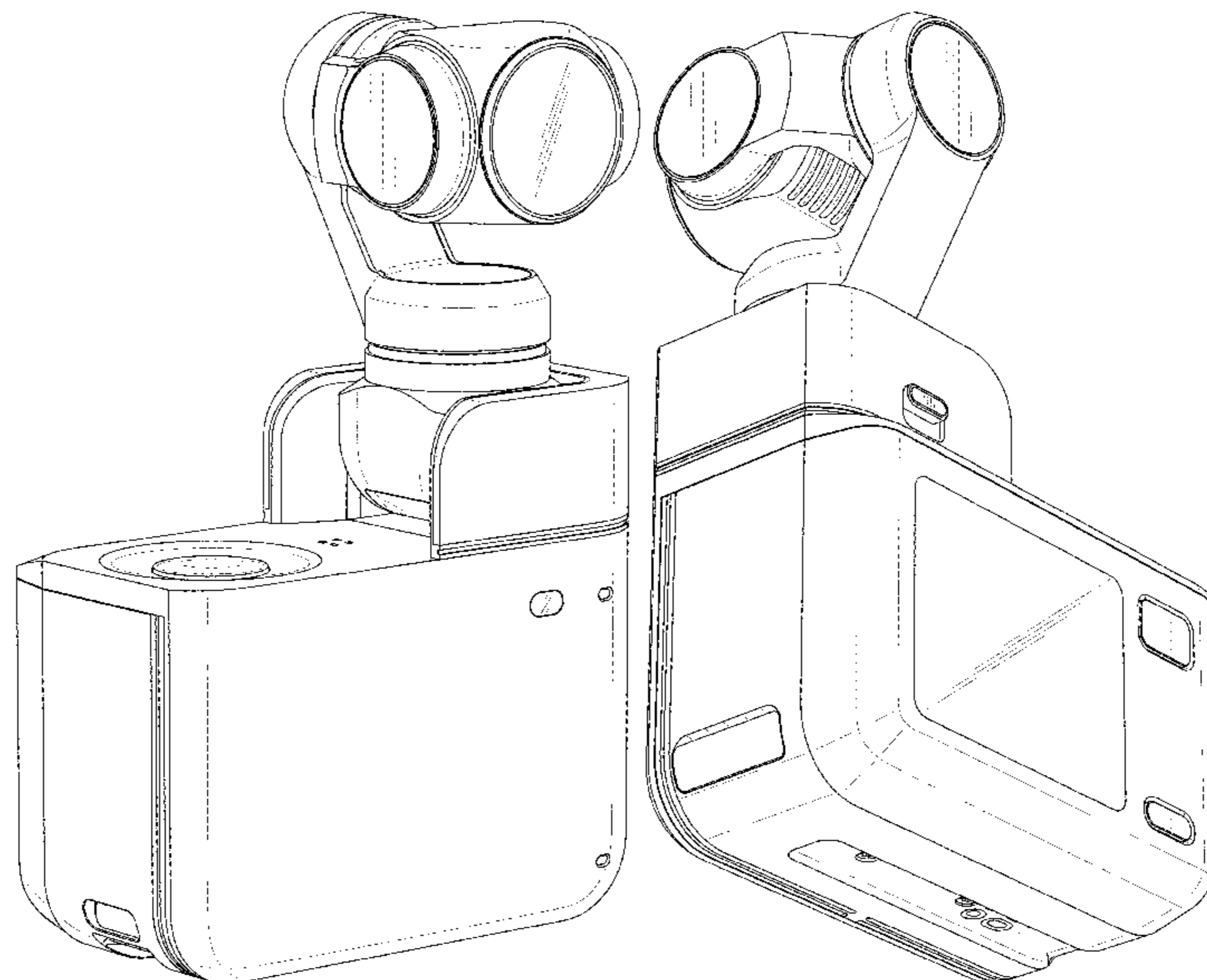
(57) **CLAIM**

The ornamental design for a camera, as shown and described.

DESCRIPTION

FIG. 1 is a top front perspective view of a camera showing the claimed design;
FIG. 2 is a bottom rear perspective view thereof;
FIG. 3 is a front view thereof;
FIG. 4 is a rear view thereof;
FIG. 5 is a left side view thereof;
FIG. 6 is a right side view thereof;
FIG. 7 is a top view thereof; and,
FIG. 8 is a bottom view thereof.
The broken lines in the figures show portions of the camera that form no part of the claimed design.

1 Claim, 8 Drawing Sheets



(56)

References Cited

U.S. PATENT DOCUMENTS

D786,329	S	5/2017	Kamei	
D790,000	S	6/2017	Wang et al.	
D791,216	S	7/2017	Wang	
D791,217	S	7/2017	Wang	
D794,606	S	8/2017	Zheng et al.	
D794,696	S	8/2017	Nguyen et al.	
D795,946	S	8/2017	Kim et al.	
9,749,544	B2	8/2017	Wang	
D796,482	S	9/2017	Zheng et al.	
D799,447	S *	10/2017	Zheng	D14/217
D799,448	S *	10/2017	Zheng	D14/217
D803,925	S	11/2017	Hoshi et al.	
D804,560	S	12/2017	Costa et al.	
D805,117	S	12/2017	Nguyen et al.	
D810,171	S *	2/2018	Kim	D16/206
D810,806	S *	2/2018	Kim	D16/206
D813,924	S	3/2018	Zheng	
D814,545	S *	4/2018	Kim	D16/206
D815,180	S *	4/2018	Kim	D16/206
D824,882	S *	8/2018	Zheng	D14/217
D827,698	S	9/2018	Zhang	
D836,699	S *	12/2018	Kim	D16/206
D854,069	S *	7/2019	Wang	D16/202
D866,635	S *	11/2019	Zhong	D16/203
D867,421	S *	11/2019	Morishita	D16/202
D874,532	S *	2/2020	Chen	D16/202
D874,539	S *	2/2020	Wang	D16/206
2016/0171330	A1	6/2016	Mentese et al.	
2018/0346148	A1	12/2018	Zhang	
2018/0364548	A1	12/2018	Peng	
2018/0373127	A1	12/2018	Peng et al.	
2019/0339595	A1 *	11/2019	Liu	H04N 5/2251

* cited by examiner

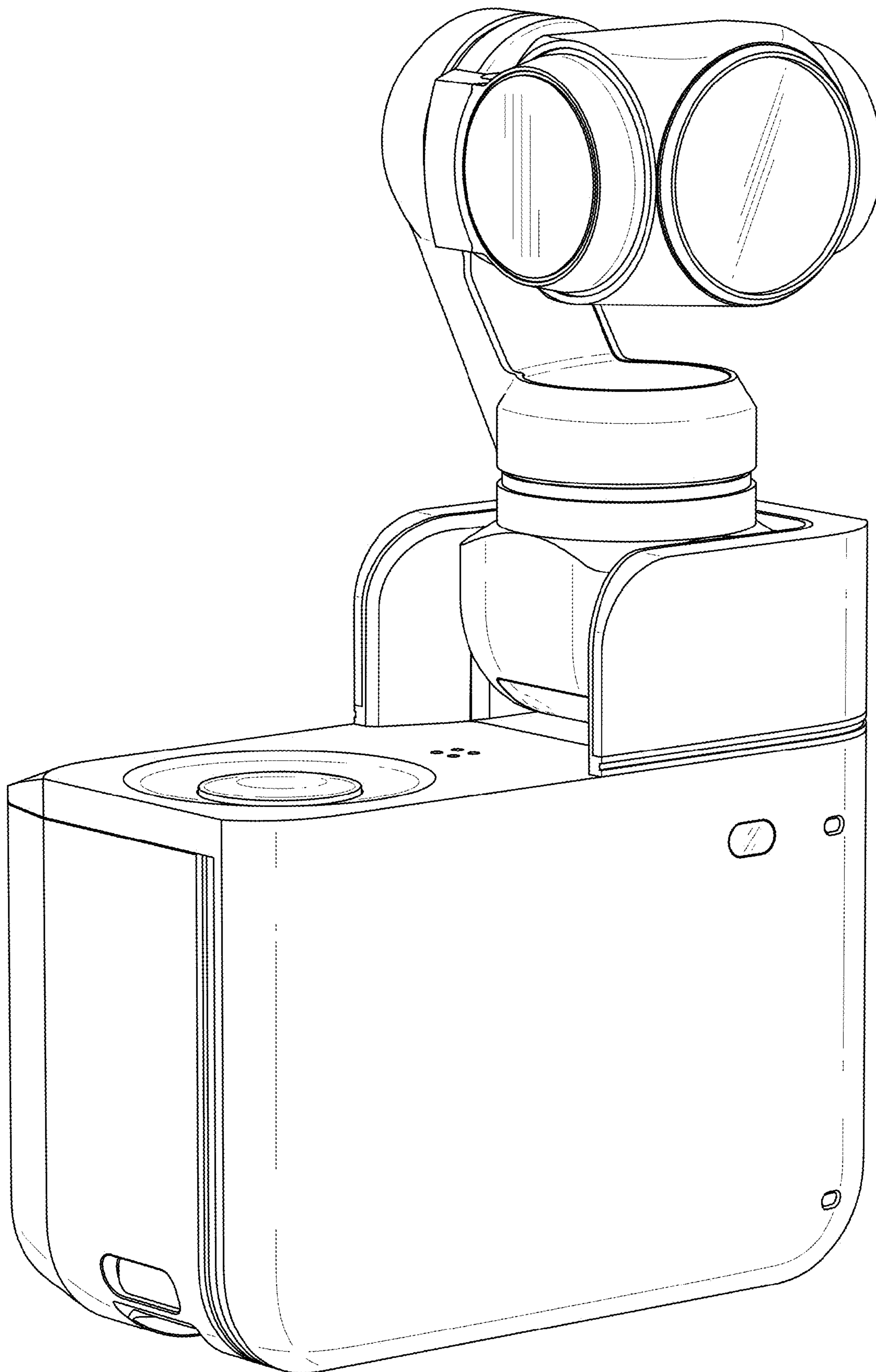


FIG. 1

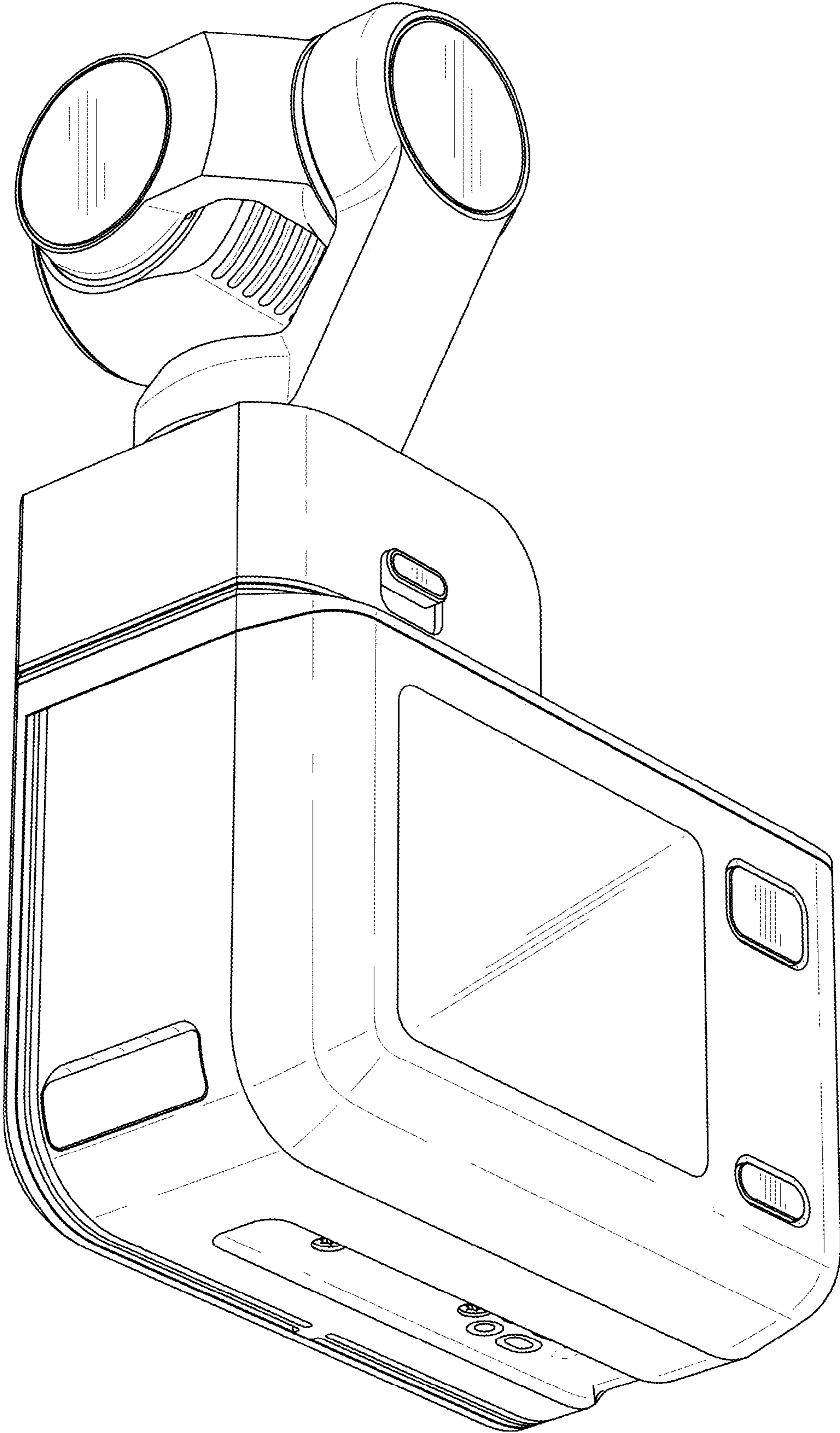


FIG. 2

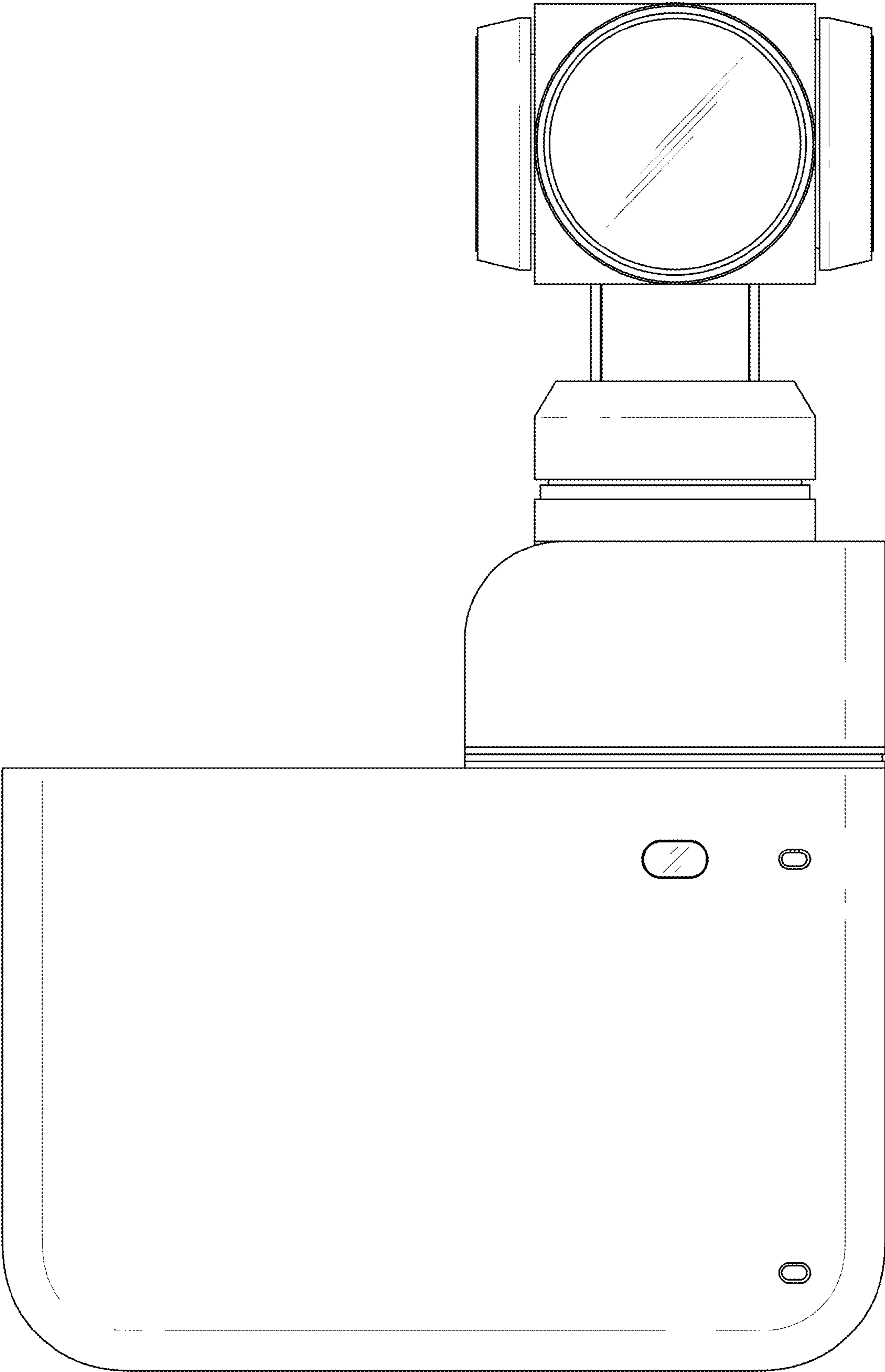


FIG. 3

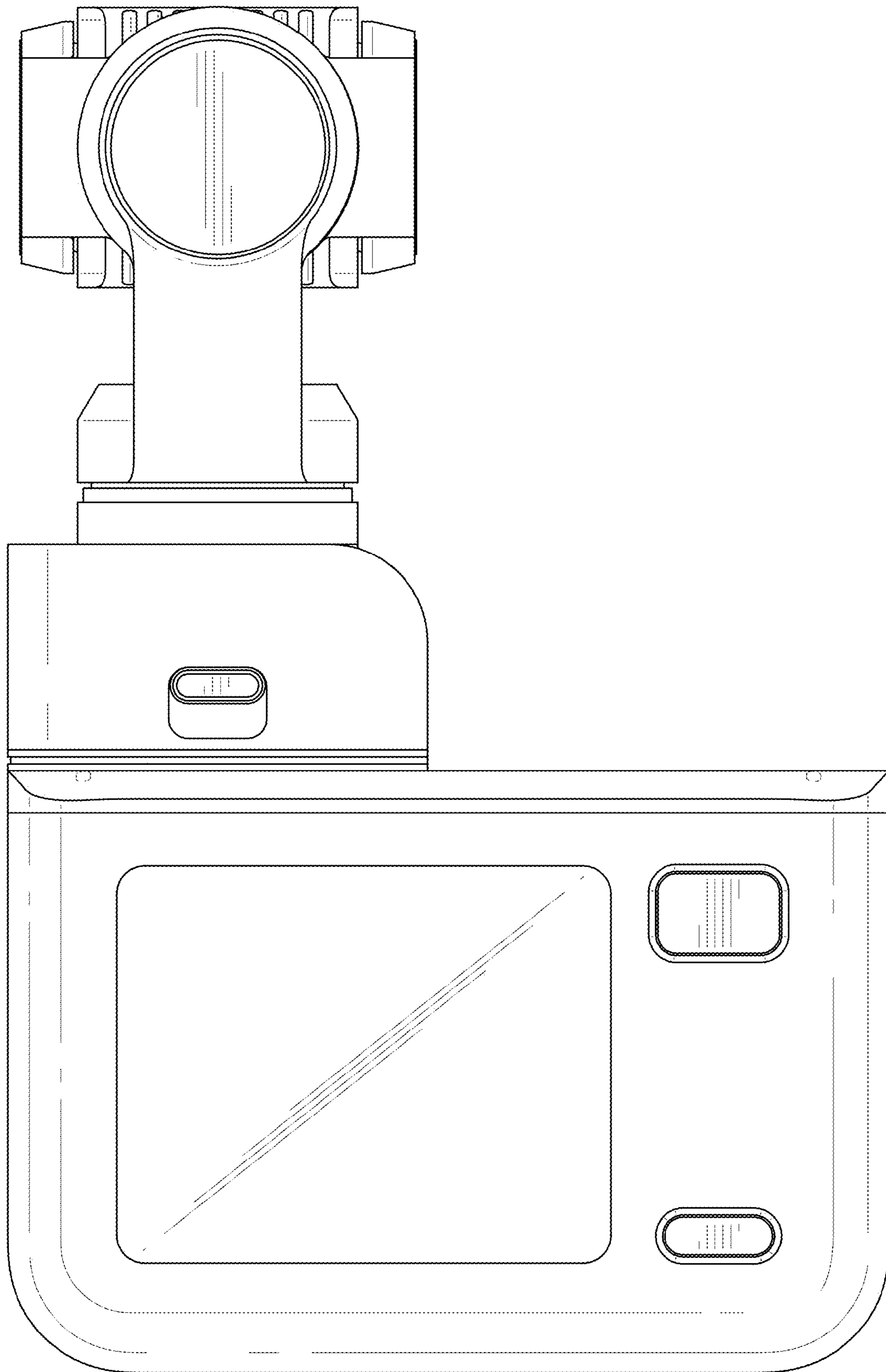


FIG. 4

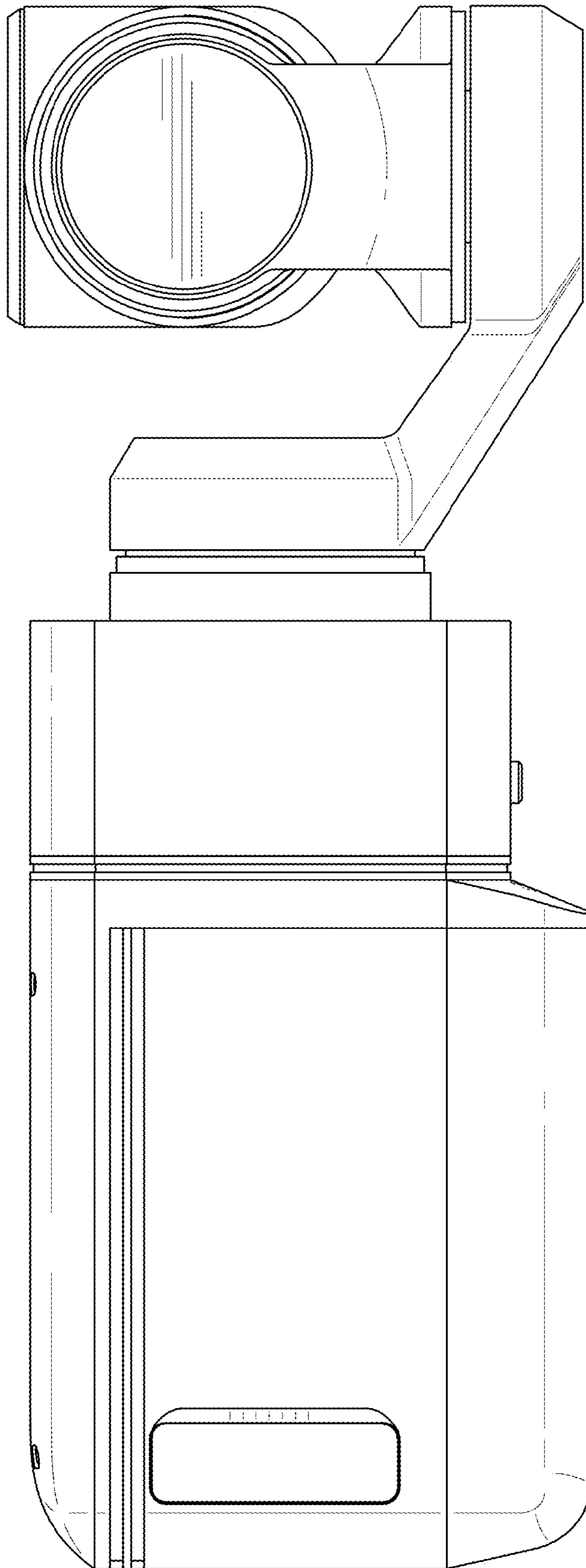


FIG. 5

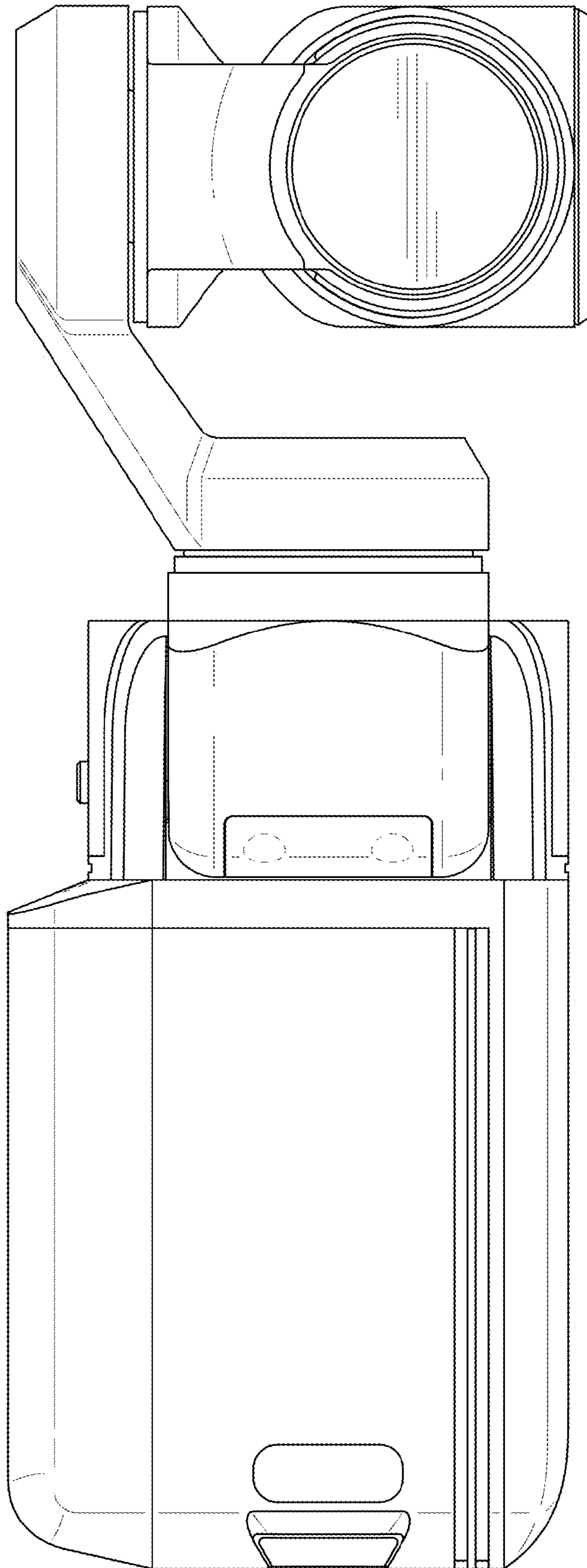


FIG. 6

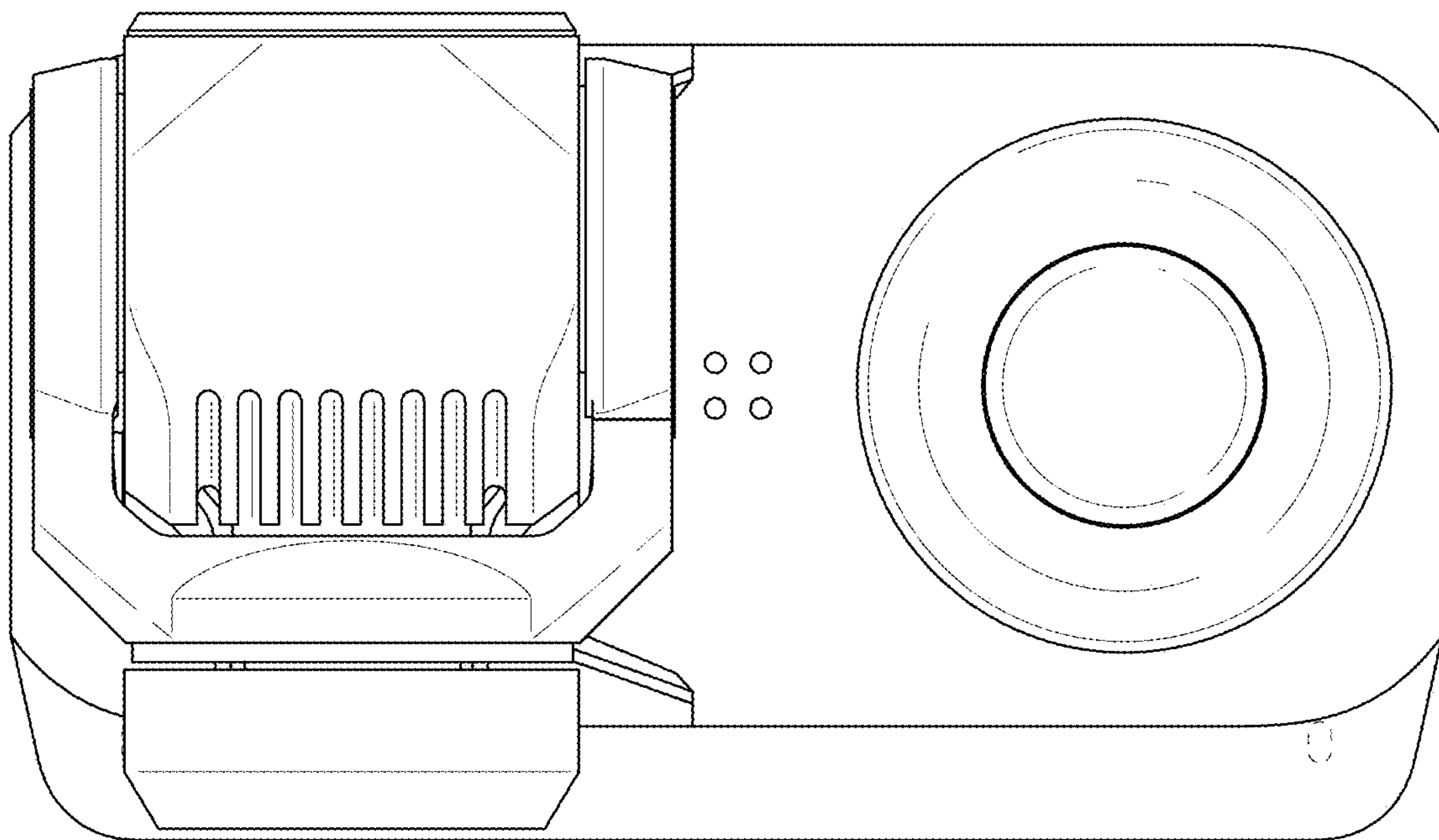


FIG. 7

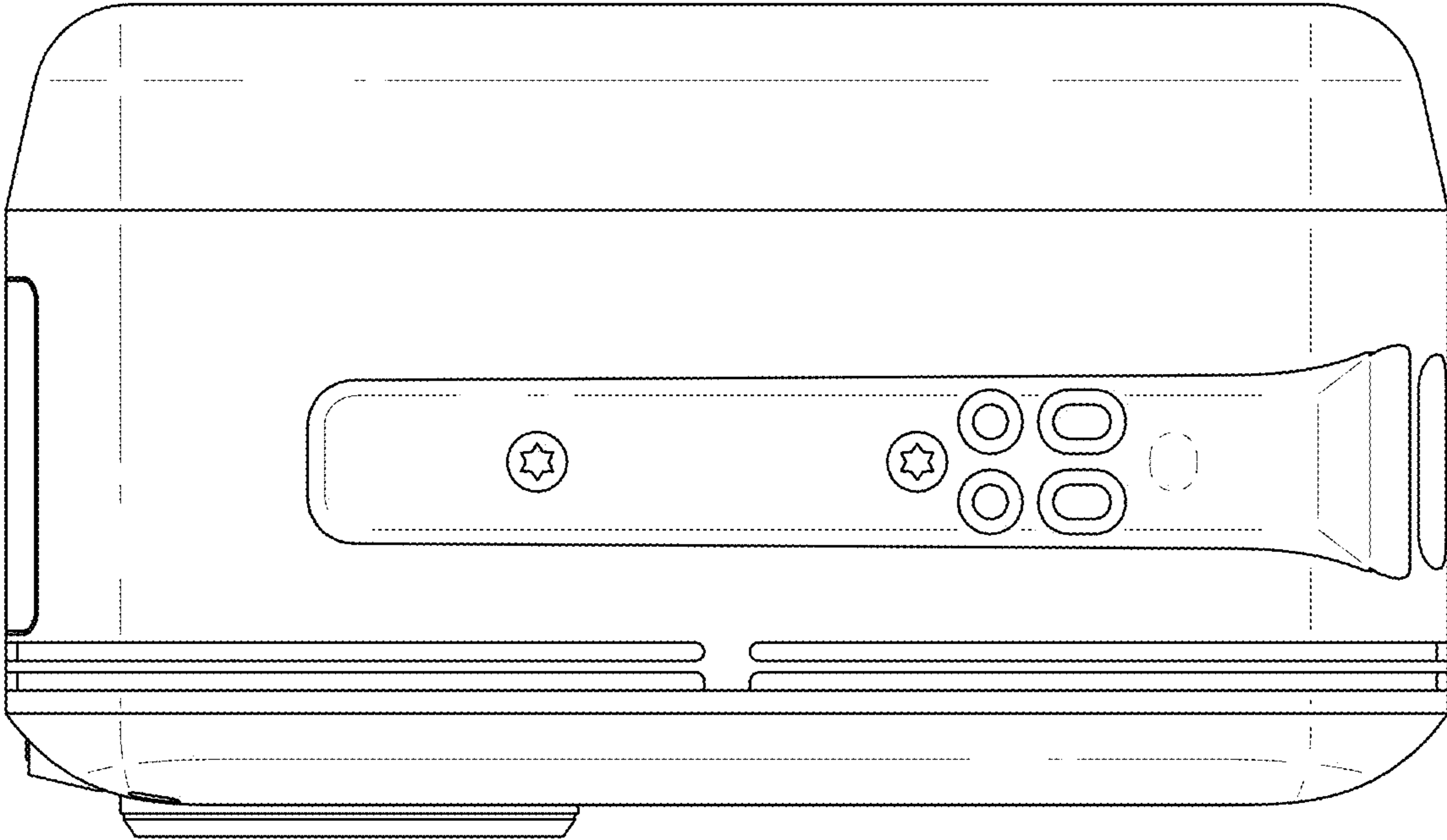


FIG. 8