



US00D916166S

(12) **United States Design Patent**
Li

(10) **Patent No.:** **US D916,166 S**
(45) **Date of Patent:** **** Apr. 13, 2021**

(54) **IP CAMERA**

(71) Applicant: **Amovision Technology Co., Ltd.**,
Shenzhen (CN)

(72) Inventor: **Wenjun Li**, Wuhan (CN)

(**) Term: **15 Years**

(21) Appl. No.: **29/715,550**

(22) Filed: **Dec. 3, 2019**

(30) **Foreign Application Priority Data**

Nov. 15, 2019 (CN) 201930629208.3

(51) **LOC (13) Cl.** **16-01**

(52) **U.S. Cl.**
USPC **D16/203**

(58) **Field of Classification Search**

USPC D16/200–204, 208, 218, 219; 348/143,
348/148, 151, 360, 373–376; 396/419,
396/427–429, 433, 529, 535, 537–541

CPC G03B 15/03; G03B 17/02; G03B 17/04;
G03B 17/48; G03B 17/56; G03B 19/04;
G08G 1/0175; H04N 5/2251; H04N
5/2252; H04N 5/2253; H04N 5/2254

See application file for complete search history.

(56) **References Cited**

U.S. PATENT DOCUMENTS

D575,316 S * 8/2008 Liu D16/202
D624,108 S * 9/2010 Wang D16/219

D649,573 S * 11/2011 Al D16/203
D692,473 S * 10/2013 Kawaguchi D16/202
D697,119 S * 1/2014 Park D16/203
D813,925 S * 3/2018 Park D16/203
D863,398 S * 10/2019 Huang D16/203
D863,399 S * 10/2019 Li D16/203
D863,404 S * 10/2019 Karpenko D16/218
D873,321 S * 1/2020 Siminoff D16/203
D887,474 S * 6/2020 Yeh D16/203
D898,801 S * 10/2020 Wu D16/203

* cited by examiner

Primary Examiner — Ramzi S Almatrahi

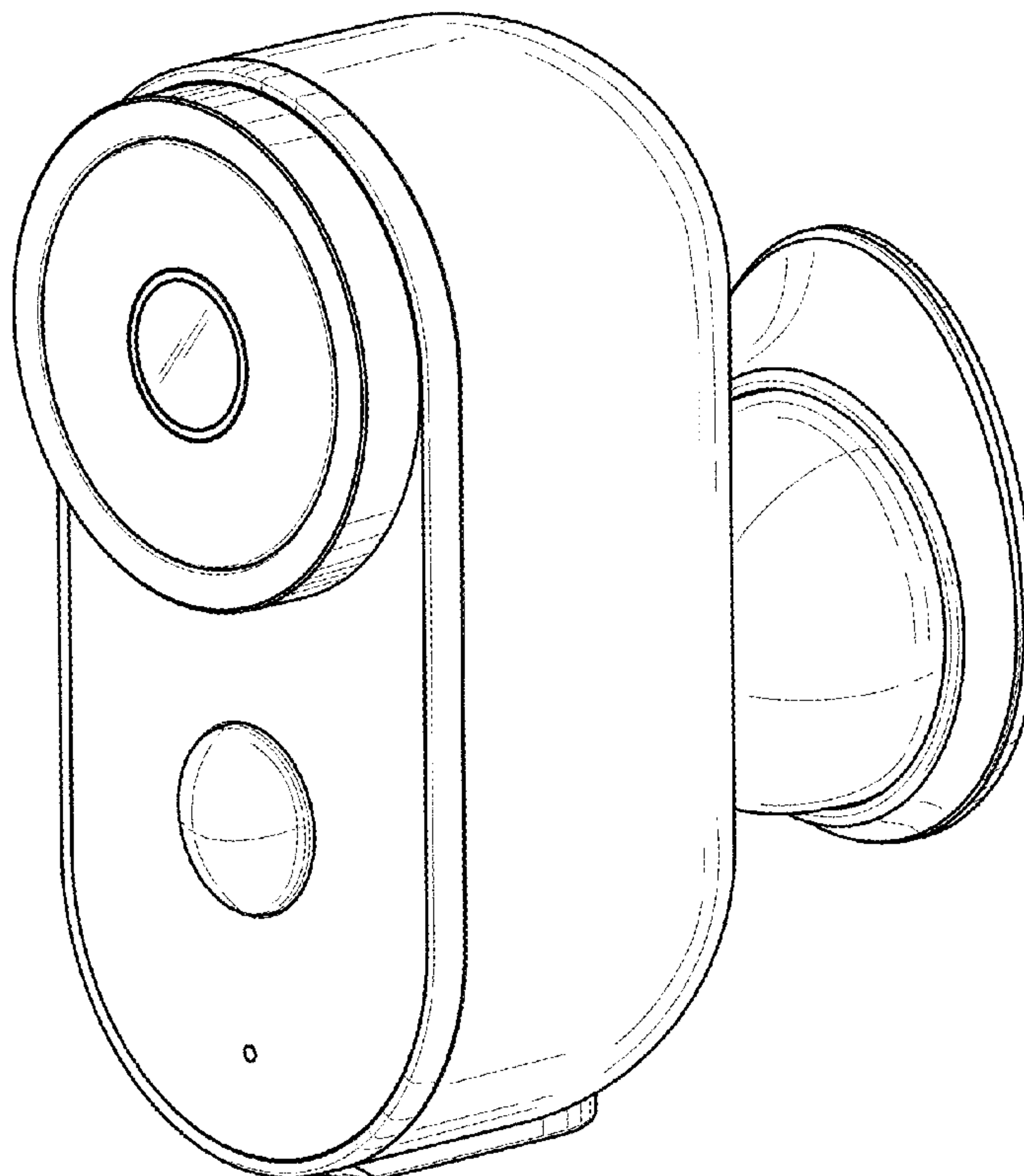
(57) **CLAIM**

The ornamental design for an IP camera, as shown and described.

DESCRIPTION

FIG. 1 is a front perspective view of an IP camera showing my new design;
FIG. 2 is a front view thereof;
FIG. 3 is a back view thereof;
FIG. 4 is a left side view thereof;
FIG. 5 is a right side view thereof;
FIG. 6 is a top view thereof; and,
FIG. 7 is a bottom view thereof.
The broken lines shown in the figures are included for the purpose of illustrating portions of the IP Camera that form no part of the claimed design.

1 Claim, 7 Drawing Sheets



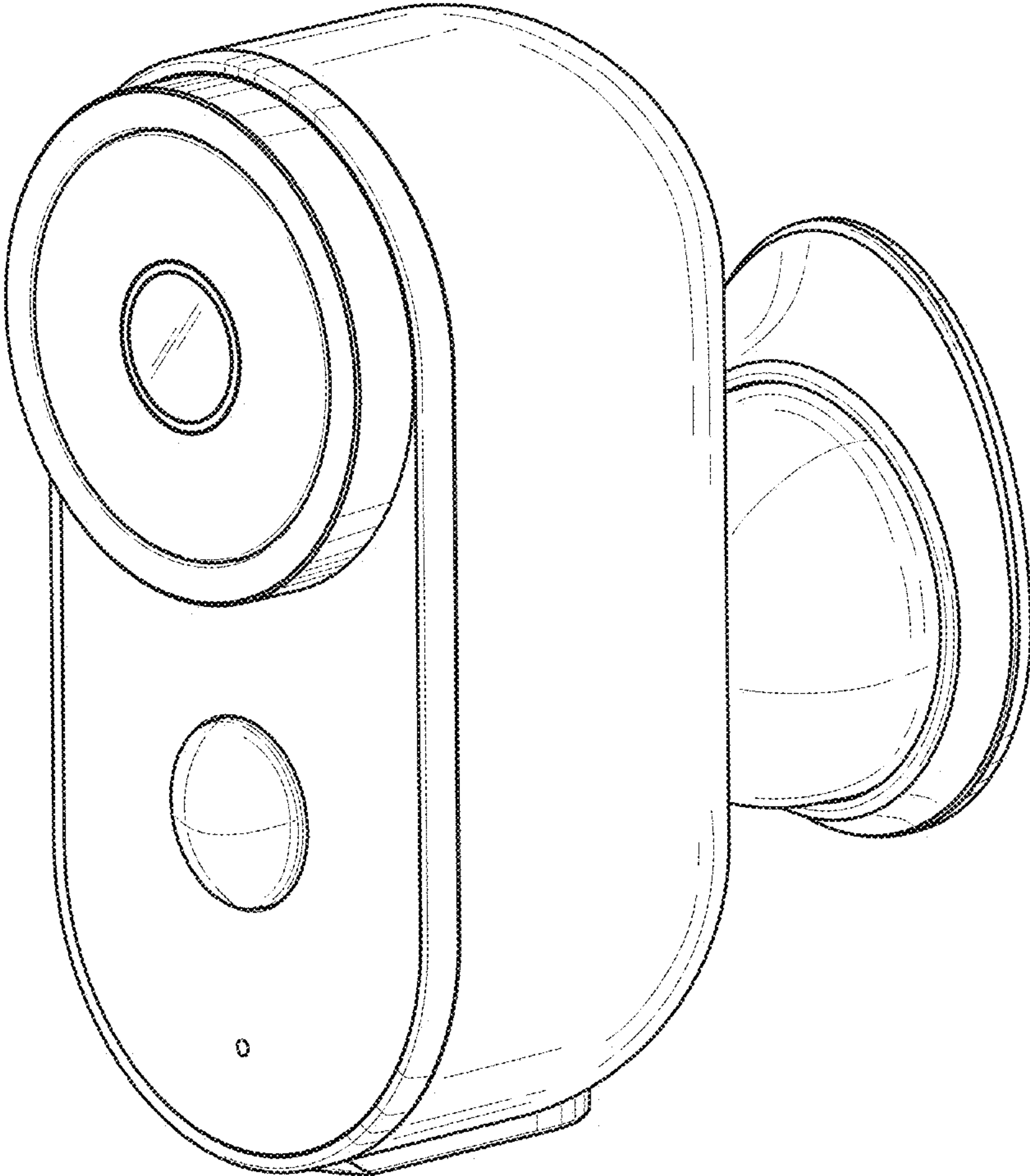


FIG.1

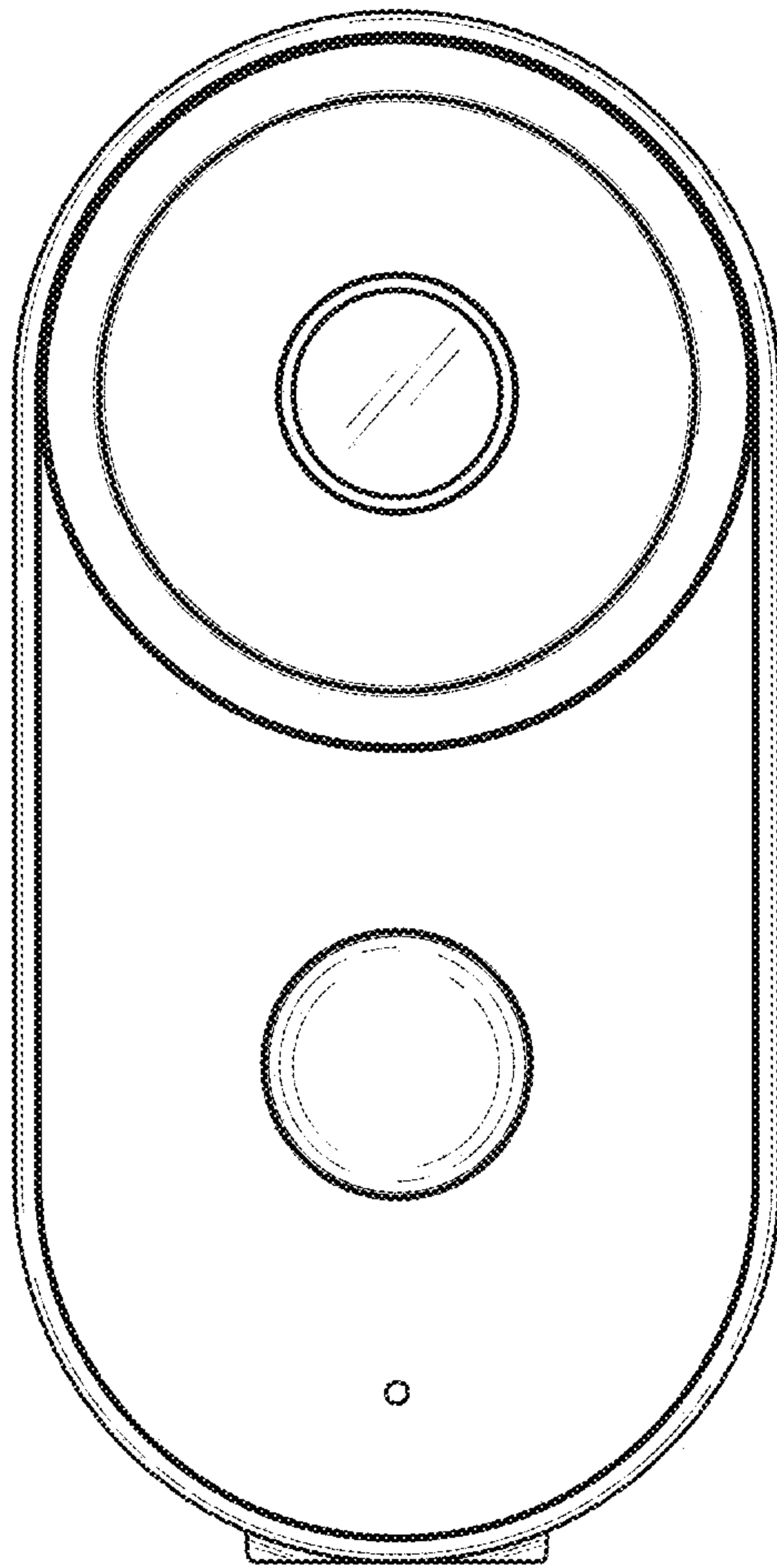


FIG. 2

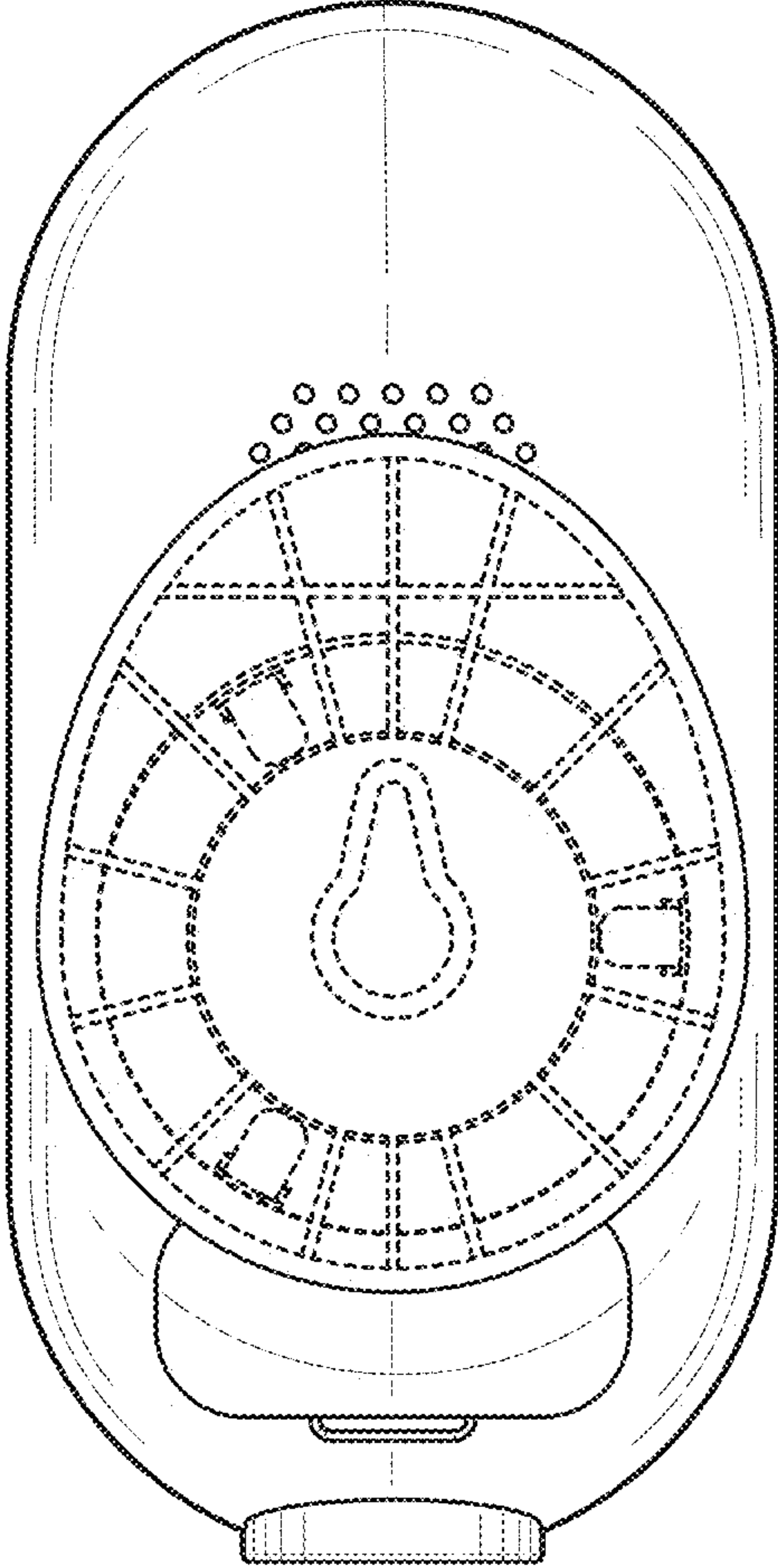


FIG.3

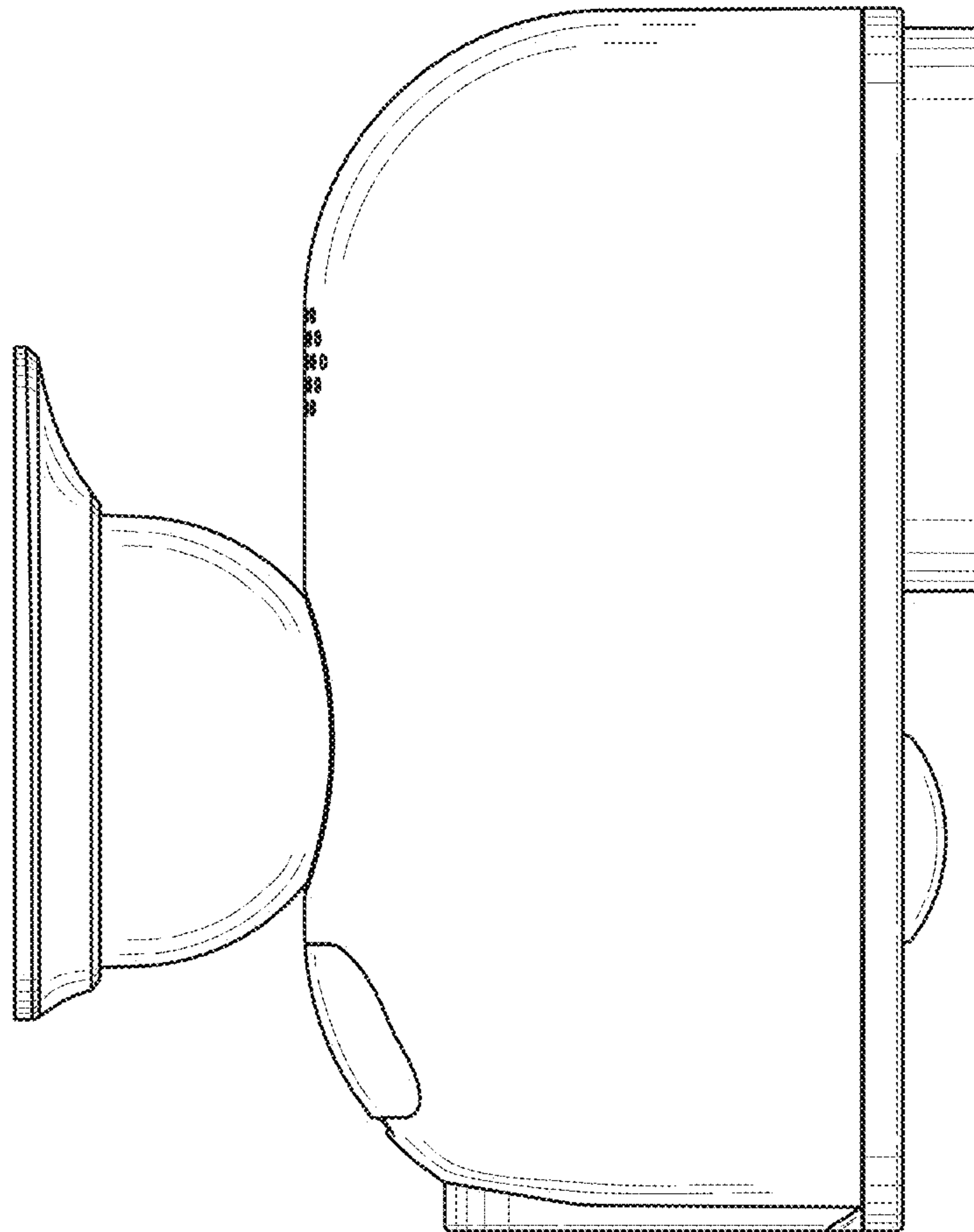


FIG.4

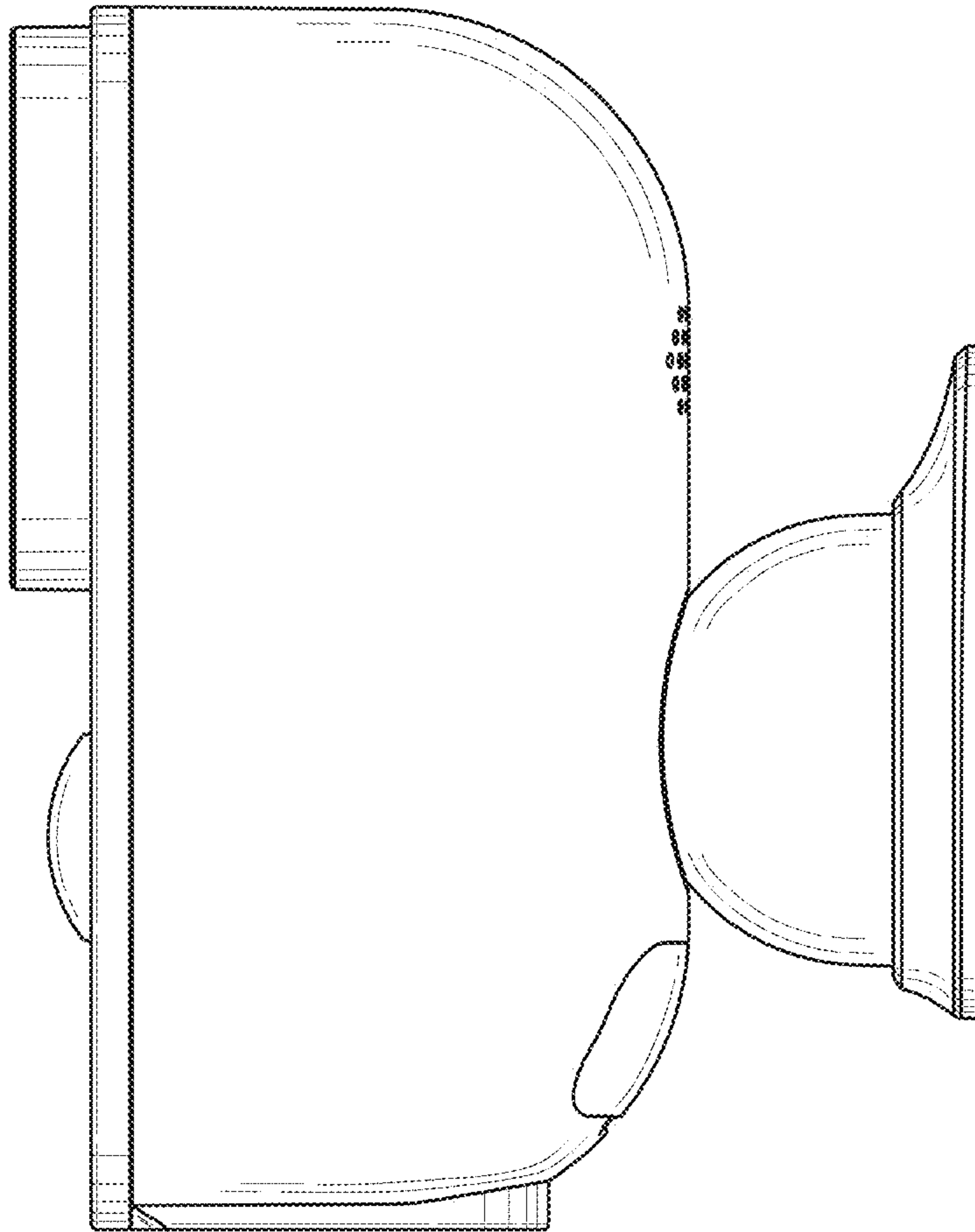


FIG. 5

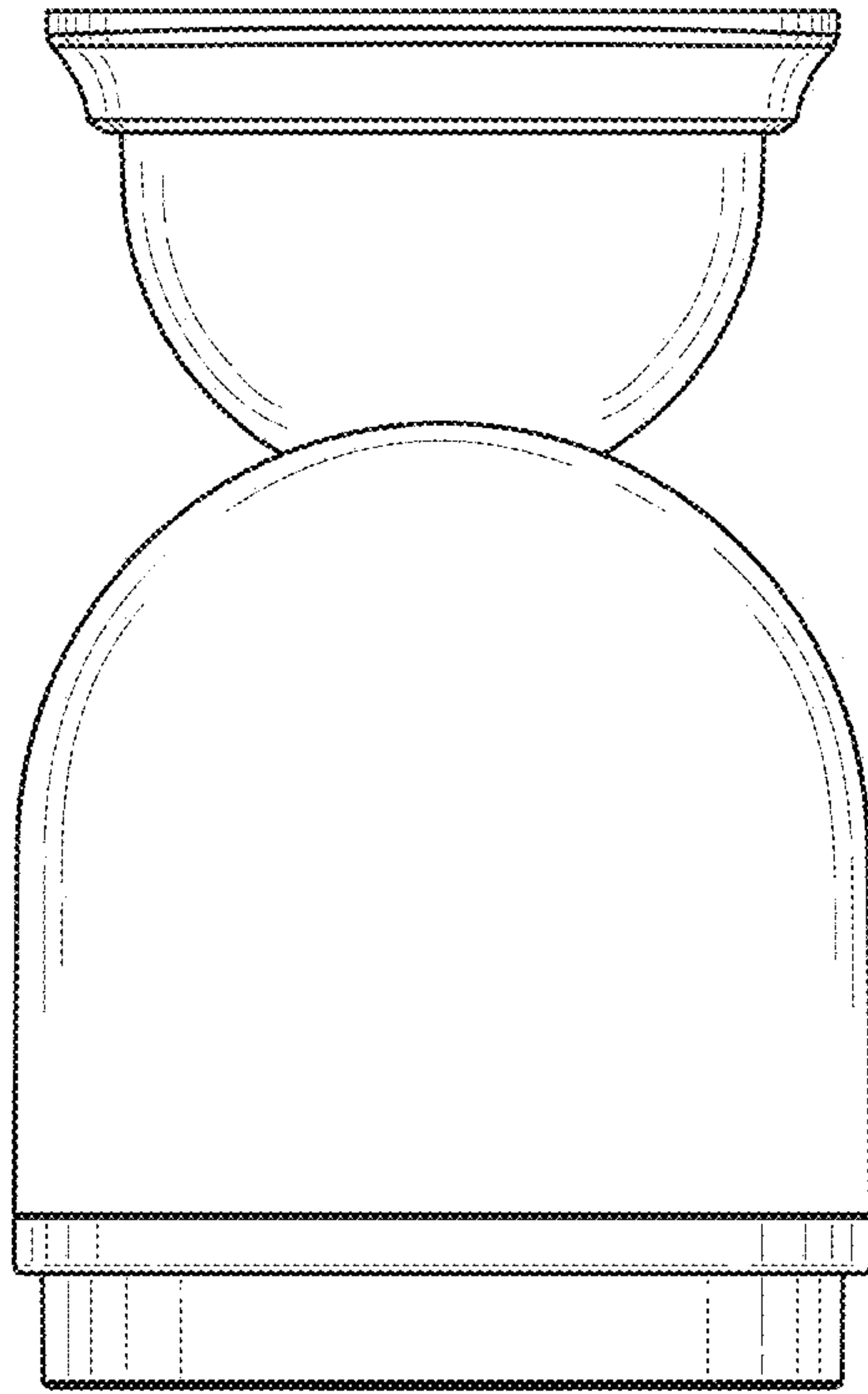


FIG.6

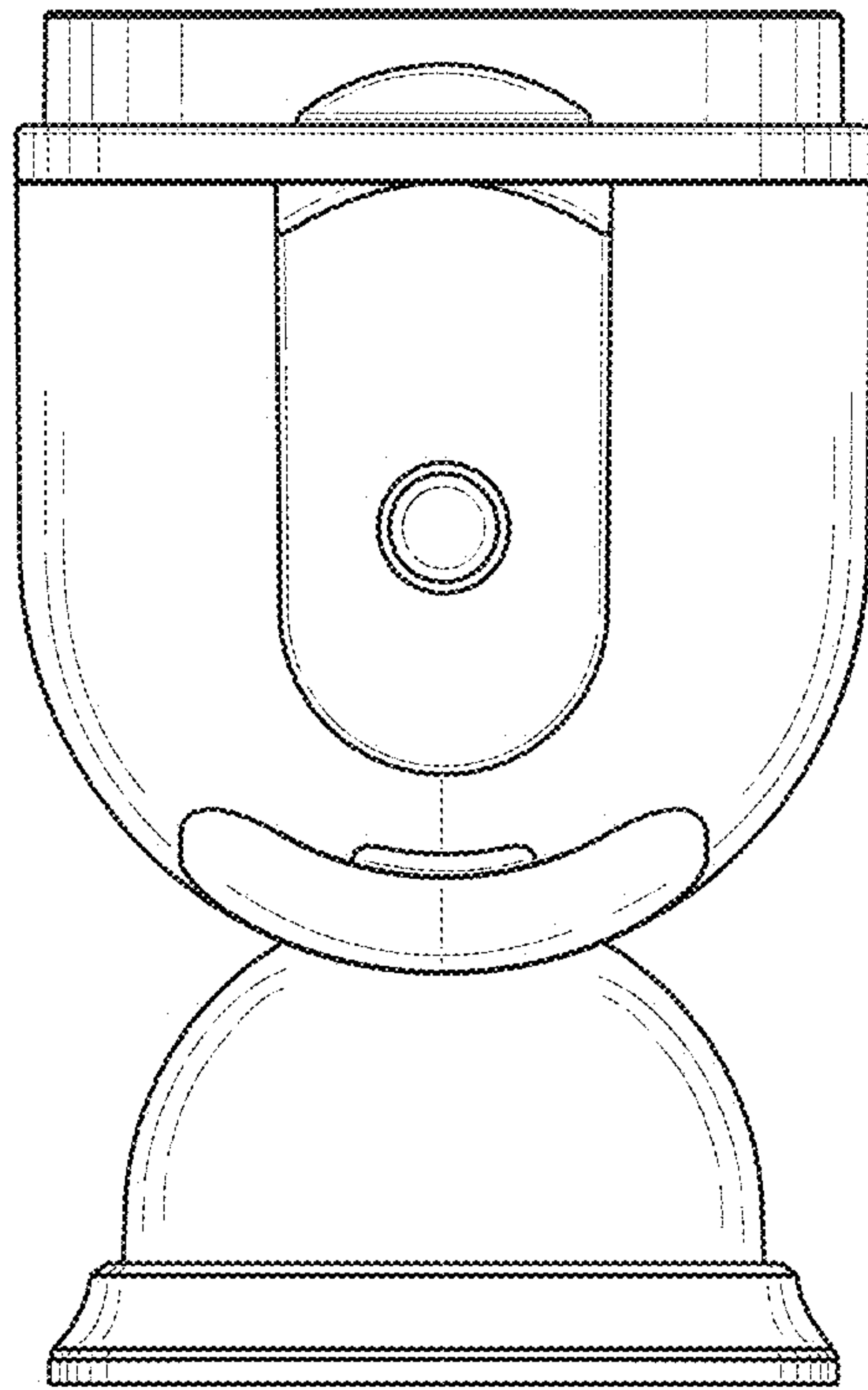


FIG. 7