



US00D916165S

(12) **United States Design Patent**
Wang

(10) **Patent No.:** **US D916,165 S**

(45) **Date of Patent:** **** Apr. 13, 2021**

(54) **MONITOR CAMERA**

(71) Applicant: **Zhufu Wang**, Jiangxi (CN)

(72) Inventor: **Zhufu Wang**, Jiangxi (CN)

(**) Term: **15 Years**

(21) Appl. No.: **29/706,080**

(22) Filed: **Sep. 18, 2019**

(51) **LOC (13) Cl.** **16-01**

(52) **U.S. Cl.**
USPC **D16/203**

(58) **Field of Classification Search**
USPC D16/200, 202–206, 218, 219, 242;
348/143, 148, 151, 373–376; 396/419,
396/427, 535, 539–541
CPC G03B 17/02; G03B 19/04; G03B 17/56;
G03B 17/04; G03B 15/03; H04N 5/2251;
H04N 5/2252; H04N 5/2253; H04N
5/2254; H04N 7/181; H04N 7/183; H04N
7/18; G08B 13/1963; G08B 13/19619;
G08B 13/19632; F16M 11/04; F16M
13/00
See application file for complete search history.

(56) **References Cited**

U.S. PATENT DOCUMENTS

D552,650 S * 10/2007 Yamakawa D16/203
D609,732 S * 2/2010 Frank D16/203

D704,240 S * 5/2014 McBride D16/203
D723,395 S * 3/2015 Dispenza D10/53
D751,619 S * 3/2016 Jeong D16/203
D753,204 S * 4/2016 Luo D16/202
D813,290 S * 3/2018 Song D16/203
D819,106 S * 5/2018 Elmieh D16/202
D867,425 S * 11/2019 Shuai D16/203
D870,180 S * 12/2019 Qiu D16/203
D881,256 S * 4/2020 Tseng D16/203
D884,768 S * 5/2020 Liu D16/203
D890,831 S * 7/2020 Zheng D16/203

* cited by examiner

Primary Examiner — Ramzi S Almatrahi

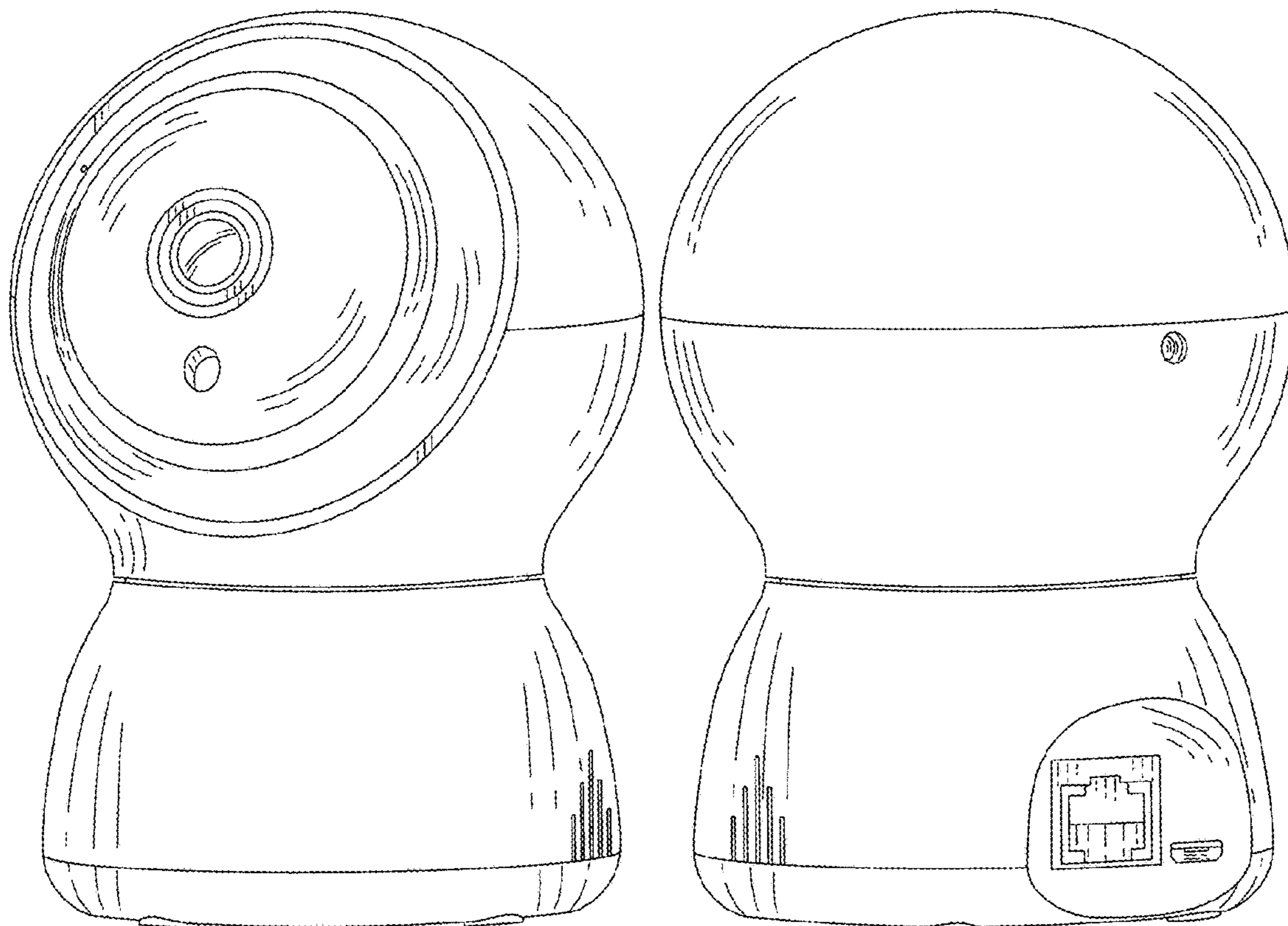
(57) **CLAIM**

The ornamental design for a monitor camera, as shown and described.

DESCRIPTION

FIG. 1 is a front and right side perspective view of a monitor camera showing my new design;
FIG. 2 is a front elevational view thereof;
FIG. 3 is a rear elevational view thereof;
FIG. 4 is a left side elevational view thereof;
FIG. 5 is a right side elevational view thereof;
FIG. 6 is a top plan view thereof;
FIG. 7 is a bottom plan view thereof; and,
FIG. 8 is a rear and right side perspective view thereof.
The broken lines in the drawings depict portions of the monitor camera that form no part of the claimed design.

1 Claim, 8 Drawing Sheets



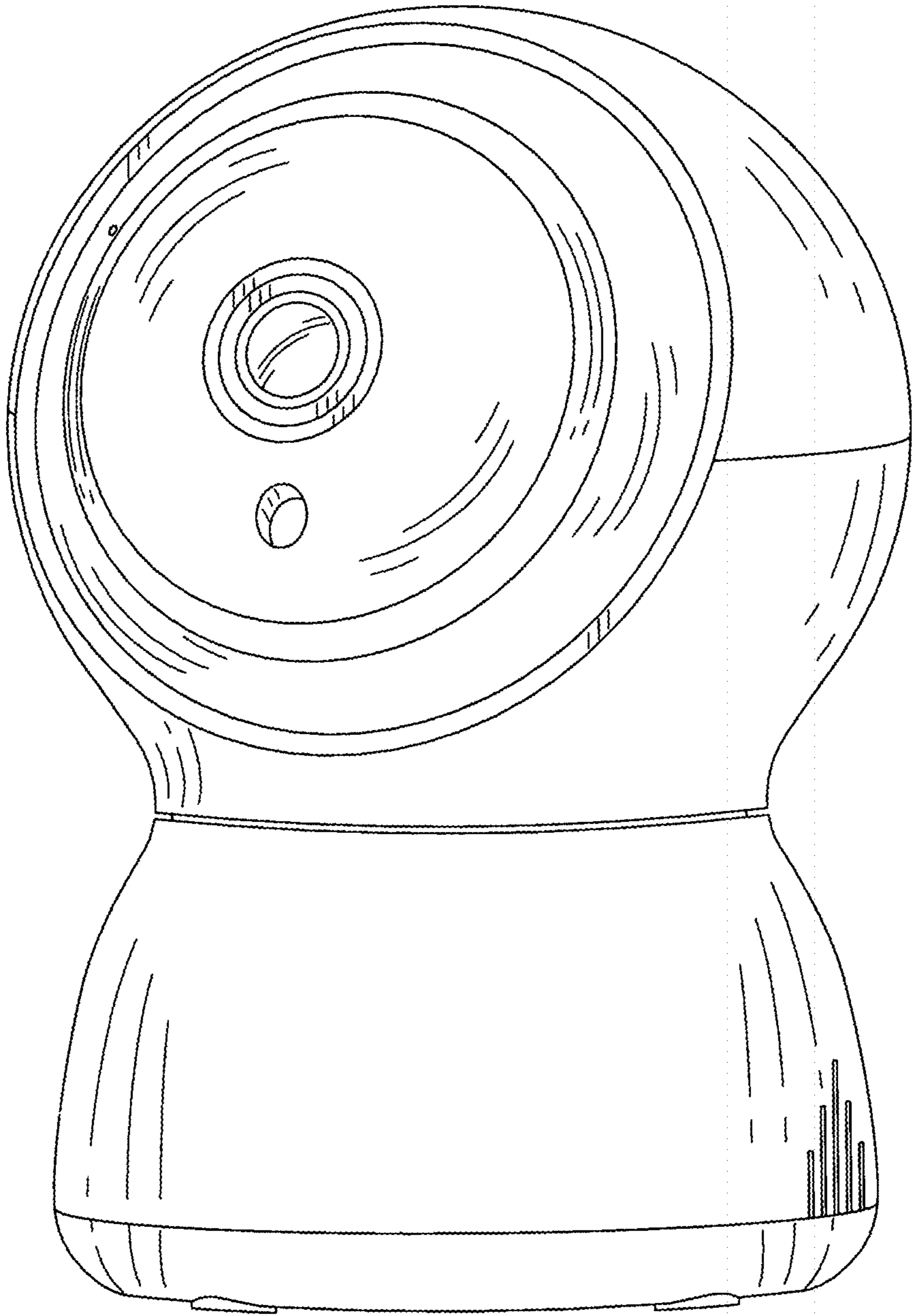


FIG. 1

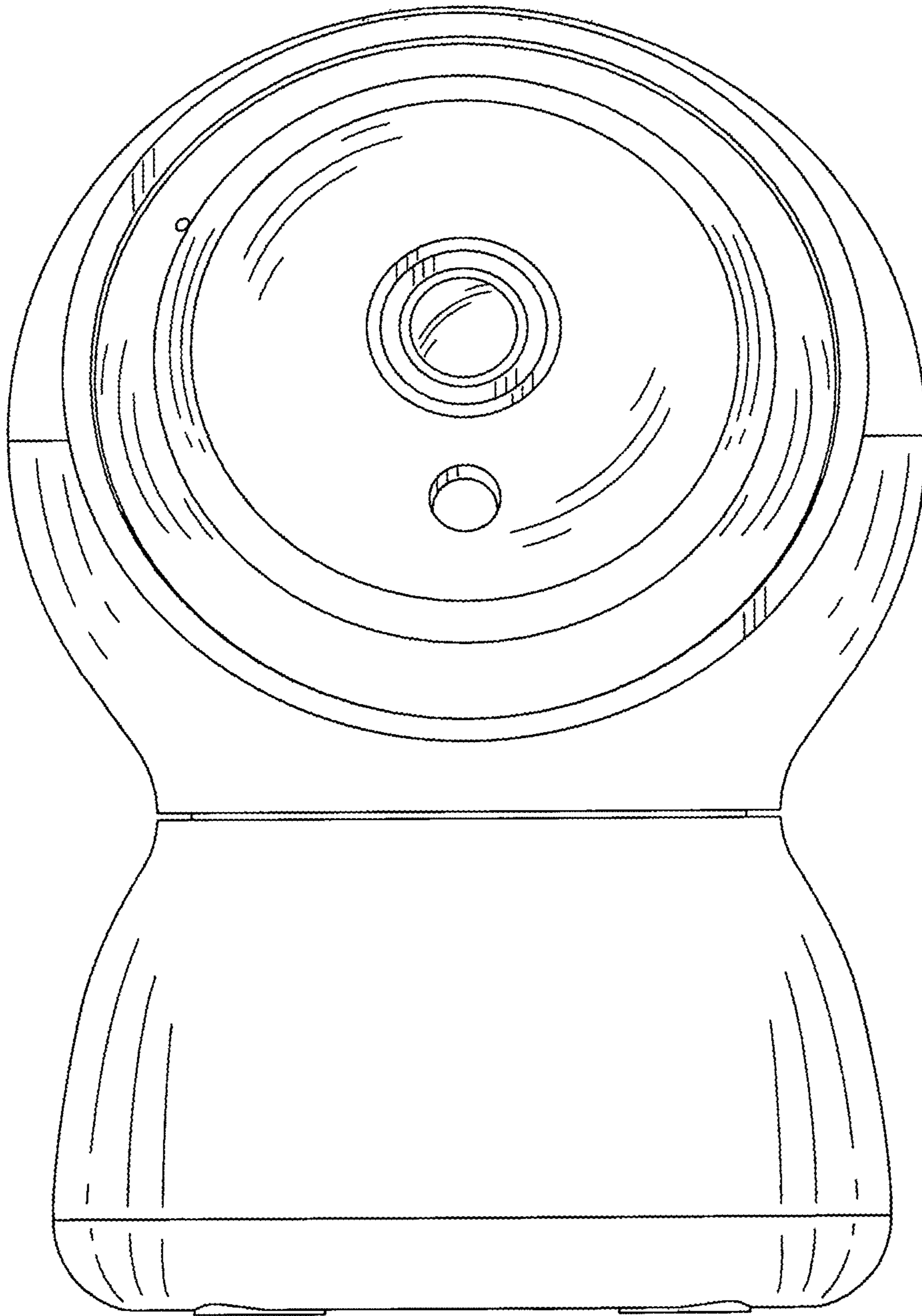


FIG. 2

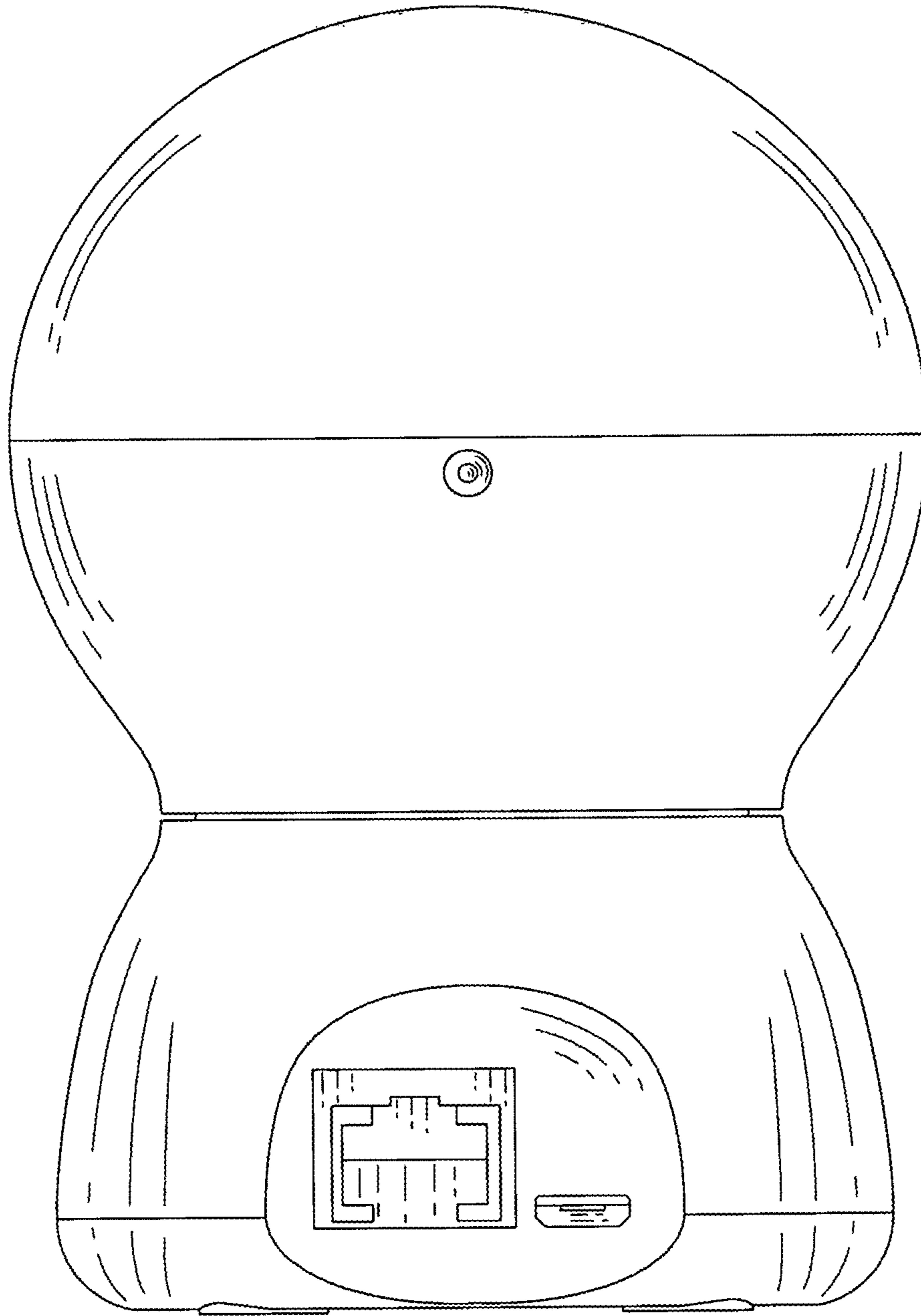


FIG. 3

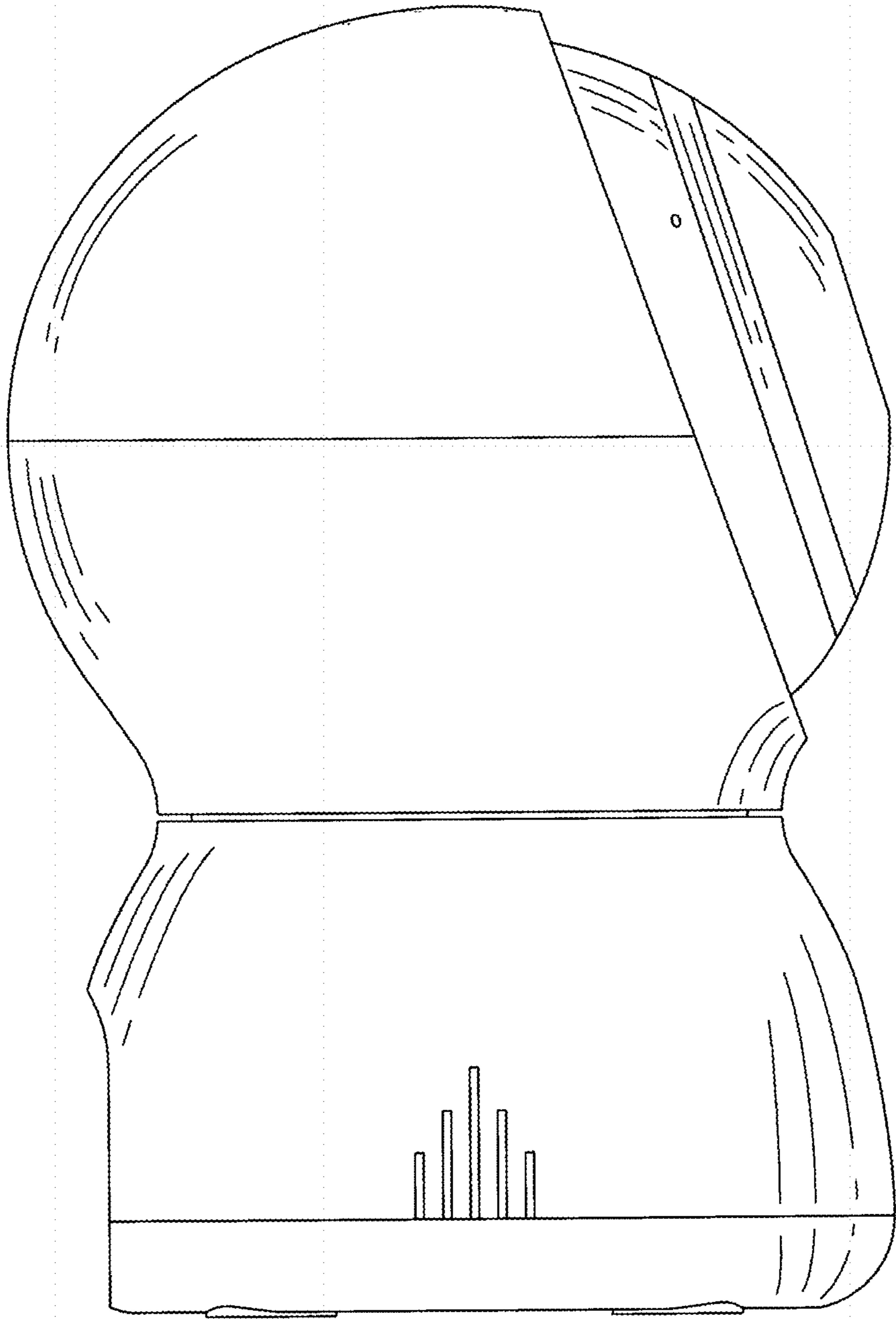


FIG. 4

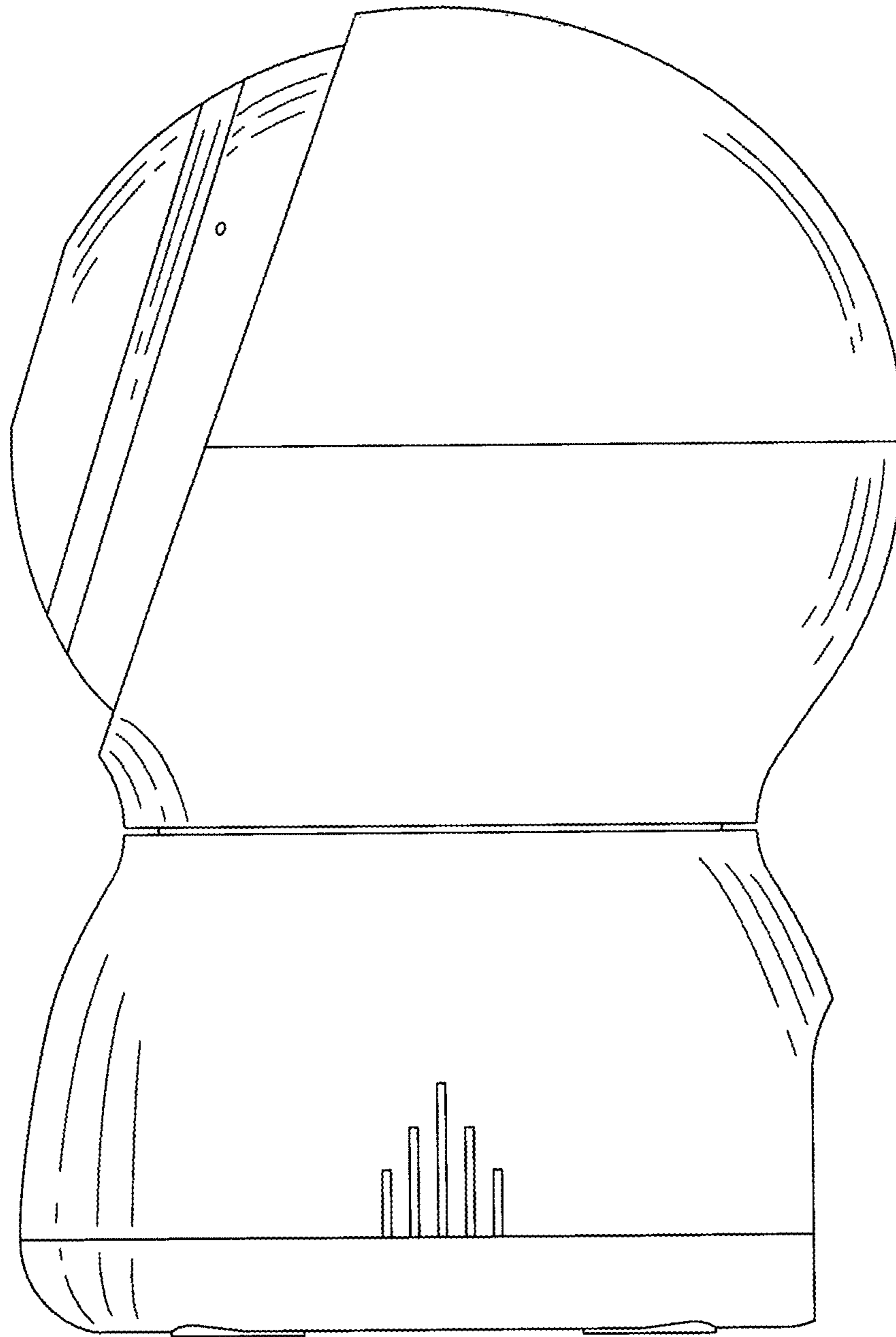


FIG. 5

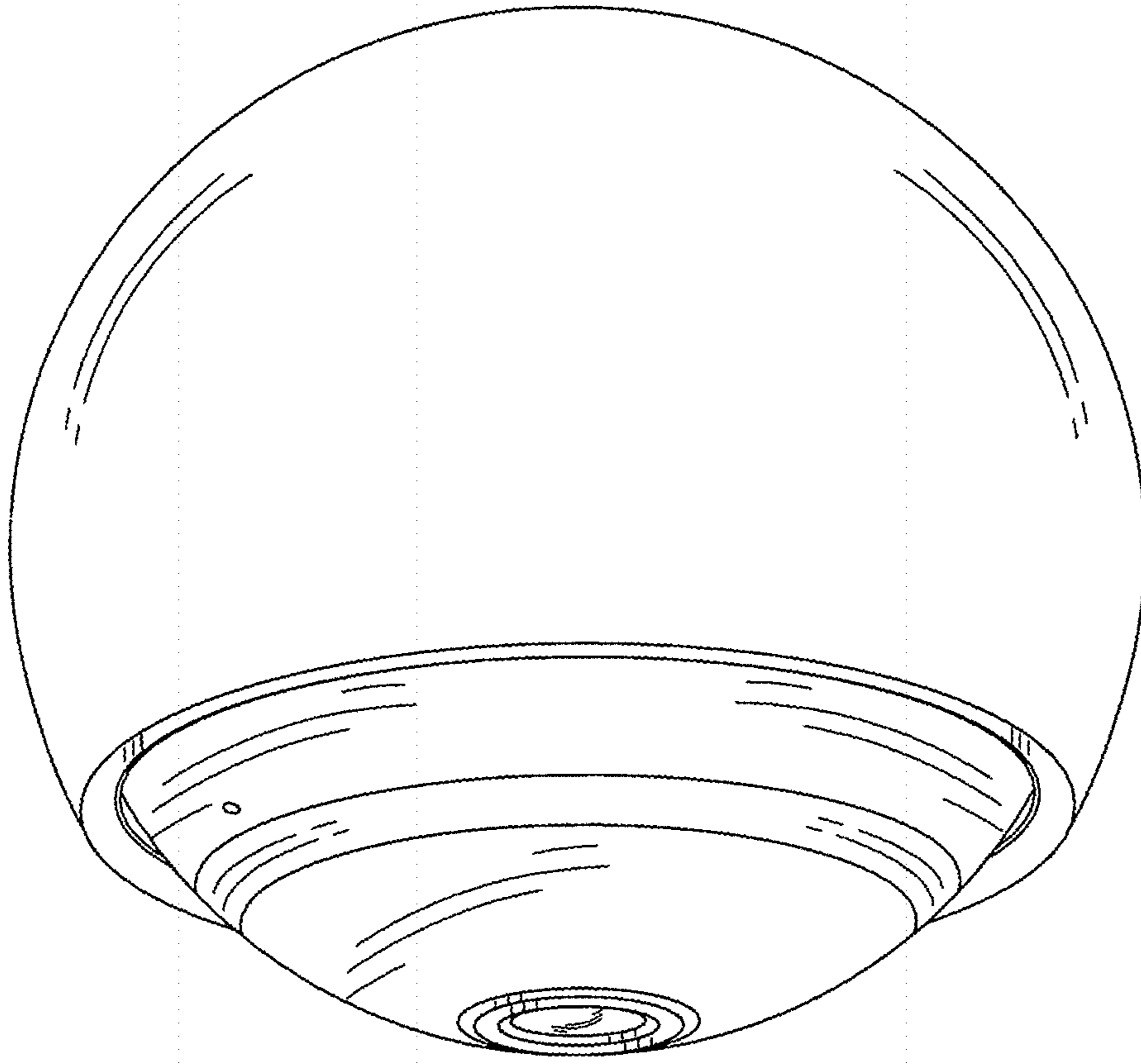


FIG. 6

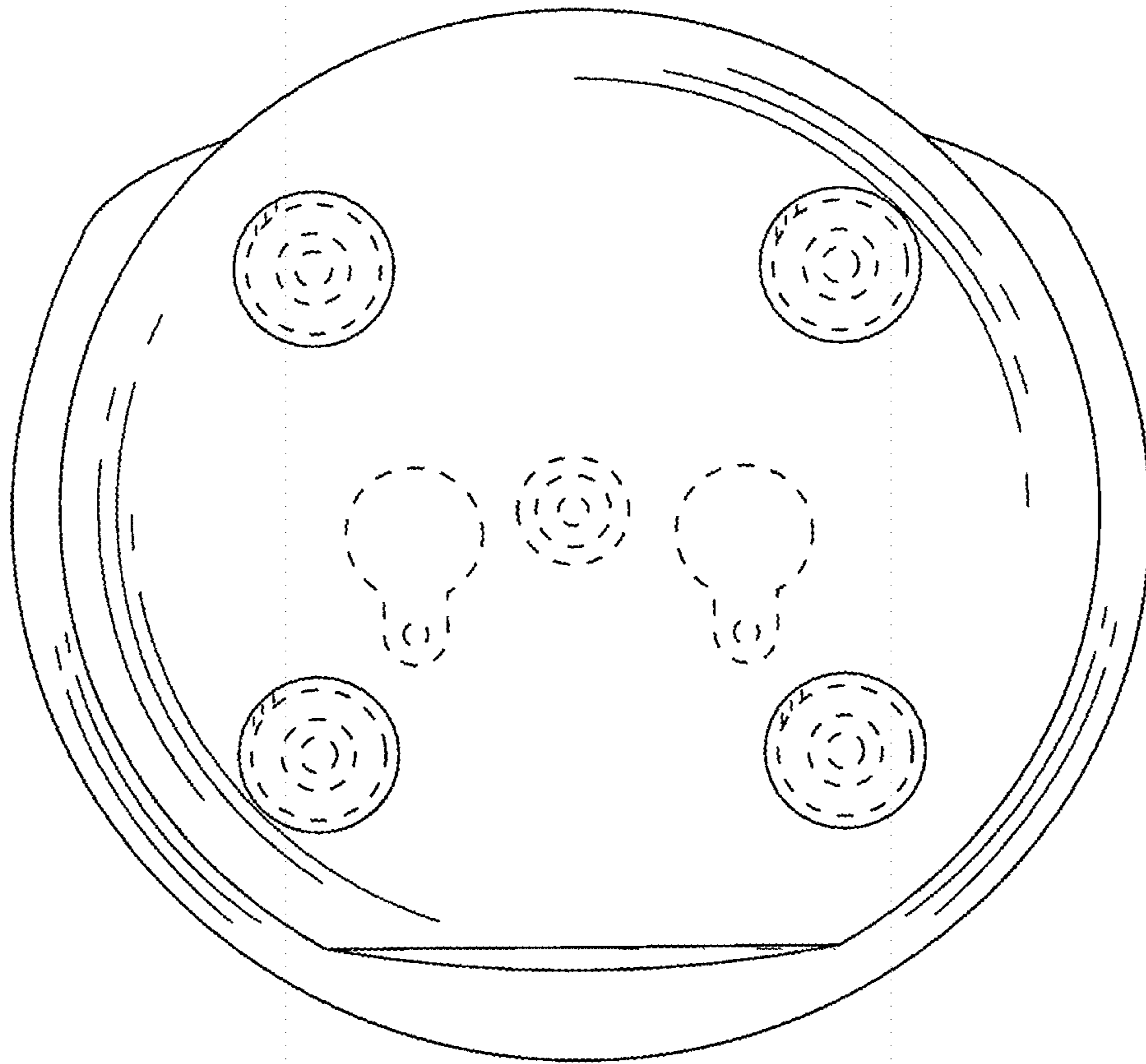


FIG. 7

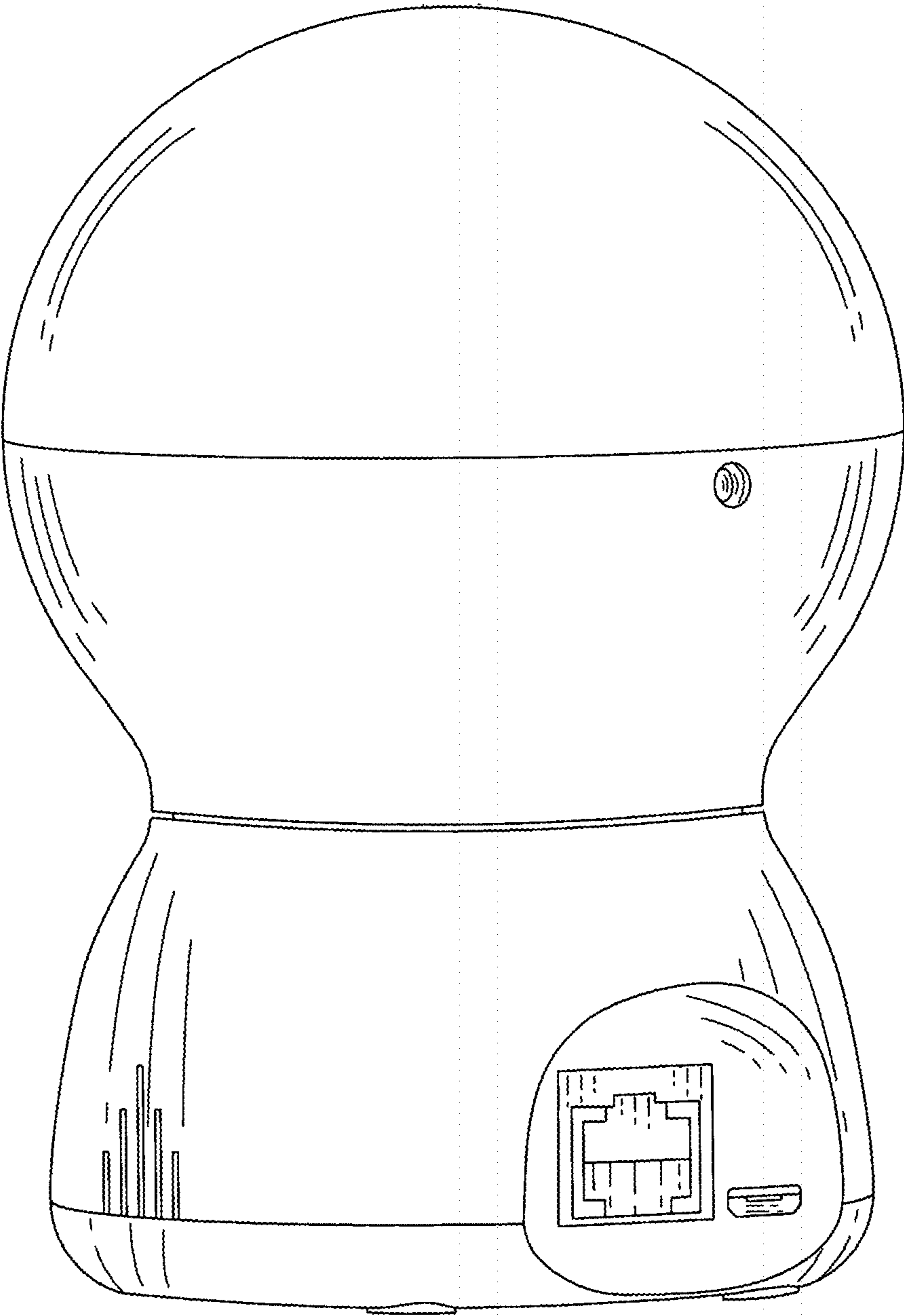


FIG. 8